



US00D396971S

United States Patent [19]
Svensson

[11] **Patent Number: Des. 396,971**

[45] **Date of Patent: **Aug. 18, 1998**

[54] **ADJUSTABLE TABLE**

[76] **Inventor: Jan-Aake Svensson, Hoenetorp,
Vislanda, Sweden, 34030**

[**] **Term: 14 Years**

[21] **Appl. No.: 69,090**

[22] **Filed: Apr. 10, 1997**

[30] **Foreign Application Priority Data**

Oct. 14, 1996 [SE] Sweden 96-2132

[51] **LOC (6) Cl. 06-03**

[52] **U.S. Cl. D6/429; D6/480; D6/483;
D6/487**

[58] **Field of Search D6/480-489, 429,
D6/495-499, 420, 400; 108/153, 155, 156,
157; 248/188.1, 188.8**

[56] **References Cited**

U.S. PATENT DOCUMENTS

D. 155,799 11/1949 Gearhart D6/420

D. 269,395 6/1983 Kapp D6/420
4,196,675 4/1980 Cook D6/487 X
4,313,589 2/1982 Vega D6/420 X
4,714,224 12/1987 Calmes 248/164

FOREIGN PATENT DOCUMENTS

51452 5/1991 Sweden .

Primary Examiner—Janice E. Seeger
Attorney, Agent, or Firm—Richard M. Goldberg

[57] **CLAIM**

The ornamental design for an adjustable table, as shown and described.

DESCRIPTION

FIG. 1 is a perspective view of the top, front and left side of the adjustable table in accordance with the invention and in an intermediate unlockable locked position;
FIG. 2 is a perspective view of the top, rear and left side thereof; and,
FIG. 3 is a perspective view of the bottom, front and right side thereof.

1 Claim, 3 Drawing Sheets

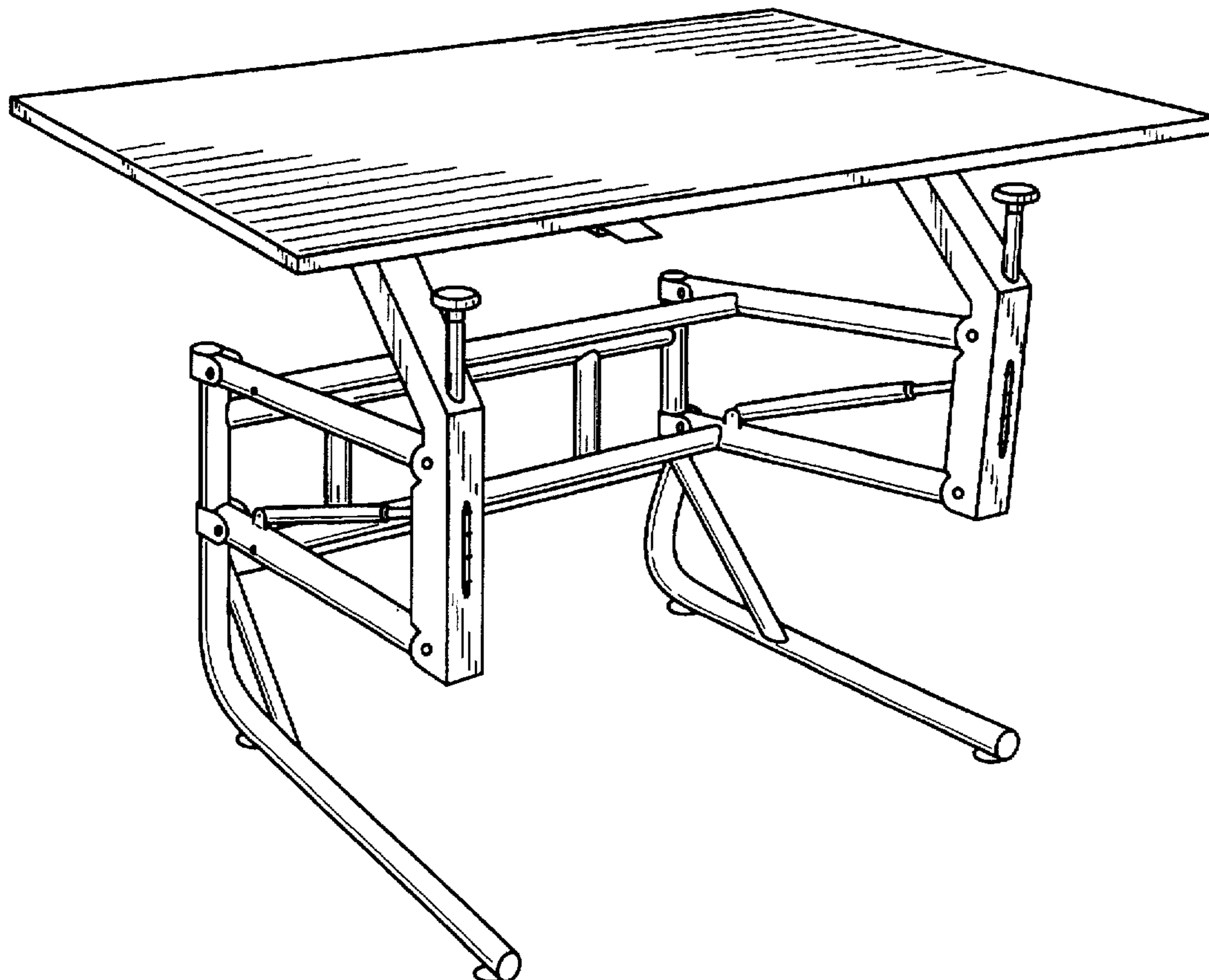


FIG. 1

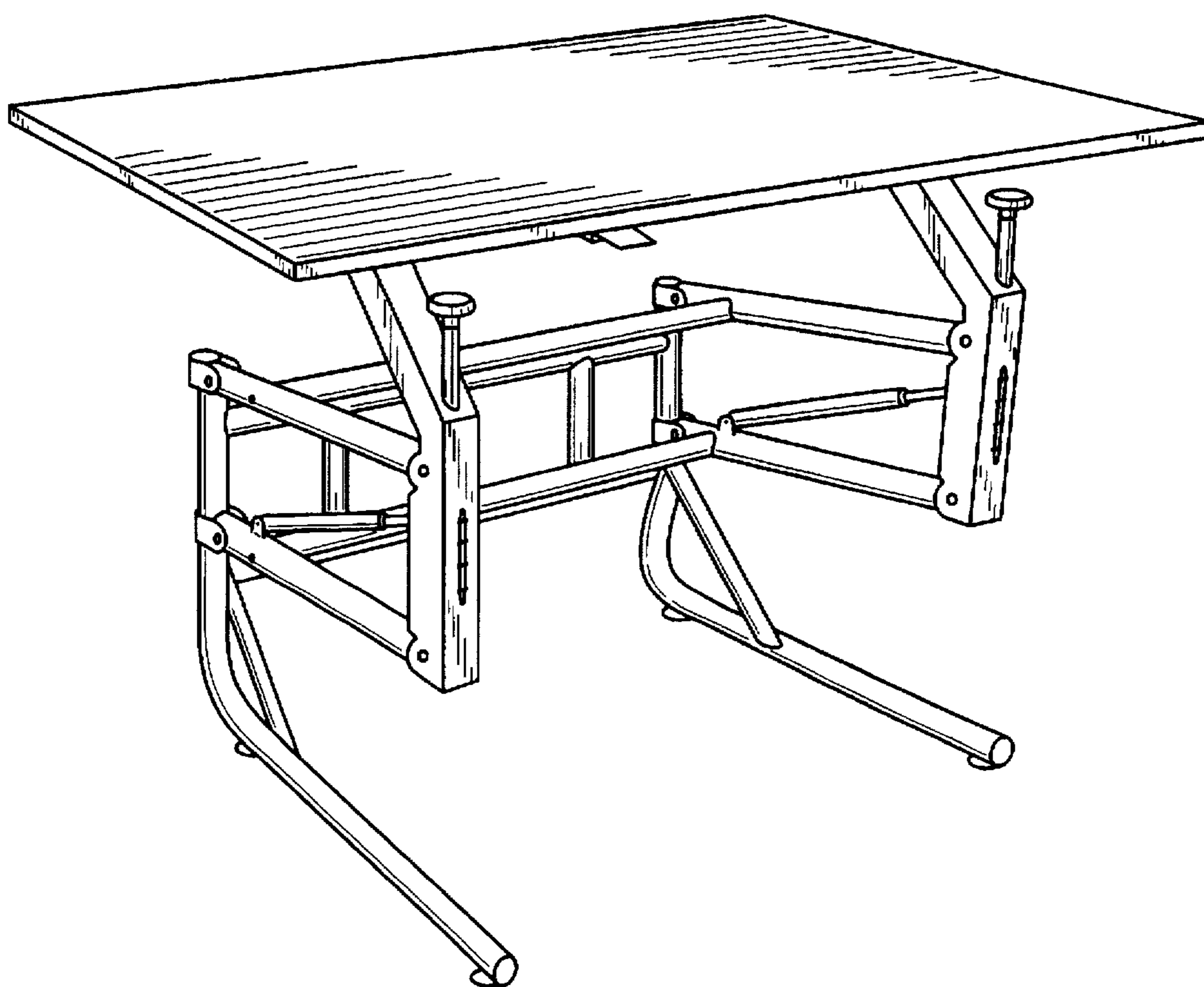


FIG. 2

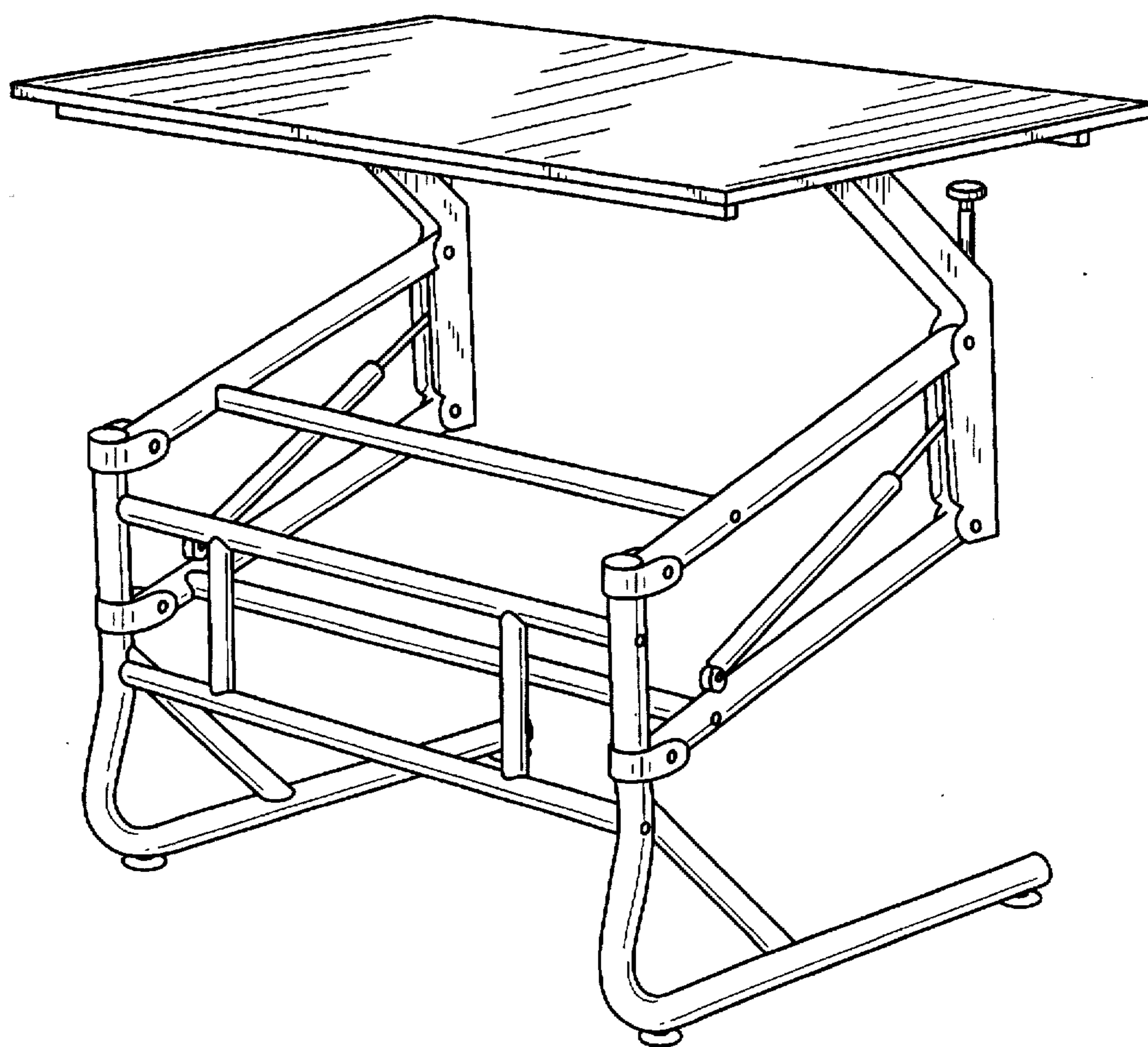


FIG. 3

