



US00D396969S

United States Patent [19]
Moor

[11] **Patent Number: Des. 396,969**

[45] **Date of Patent: **Aug. 18, 1998**

[54] **COMPACT DISK SHELF CASE SIDEWALL MEMBER**

5,183,177 2/1993 Yu 206/308.1 X
5,190,153 3/1993 Schultz et al. 206/308.1

[75] **Inventor: Marc Moor, Hilliard, Ohio**

Primary Examiner—Doris V. Coles

Assistant Examiner—Catherine R. Oliver

[73] **Assignee: The Mead Corporation, Dayton, Ohio**

Attorney, Agent, or Firm—Thompson Hine & Flory LLP

[**] **Term: 14 Years**

[57] **CLAIM**

[21] **Appl. No.: 62,326**

The ornamental design for a compact disk shelf case sidewall member, as shown and described.

[22] **Filed: Nov. 13, 1996**

DESCRIPTION

[51] **LOC (6) Cl. 06-04**

FIG. 1 is a partial top perspective view of a compact disk shelf case incorporating a compact disk shelf case sidewall member embodying my new design;

[52] **U.S. Cl. D6/407**

FIG. 2 is a front elevational view of the compact disk shelf case sidewall of FIG. 1 incorporating the compact disk shelf case member on its top and bottom ends;

[58] **Field of Search** D6/407, 630, 631,
D6/632, 633, 634; 206/308.1, 309, 310,
311, 312

FIG. 3 is a side view thereof; and,

FIG. 4 is a top plan view thereof.

[56] **References Cited**

U.S. PATENT DOCUMENTS

The dotted lines are for illustration only and do not constitute part of the claimed design.

D. 307,977 5/1990 Egly et al. D6/407 X
D. 337,668 7/1993 Van Der Molen D6/407
D. 347,959 6/1994 Sankey D6/407 X
5,050,734 9/1991 Chen 206/308.1

1 Claim, 3 Drawing Sheets

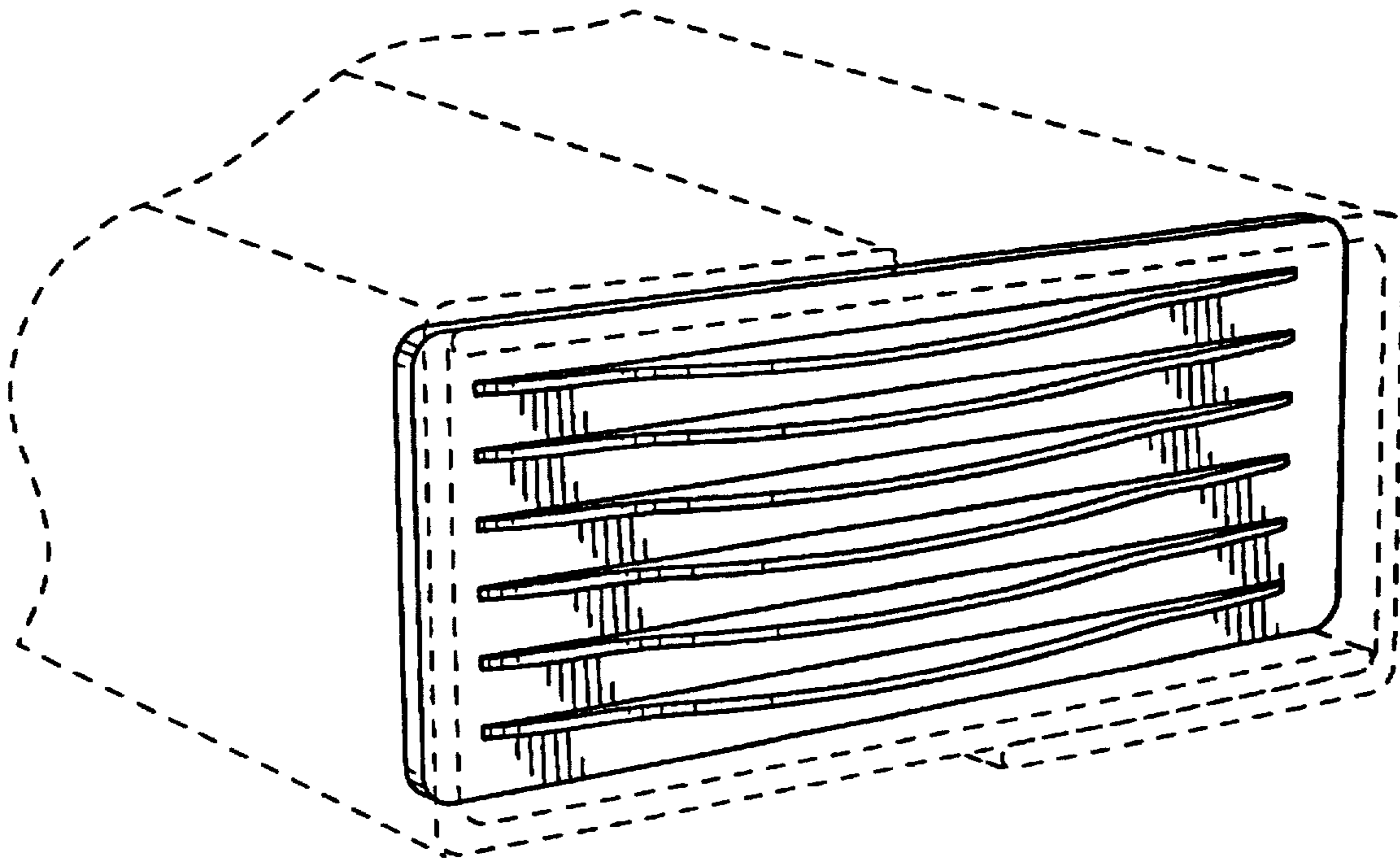


FIG. 1

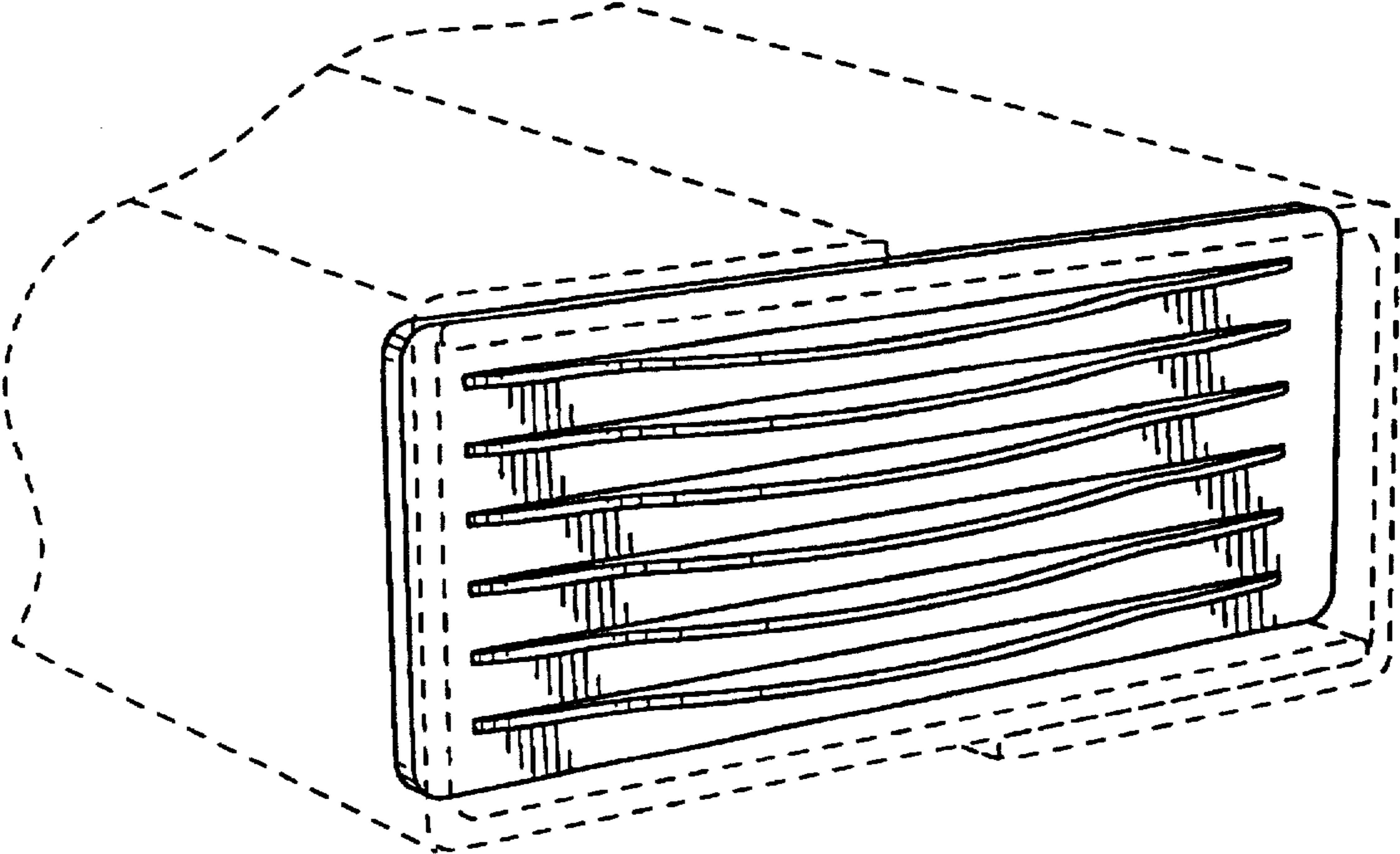


FIG. 2

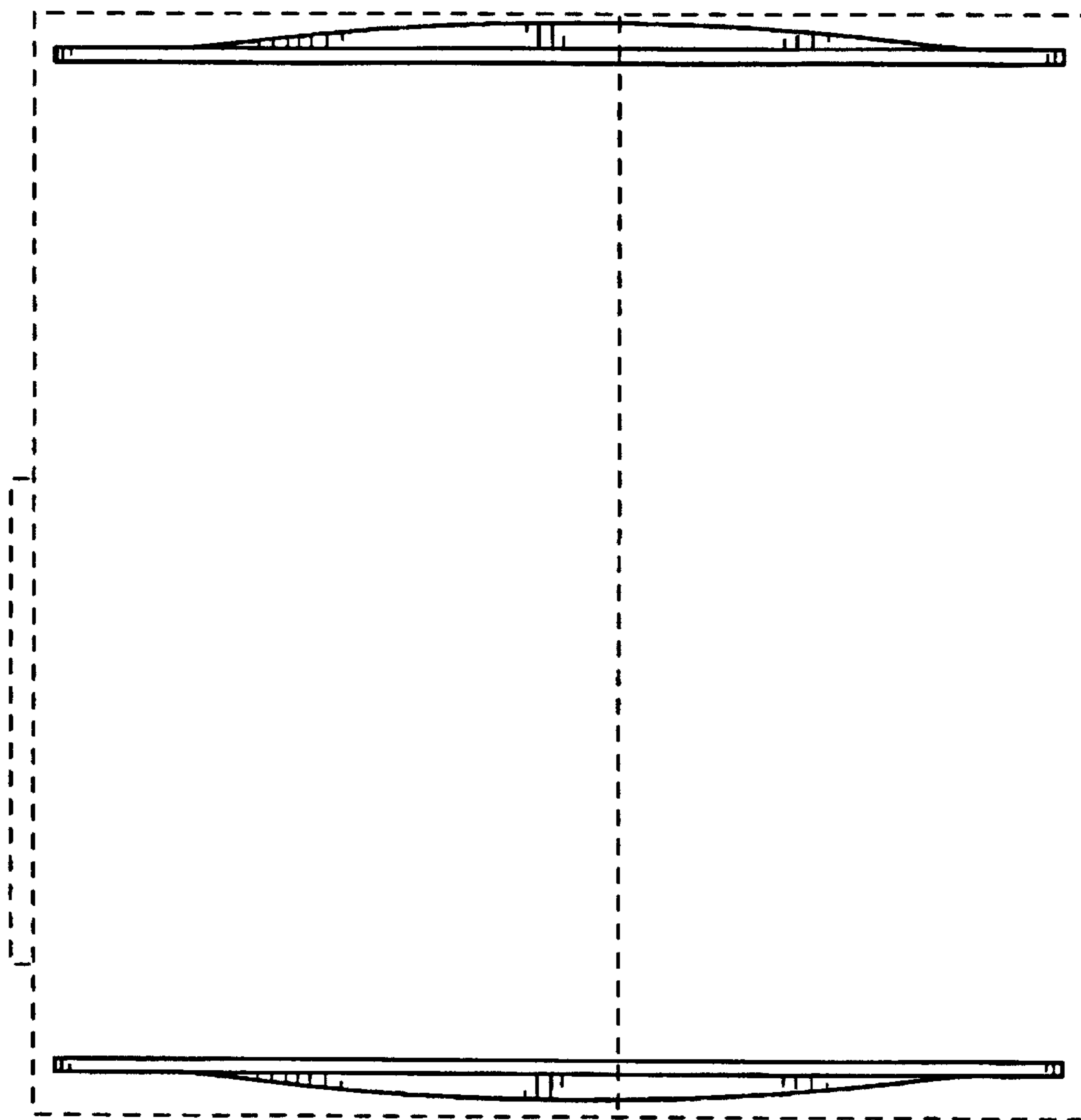


FIG. 4

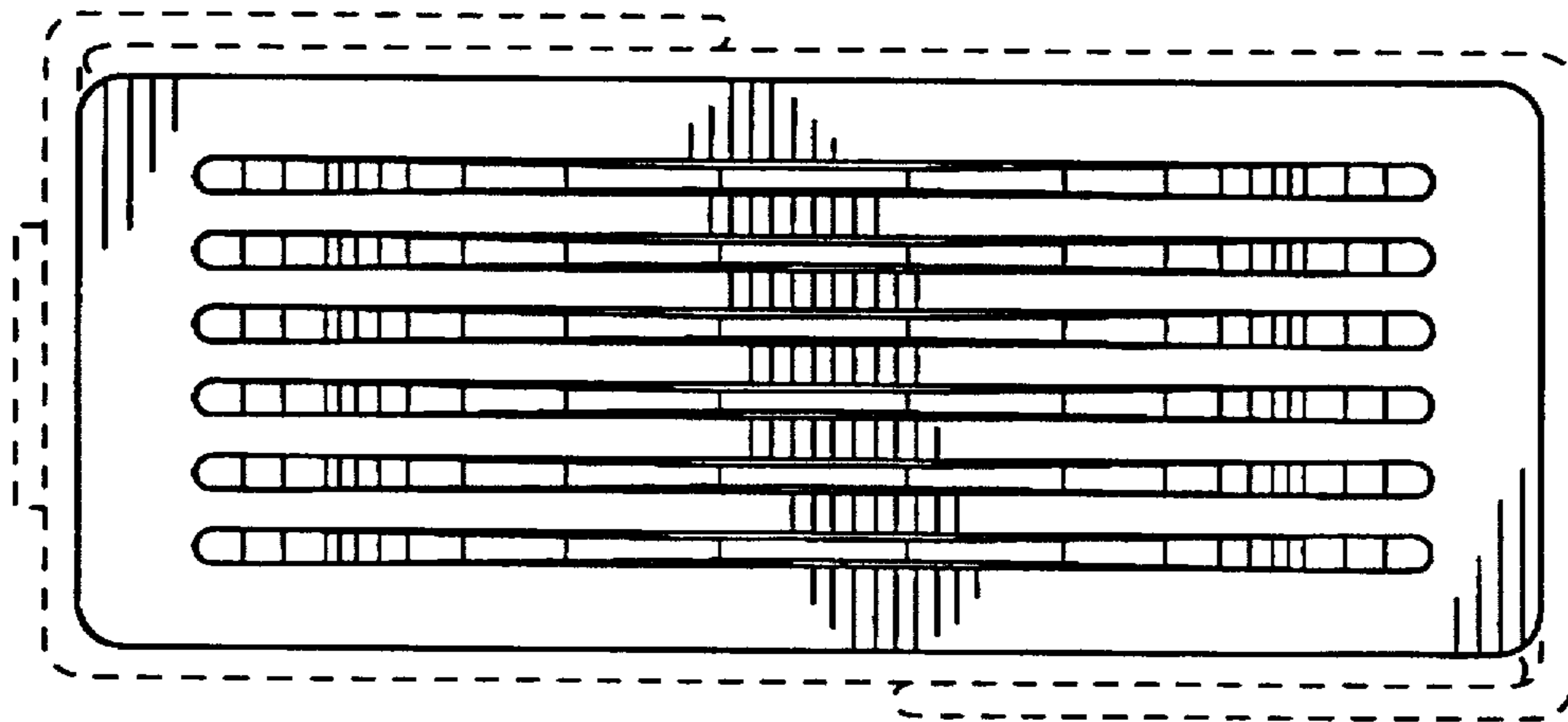
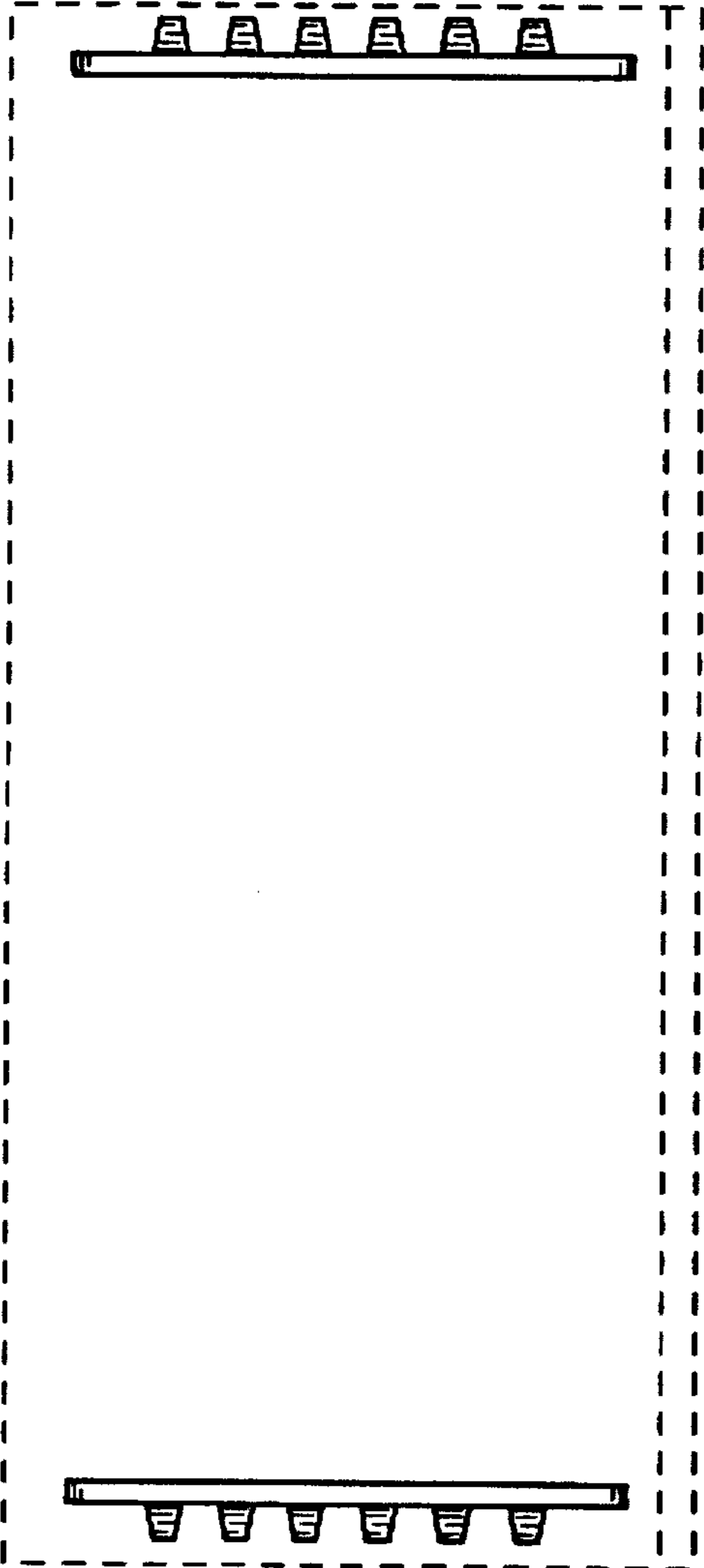


FIG. 3



UNITED STATES PATENT AND TRADEMARK OFFICE
CERTIFICATE OF CORRECTION

PATENT NO. : Des. 396,969
DATED : August 18, 1998
INVENTOR(S) : Marc Moor

It is certified that error appears in the above-identified patent and that said Letters Patent is hereby corrected as shown below:

Description, FIG. 2, line 2, after "case" delete
"sidewall".

Description, FIG. 2, line 3, after "case" add
--sidewall--.

Signed and Sealed this
Seventeenth Day of November, 1998

Attest:



BRUCE LEHMAN

Attesting Officer

Commissioner of Patents and Trademarks