



US00D396961S

United States Patent [19]
Donnelly

[11] **Patent Number: Des. 396,961**

[45] **Date of Patent: **Aug. 18, 1998**

[54] **SEAT**

[76] **Inventor: Brian F. Donnelly, 1118 Salamanca Ct., Davis, Calif. 95616**

[**] **Term: 14 Years**

[21] **Appl. No.: 72,628**

[22] **Filed: Jun. 20, 1997**

[51] **LOC (6) Cl. 06-01**

[52] **U.S. Cl. D6/334; D6/379; D6/380**

[58] **Field of Search D6/334, 370, 374, D6/375, 376, 379, 380, 500, 501, 502; 297/445.1, 446.1**

[56] **References Cited**

U.S. PATENT DOCUMENTS

D. 9,887	4/1877	Goodwin .	
D. 40,613	4/1910	Waters, Jr. .	
D. 132,165	4/1942	Burke	D6/334
D. 132,174	4/1942	Burke	D6/334
D. 155,013	8/1949	Kipp	D6/379
D. 180,134	4/1957	Calder .	
D. 188,895	9/1960	Joines .	
D. 193,506	9/1962	Smith et al.	D6/379
D. 223,025	2/1972	Barecki et al. .	
D. 238,222	12/1975	Eberle .	
D. 248,799	8/1978	Adams .	
D. 254,880	5/1980	Durney	D6/379
D. 279,332	6/1985	Diffrient	D6/379
D. 280,270	8/1985	Okuda	D6/380
D. 289,347	4/1987	Halme .	
D. 294,782	3/1988	Balderi .	
D. 311,824	11/1990	Schwartz et al.	D6/370
D. 342,618	12/1993	Tseng	D6/370
D. 342,620	12/1993	Tseng	D6/370
D. 366,773	2/1996	Yurk .	
D. 366,775	2/1996	Kane .	
D. 378,965	4/1997	Yurk .	
D. 380,101	6/1997	Feldberg	D6/379
1,170,669	2/1916	Ridgely .	
1,351,995	9/1920	Cornish .	
2,834,404	5/1958	Groome .	
3,144,272	8/1964	Yadven .	
3,336,077	8/1967	Radke et al. .	
3,635,521	1/1972	Shivvers .	
3,638,997	2/1972	Shapiro et al. .	

3,847,433	11/1974	Acton et al. .	
4,249,774	2/1981	Andreasson .	
4,688,851	8/1987	Whiteford .	
4,690,459	9/1987	Ullman .	
4,852,944	8/1989	Hartmann .	
5,292,177	3/1994	Balderi et al. .	
5,306,072	4/1994	Caldwell .	
5,309,583	5/1994	White et al. .	
5,342,111	8/1994	Charles .	
5,375,911	12/1994	Morrow .	

FOREIGN PATENT DOCUMENTS

D. 1115421 10/1961 Germany .

OTHER PUBLICATIONS

Carsons, chair shown.
Patient Chairs, Health Chair, Model Nos. 1376, 1377, 1378.
Thonet advertising brochure, undated.

Primary Examiner—Gary D. Watson
Attorney, Agent, or Firm—Burns, Doane, Swecker & Mathis, L.L.P.

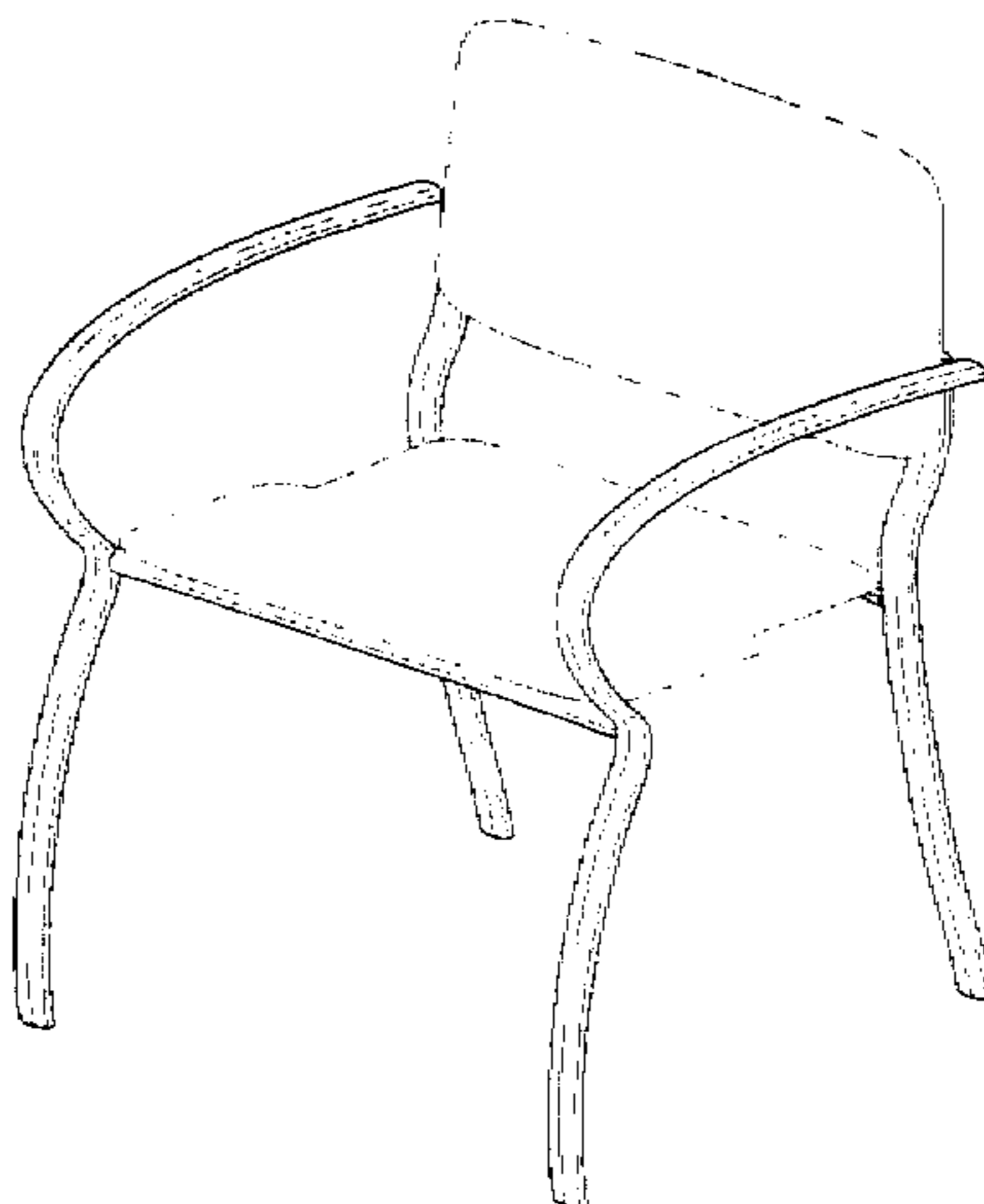
[57] **CLAIM**

The ornamental design for a seat, as shown and described.

DESCRIPTION

FIG. 1 is a perspective view as seen from the front and upper right of a first embodiment of a seat showing my new design; FIG. 2 is a front elevational view thereof; FIG. 3 is a left side elevational view thereof, the right side is symmetrical; FIG. 4 is a top plan view thereof; FIG. 5 is a rear elevational view thereof; FIG. 6 is a perspective view as seen from the front and upper right of a second embodiment of the seat; and, FIG. 7 is a left side elevational view thereof, the right side is symmetrical.
The front elevational view, top plan view, and rear elevational view of the second embodiment are the same as for the first embodiment.
The broken lines showing a seat member and a backrest member are for illustrative purposes only and form no part of the claimed design.

1 Claim, 5 Drawing Sheets



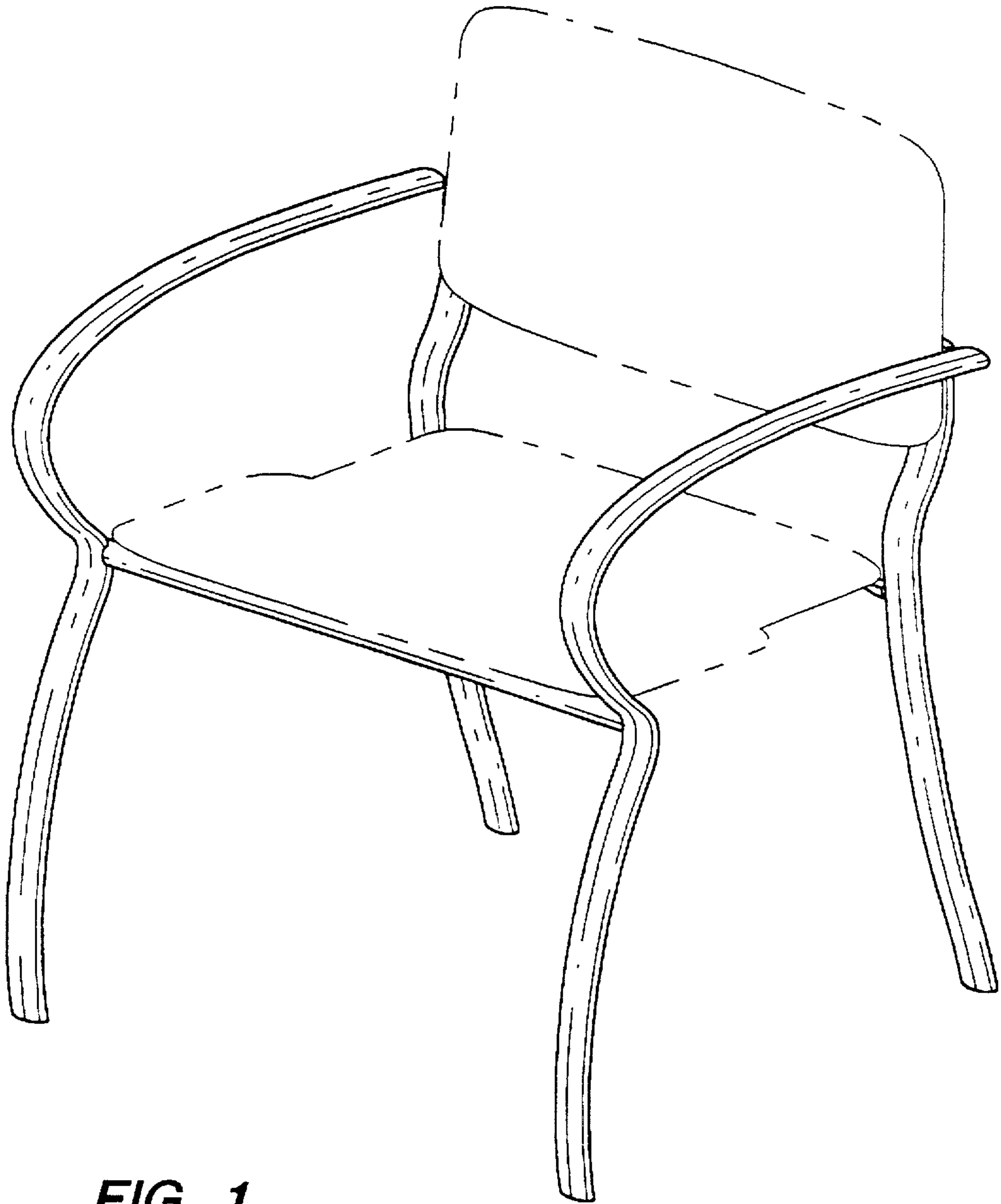


FIG. 1

FIG. 2

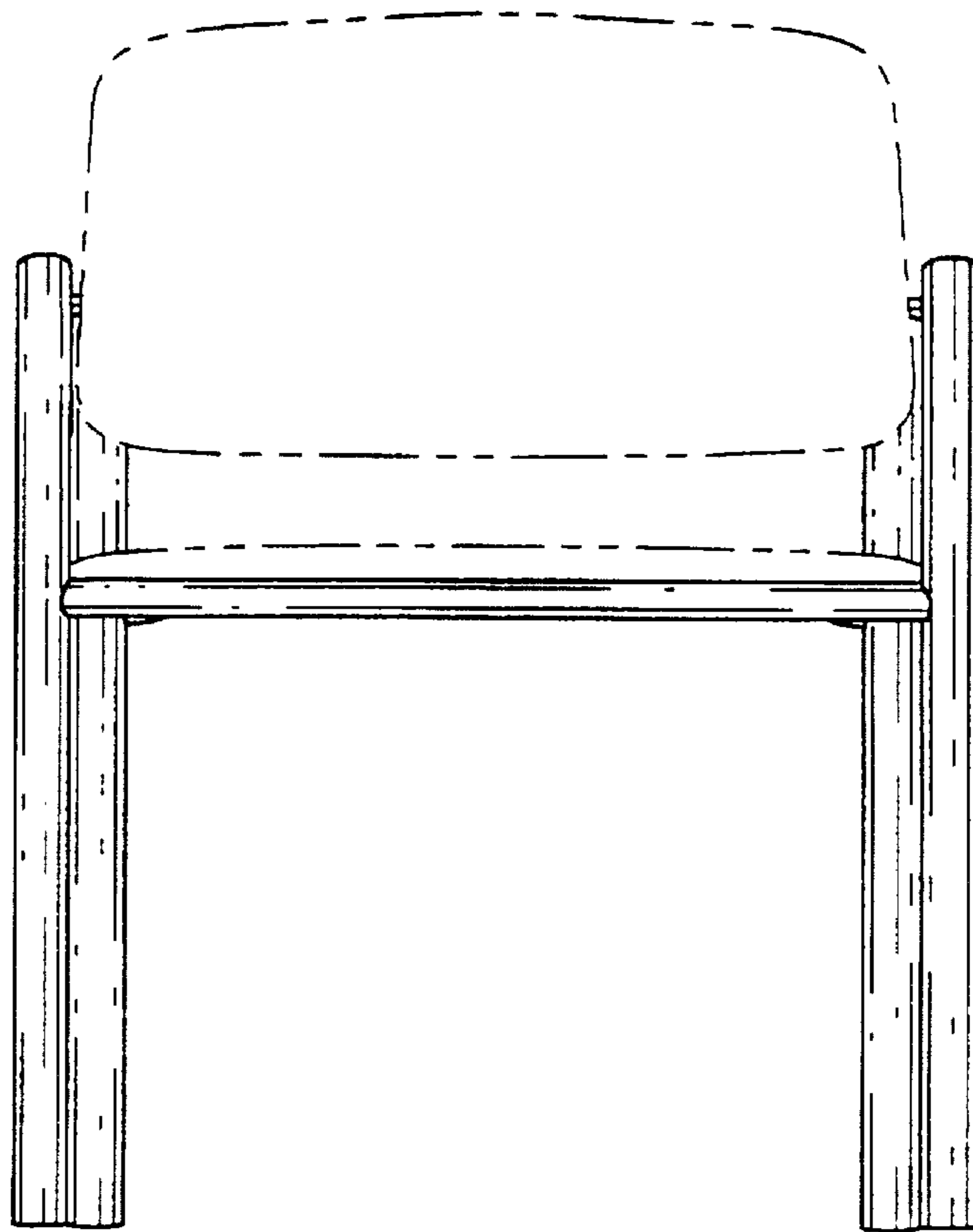


FIG. 3

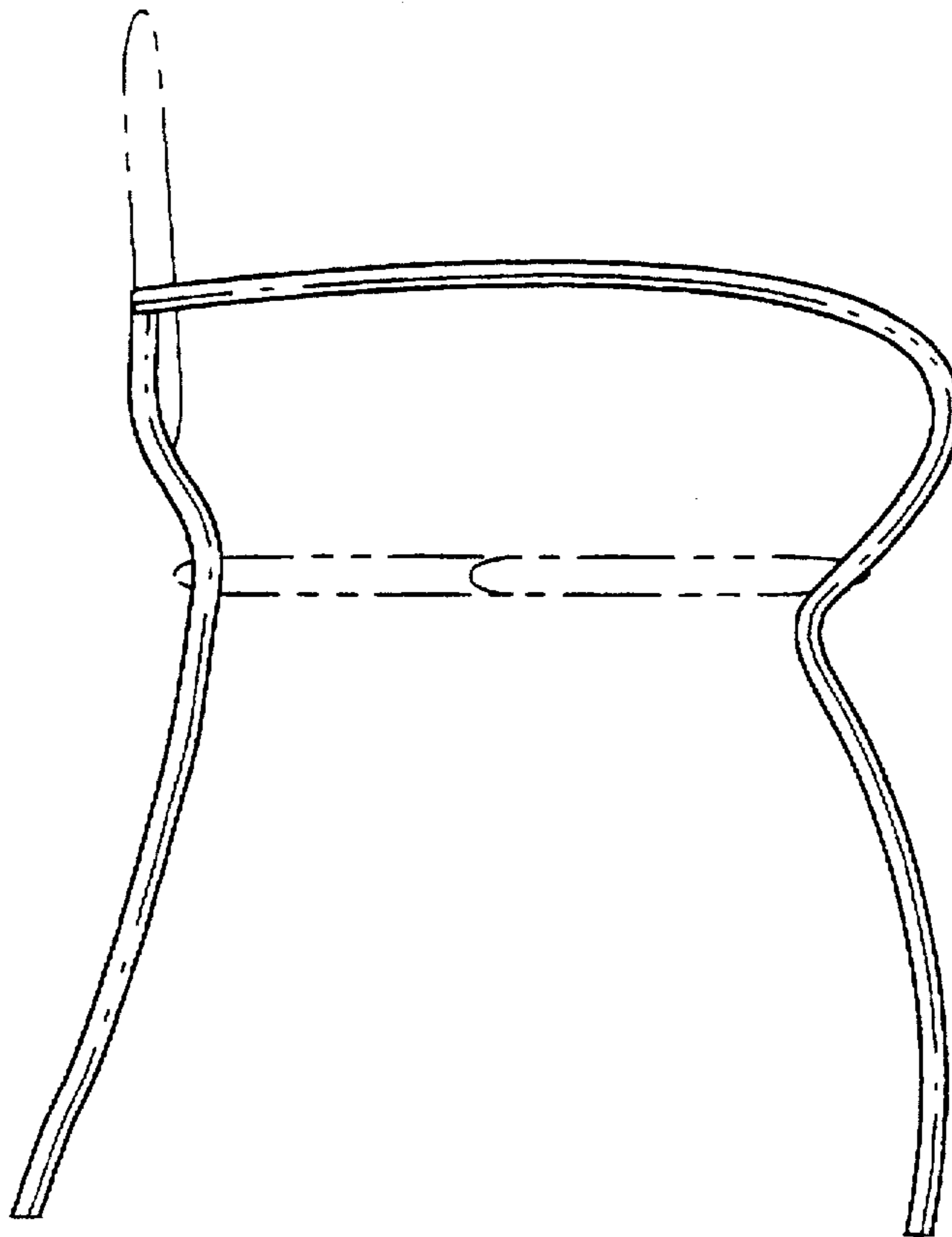


FIG. 4

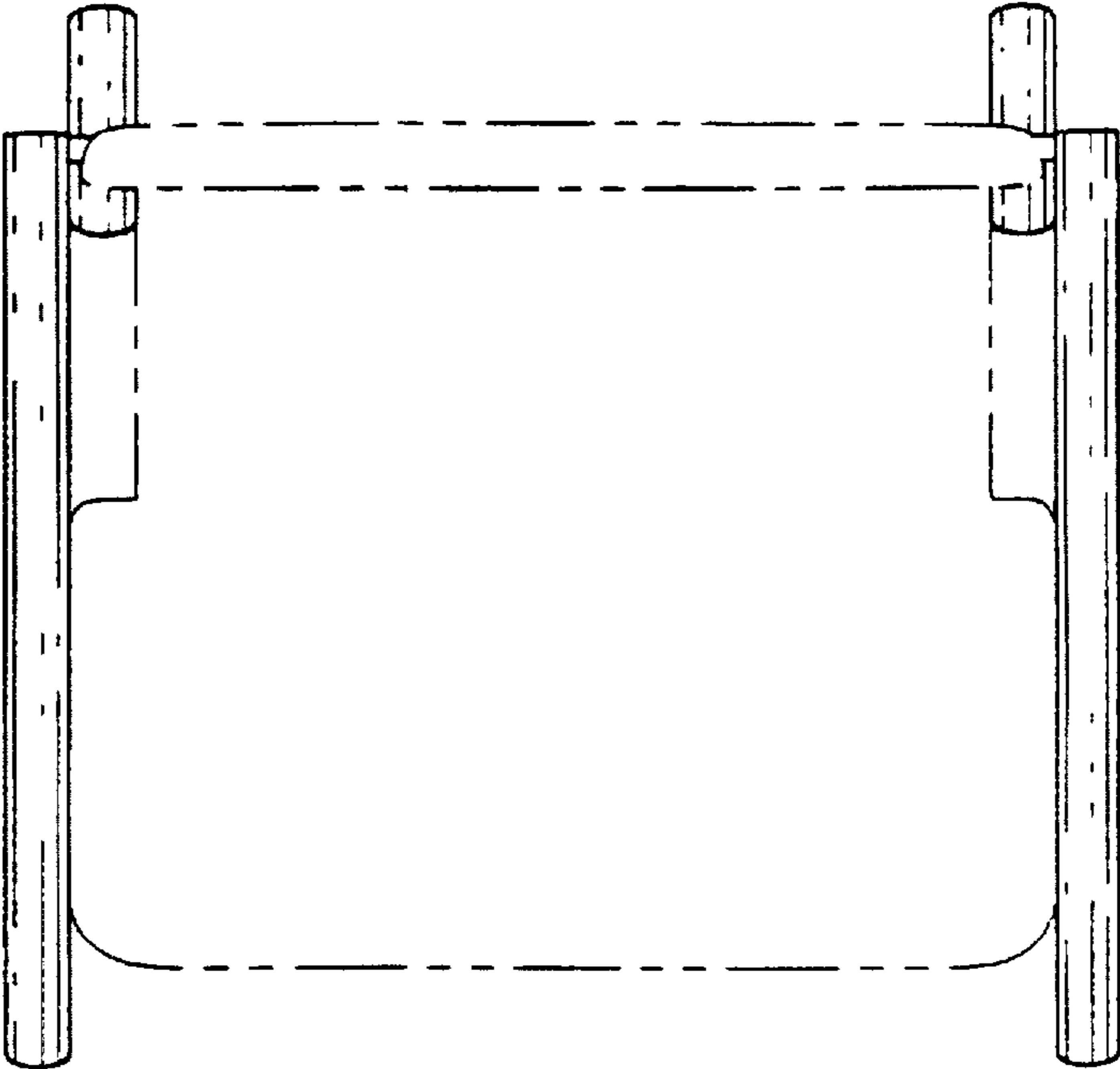
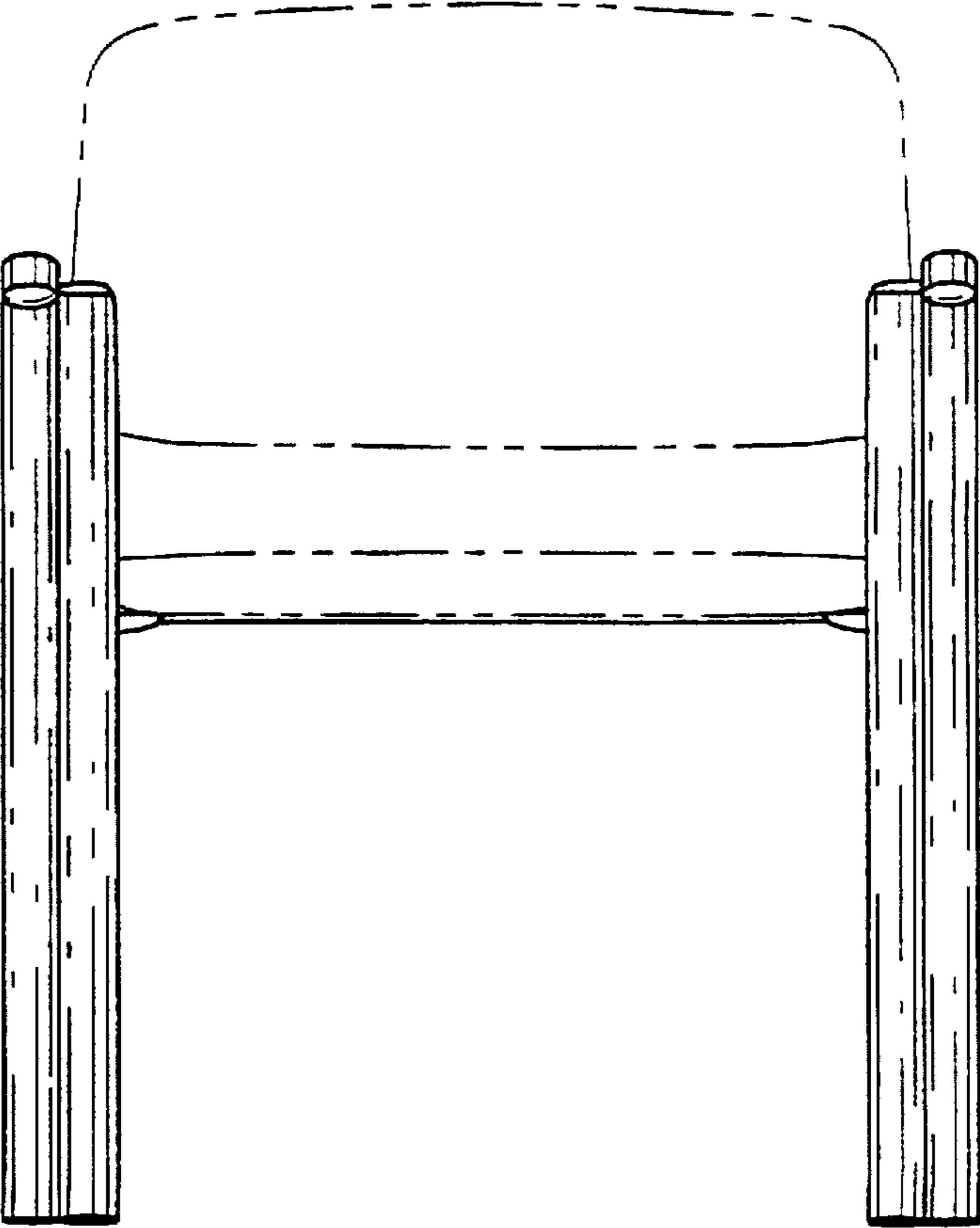


FIG. 5



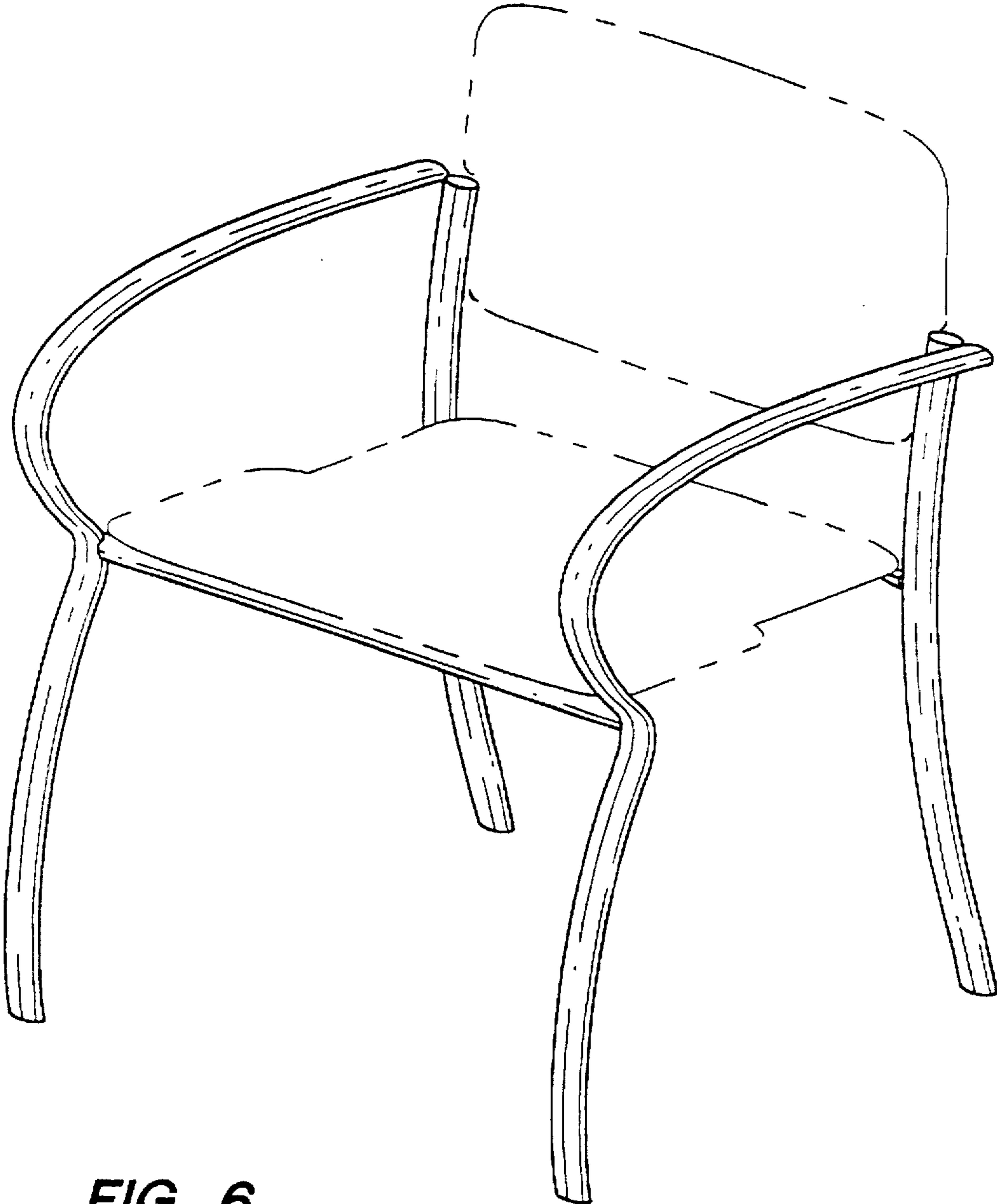


FIG. 6

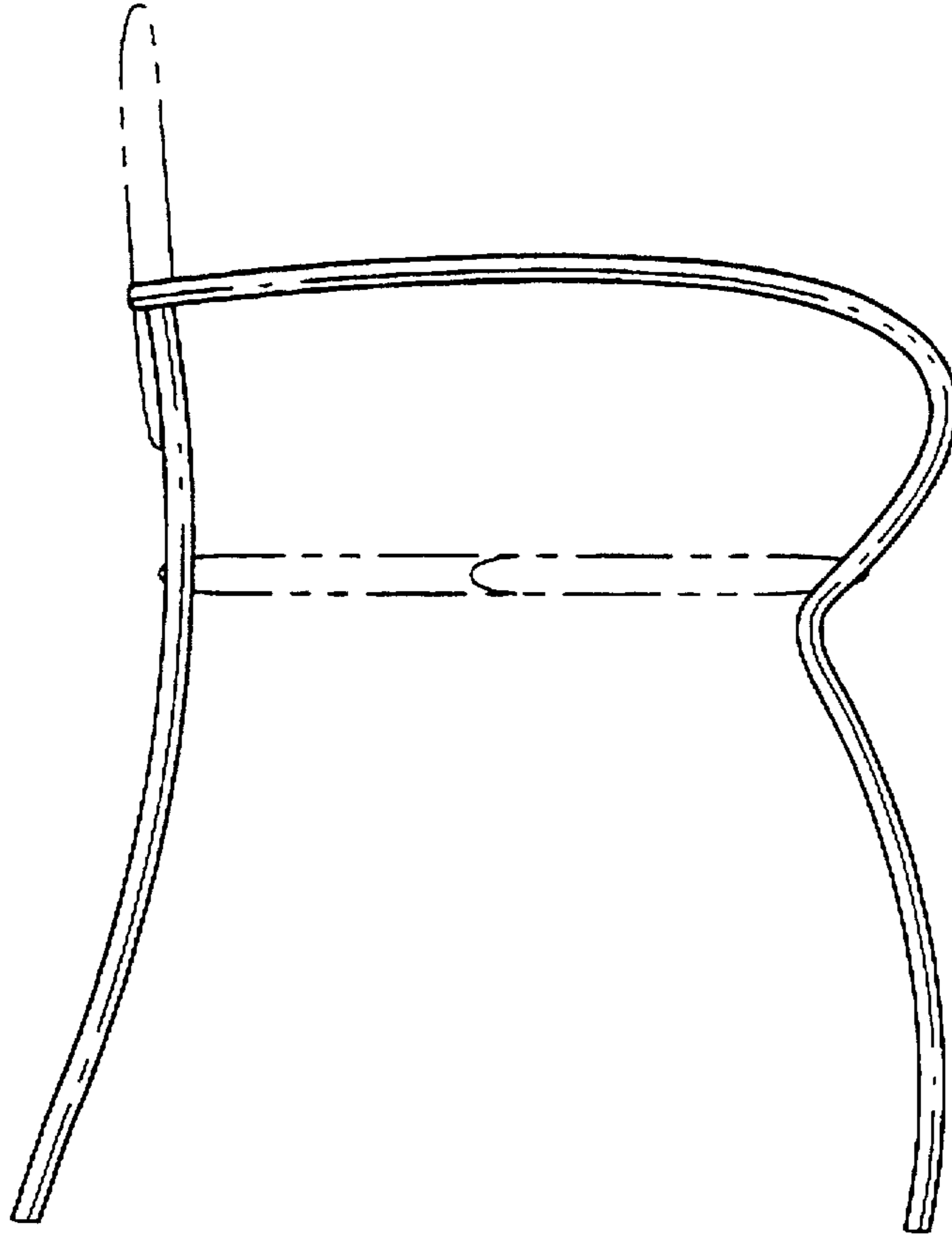


FIG. 7