



US00D396950S

United States Patent [19]
Werling

[11] **Patent Number: Des. 396,950**

[45] **Date of Patent: **Aug. 18, 1998**

[54] **BOW FORMING TOOL**

[75] **Inventor: John M. Werling, Las Vegas, Nev.**

[73] **Assignee: Sandy M. Sandler, Henderson, Nev.**

[**] **Term: 14 Years**

[21] **Appl. No.: 58,300**

[22] **Filed: Jun. 28, 1996**

[51] **LOC (6) Cl. 02-07**

[52] **U.S. Cl. D3/26**

[58] **Field of Search D3/26, 18, 20,
D3/23; 223/44, 46, 106, 107, 108, 109 R;
28/147, 149, 150, 151, 152**

[56] **References Cited**

U.S. PATENT DOCUMENTS

D. 364,733	12/1995	Cavender	D3/26
2,542,222	2/1951	Welch	223/46
2,763,080	9/1956	Welch .	
3,291,352	12/1966	Grikis	223/46
3,462,049	8/1969	Smith	223/46
3,816,888	6/1974	Rather, Jr. .	
4,454,968	6/1984	St. Lawrence	223/46
4,603,797	8/1986	Gallo, Sr.	223/46
4,714,182	12/1987	Hecht	223/46
5,261,578	11/1993	Monahan	223/46
5,297,705	3/1994	Schmidt	223/46
5,356,056	10/1994	Teuten	223/46
5,407,108	4/1995	Hambright	223/46
5,411,188	5/1995	Teuten	223/46

FOREIGN PATENT DOCUMENTS

440400 of 1927 Germany 223/46

OTHER PUBLICATIONS

E-Z Bow Maker Instructions, E-Z Bowz, Inc., Sevierville, Tennessee, 1993.

E-Z Bowz Jr Instructions, E-Z Bowz Inc., Sevierville, Tennessee, 1993.

Primary Examiner—Doris V. Coles

Assistant Examiner—Catherine R. Oliver

Attorney, Agent, or Firm—Jacobson, Price, Holman & Stern, PLLC

[57] **CLAIM**

The ornamental design for a bow forming tool, as shown and described.

DESCRIPTION

FIG. 1 is a front perspective view of the bow forming tool showing my new design;

FIG. 2 is a top plan view thereof;

FIG. 3 is a rear elevational view thereof;

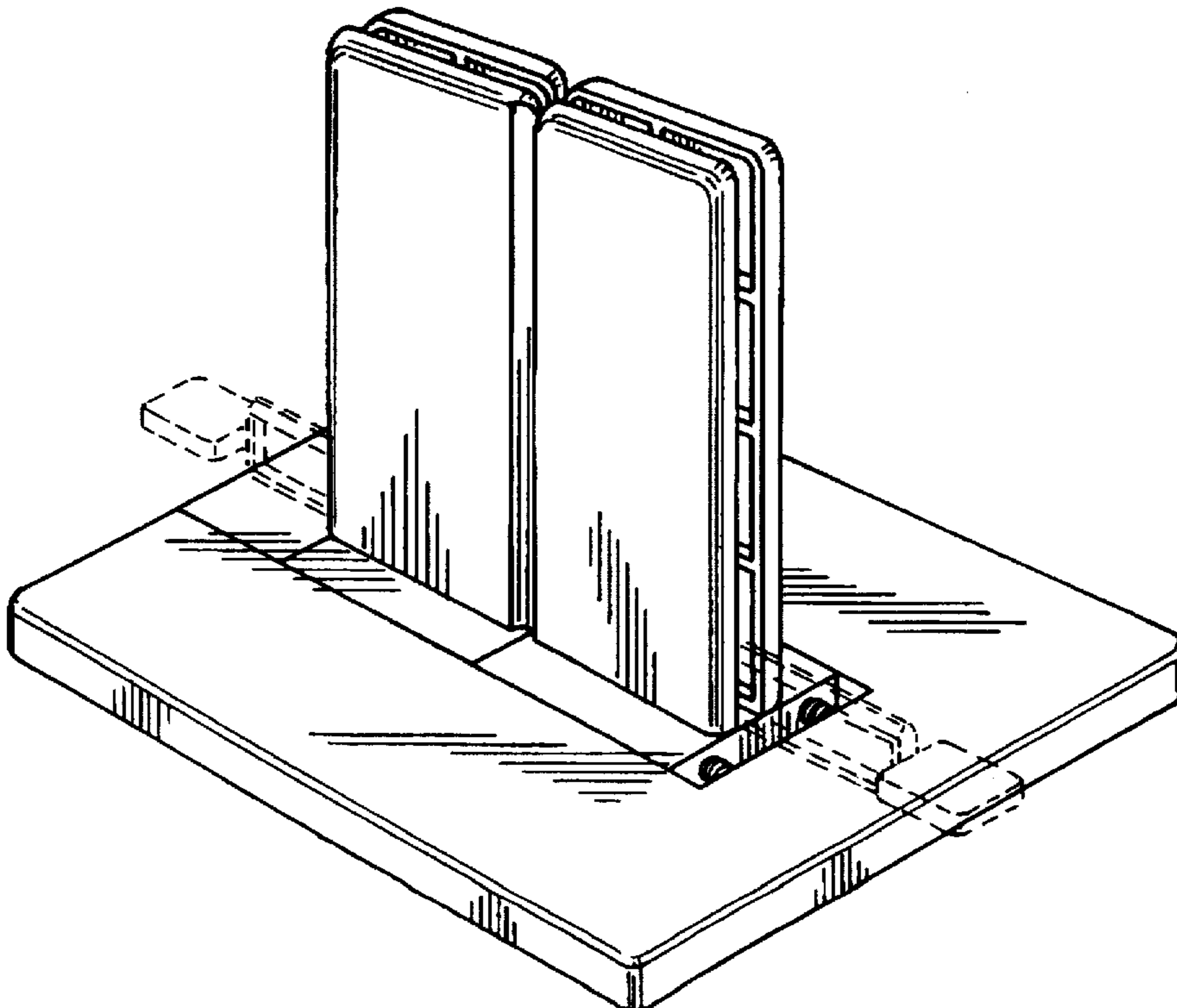
FIG. 4 is a right side elevational view thereof;

FIG. 5 is a left side elevational view thereof; and,

FIG. 6 is a bottom plan view thereof.

The broken line showing of environment in FIG. 1 is for illustrative purposes only and forms no part of the claimed design.

1 Claim, 2 Drawing Sheets



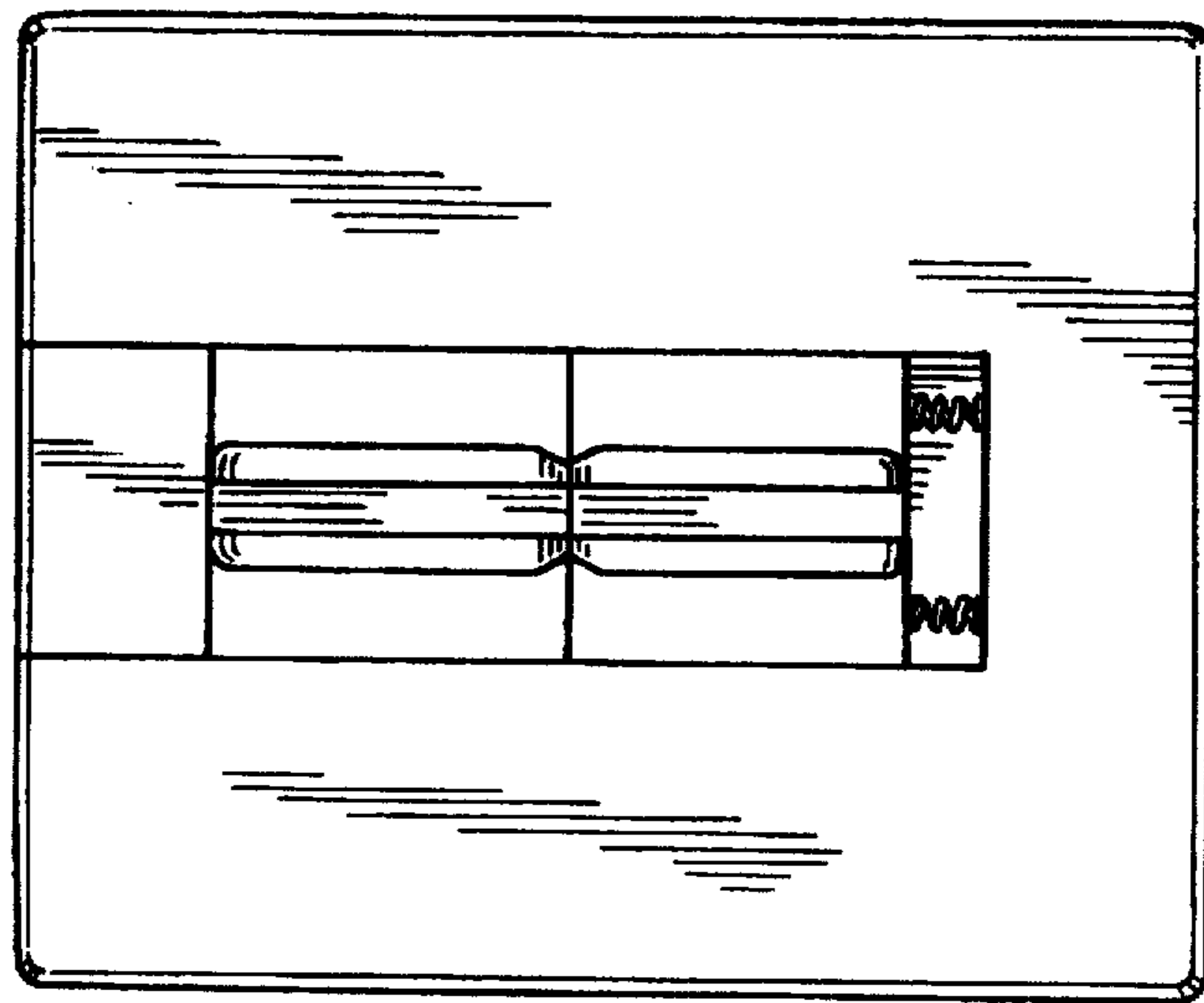
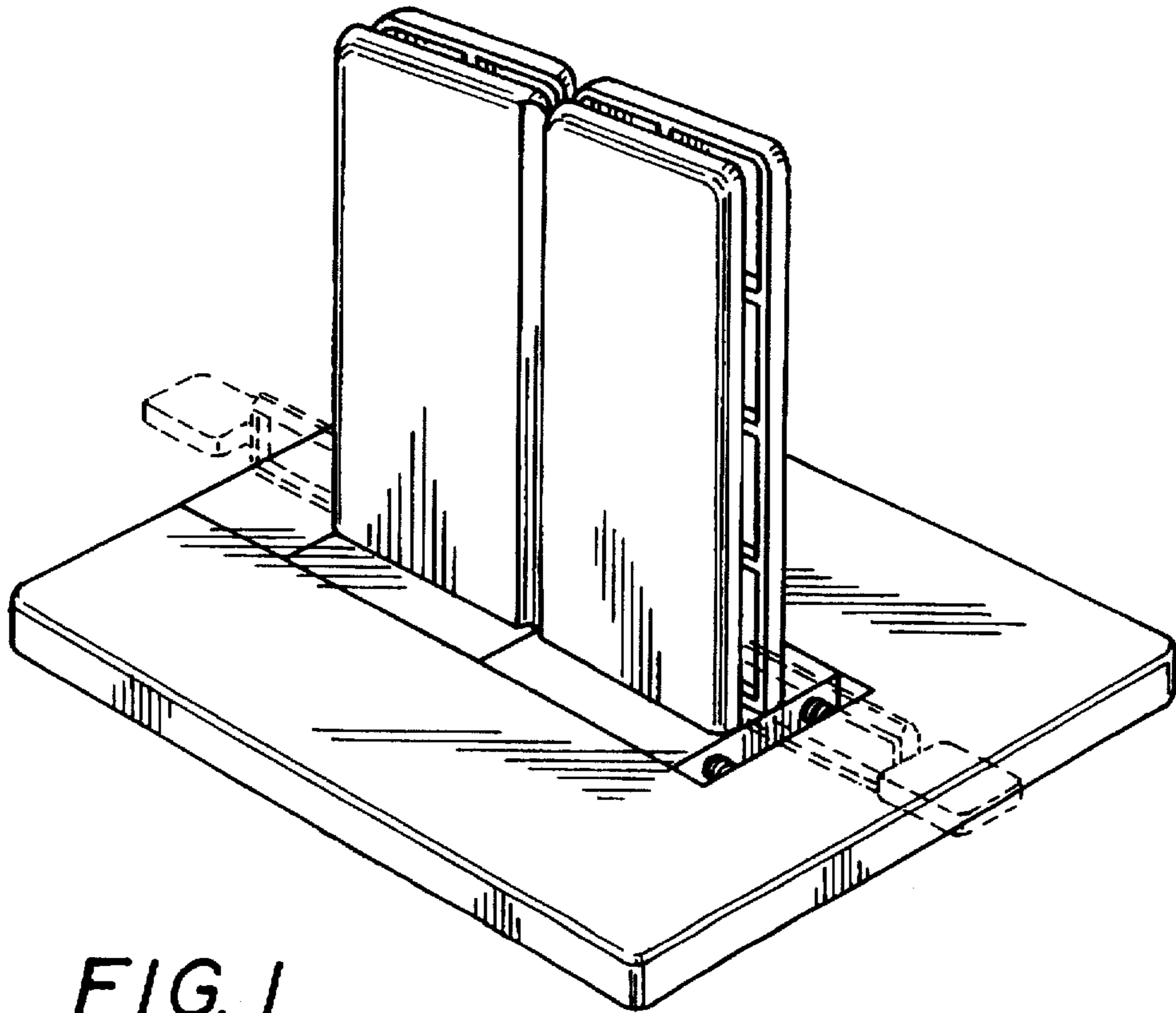


FIG. 3

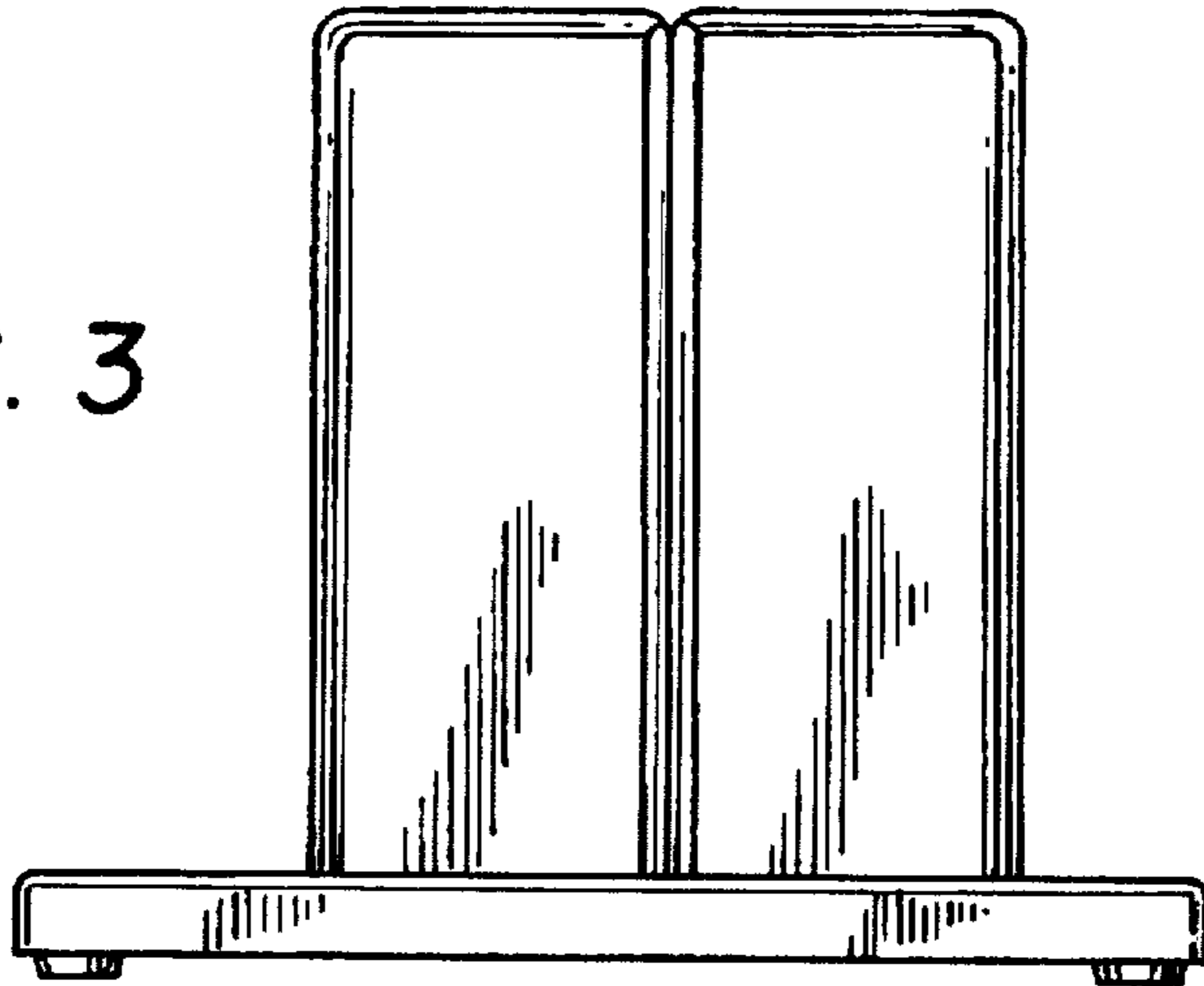


FIG. 4

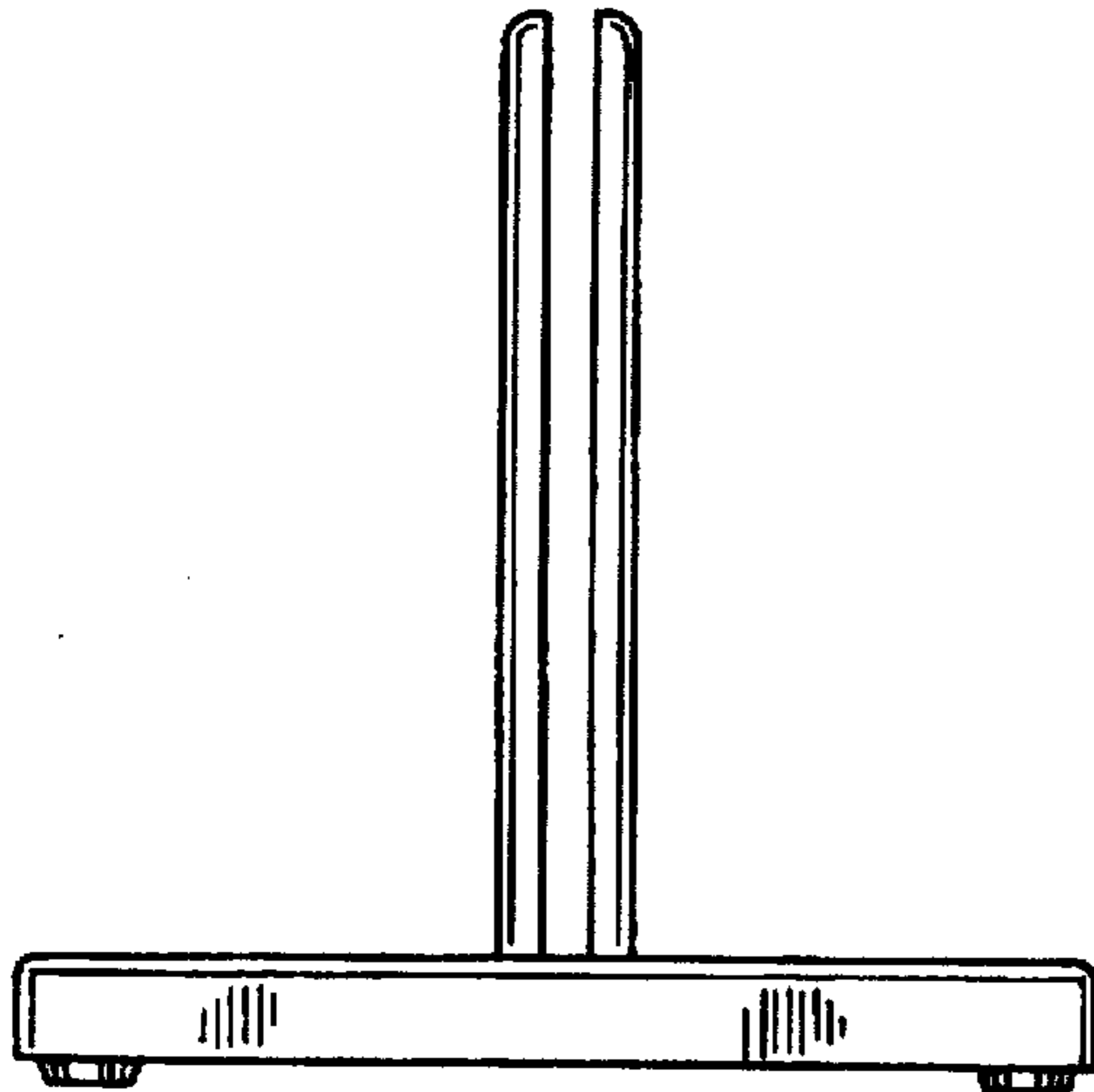


FIG. 5

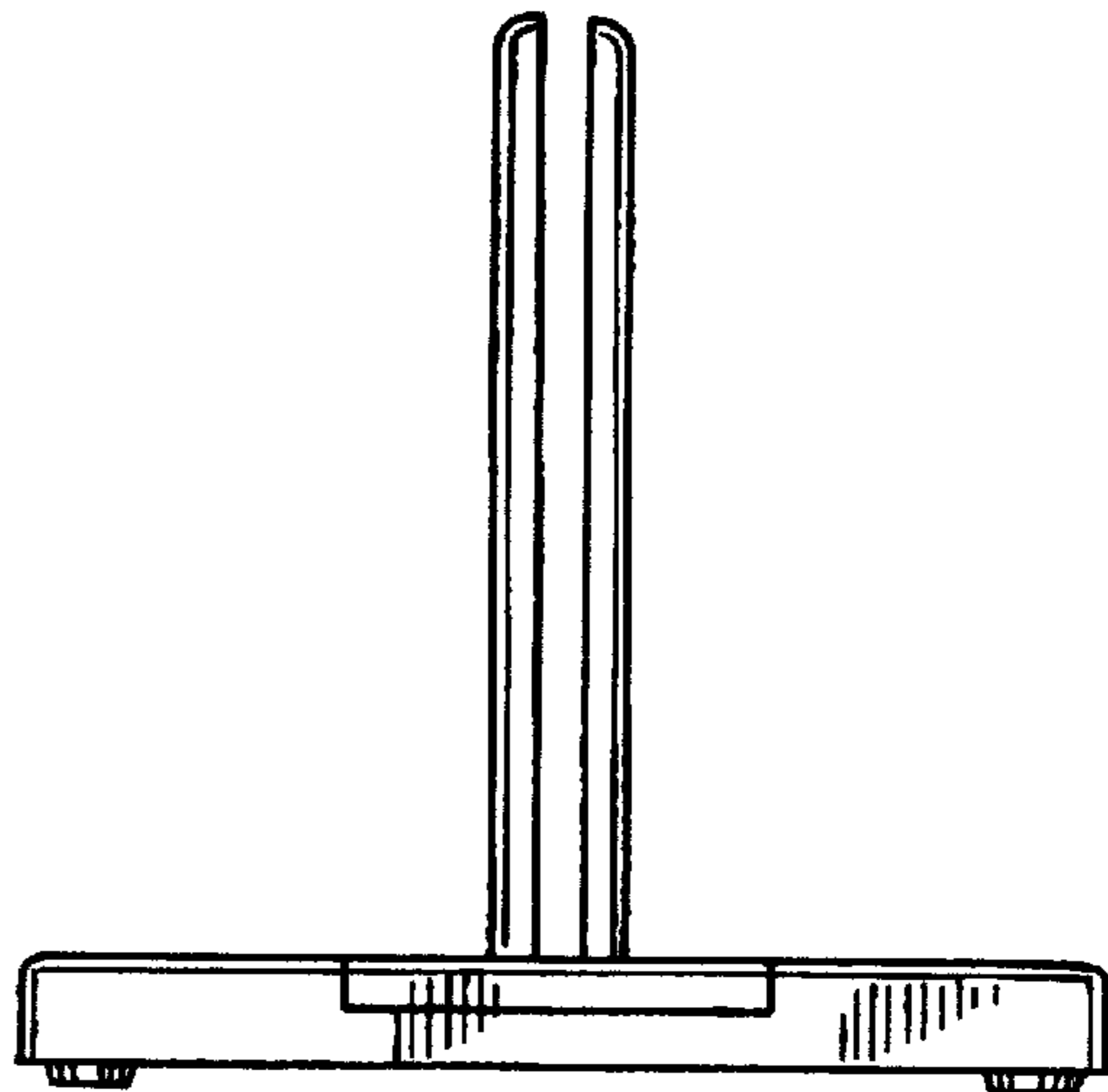


FIG. 6

