



US00D396933S

United States Patent [19]

Boggs

[11] Patent Number: **Des. 396,933**

[45] Date of Patent: ****Aug. 11, 1998**

[54] **BABY BOTTLE BANK**

[76] Inventor: **Lilborn J. Boggs**, 19873 Hwy. FF,
Stove, Mo. 65078

[**] Term: **14 Years**

[21] Appl. No.: **72,486**

[22] Filed: **Jun. 17, 1997**

[51] LOC (6) Cl. **99-00**

[52] U.S. Cl. **D99/37**

[58] Field of Search D99/37; D7/510,
D7/514, 515; D24/197, 199; D9/307, 516;
446/8

[56] **References Cited**

U.S. PATENT DOCUMENTS

D. 334,455 3/1993 Dworman et al. D99/37
2,344,255 3/1944 Lichter D24/199 X

3,746,198 7/1973 Howland D24/197 X
4,878,867 11/1989 Dworman et al. D99/37 X
5,069,645 12/1991 Dworman et al. D99/37 X

Primary Examiner—Paula A. Mortimer
Attorney, Agent, or Firm—Richard J. Grundstrom

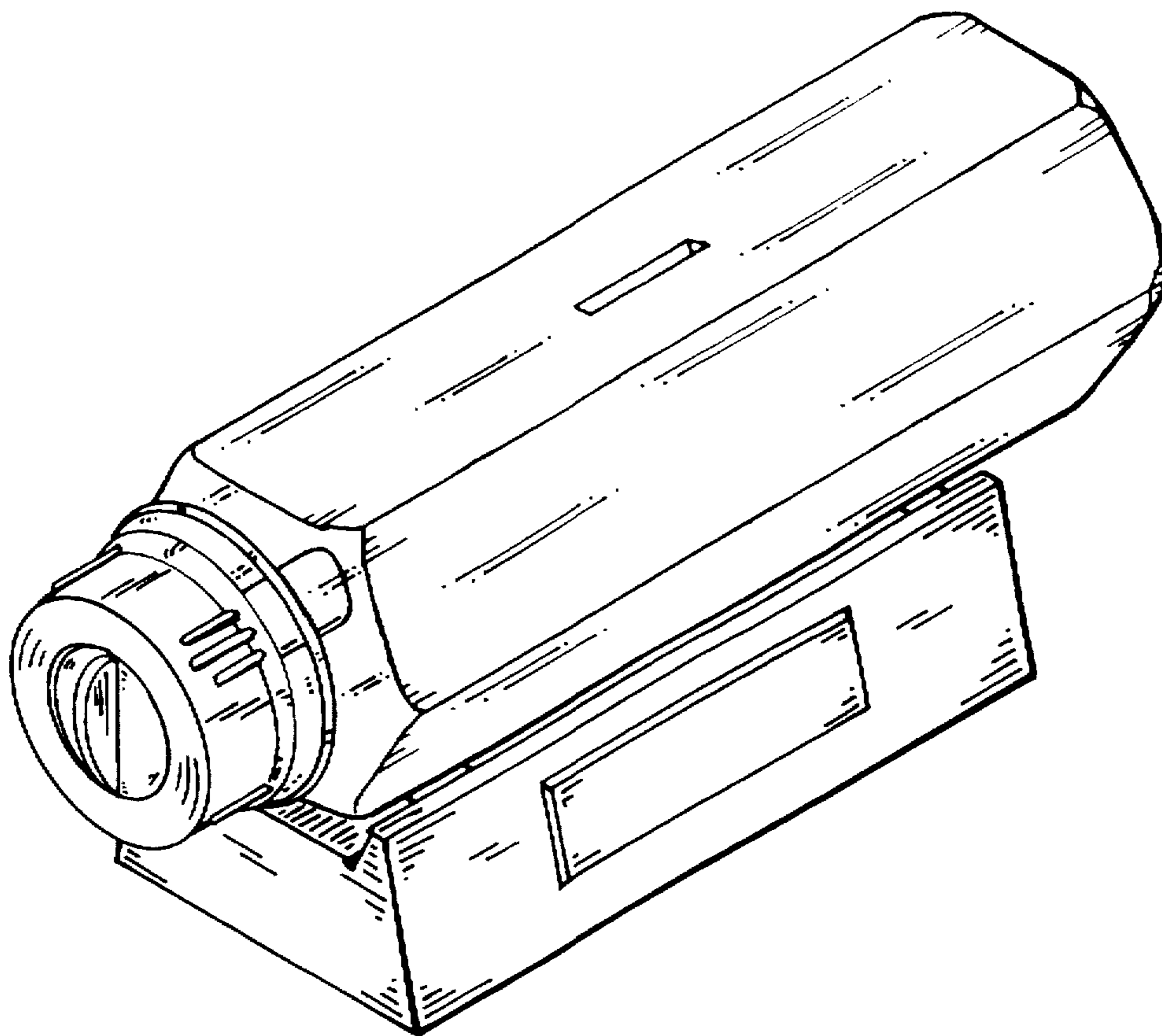
[57] **CLAIM**

The ornamental design for a baby bottle bank, as shown.

DESCRIPTION

FIG. 1 is an isometric view of a baby bottle bank showing my new design;
FIG. 2 is a top view of the baby bottle bank;
FIG. 3 is a bottom view of the baby bottle bank;
FIG. 4 is a view of one end of the baby bottle bank;
FIG. 5 is a view of the other end of the baby bottle bank;
FIG. 6 is a front view of the baby bottle bank; and,
FIG. 7 is a rear view of the baby bottle bank thereof.

1 Claim, 6 Drawing Sheets



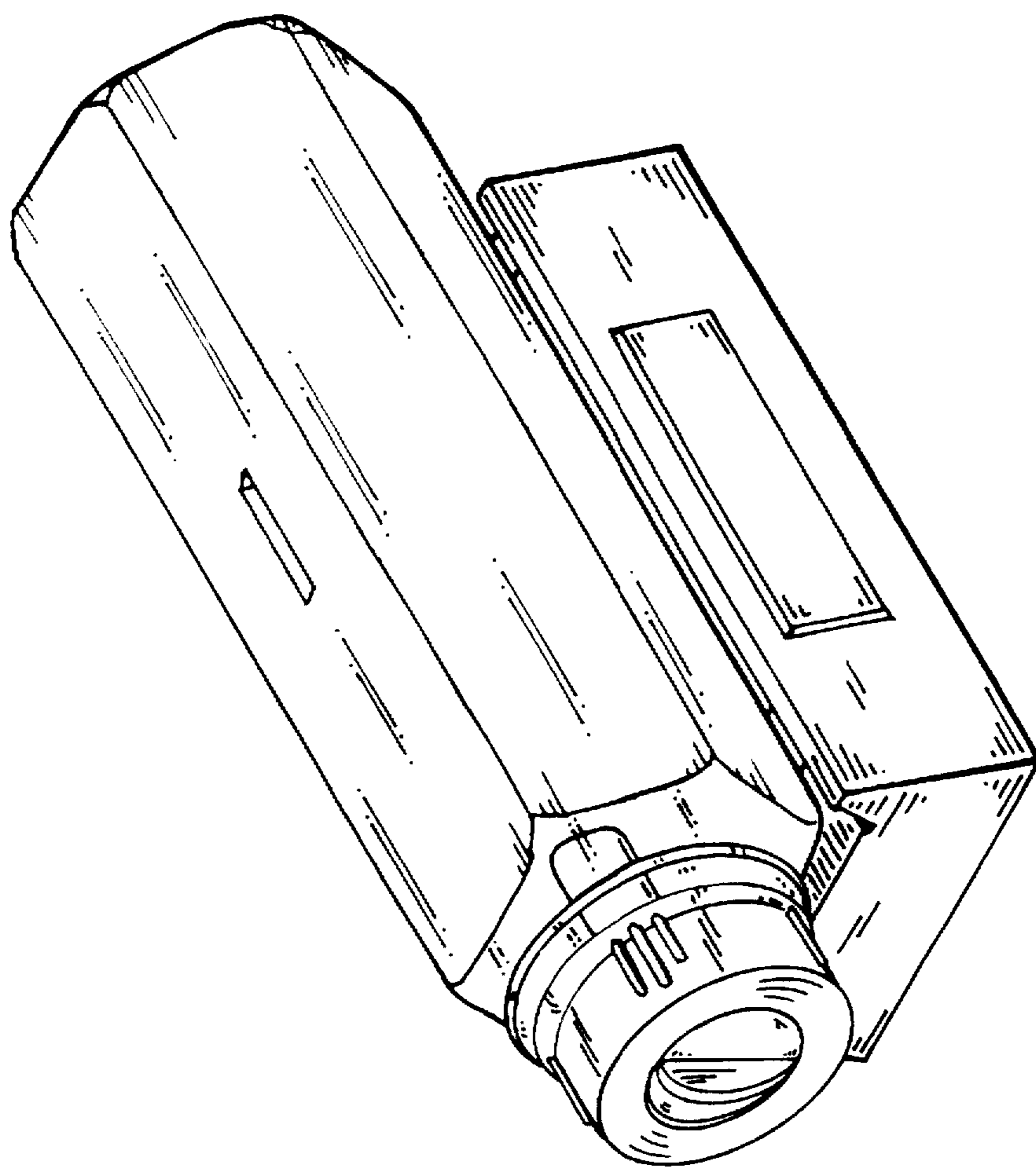


FIG.1.

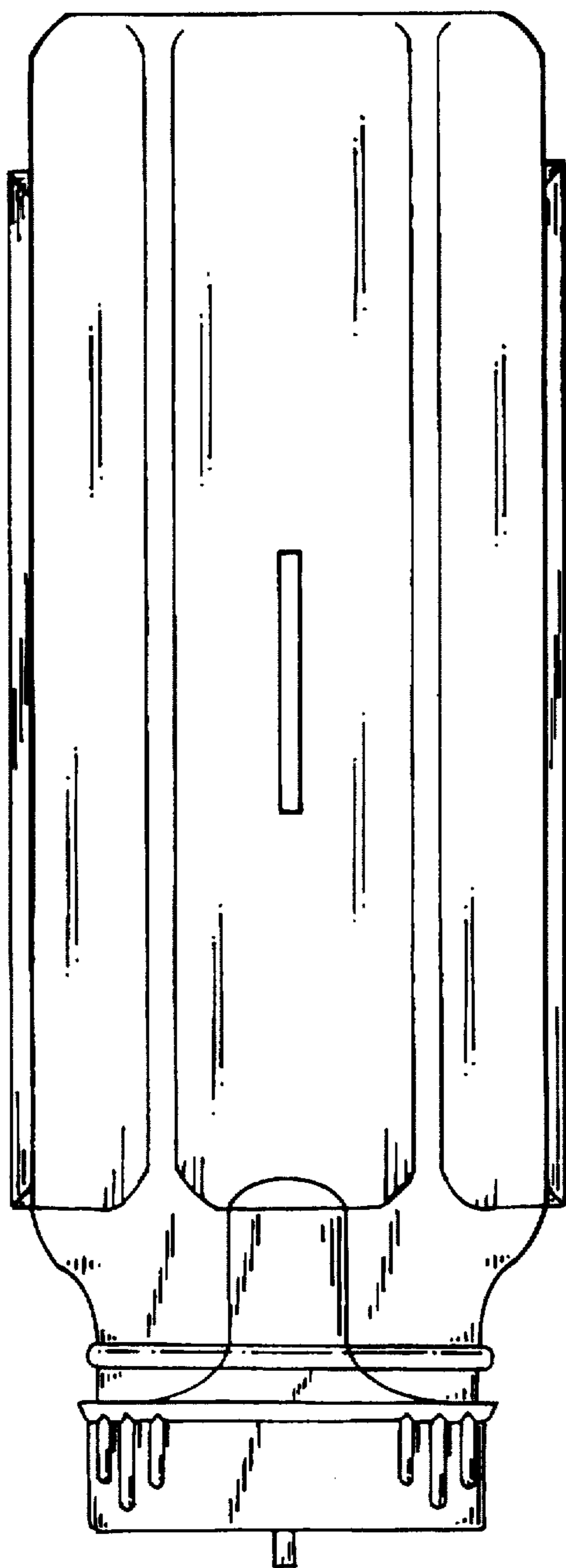


FIG. 2.

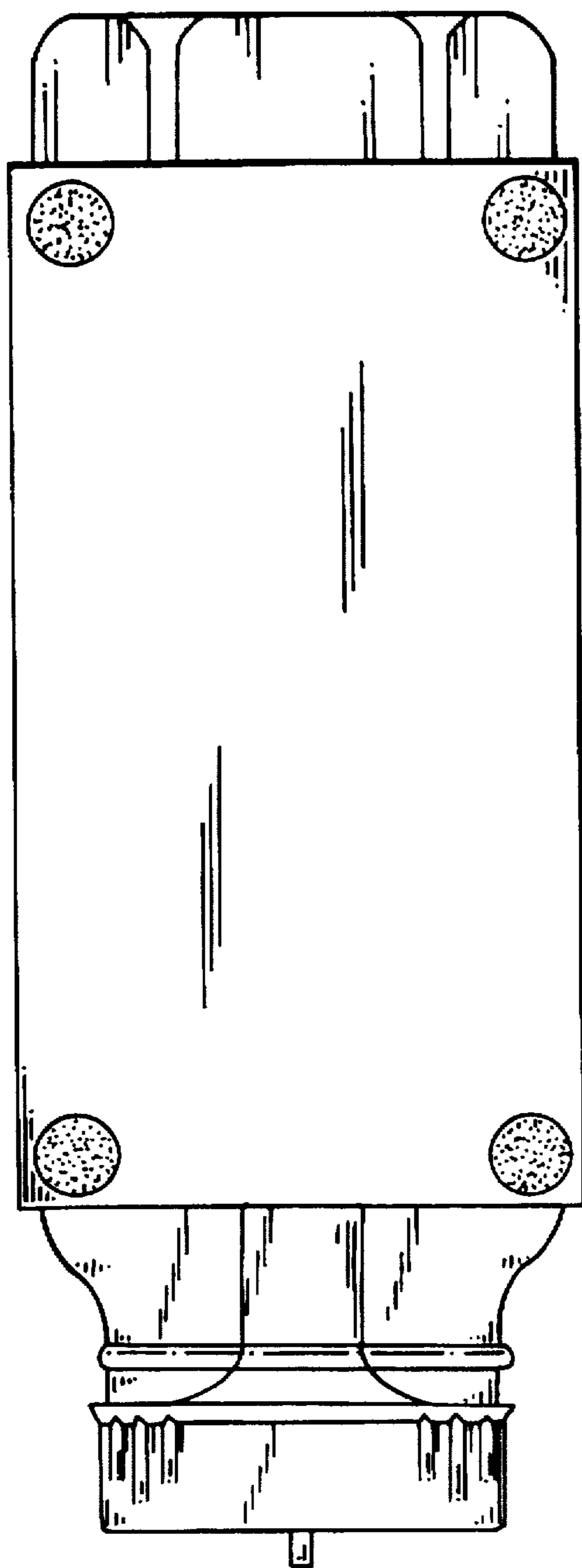


FIG. 3.

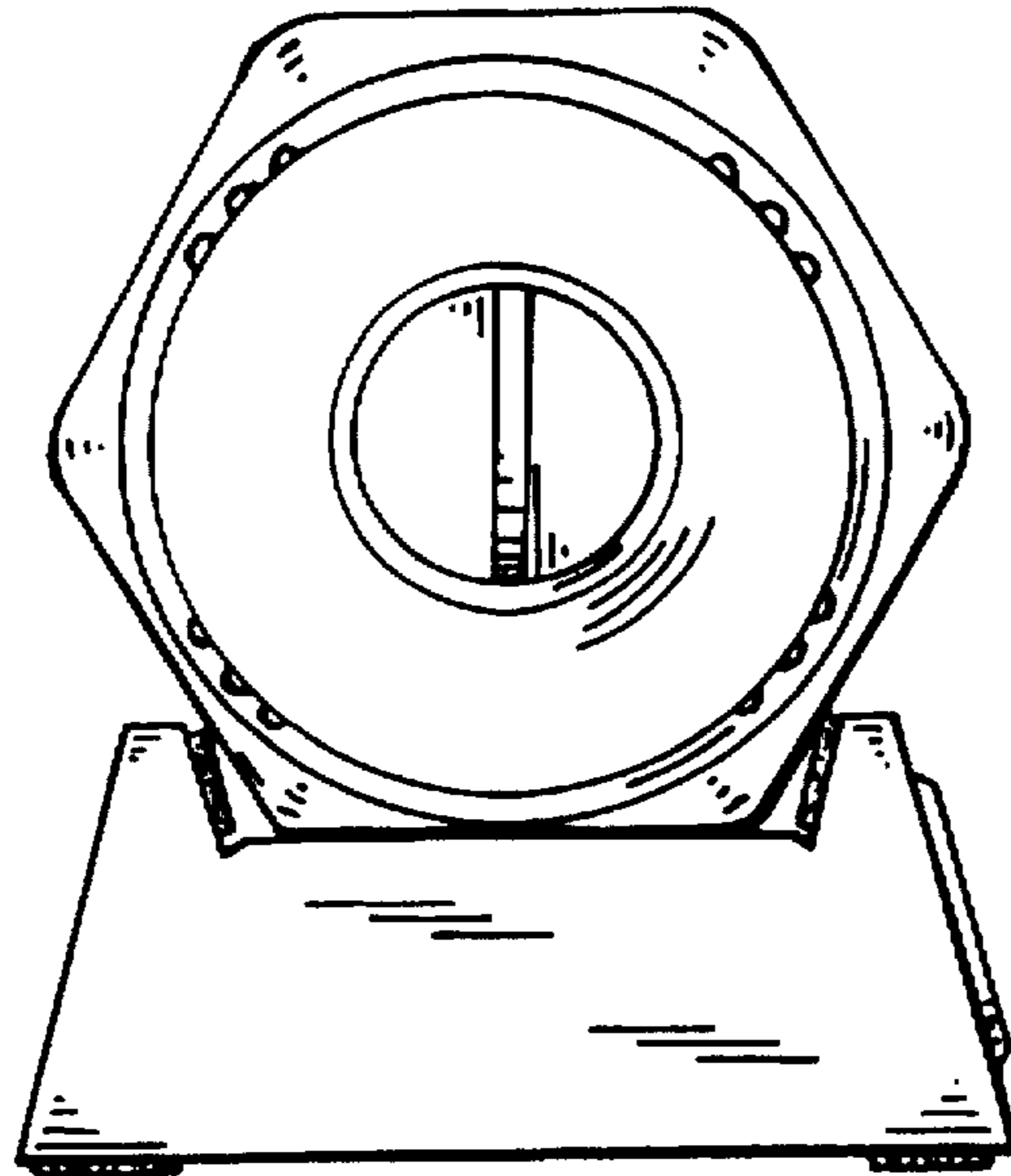


FIG. 4.

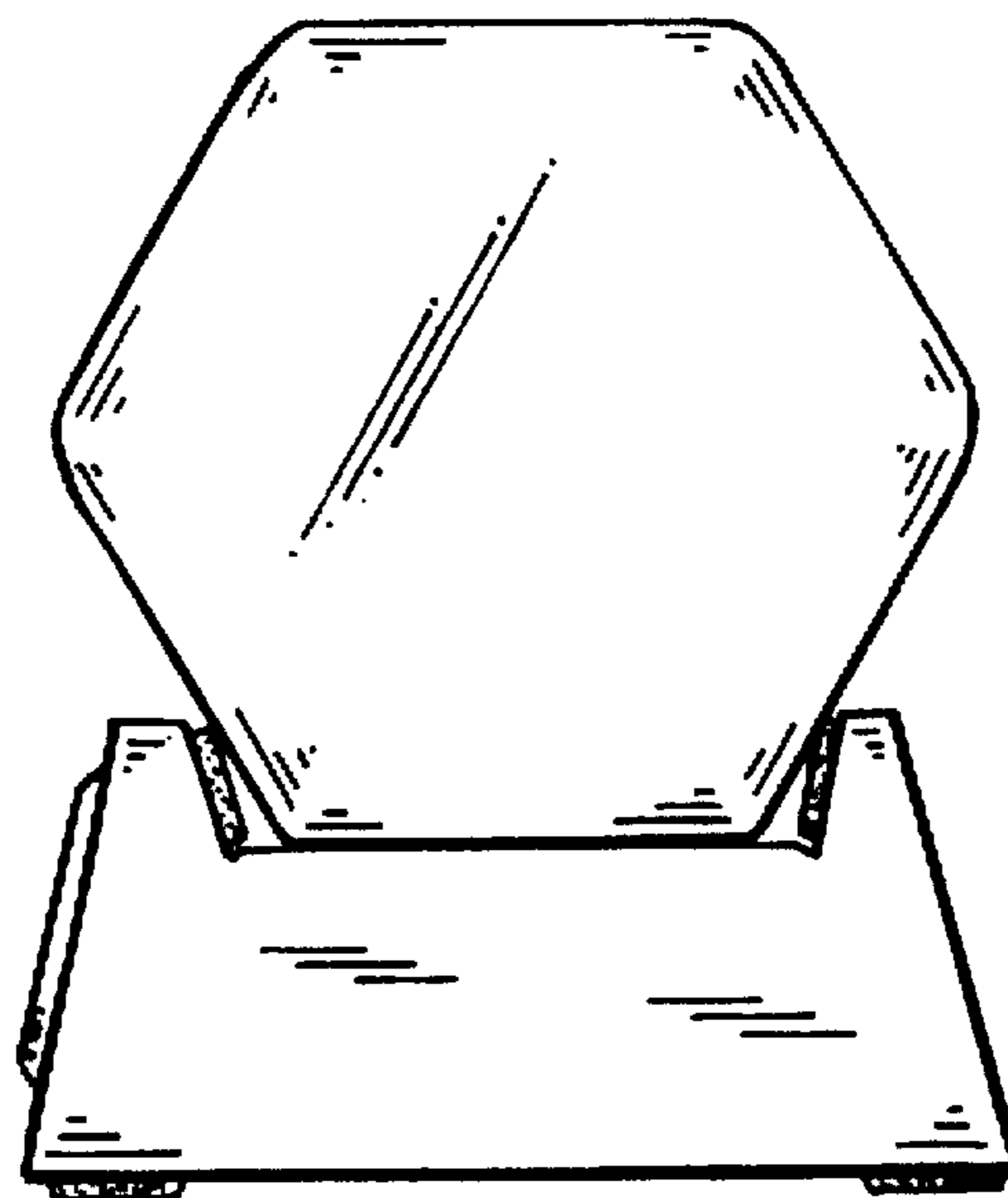


FIG. 5.

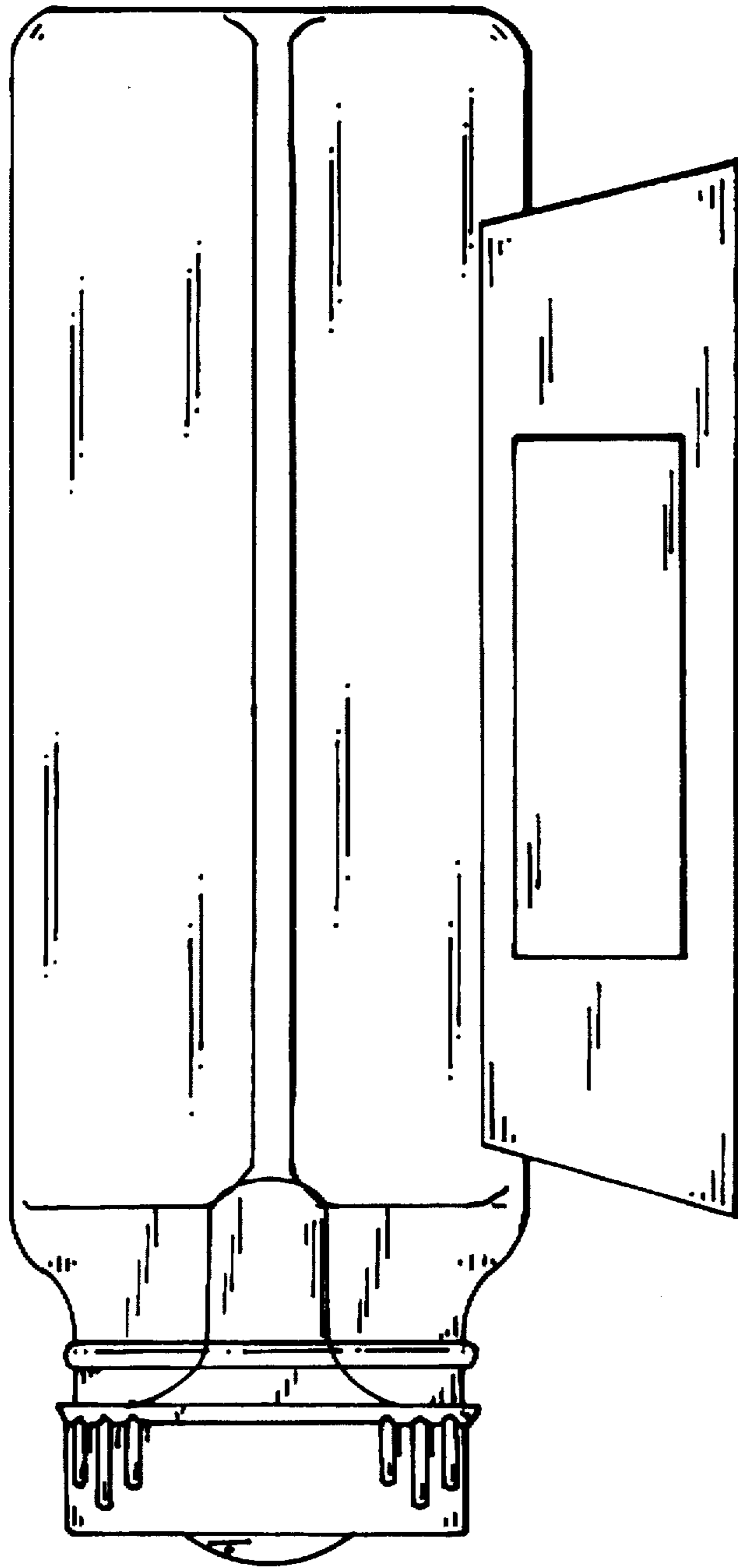


FIG. 6.

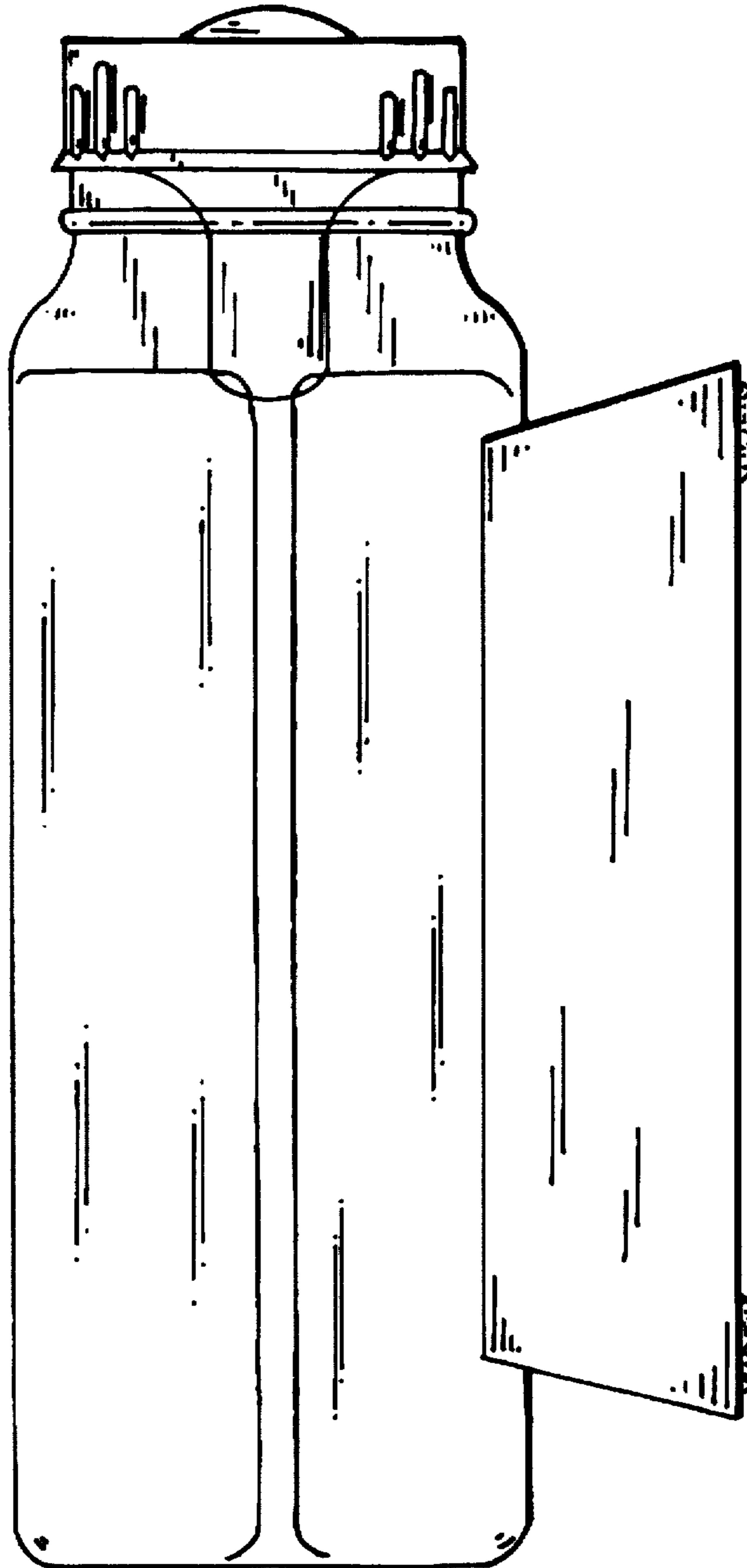


FIG. 7.