



US00D396928S

United States Patent [19]

Hahn et al.

[11] Patent Number: **Des. 396,928**

[45] Date of Patent: ****Aug. 11, 1998**

[54] **FORK LIFT**

[75] Inventors: **Chul Hwan Hahn; Jae Min Kim; Taek Woo Lee**, all of Changwon, Rep. of Korea

[73] Assignee: **Samsung Heavy Industries Co., Ltd.**, Rep. of Korea

[**] Term: **14 Years**

[21] Appl. No.: **64,104**

[22] Filed: **Dec. 23, 1996**

[30] Foreign Application Priority Data

Dec. 10, 1996 [KR] Rep. of Korea 1996-26250

[51] LOC (6) Cl. **12-05**

[52] U.S. Cl. **D34/34**

[58] Field of Search D34/28, 33, 34, D34/37; 187/222; 414/685

[56] References Cited

U.S. PATENT DOCUMENTS

D. 353,704 12/1994 Bhambra D34/37

D. 354,604 1/1995 Soederberg D34/34
D. 355,291 2/1995 Soederberg D34/28
4,249,854 2/1981 Teti 414/685

Primary Examiner—Doris Clark
Attorney, Agent, or Firm—Harness, Dickey & Pierce, P.L.C.

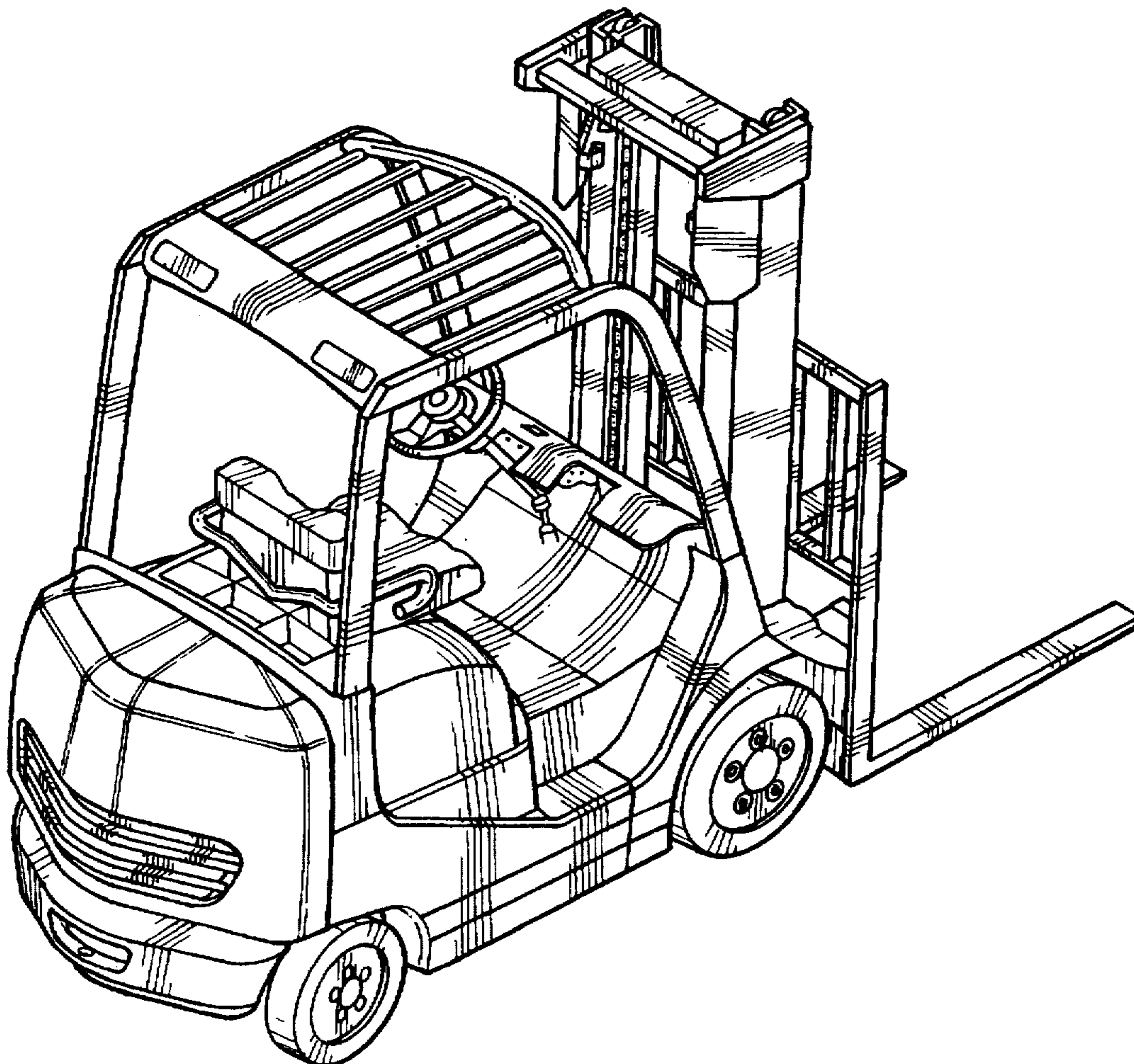
[57] CLAIM

The ornamental design for a fork lift, as shown and described.

DESCRIPTION

FIG. 1 is a perspective view of a fork lift according to our design;
FIG. 2 is a front view of a fork lift according to our design;
FIG. 3 is a rear view of a fork lift according to our design;
FIG. 4 is a left side view of a fork lift according to our design;
FIG. 5 is a right side view of a fork lift according to our design;
FIG. 6 is a top view of a fork lift according to our design; and,
FIG. 7 is a bottom view of a fork lift according to our design.

1 Claim, 4 Drawing Sheets



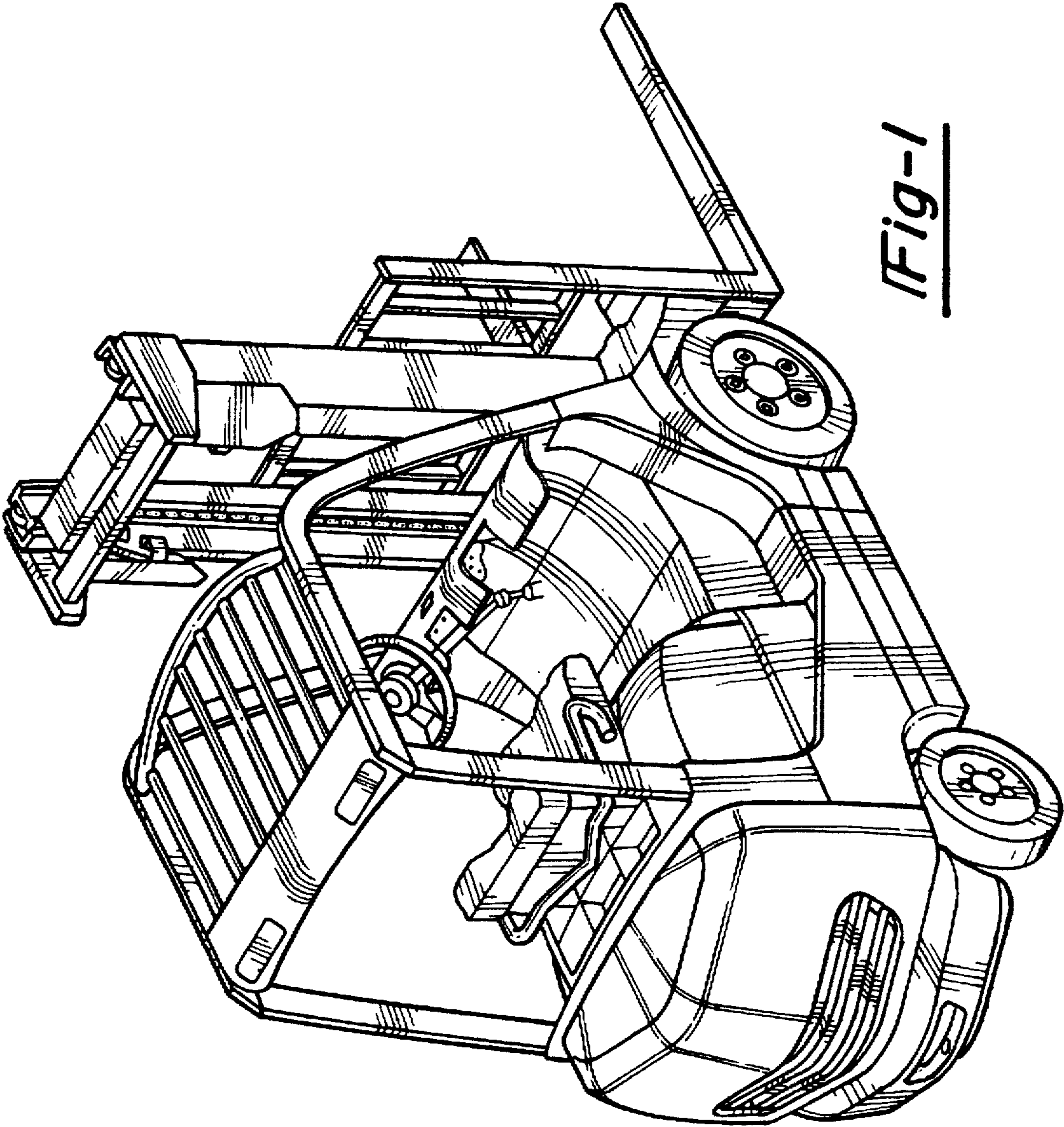


Fig-1

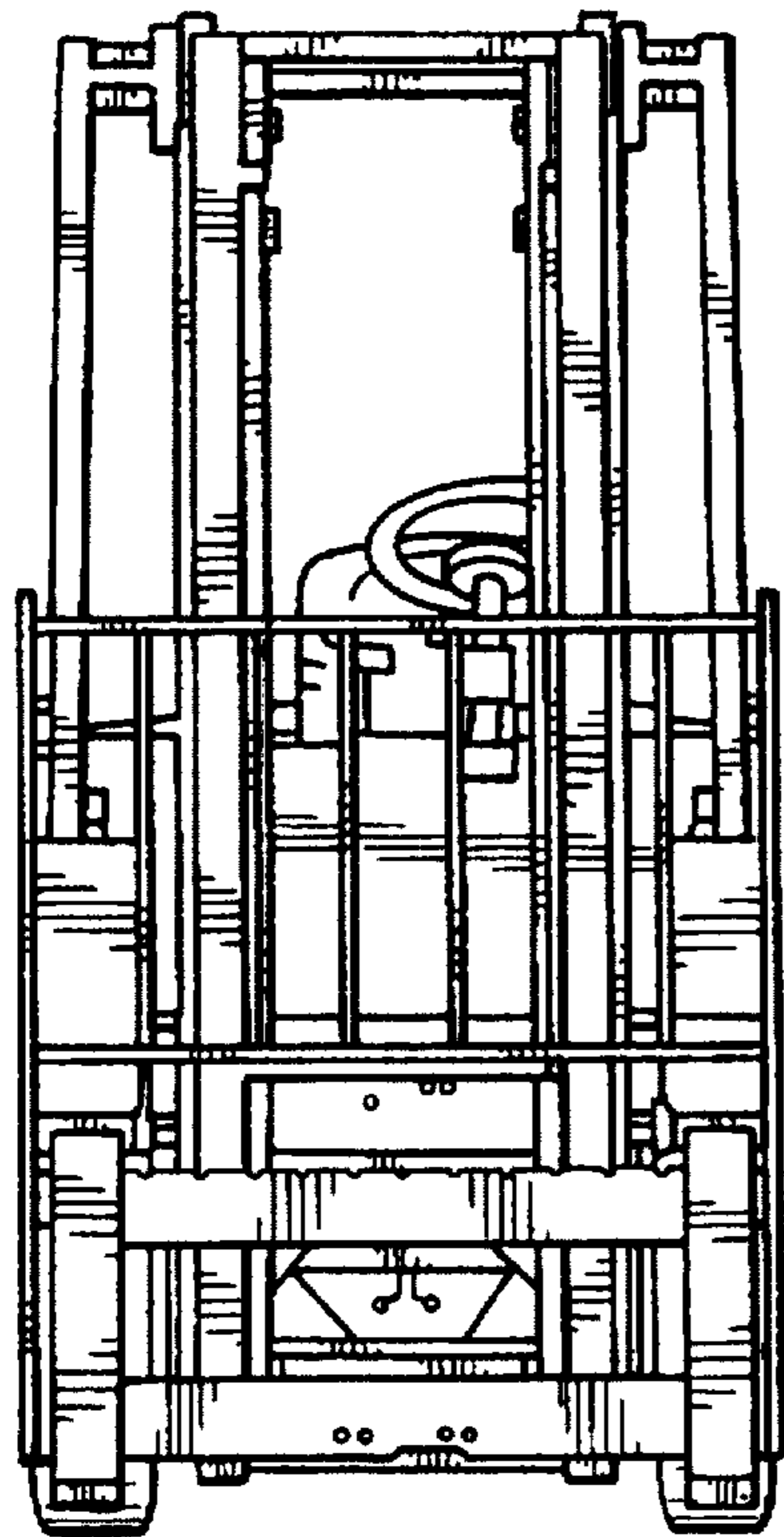


Fig-2

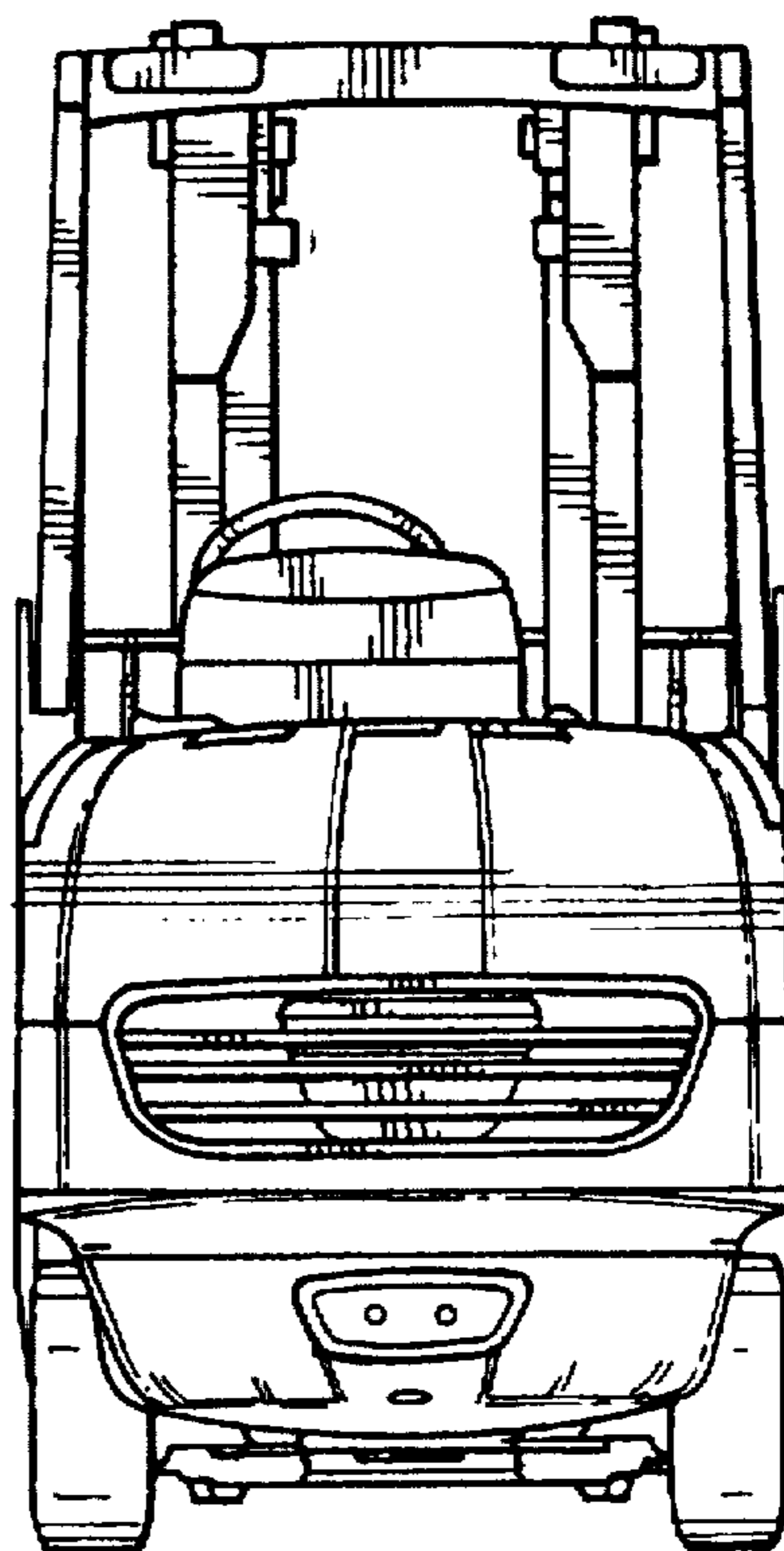
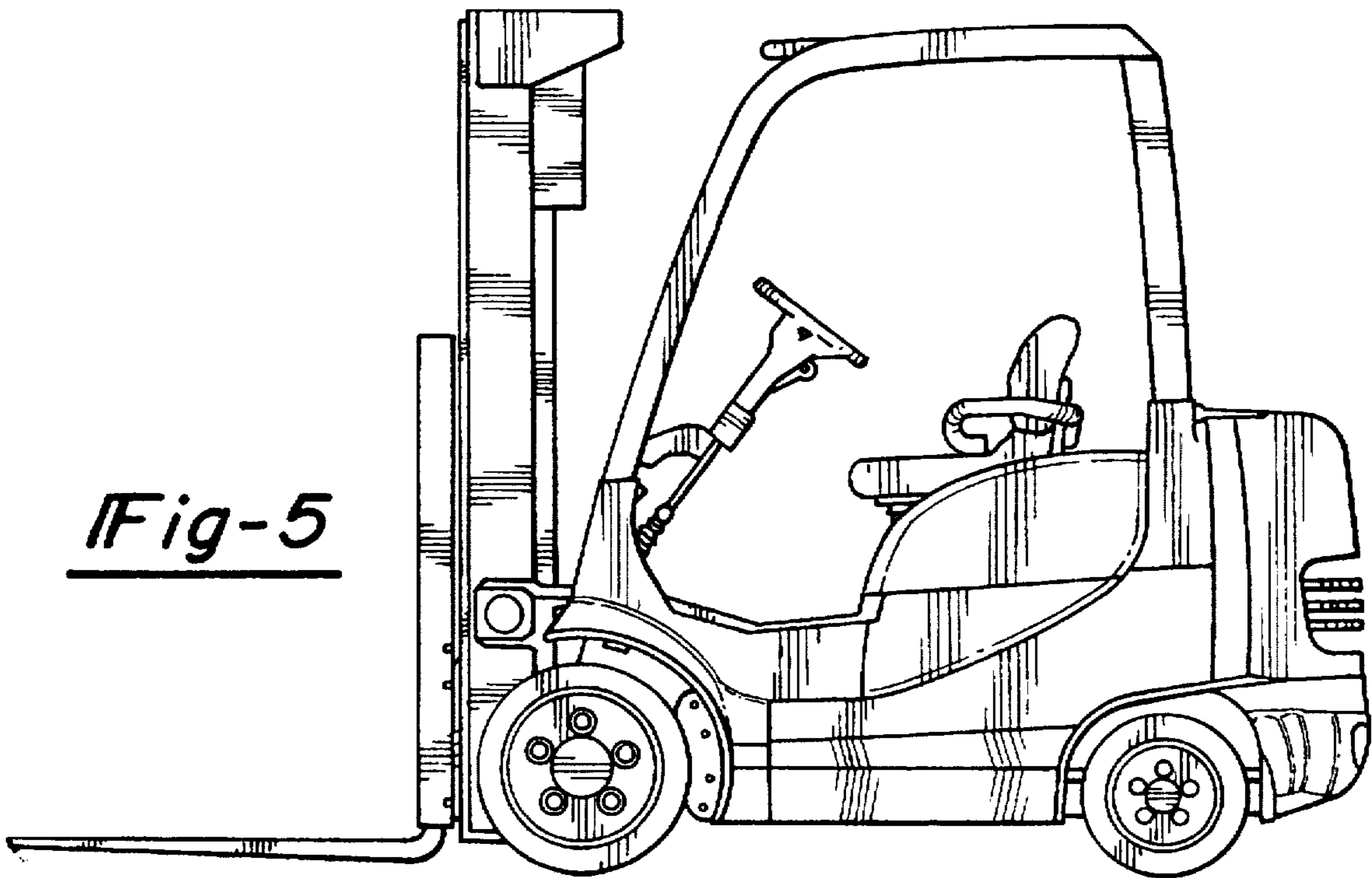
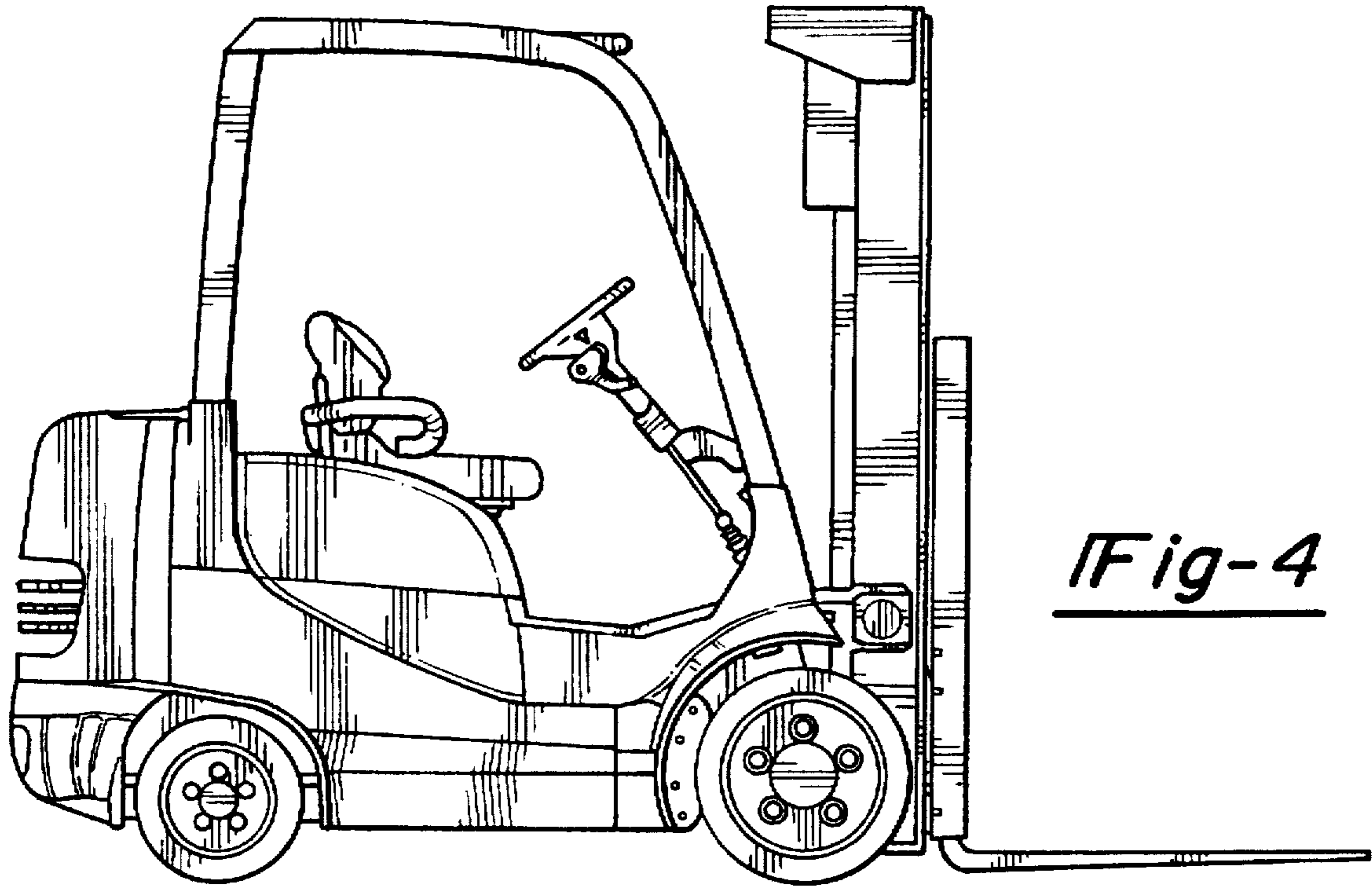


Fig-3



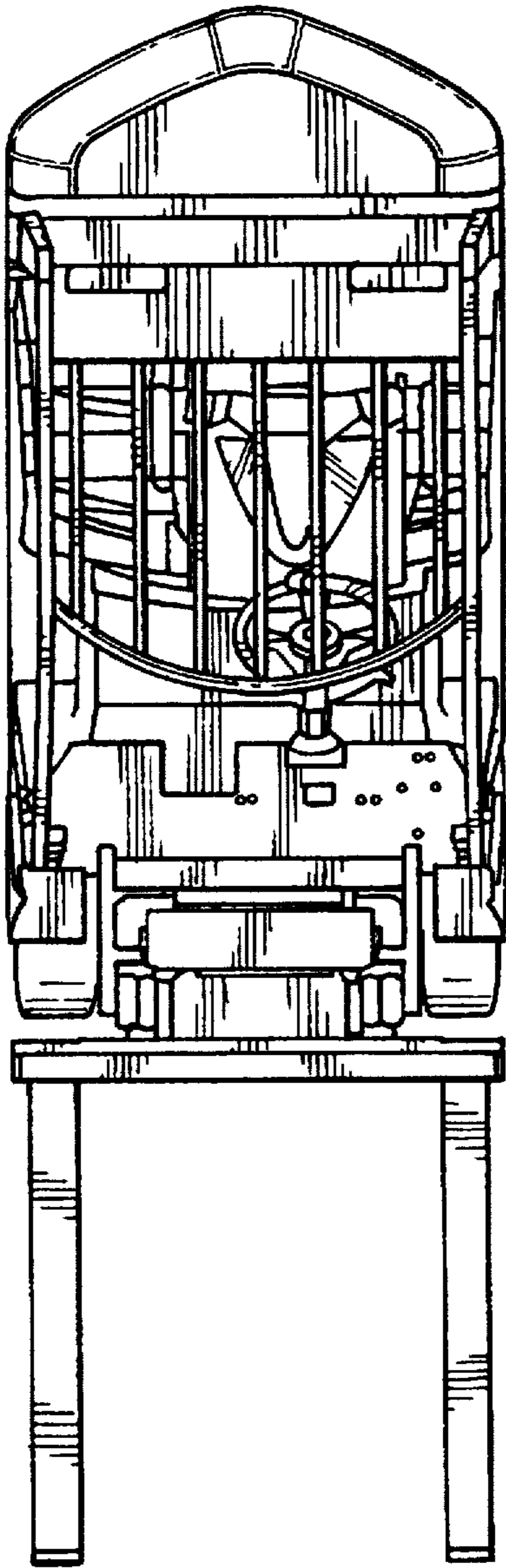


Fig-7

Fig-6

