



US00D396926S

United States Patent [19]

Underhill et al.

[11] Patent Number: Des. 396,926

[45] Date of Patent: **Aug. 11, 1998

[54] JACK-STAND

[76] Inventors: Victor H. Underhill, Underhill's Lane, R.R. #1; Allison Gordon, R.R. #1, both of Gagetown, New Brunswick, Canada, E0G 1V0

[**] Term: 14 Years

[21] Appl. No.: 75,689

[22] Filed: Aug. 25, 1997

[51] LOC (6) Cl. 12-05

[52] U.S. Cl. D34/31

[58] Field of Search D34/28, 31; 254/8 B, 254/8 R, 11, 84, 88, 93 H, 426

[56] References Cited

U.S. PATENT DOCUMENTS

D. 327,764	7/1992	Davis	D34/31
D. 345,844	4/1994	Steele	D34/31
D. 348,966	7/1994	Guyton	D34/31
D. 357,786	4/1995	Nichols	D34/31
1,977,524	10/1934	Naturkacz	254/93 H
4,690,361	9/1987	Lundman	D34/31

Primary Examiner—Alan P. Douglas
Assistant Examiner—Robin V. Taylor
Attorney, Agent, or Firm—Mario D. Theriault

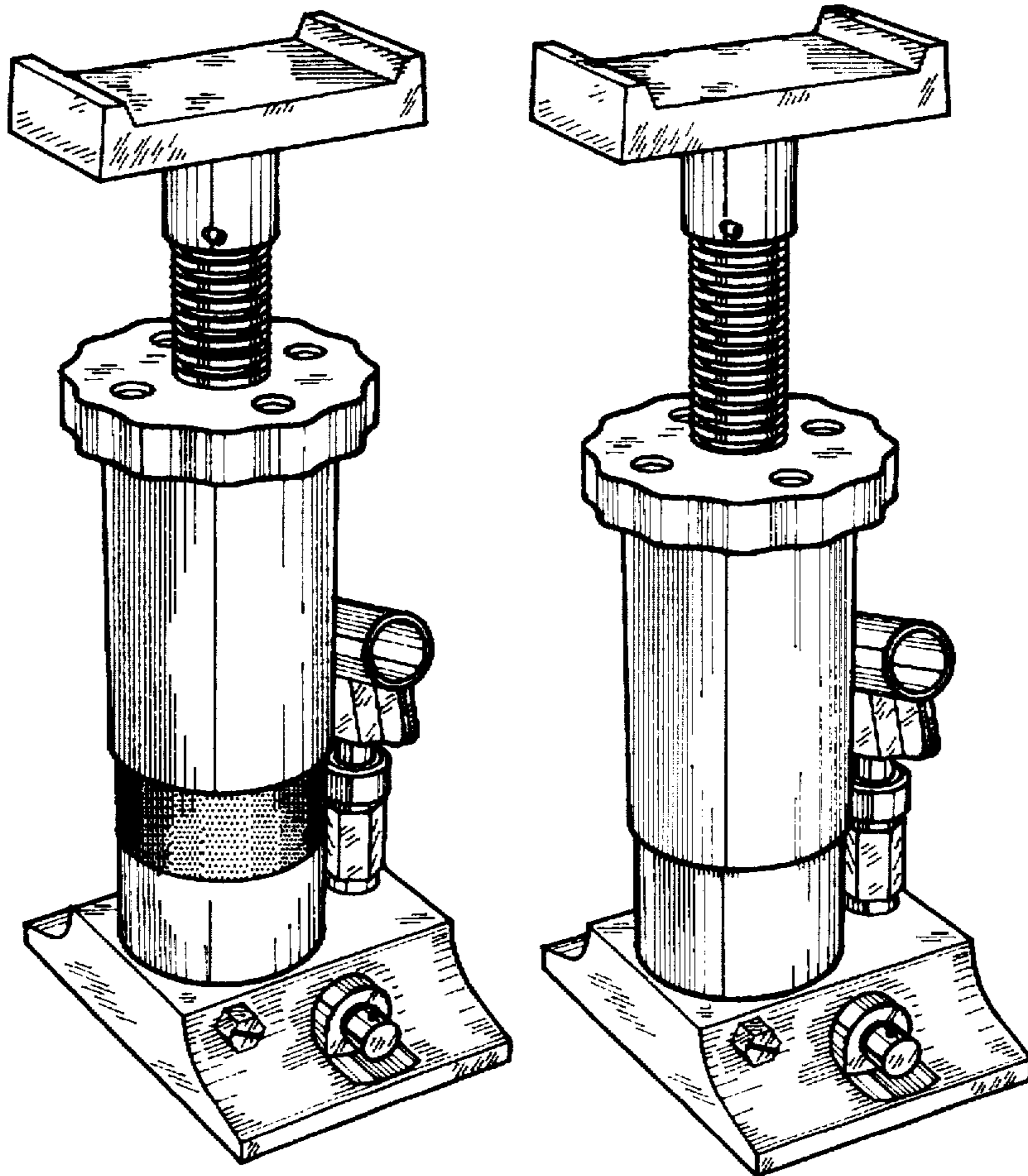
[57] CLAIM

The ornamental design for a jack-stand, as shown and described.

DESCRIPTION

FIG. 1 is a front, left side and top perspective view of a jack-stand showing our new design. The toothed-disc-topped sleeve of the jack-stand is illustrated therein in a first position and the dotted shading represents the color red; FIG. 2 is also a front, left side and top perspective view thereof, showing the toothed-disc-topped sleeve in a second position; FIG. 3 is a right elevation view with the sleeve in first position; FIG. 4 is a plan view thereof; FIG. 5 is a left side elevation view thereof; FIG. 6 is a front elevation view thereof; and FIG. 7 is a rear elevation view thereof.

1 Claim, 3 Drawing Sheets



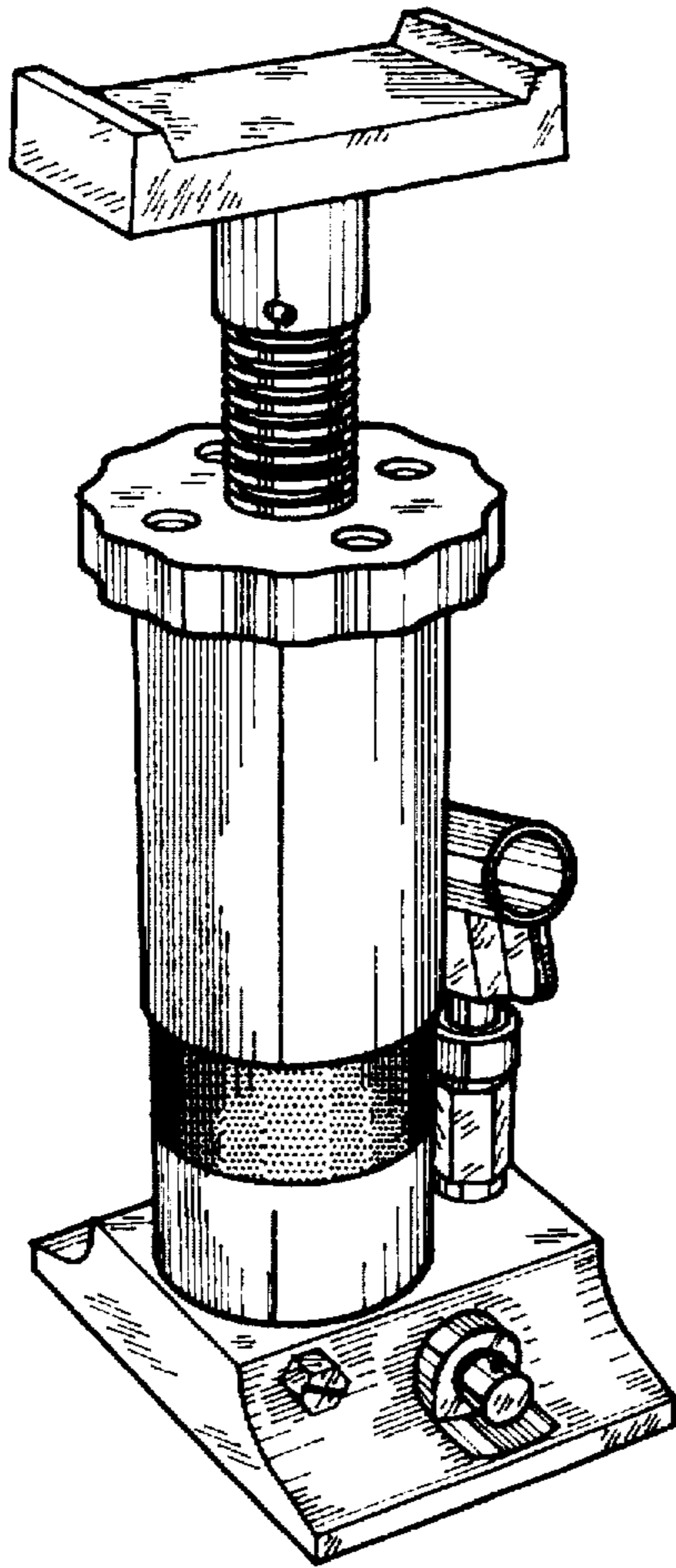


FIG. 1

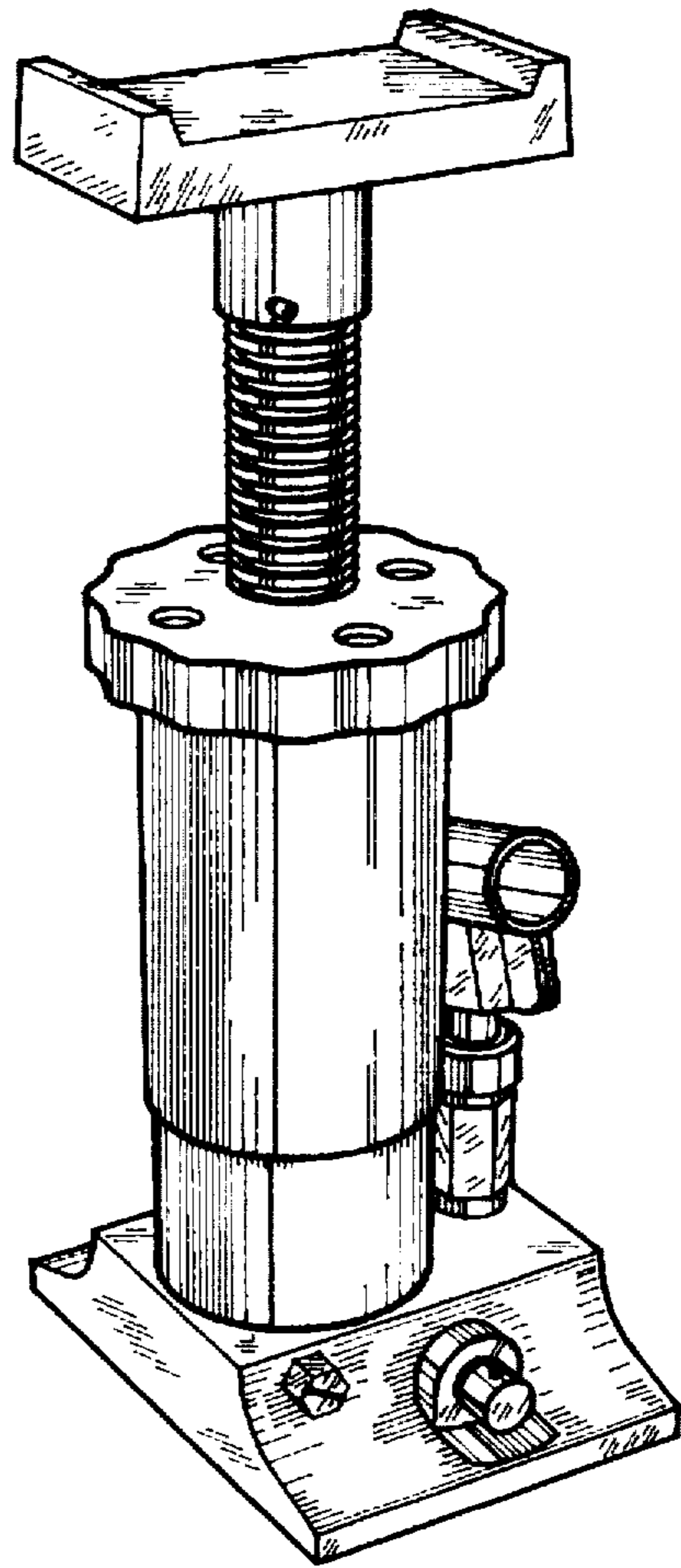


FIG. 2

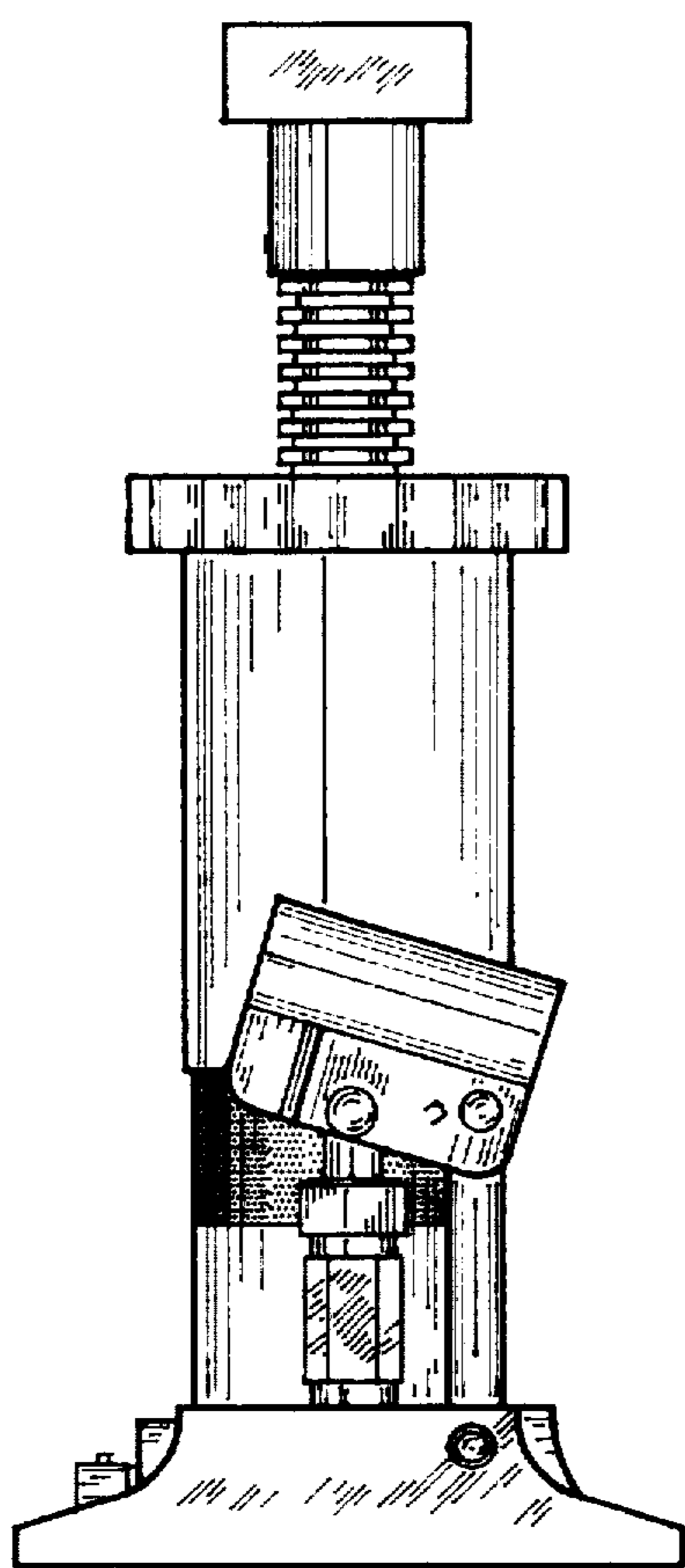


FIG. 3

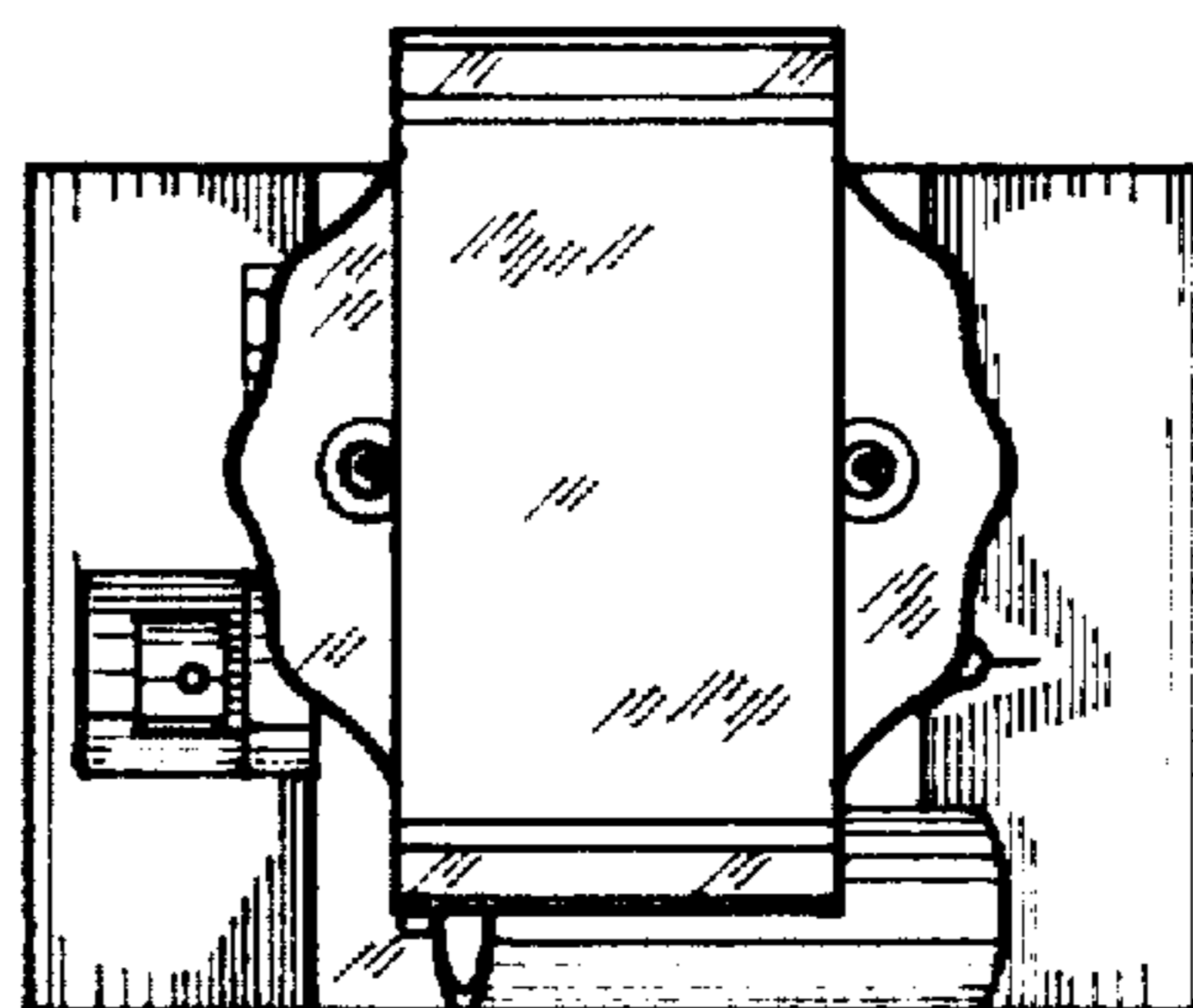


FIG. 4

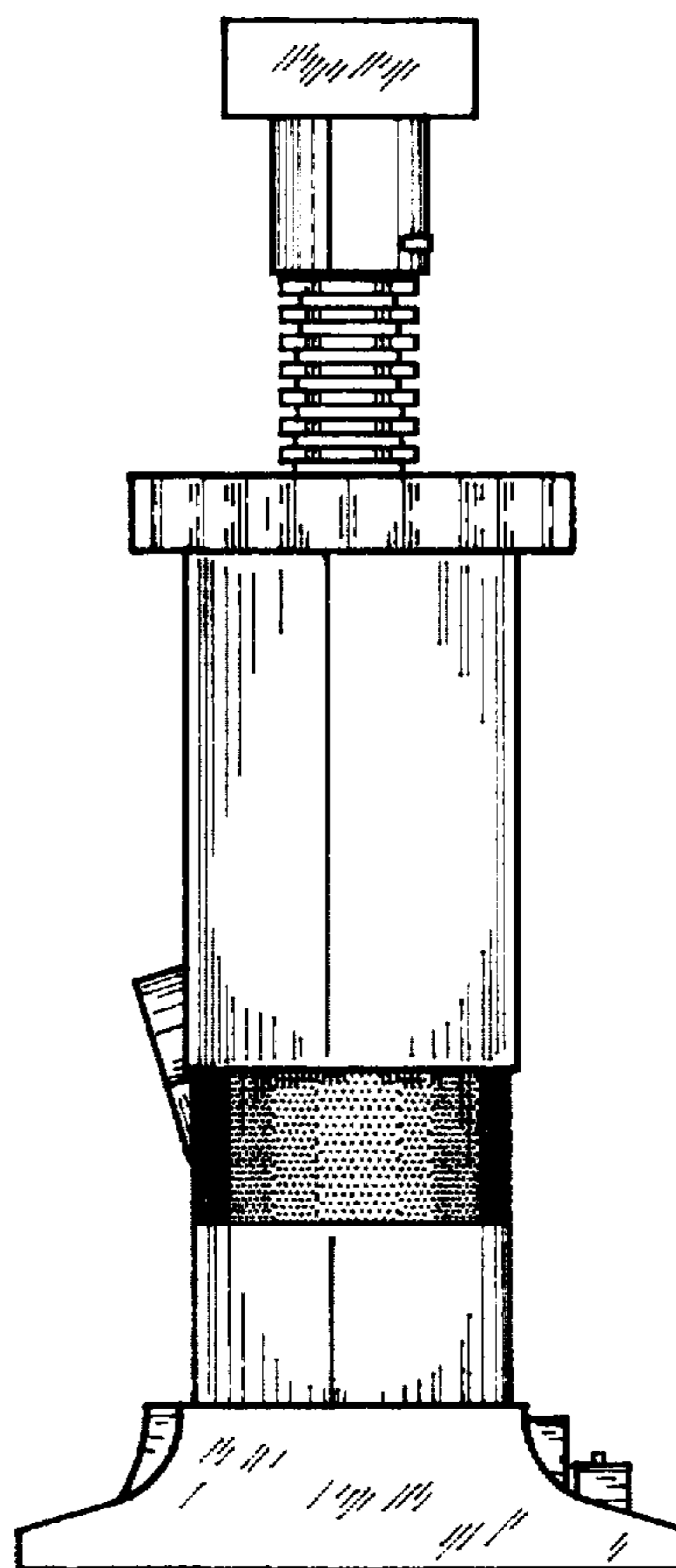


FIG. 5

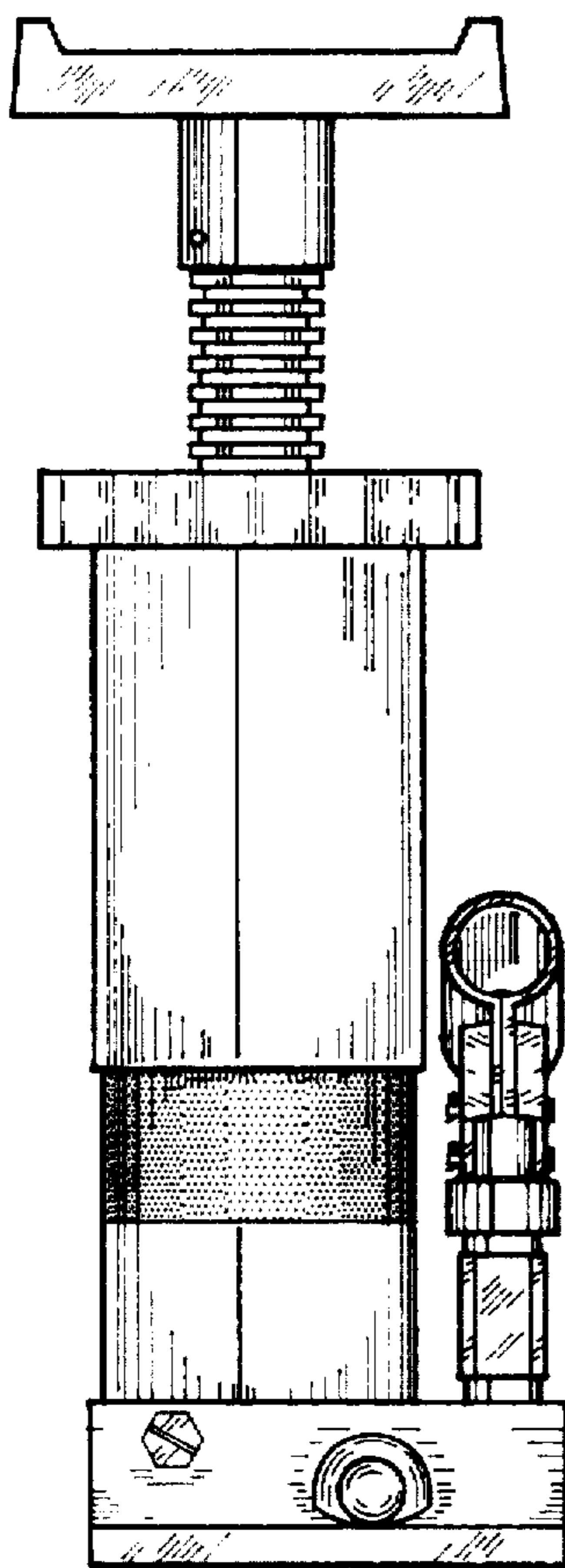


FIG. 6

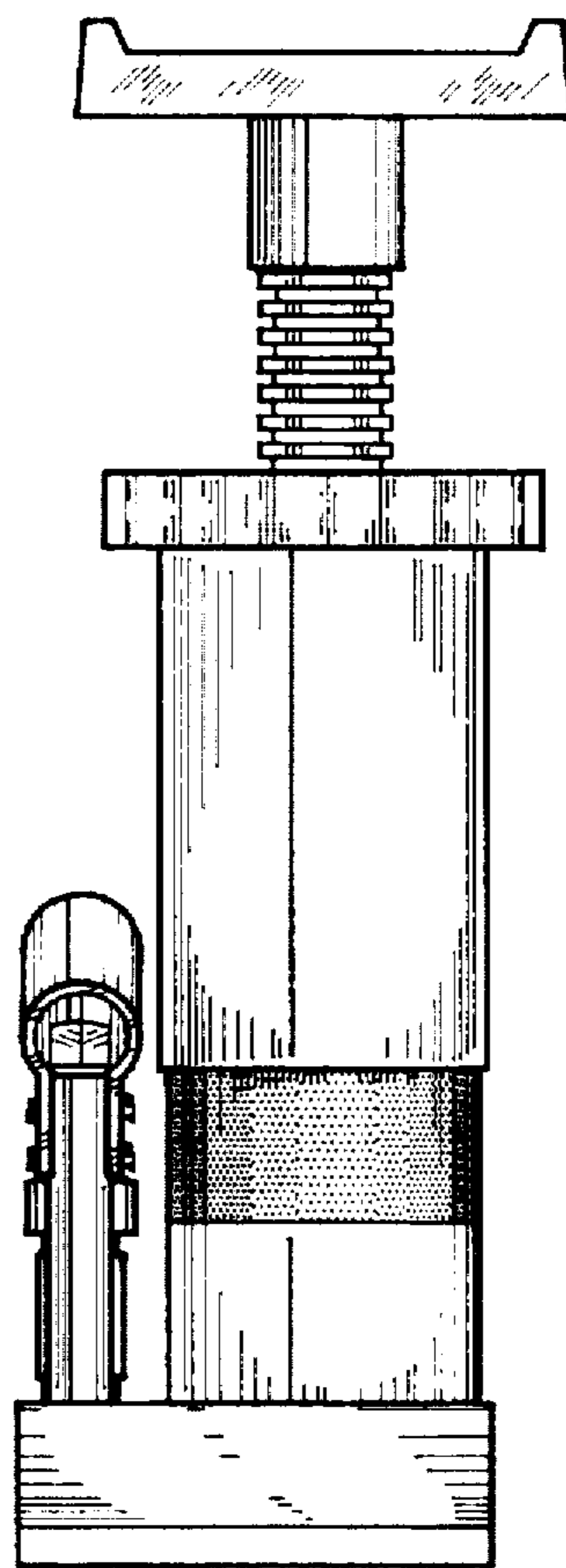


FIG. 7