



US00D396925S

# United States Patent [19]

Kessler et al.

[11] Patent Number: Des. 396,925

[45] Date of Patent: \*\*Aug. 11, 1998

[54] HANDLE FOR A CART

[75] Inventors: William L. Kessler; Robert E. Moran, Jr., both of Sheboygan, Wis.

[73] Assignee: The Vollrath Company, L.L.C., Sheboygan, Wis.

[\*\*] Term: 14 Years

[21] Appl. No.: 65,204

[22] Filed: Jan. 23, 1997

[51] LOC (6) Cl. .... 12-02

[52] U.S. Cl. .... D34/27

[58] Field of Search ..... D34/12-27; 280/30, 280/645, 47.35, 47.36, 47.34, 79.11, 79.2, 79.3; 211/187; D8/370, 14; 248/302, 303; D12/174, 178

### [56] References Cited

#### U.S. PATENT DOCUMENTS

D. 192,711	5/1962	Edelman	.....	D34/18 X
D. 203,388	1/1966	Belle	.	
D. 208,448	8/1967	Fritz	.....	D12/178
D. 260,753	9/1981	Partian	.....	D34/17
D. 311,080	10/1990	Arnott et al.	.....	D34/21
D. 362,528	9/1995	Shannon et al.	.....	D34/17 X
D. 363,590	10/1995	Kazmerchek et al.	.....	D34/21
3,024,547	3/1962	Harrison	.....	D8/10 X
3,118,684	1/1964	Kappen	.	
4,428,570	1/1984	Foshee et al.	.	
4,458,906	7/1984	Lamson	.....	280/47.34
4,998,023	3/1991	Kitts	.....	280/47.35
4,998,742	3/1991	Maynard	.....	280/35
5,244,220	9/1993	Cortez	.....	280/47.26
5,529,322	6/1996	Barton	.....	280/30

Primary Examiner—Susan L. Lucas  
Assistant Examiner—Cynthia E. Ramirez  
Attorney, Agent, or Firm—Foley & Lardner

### [57] CLAIM

The ornamental design for a handle for a cart, as shown and described.

### DESCRIPTION

FIG. 1 is a perspective view of a handle for a cart showing our new design;  
 FIG. 2 is a front elevational view thereof;  
 FIG. 3 is a top plan view thereof;  
 FIG. 4 is a bottom plan view thereof;  
 FIG. 5 is a back elevational view thereof;  
 FIG. 6 is a right-side elevational view thereof wherein the left-side elevational view is a mirror image of the right;  
 FIG. 7 is a front elevational view of a second embodiment of the handle shown in FIG. 1;  
 FIG. 8 is a top plan view of the second embodiment of the handle;  
 FIG. 9 is a front elevational view of a third embodiment of the handle shown in FIG. 1;  
 FIG. 10 is a top plan view of the third embodiment of the handle;  
 FIG. 11 is a front elevational view of a fourth embodiment of the handle shown in FIG. 1;  
 FIG. 12 is a top plan view of the fourth embodiment of the handle; and,  
 FIG. 13 is a perspective view of a fifth embodiment of the handle shown in FIG. 1.  
 The broken line showings of the cart and screw holes are for illustrative purposes only and form no part of the claimed design.

1 Claim, 6 Drawing Sheets

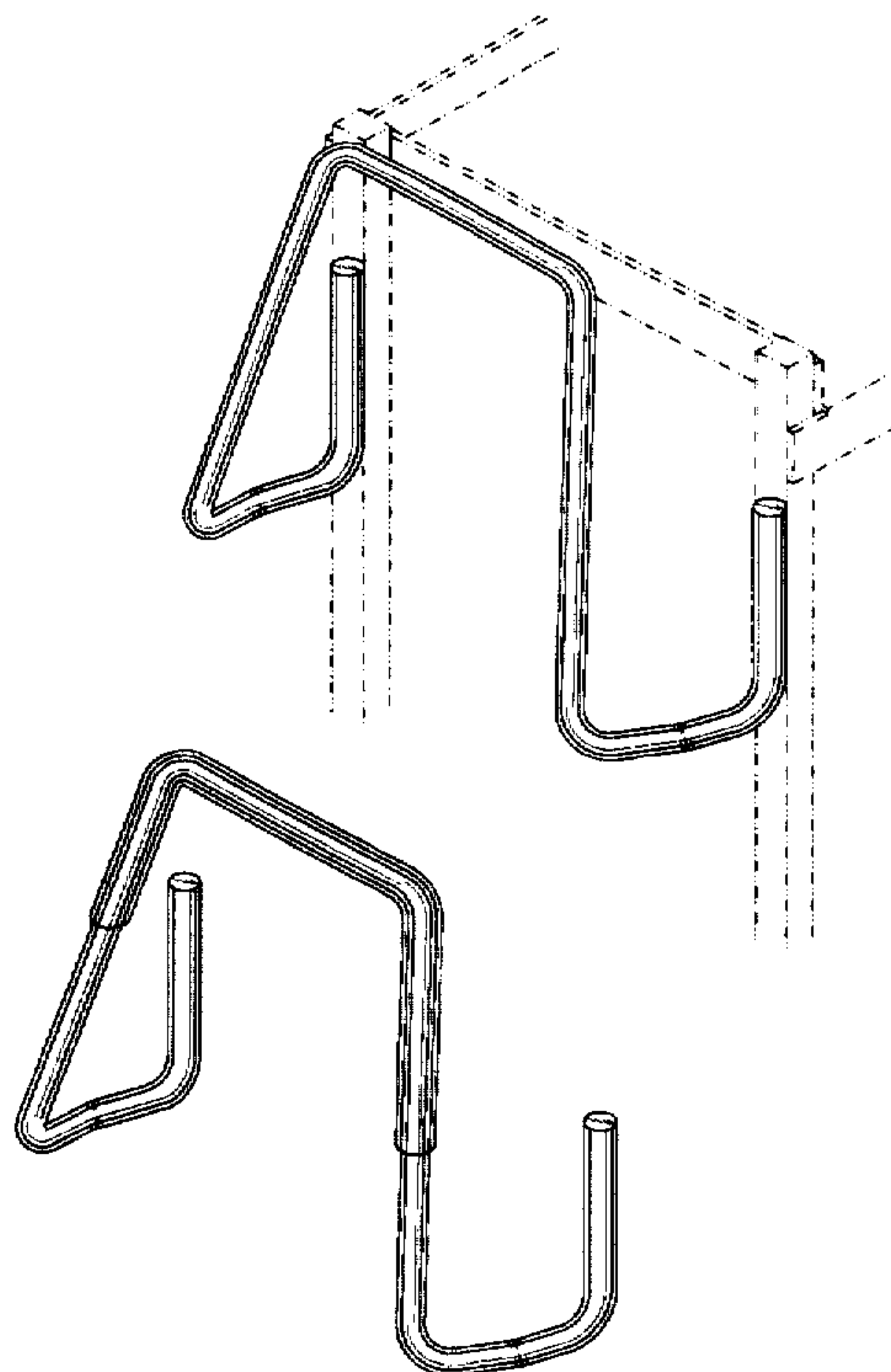


FIG. 1

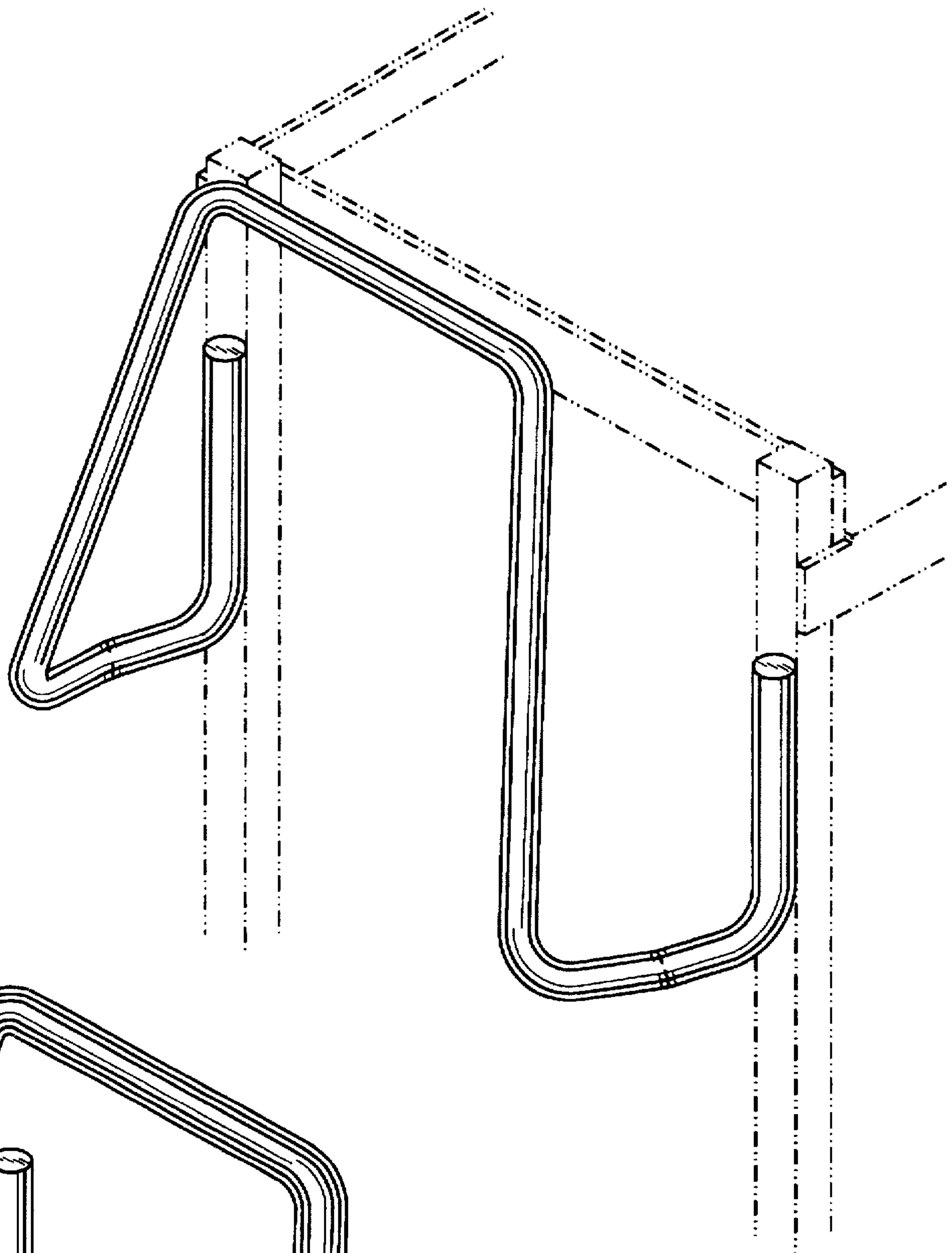
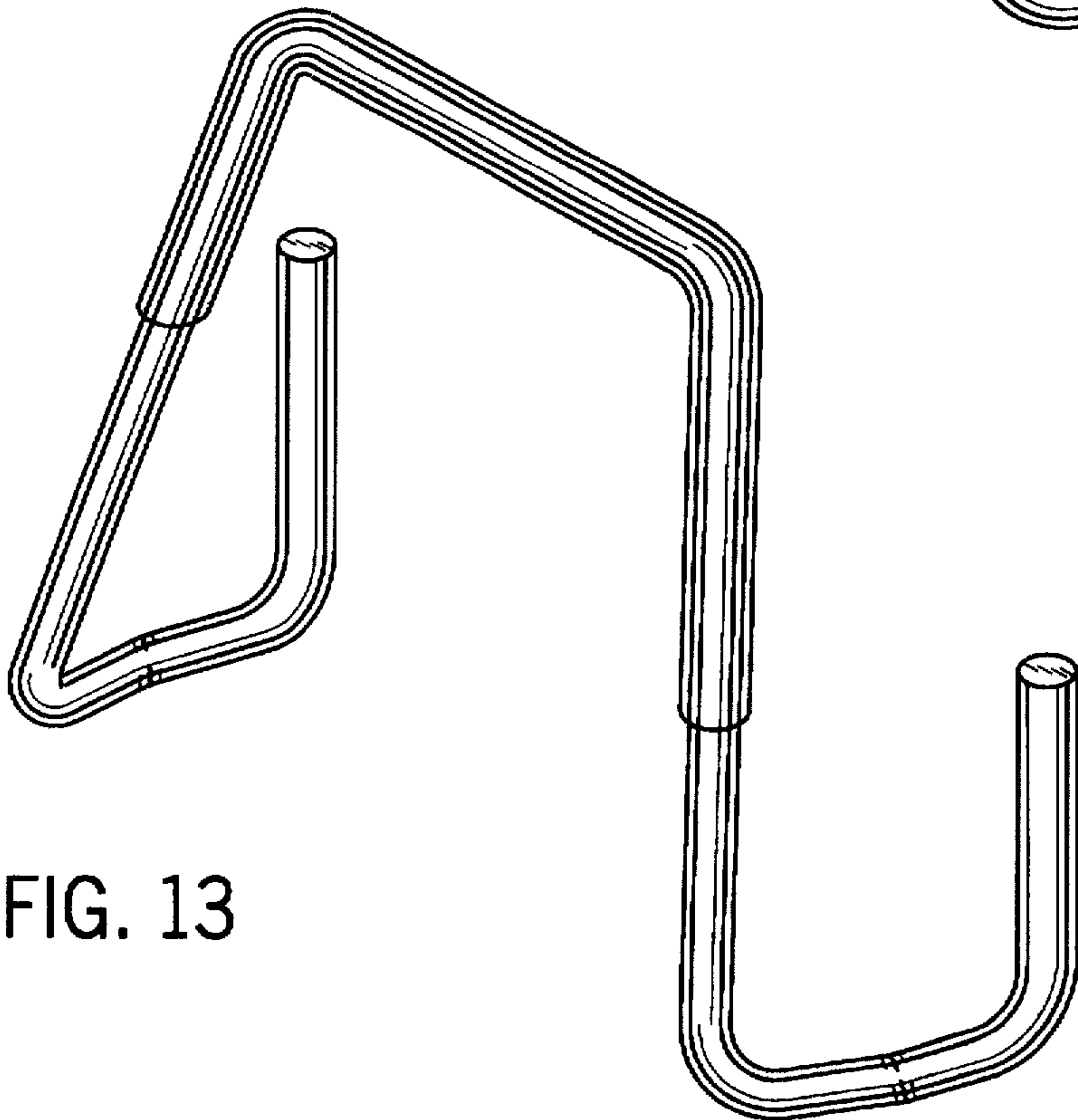


FIG. 13



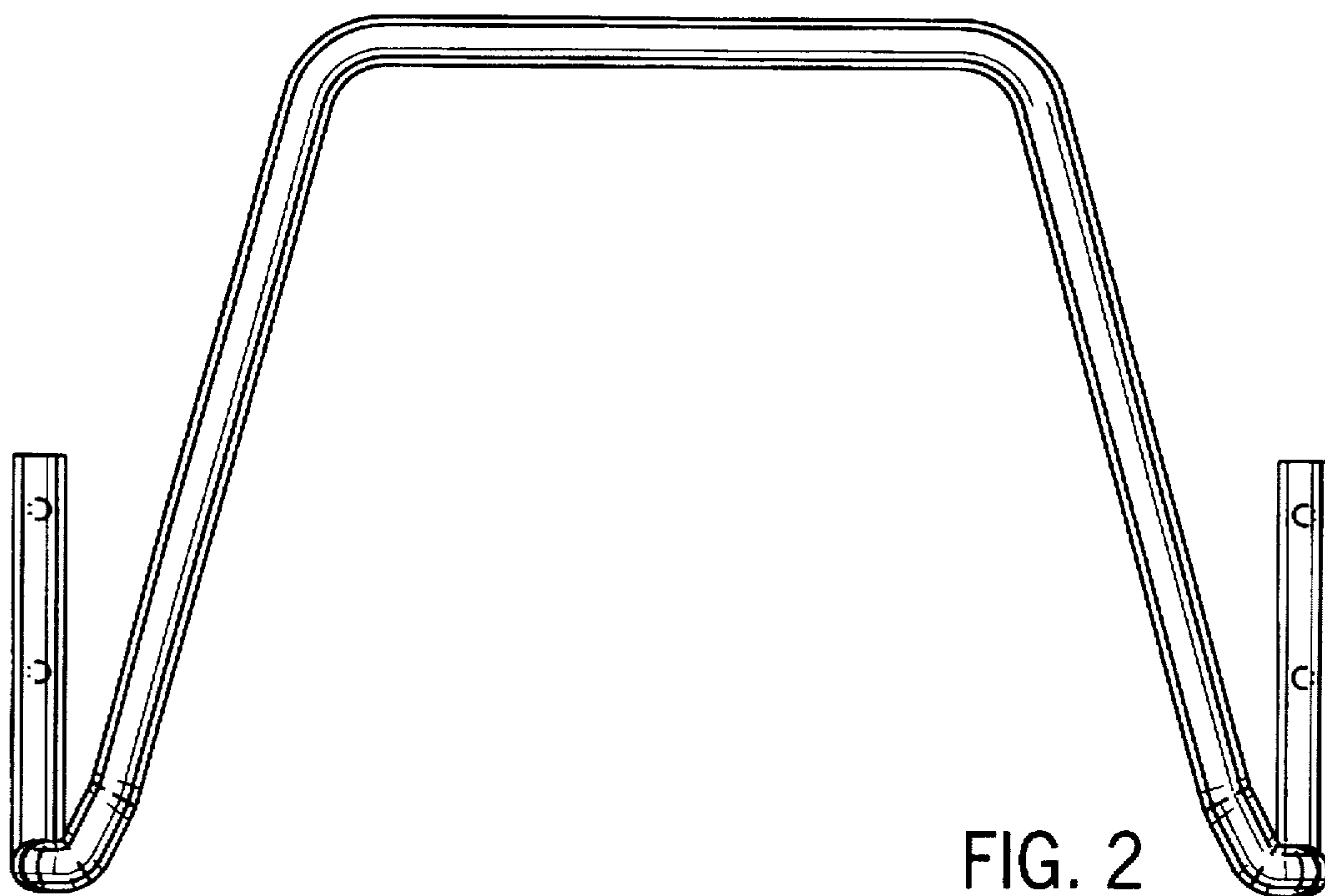


FIG. 2

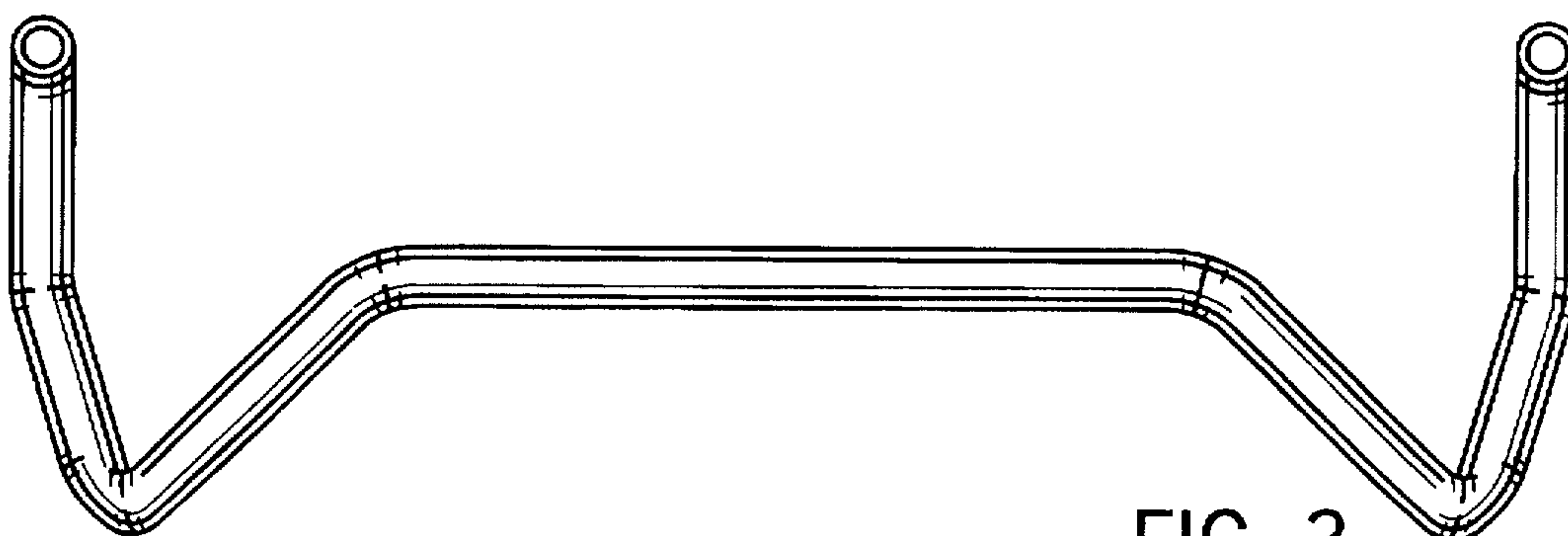


FIG. 3

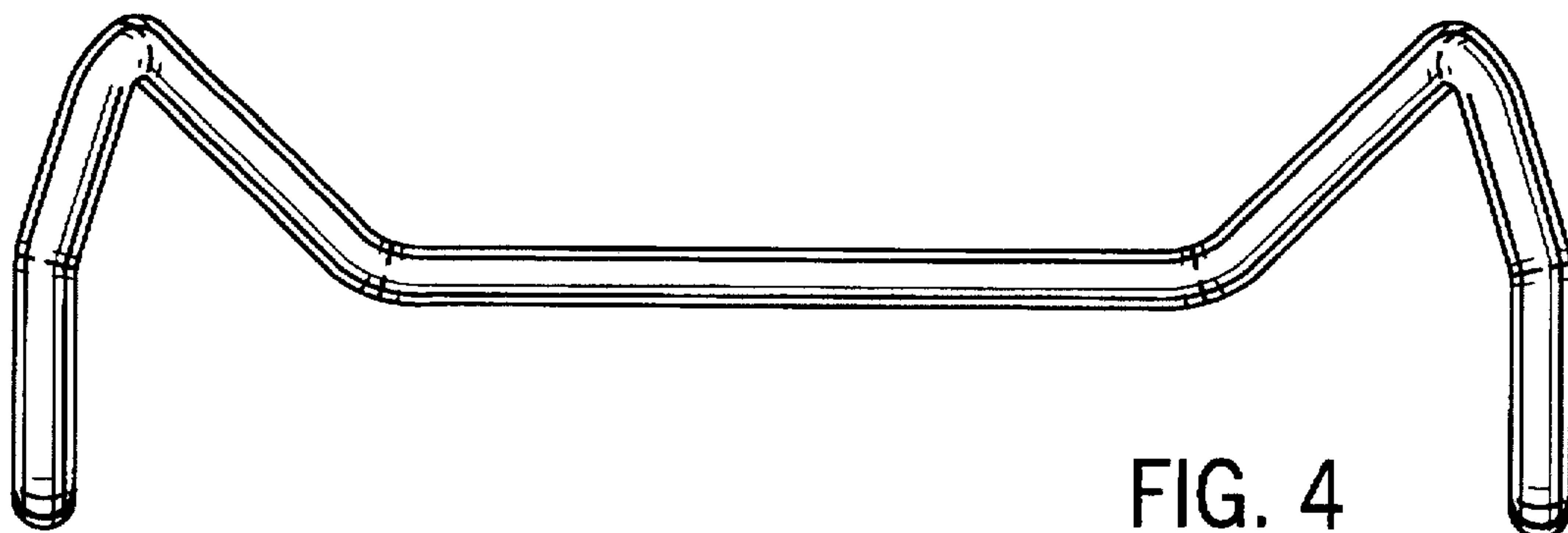


FIG. 4

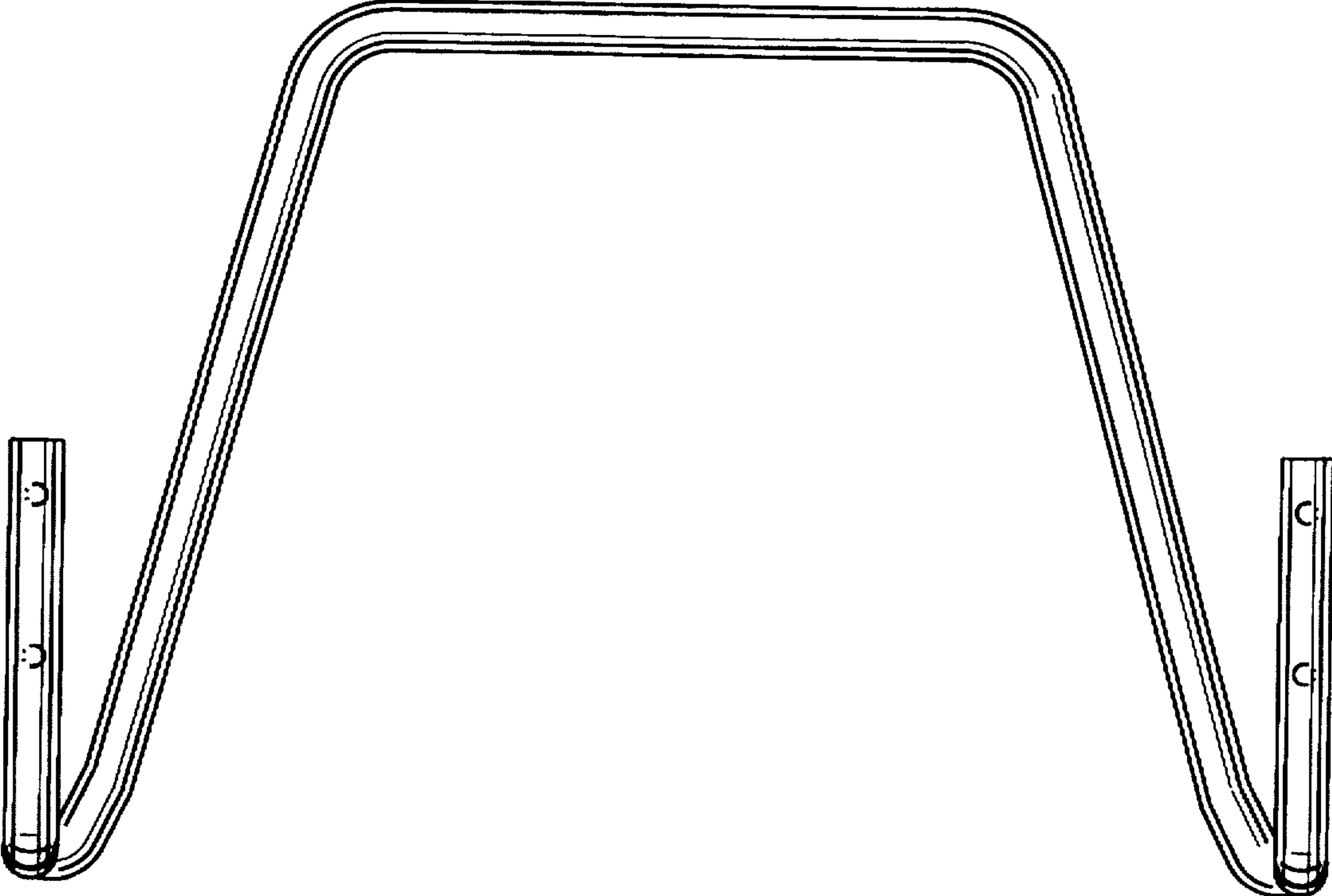


FIG. 5

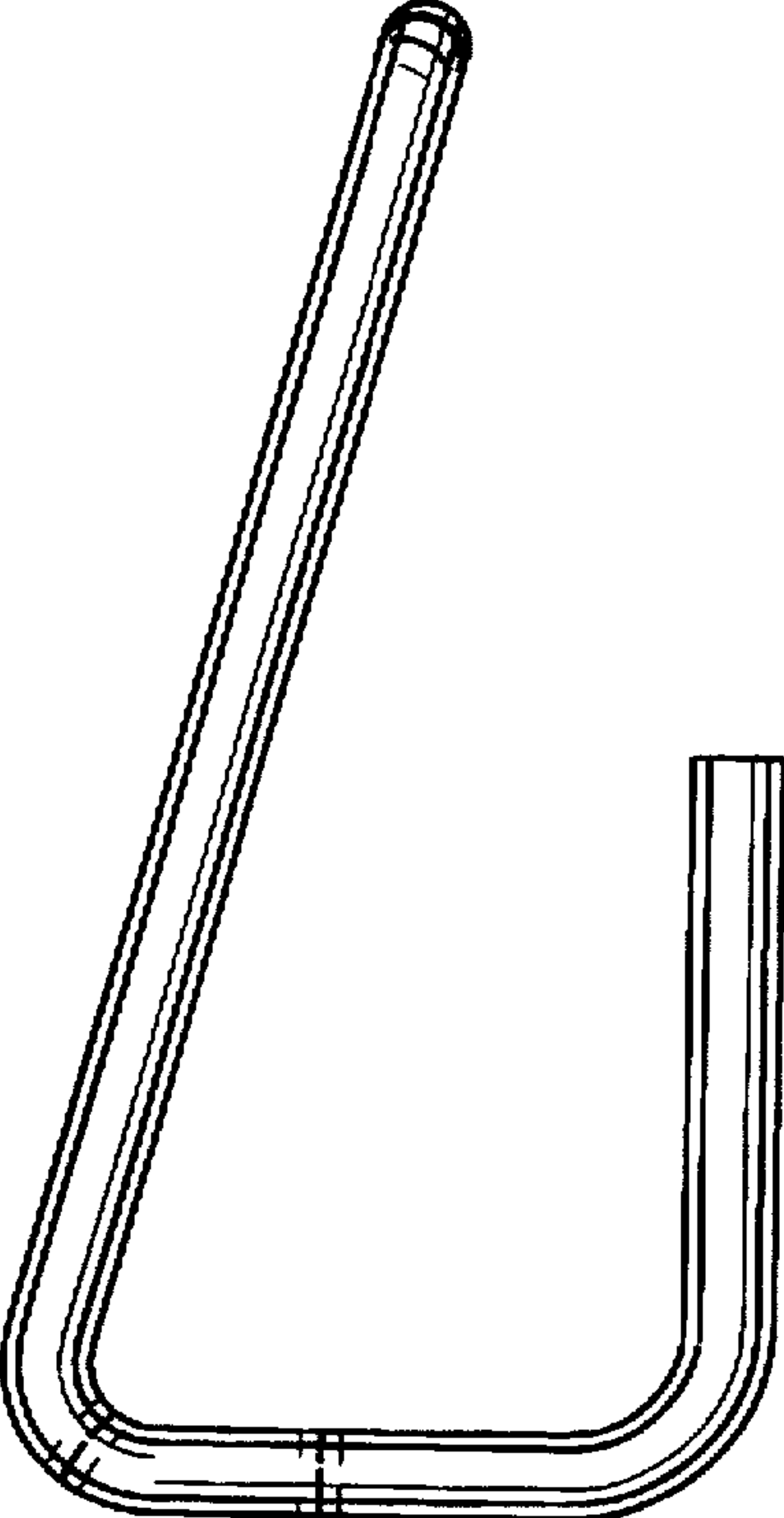


FIG. 6



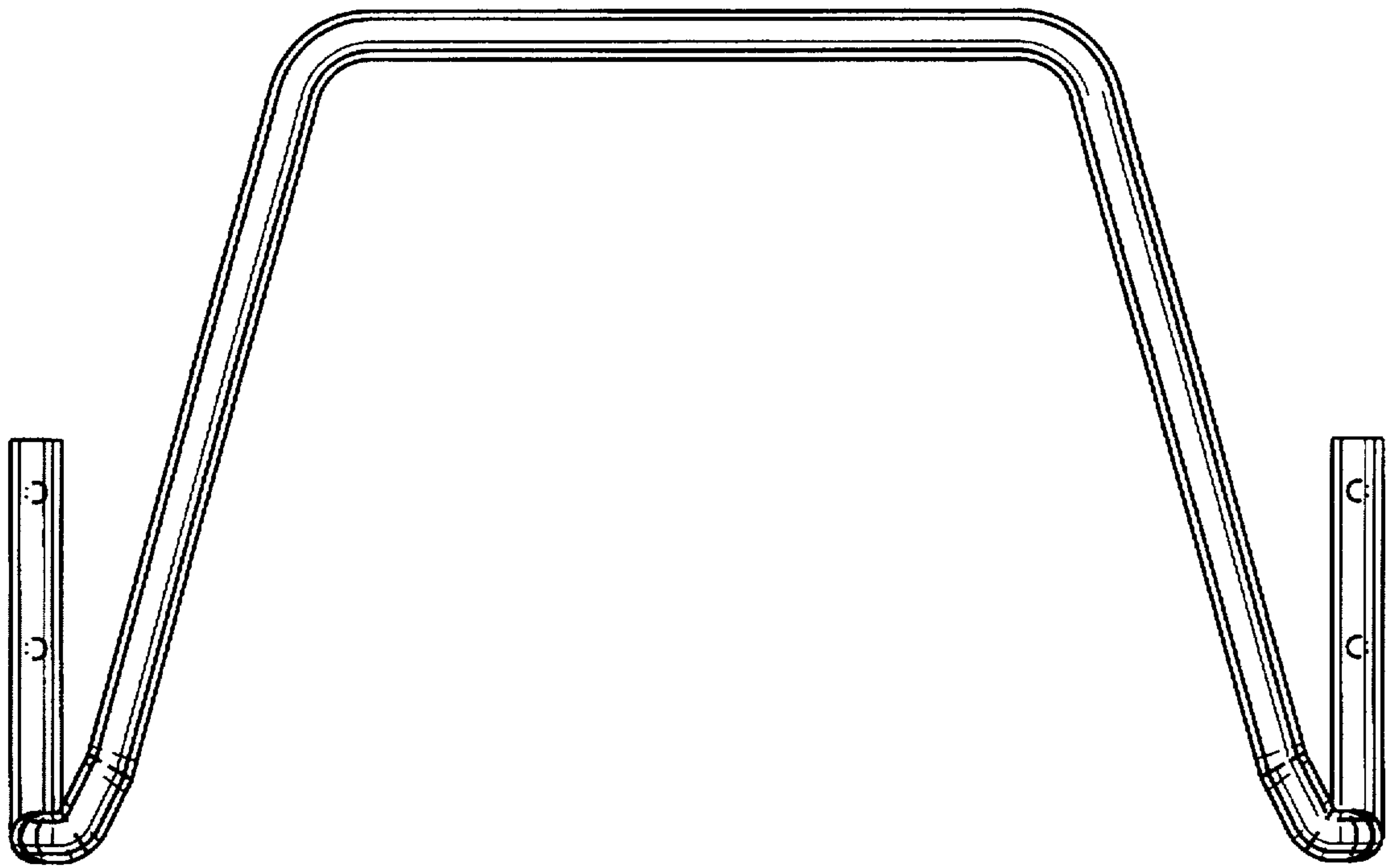


FIG. 7

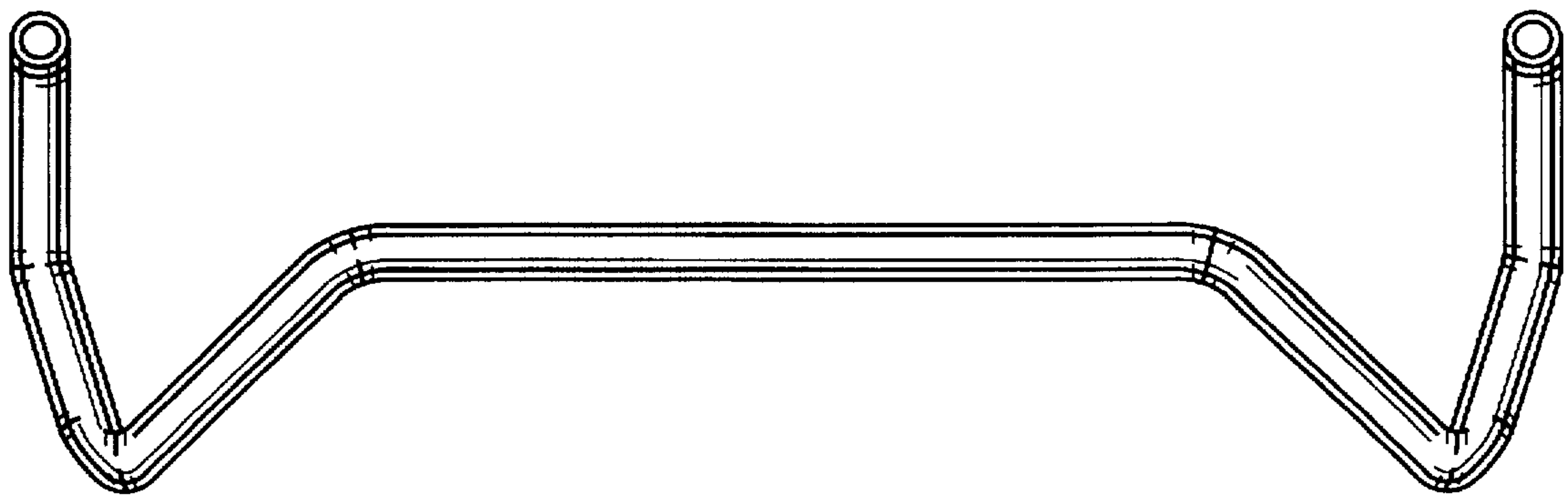


FIG. 8

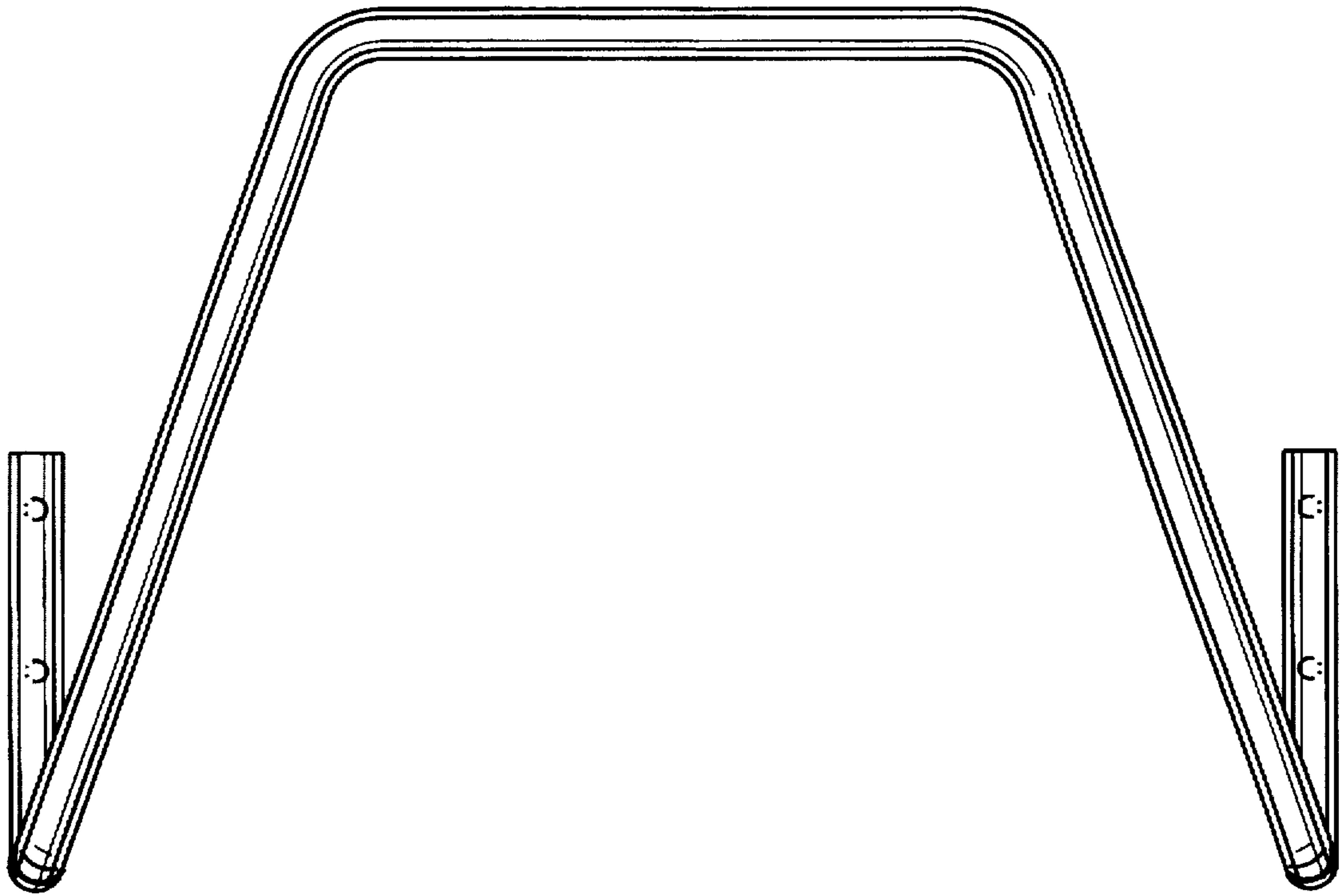


FIG. 9

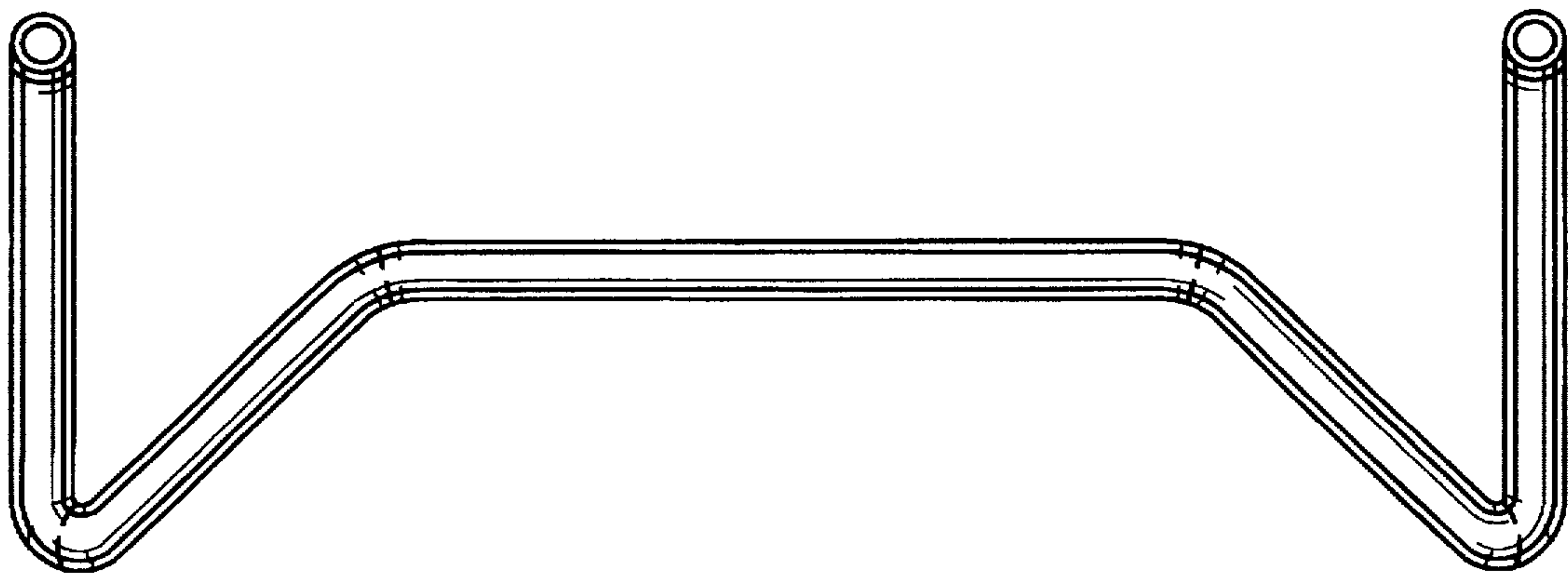


FIG. 10

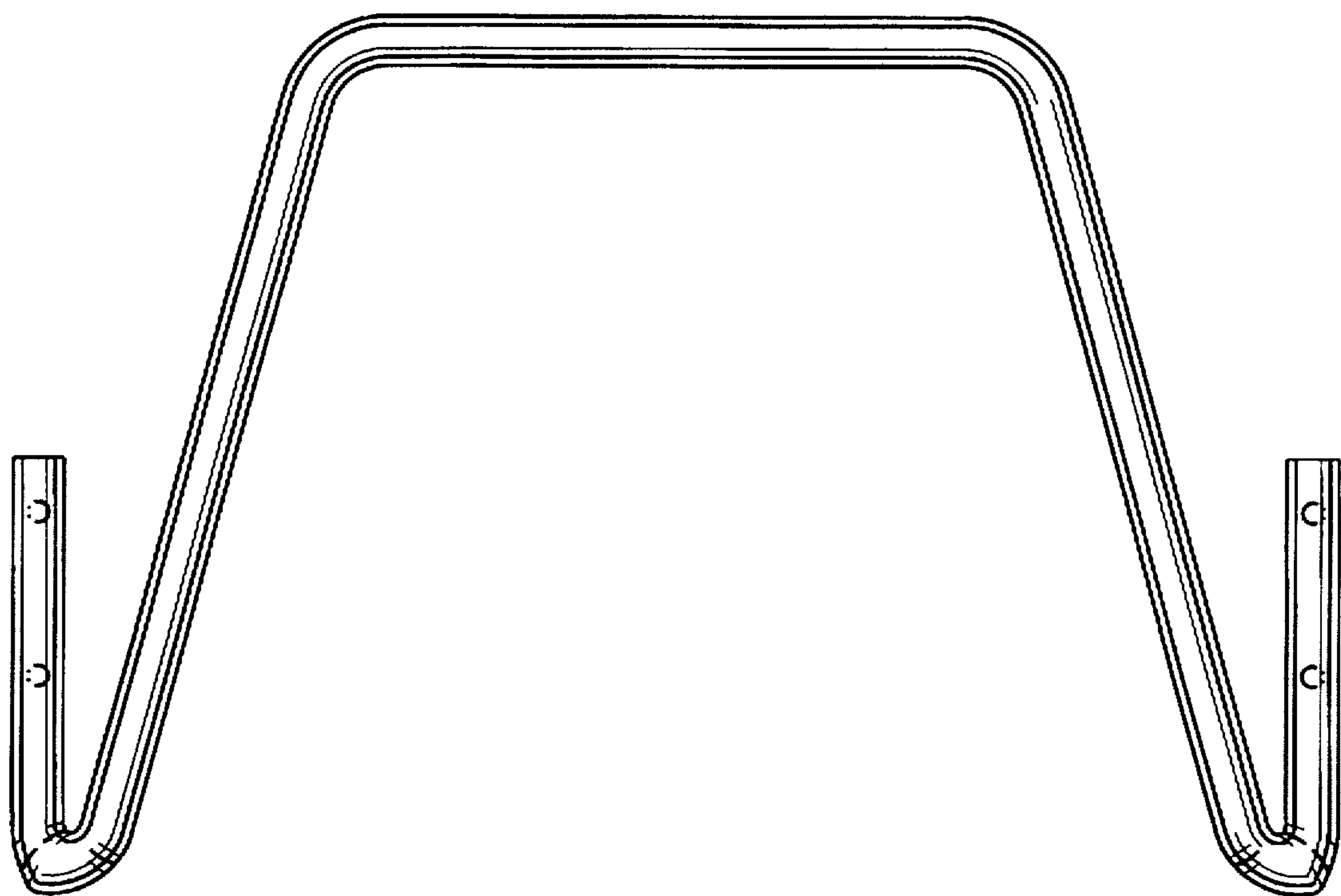


FIG. 11

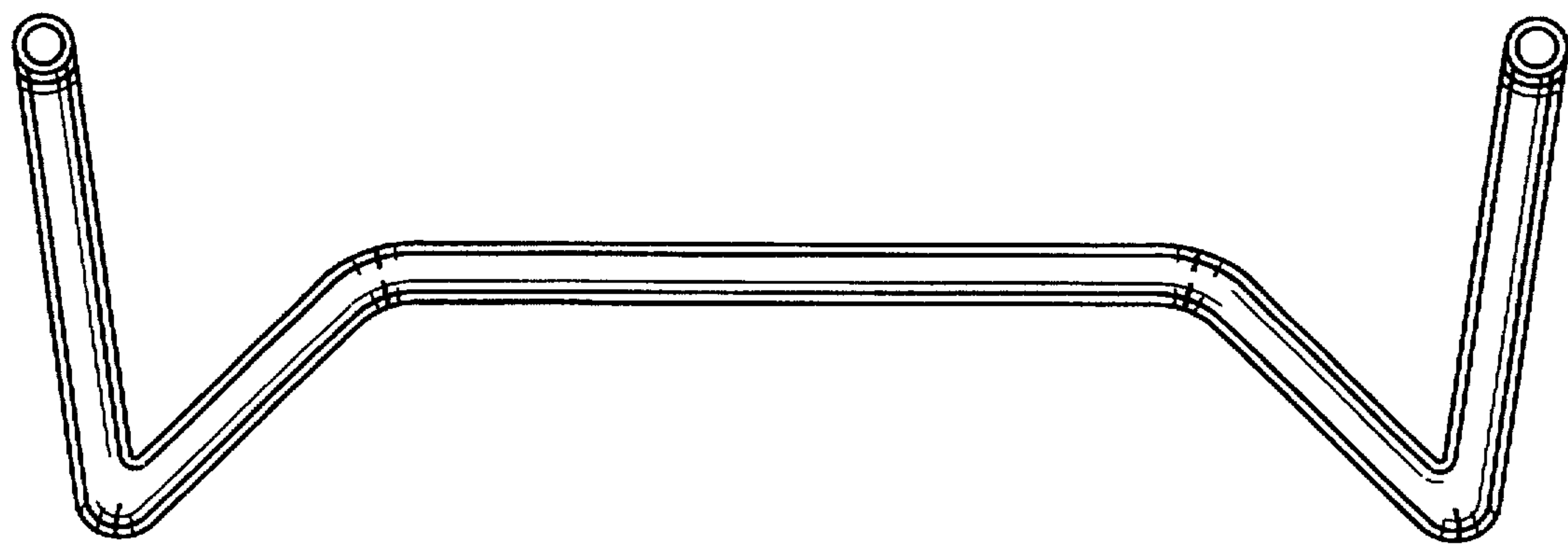


FIG. 12