



US00D396924S

United States Patent [19]
Cardenas

[11] **Patent Number:** **Des. 396,924**
[45] **Date of Patent:** ****Aug. 11, 1998**

[54] **SHOTGUN, FISHING ROD AND GOLF UTILITY CART**

[76] **Inventor:** **John Cardenas**, 339 W. Norman Ave., Arcadia, Calif. 91007

[**] **Term:** **14 Years**

[21] **Appl. No.:** **72,062**

[22] **Filed:** **Jun. 6, 1997**

[51] **LOC (6) Cl.** **12-02**

[52] **U.S. Cl.** **D34/24; D34/26; D34/15**

[58] **Field of Search** **D34/12-27; 280/47.18, 280/47.19, 47.24, 47.27, 47.28, 47.34, 654, 655, 47.29, 655.1; 211/70.1-70.2**

[56] **References Cited**

U.S. PATENT DOCUMENTS

D. 366,549	1/1996	Yu	D34/26
5,464,244	11/1995	Tsai	280/655
5,549,317	8/1996	Dunke	280/652

Primary Examiner—**Kay H. Chin**

Attorney, Agent, or Firm—**Curtis L. Harrington**

[57] **CLAIM**

The ornamental design for an shotgun, fishing rod & golf utility cart, as shown and described.

DESCRIPTION

FIG. 1 is a front perspective view of the utility cart in open

position and configured with a resilient member for supporting a shotgun and shotgun shell boxes, both of which are shown in phantom for illustrative purposes;

FIG. 2 is a front perspective view of the utility cart in open position and configured with a resilient member for supporting a fishing rods and with a fishing rod and tackle box both of which are shown in phantom for illustrative purposes;

FIG. 3 is a front perspective view of the utility cart in open position and configured with a resilient member for supporting golf clubs and with a pair of golf clubs, both of which are shown in phantom for illustrative purposes;

FIG. 4 is a front perspective view of the utility cart in closed position with its elongate handled mounted to the side and a basket folded to a vertical position;

FIG. 5 is a front view for the utility cart shown in the open position and illustrating a hanging carry bag and the rest structure for the basket;

FIG. 6 is a rear view of the utility cart shown in the open position;

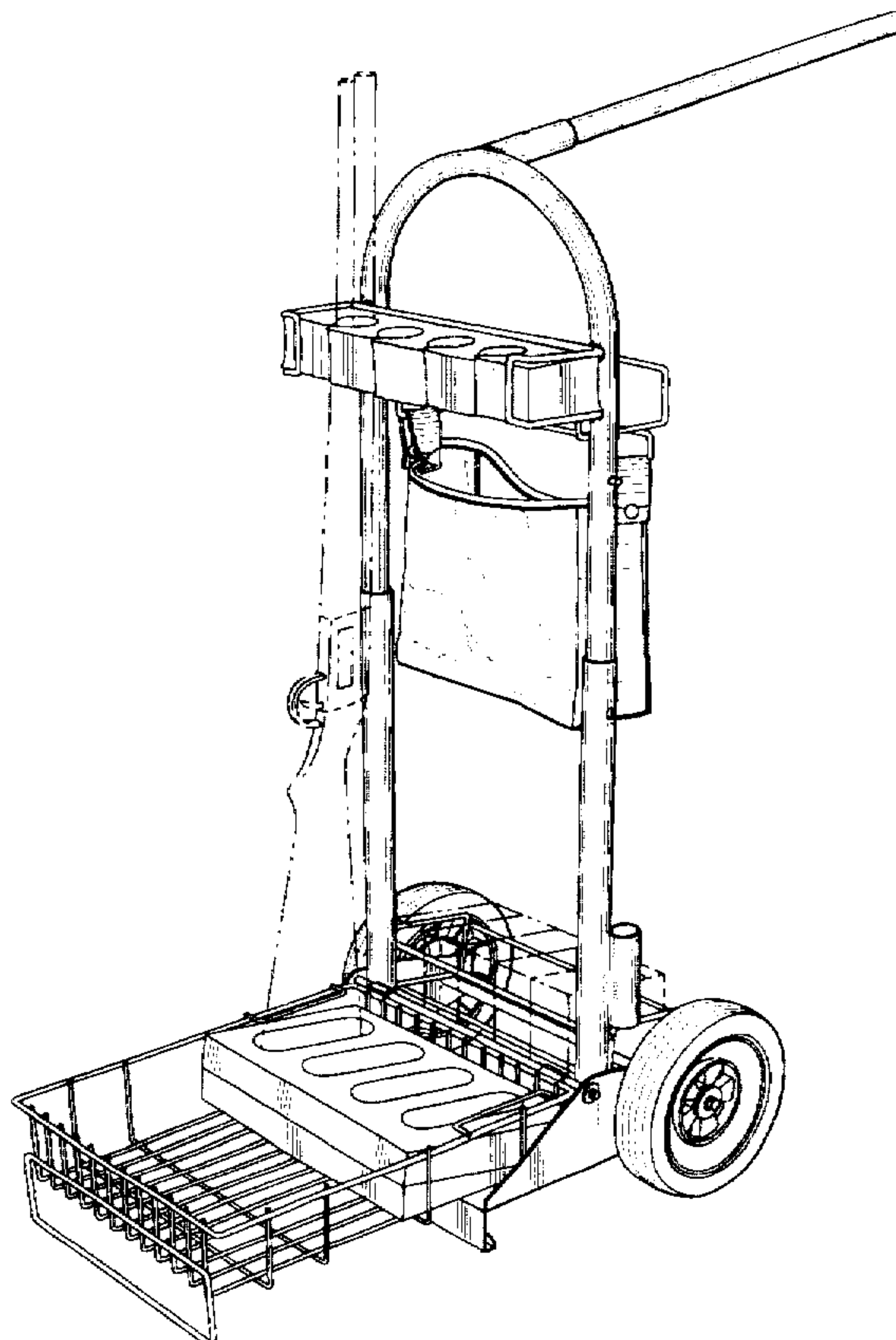
FIG. 7 is a left side view of the utility cart, and which is symmetrical to a right side view thereof;

FIG. 8 is a bottom view of the utility cart;

FIG. 9 is a top view of the utility cart; and,

FIG. 10 illustrates a side view of the utility cart in tilt position and also illustrating shotgun shown in phantom.

1 Claim, 10 Drawing Sheets



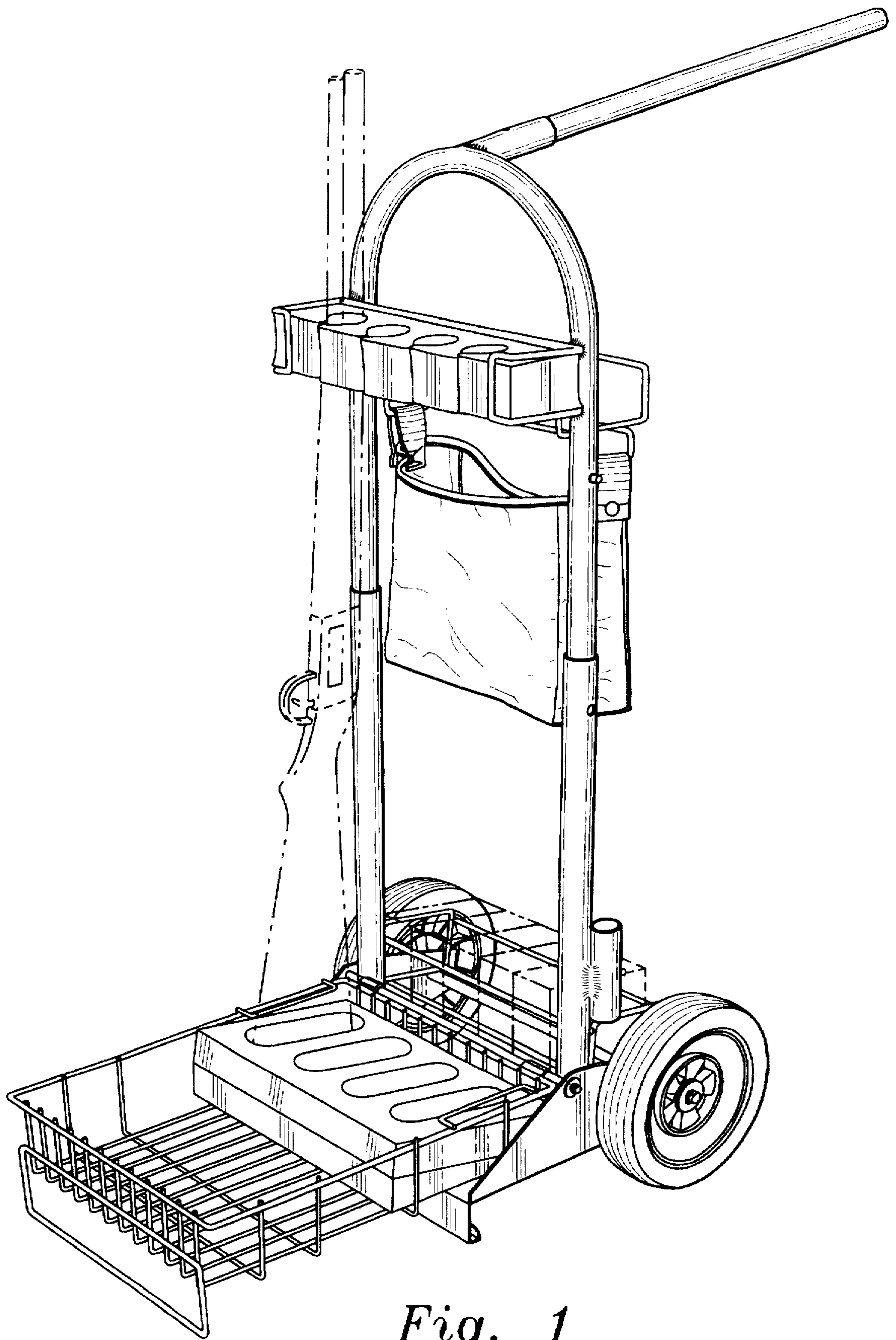


Fig. 1

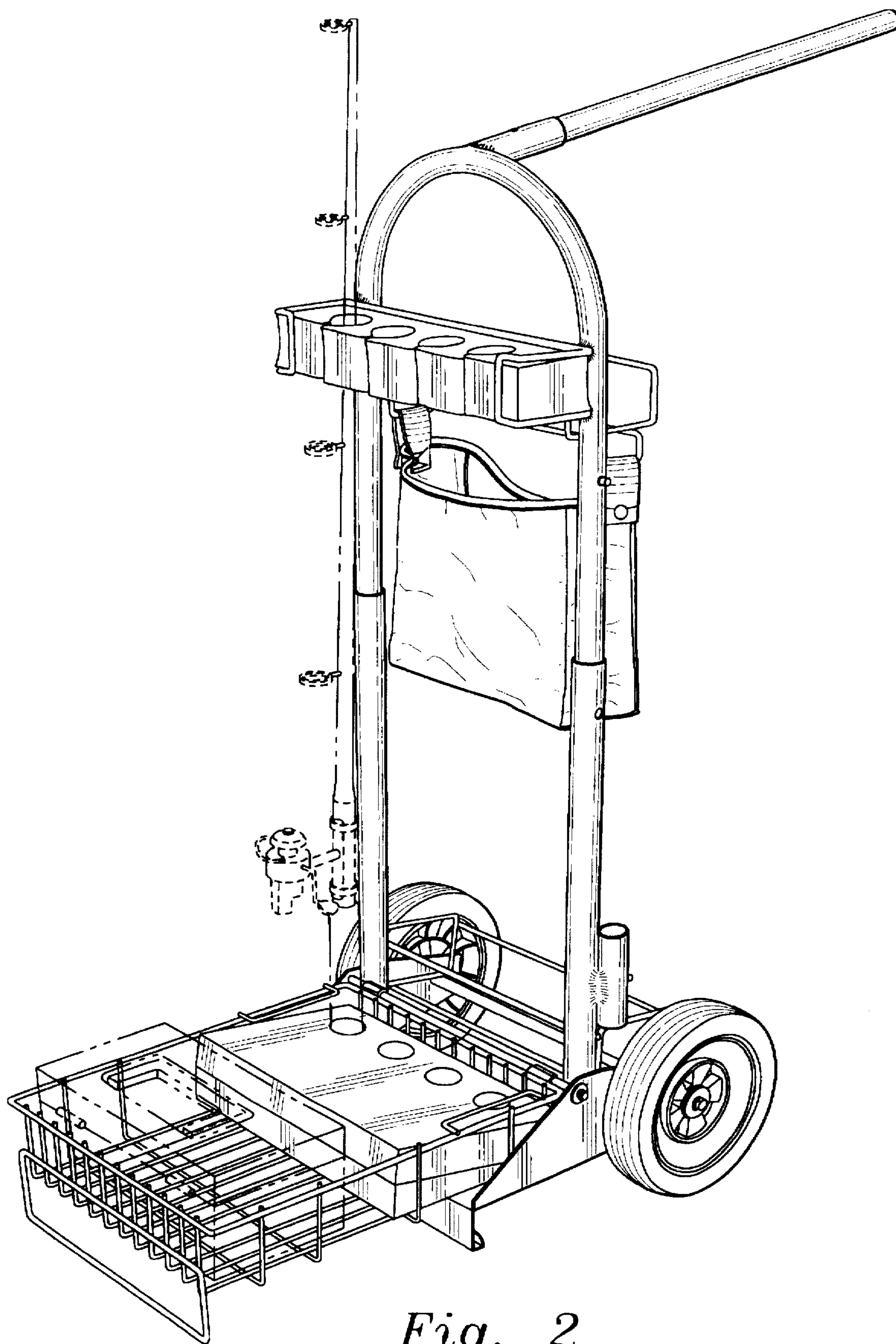


Fig. 2

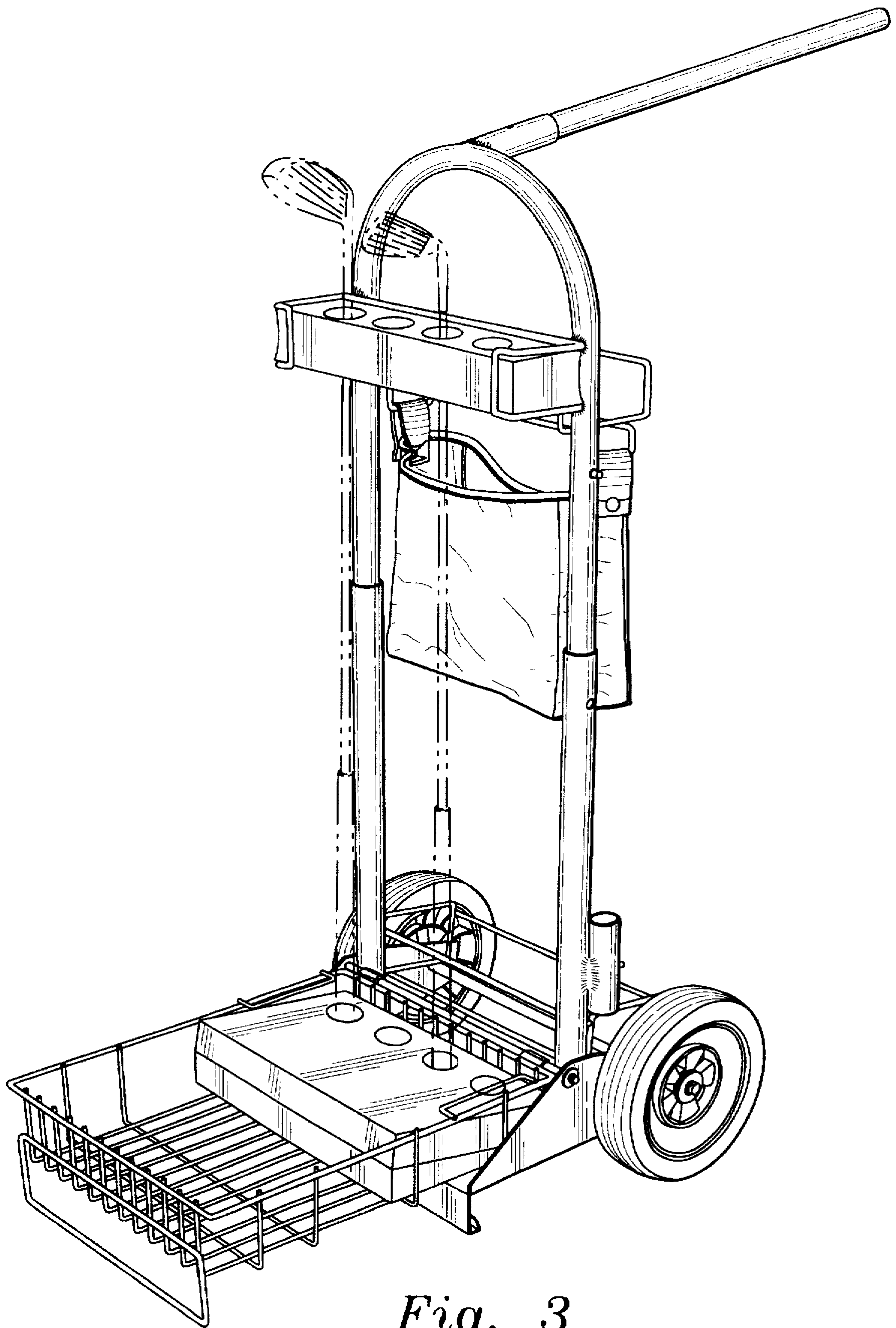


Fig. 3

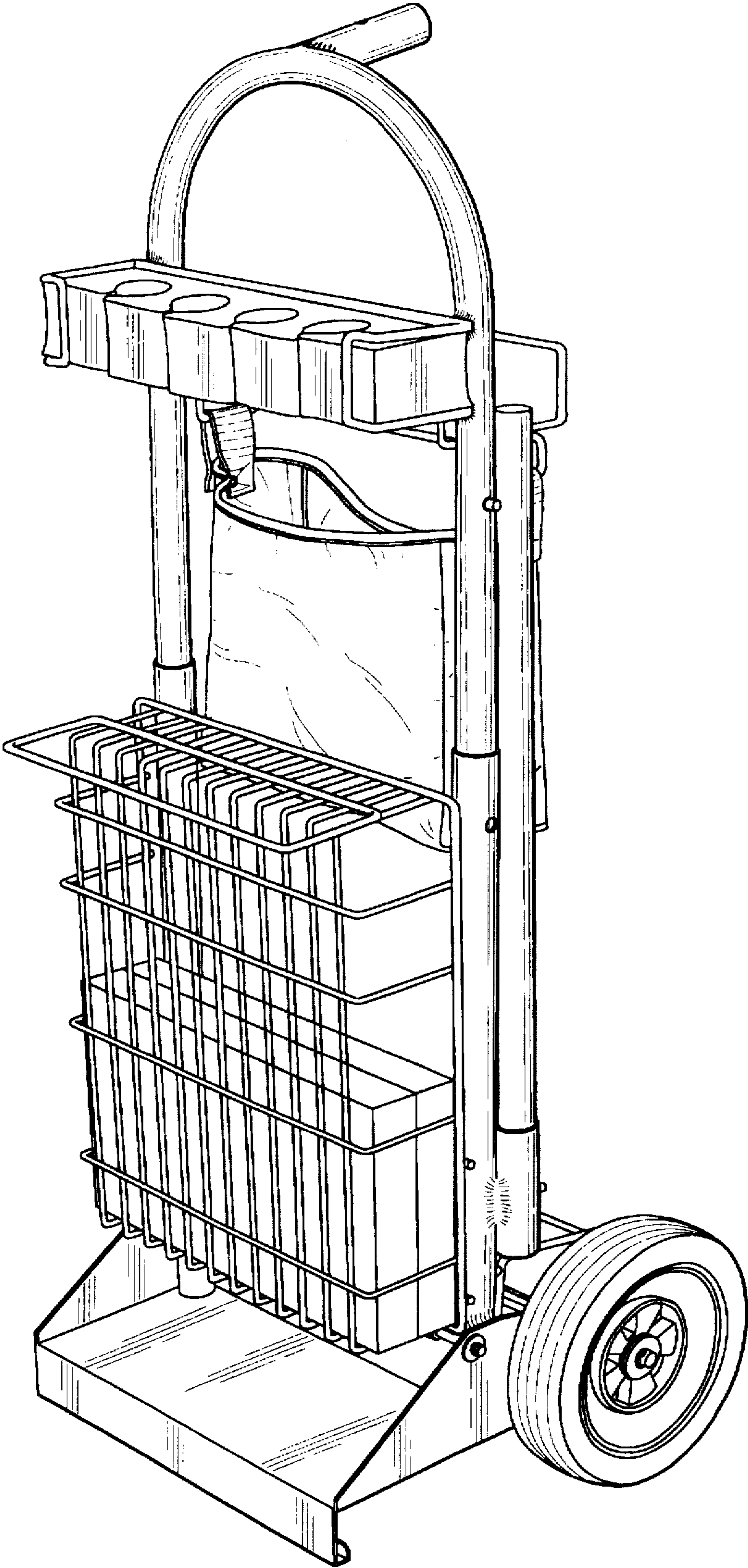


Fig. 4

Fig. 5

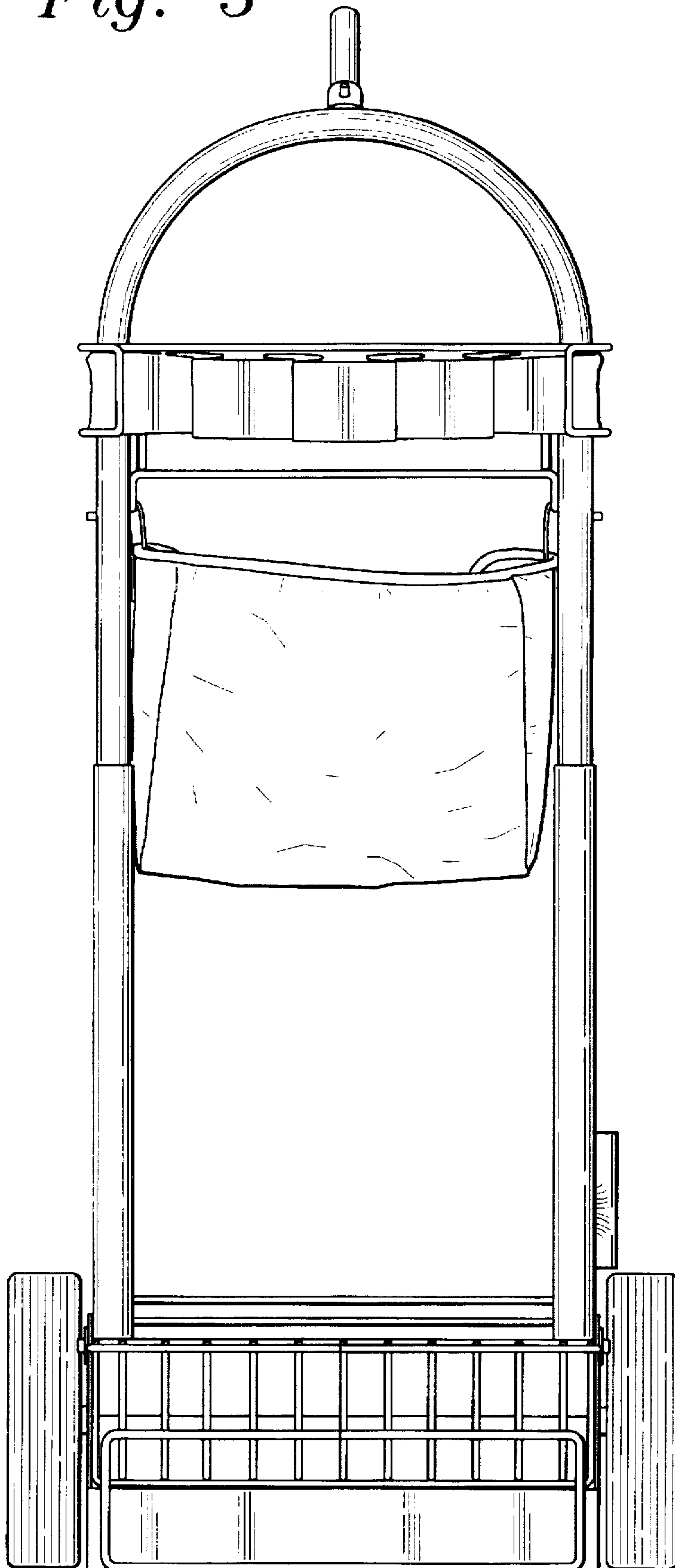
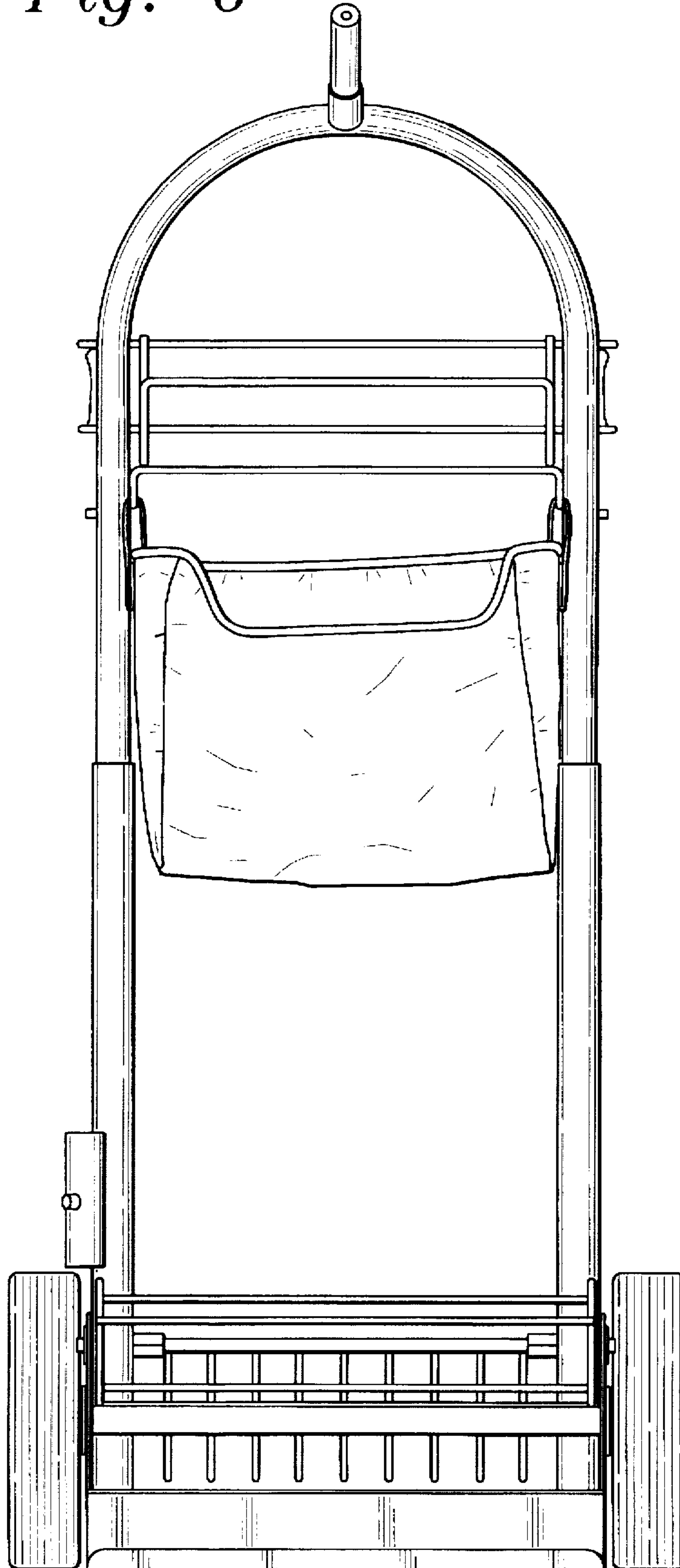


Fig. 6



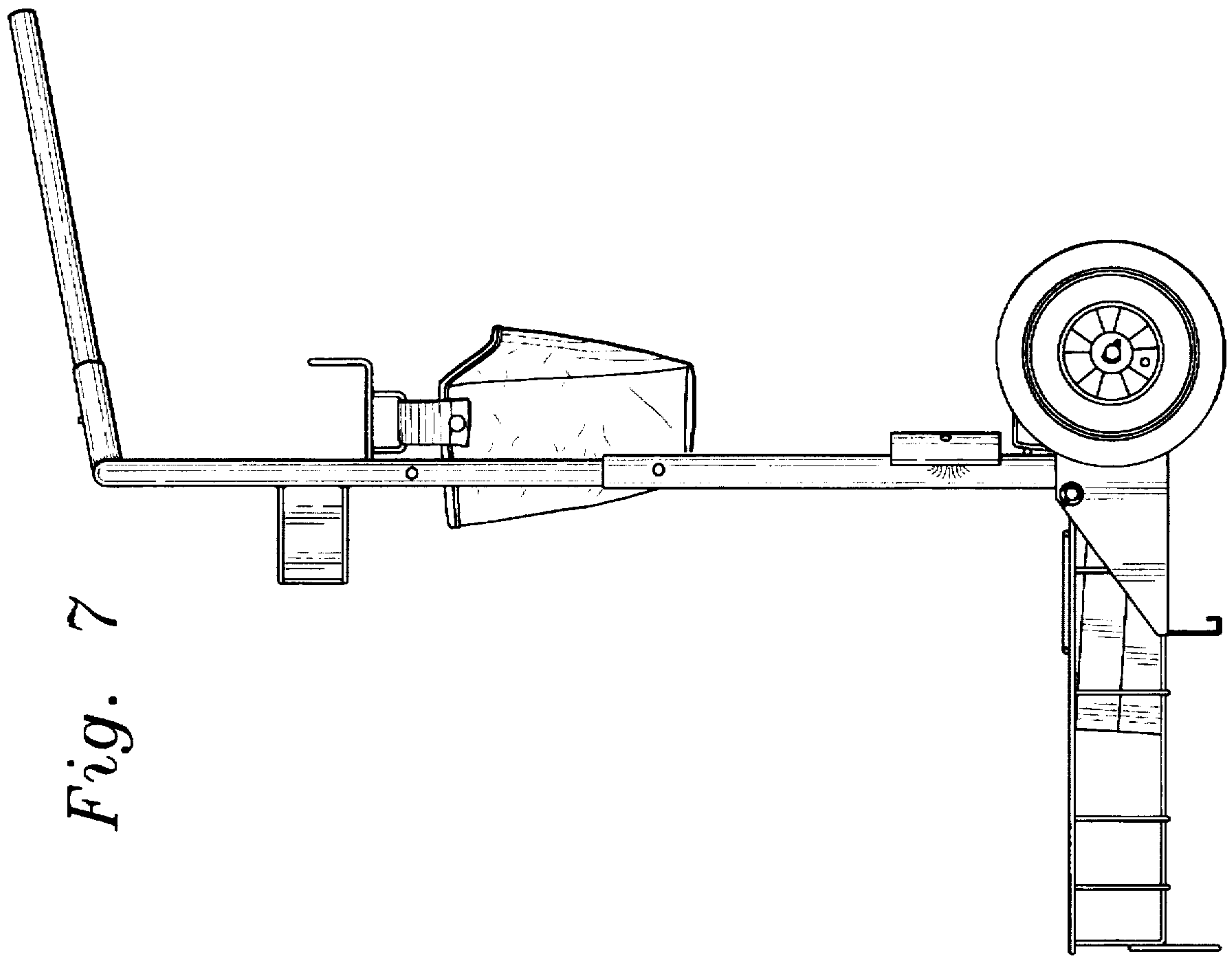


Fig. 7

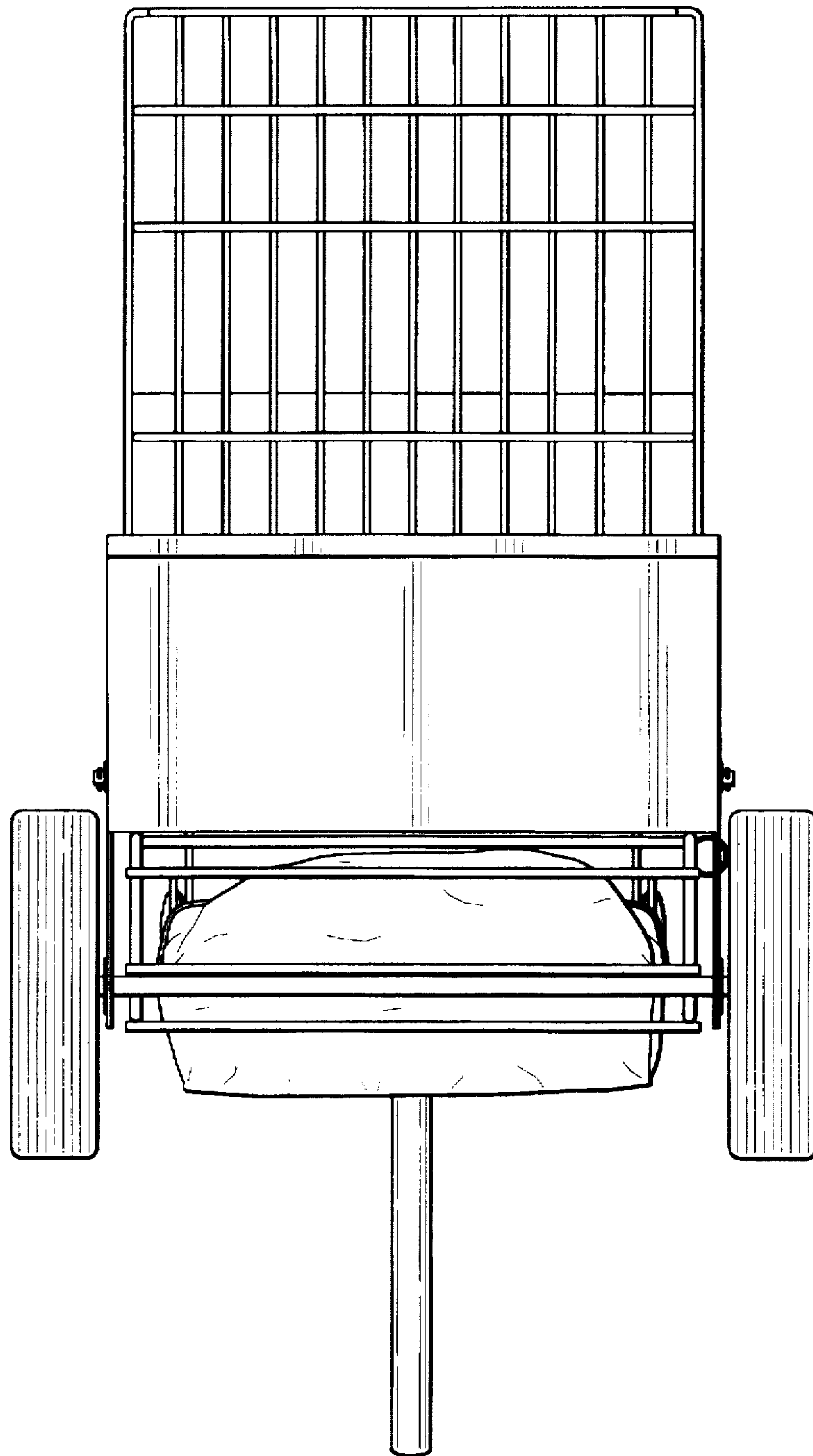


Fig. 8

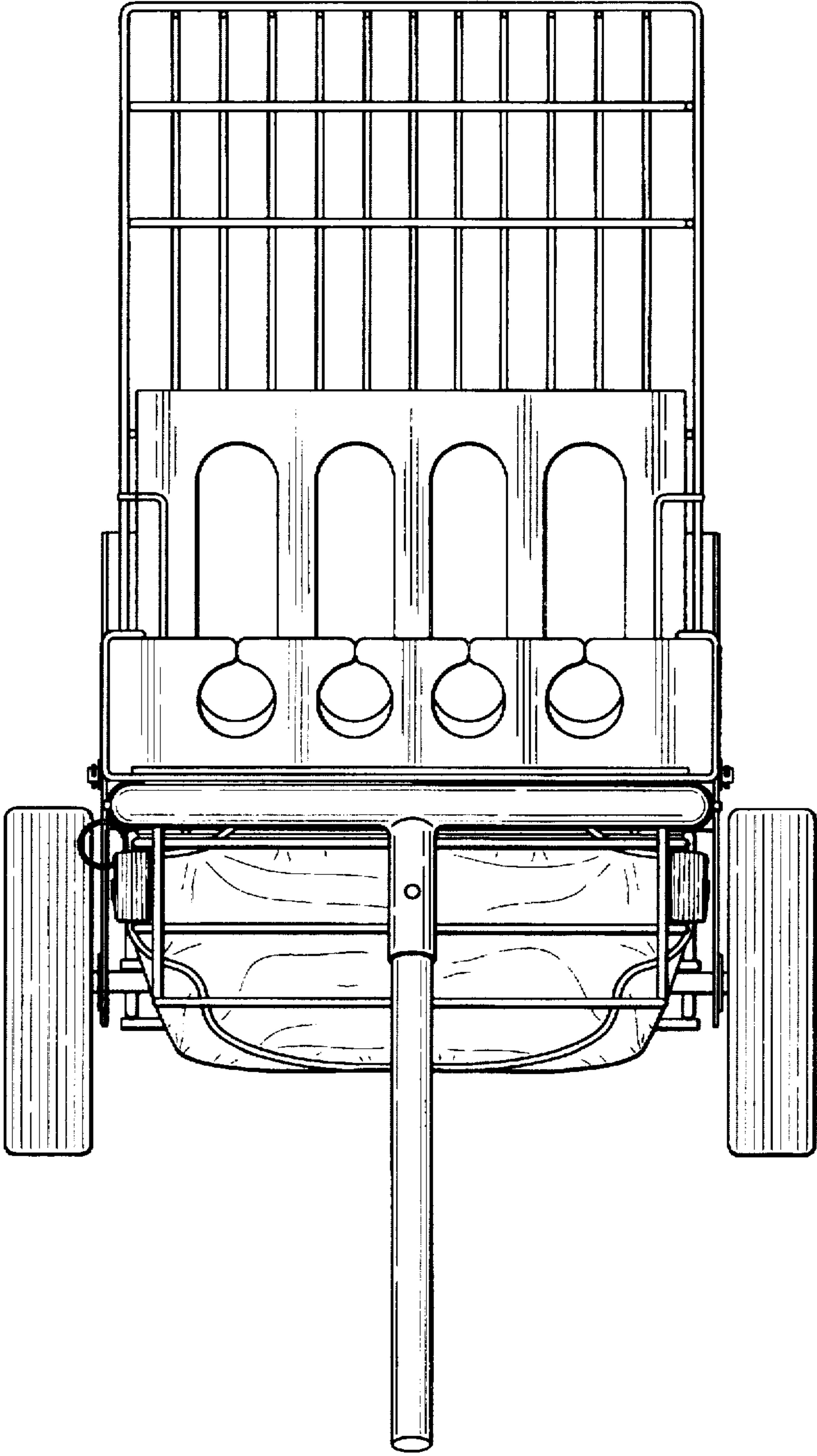


Fig. 9

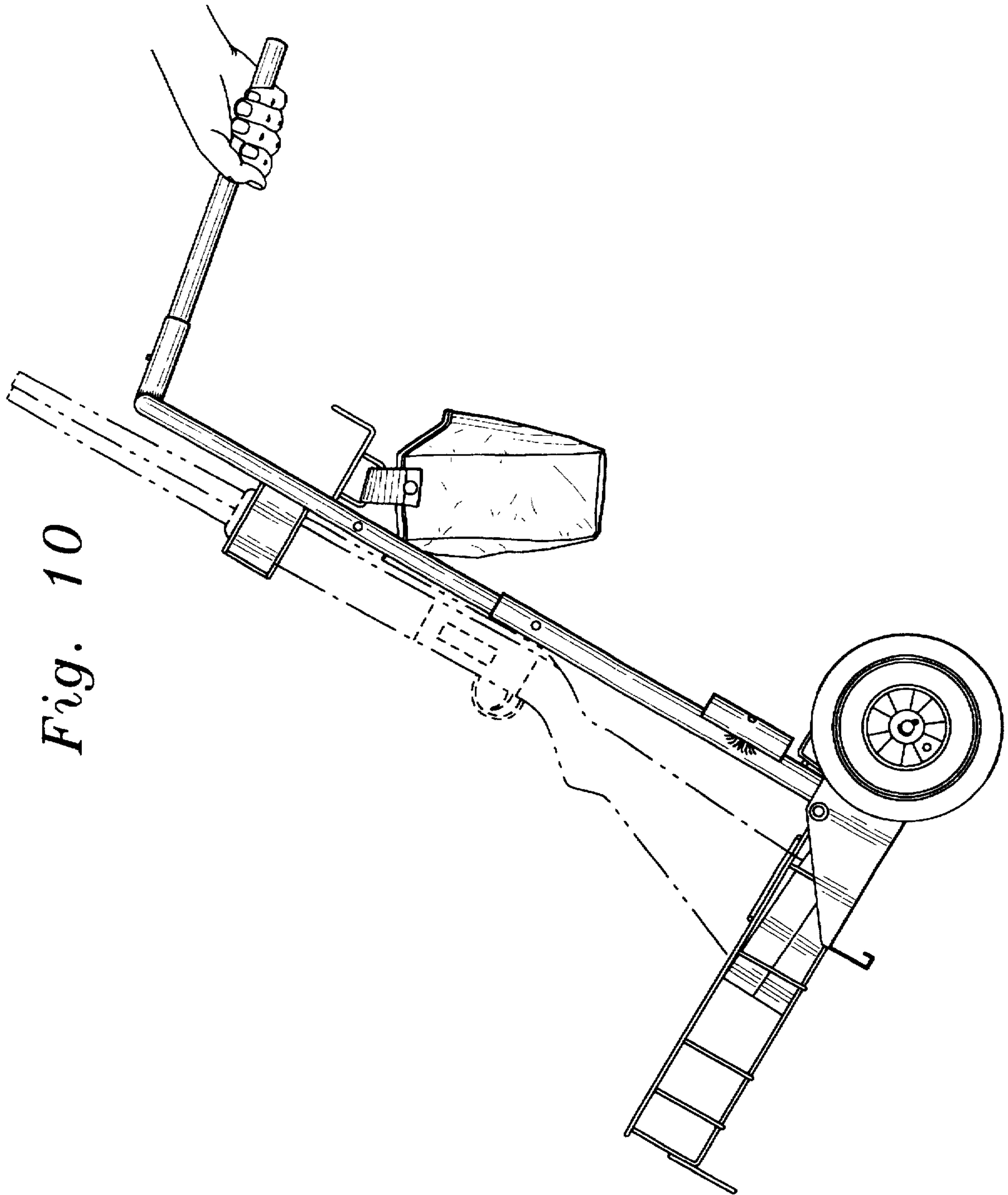


Fig. 10