



US00D396923S

United States Patent [19]

Moore

[11] Patent Number: Des. 396,923

[45] Date of Patent: **Aug. 11, 1998

[54] CLEANING CADDY CART

[76] Inventor: E. Brooks Moore, 1201 Spyglass La., Naples, Fla. 33940

[**] Term: 14 Years

[21] Appl. No.: 68,908

[22] Filed: Apr. 4, 1997

[51] LOC (6) Cl. 12-02

[52] U.S. Cl. D34/24; 280/47.26

[58] Field of Search D34/24, 12, 27, D34/17, 18, 19, 20, 21; 280/47.35, 47.19, 47.12, 47.24, 47.26, 47.27, 47.28; 211/194

[56] References Cited

U.S. PATENT DOCUMENTS

D. 207,577	5/1967	Ganger	D34/15
D. 322,501	12/1991	Legault	D34/24
D. 331,303	11/1992	Dunn	D34/24 X
3,052,484	9/1962	Huffman et al.	
3,804,432	4/1974	Lehrman	280/47.19 X
4,978,013	12/1990	Hogg	280/47.35
5,240,264	8/1993	Williams	280/47.26 X
5,427,394	6/1995	Lauto	280/47.35
5,464,104	11/1995	McArthur	280/47.19 X
5,595,395	1/1997	Wilson	280/47.26

Primary Examiner—Susan J. Lucas
Assistant Examiner—Cynthia E. Ramirez

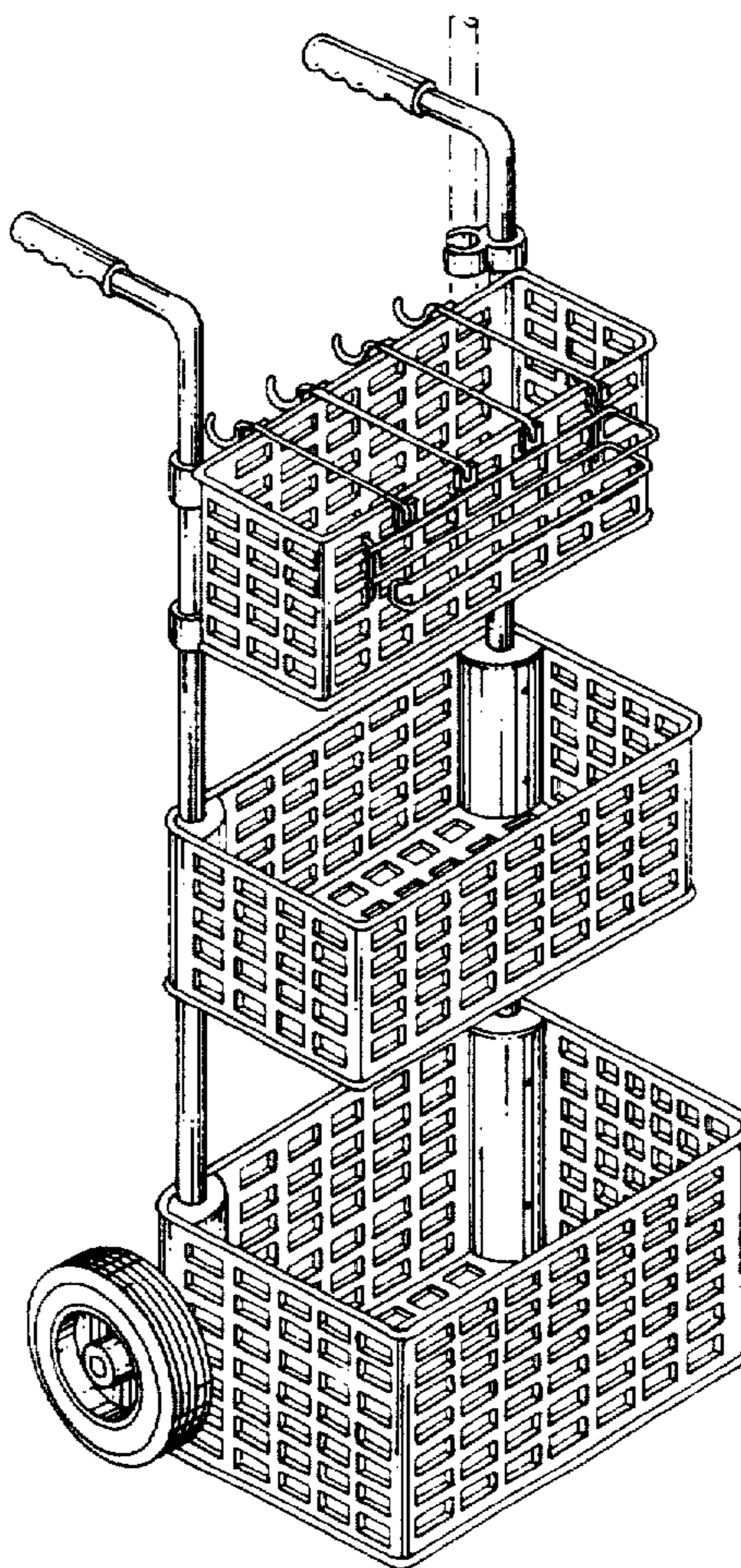
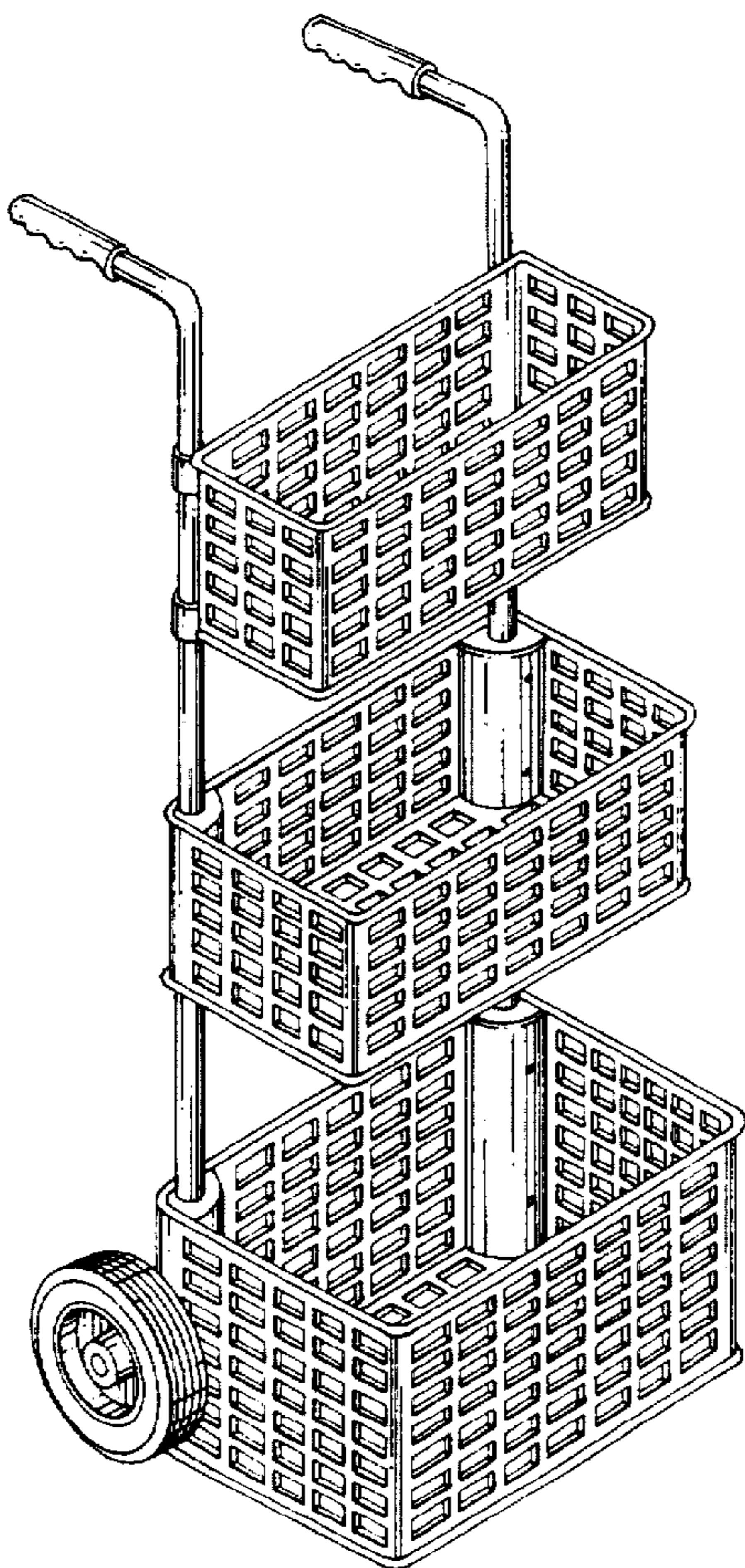
[57] CLAIM

The ornamental design for a cleaning caddy cart, as shown and described.

DESCRIPTION

FIG. 1 is a top, left and front perspective view showing my new design;
 FIG. 2 is a right side elevational view thereof;
 FIG. 3 is a front elevational view thereof;
 FIG. 4 is a rear elevational view thereof;
 FIG. 5 is a top plan view thereof;
 FIG. 6 is a bottom plan view thereof;
 FIG. 7 is a top, left and front perspective view of a second embodiment;
 FIG. 8 is a right side elevational view thereof;
 FIG. 9 is a front elevational view thereof;
 FIG. 10 is a rear elevational view thereof;
 FIG. 11 is a top plan view thereof; and
 FIG. 12 is a bottom plan view thereof.
 The broken line showings in FIGS. 7 through 12 are for illustrative purposes only and form no part of the claimed design.

1 Claim, 4 Drawing Sheets



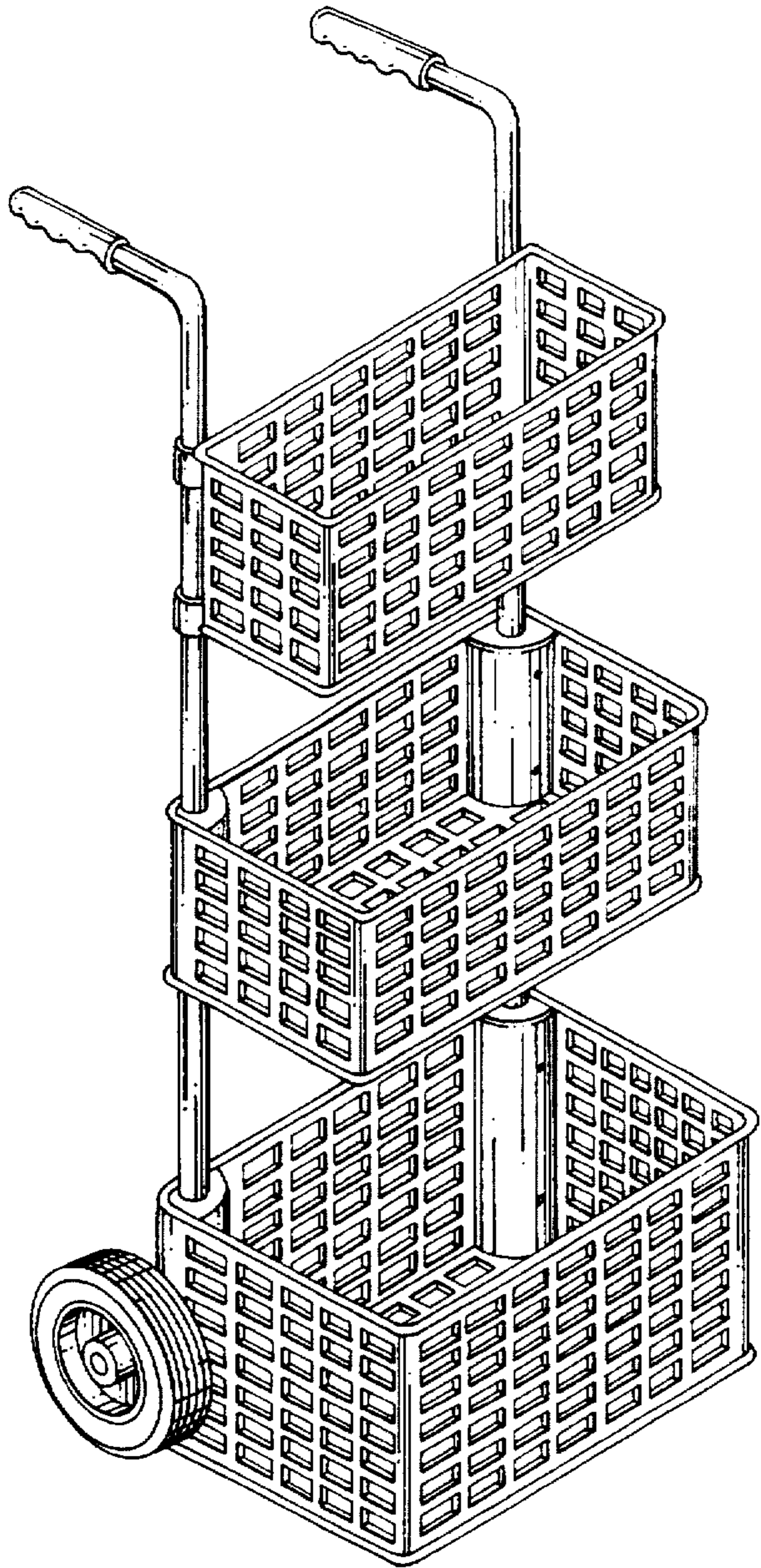


FIG. 1

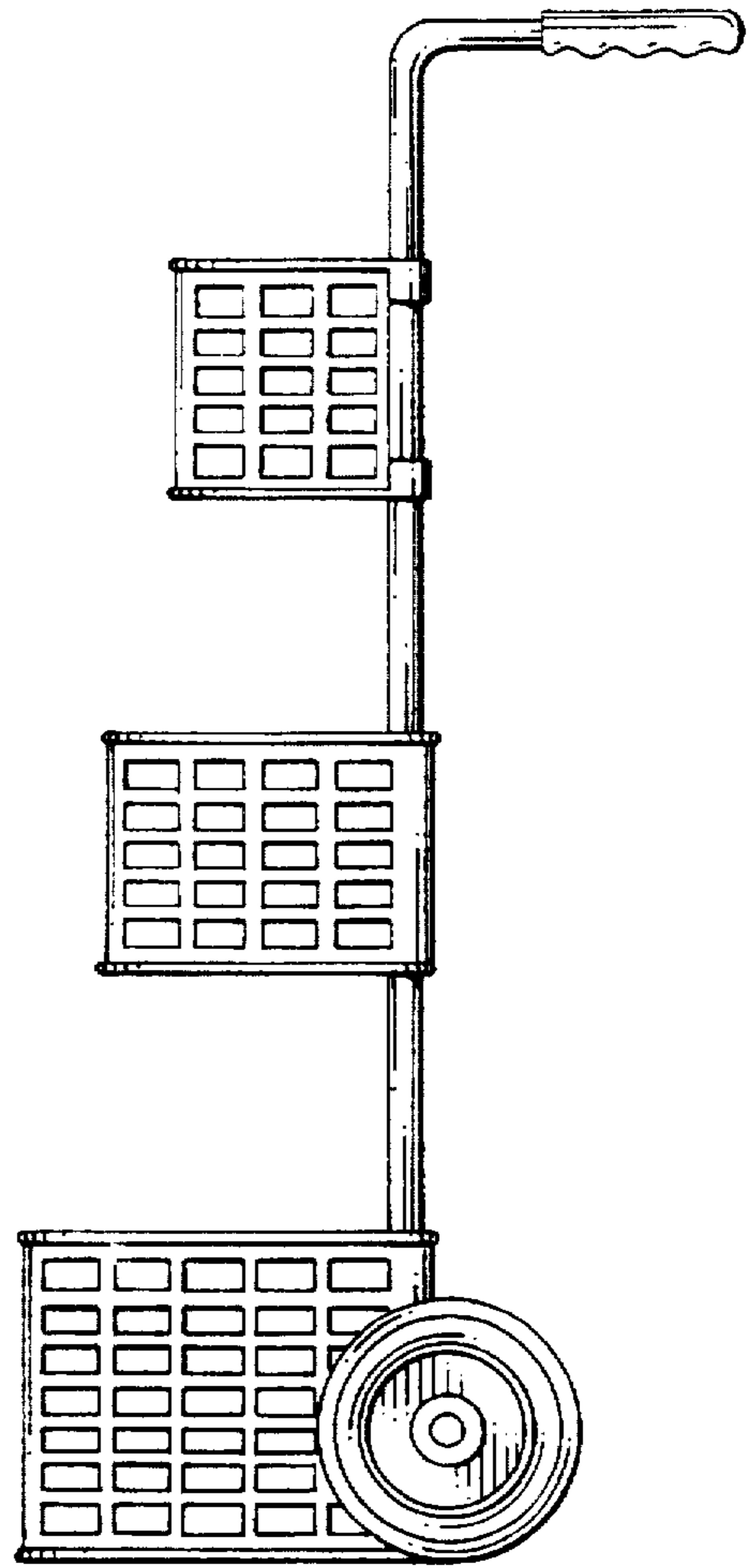


FIG. 2

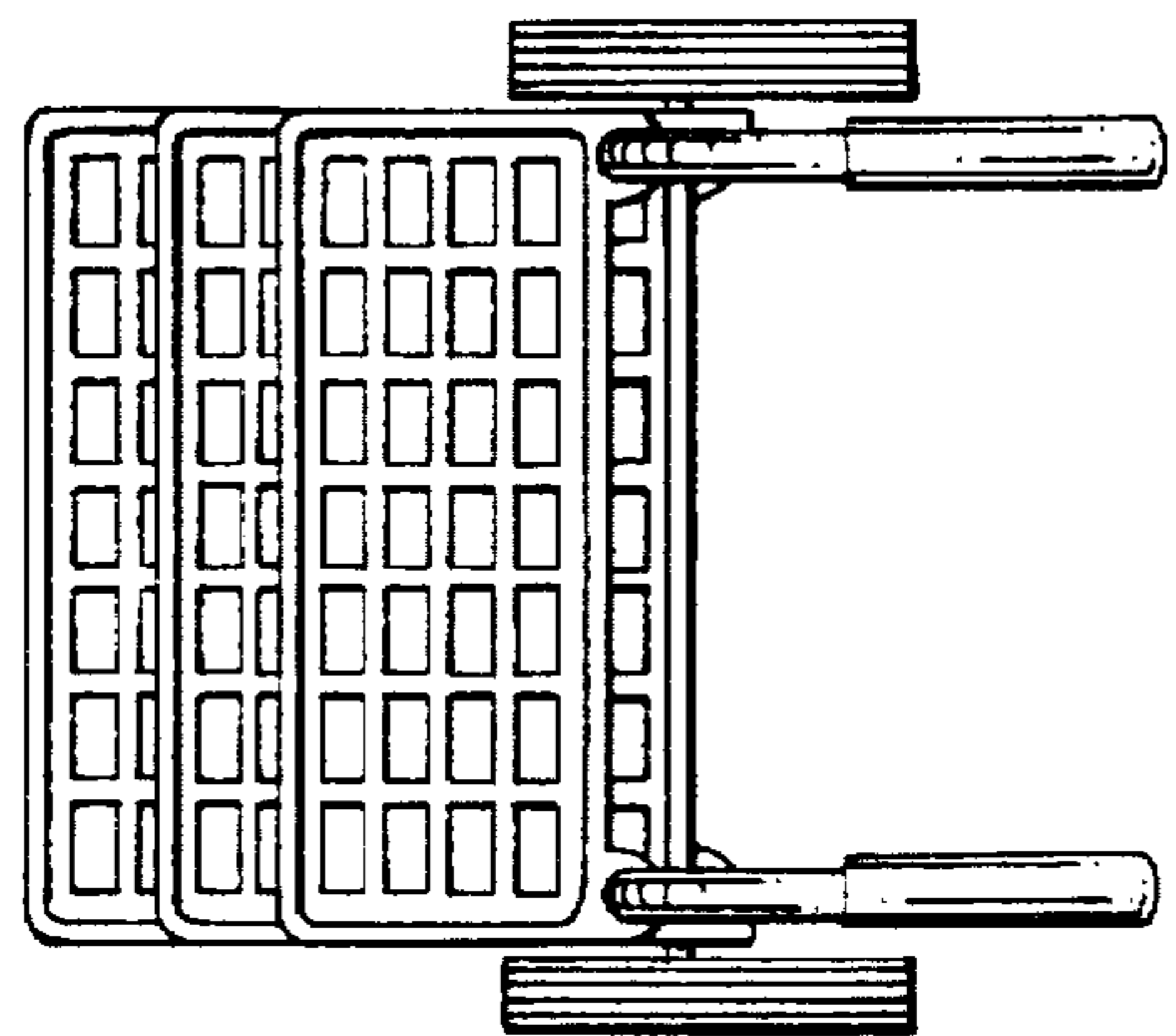


FIG. 5

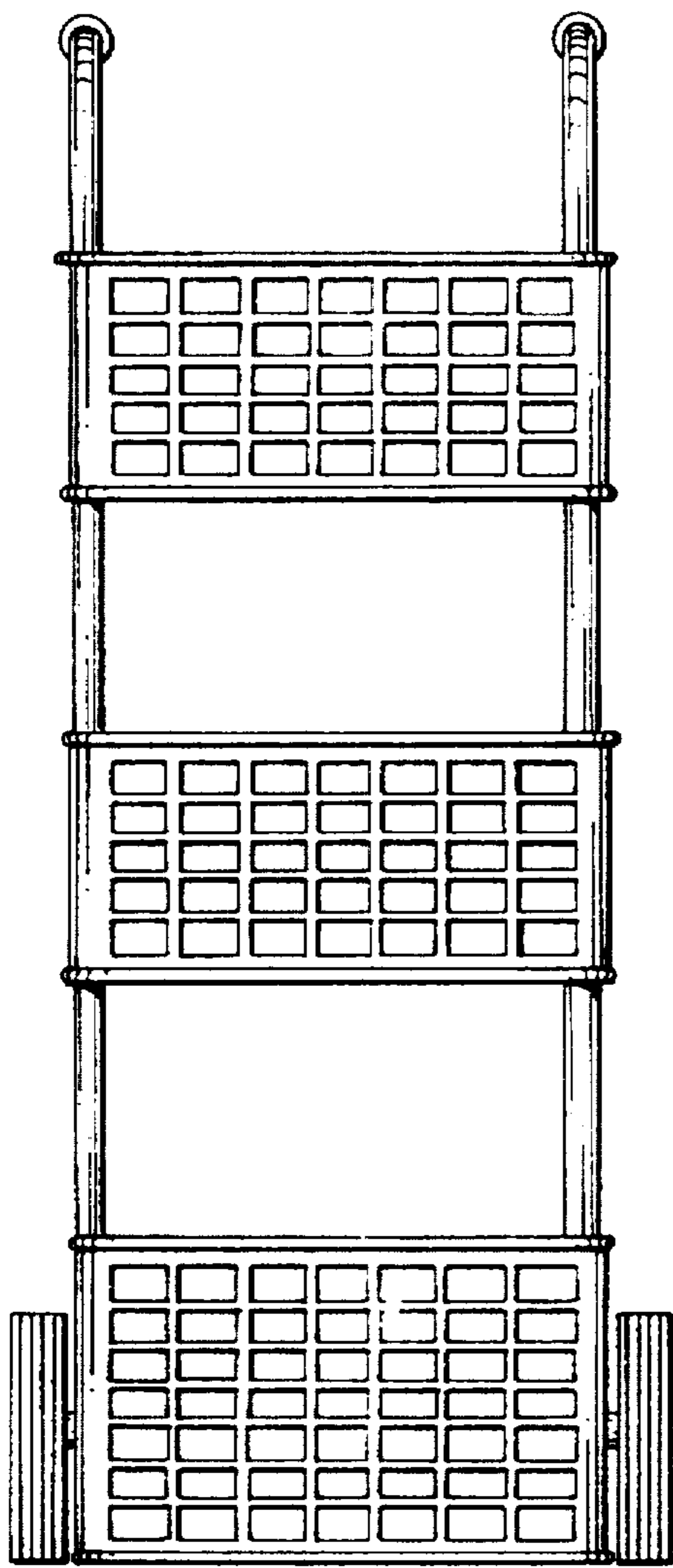


FIG. 3

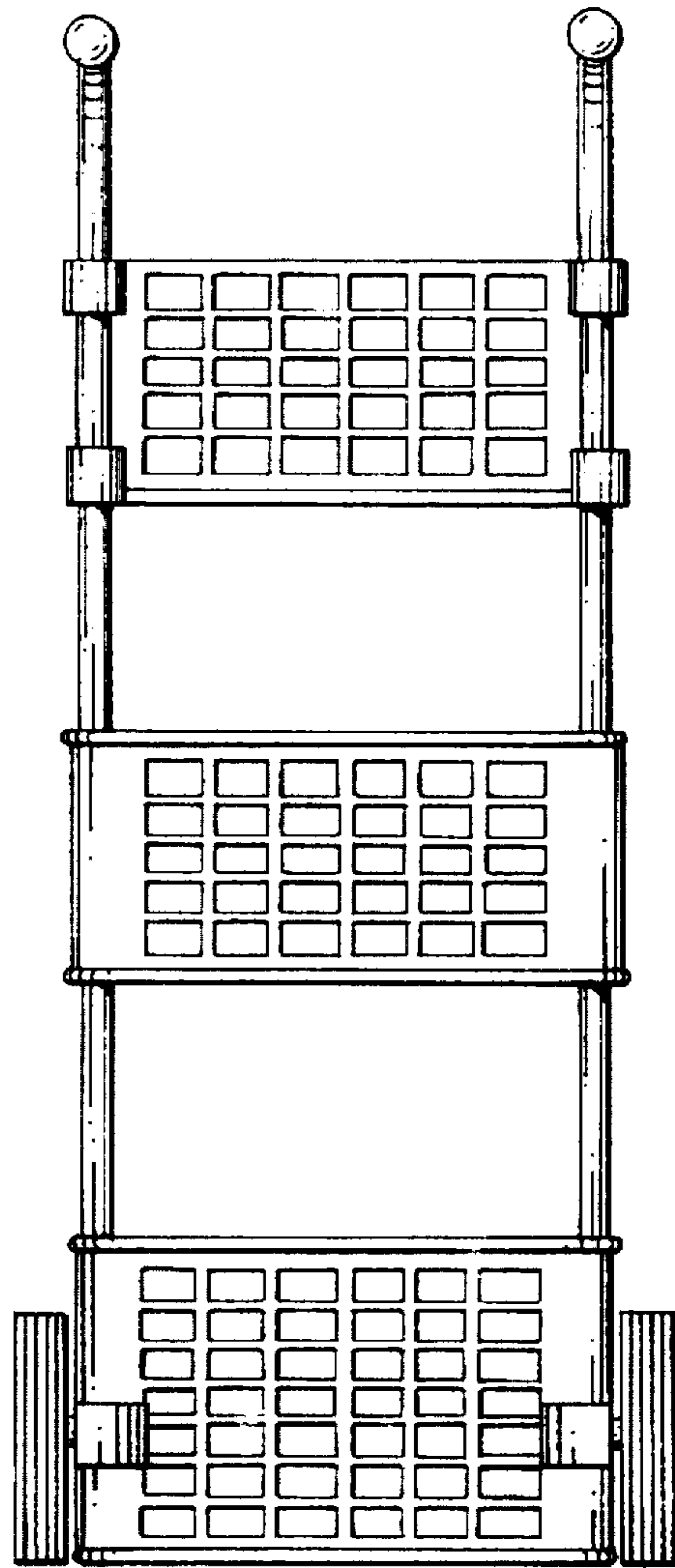


FIG. 4

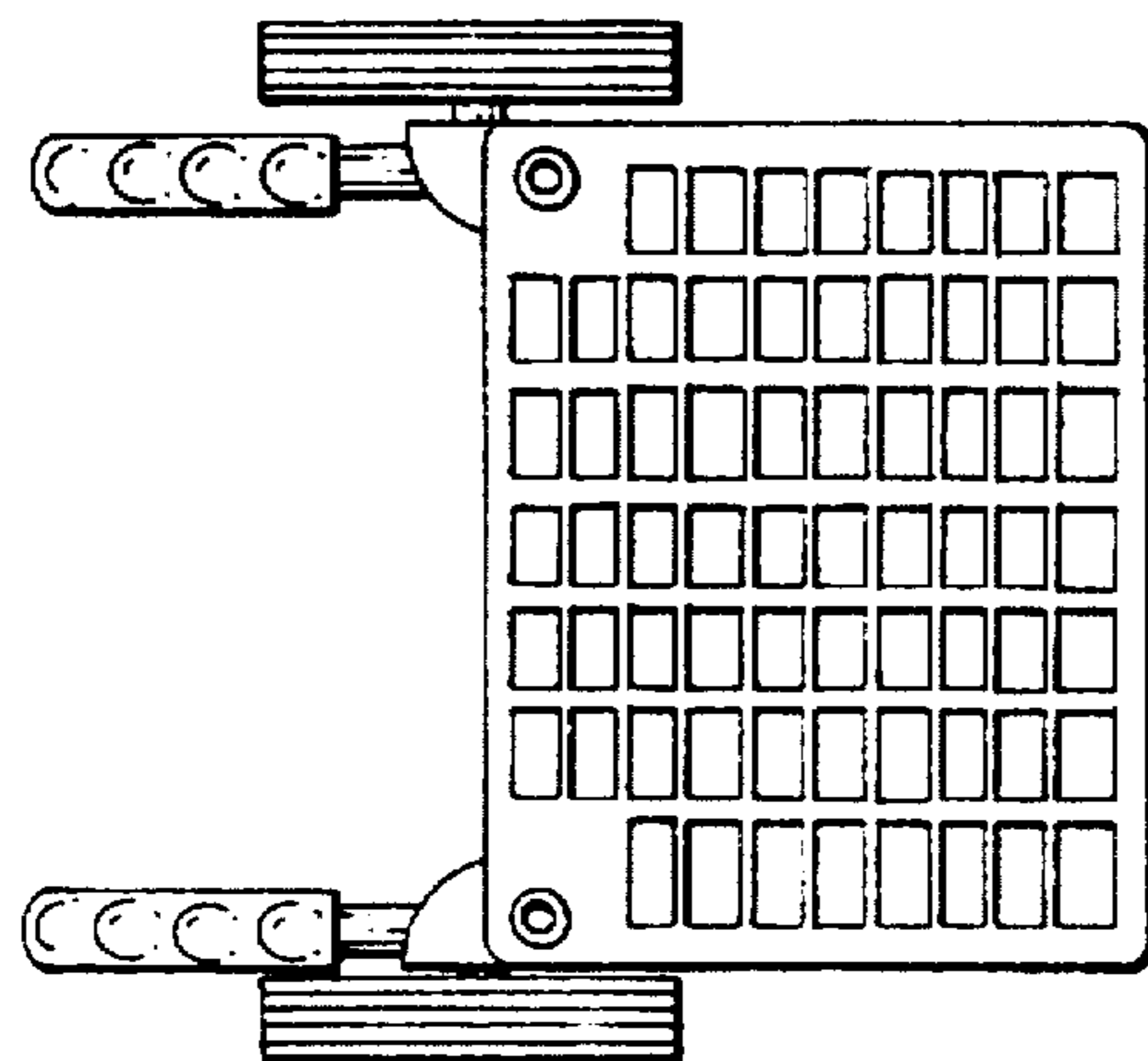


FIG. 6

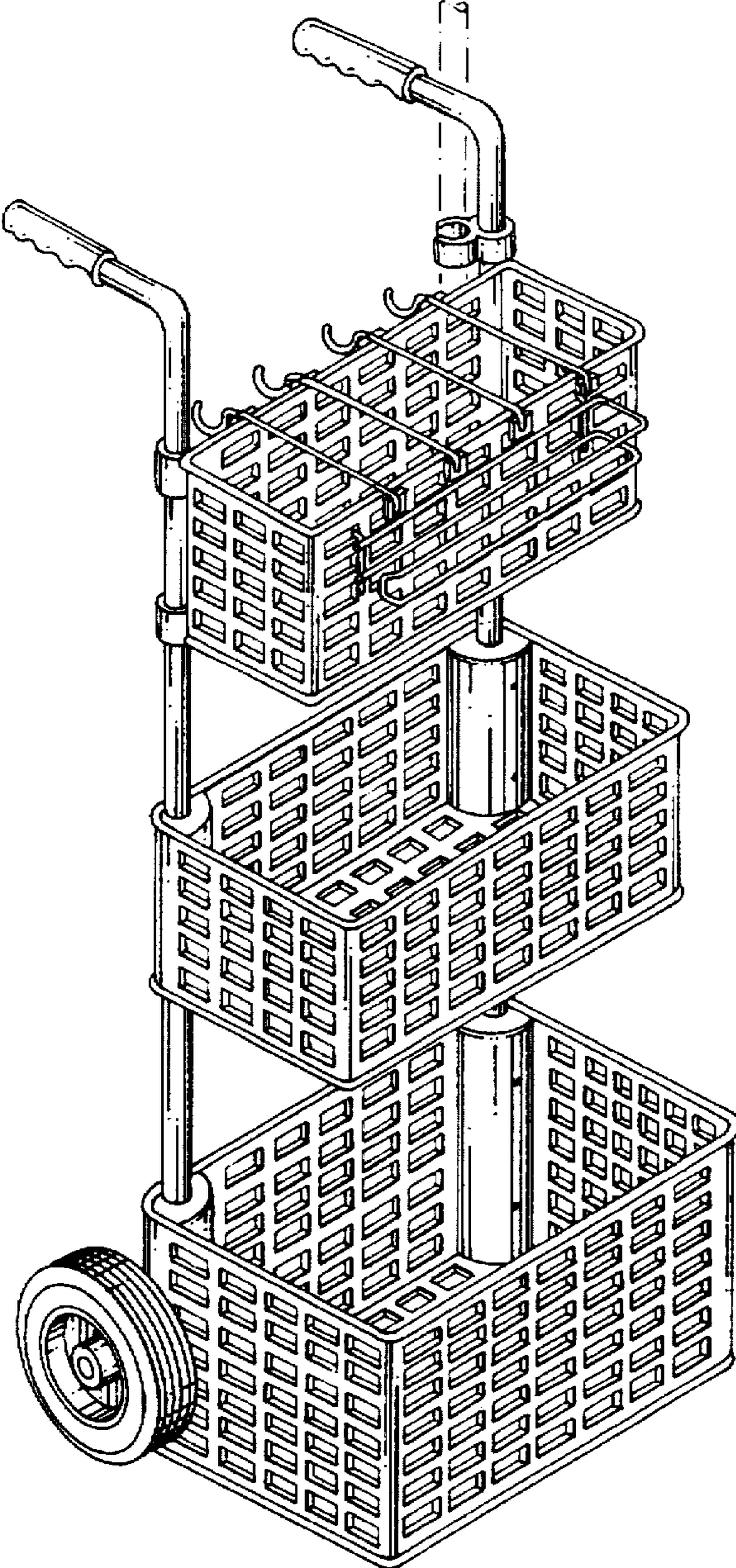


FIG. 7

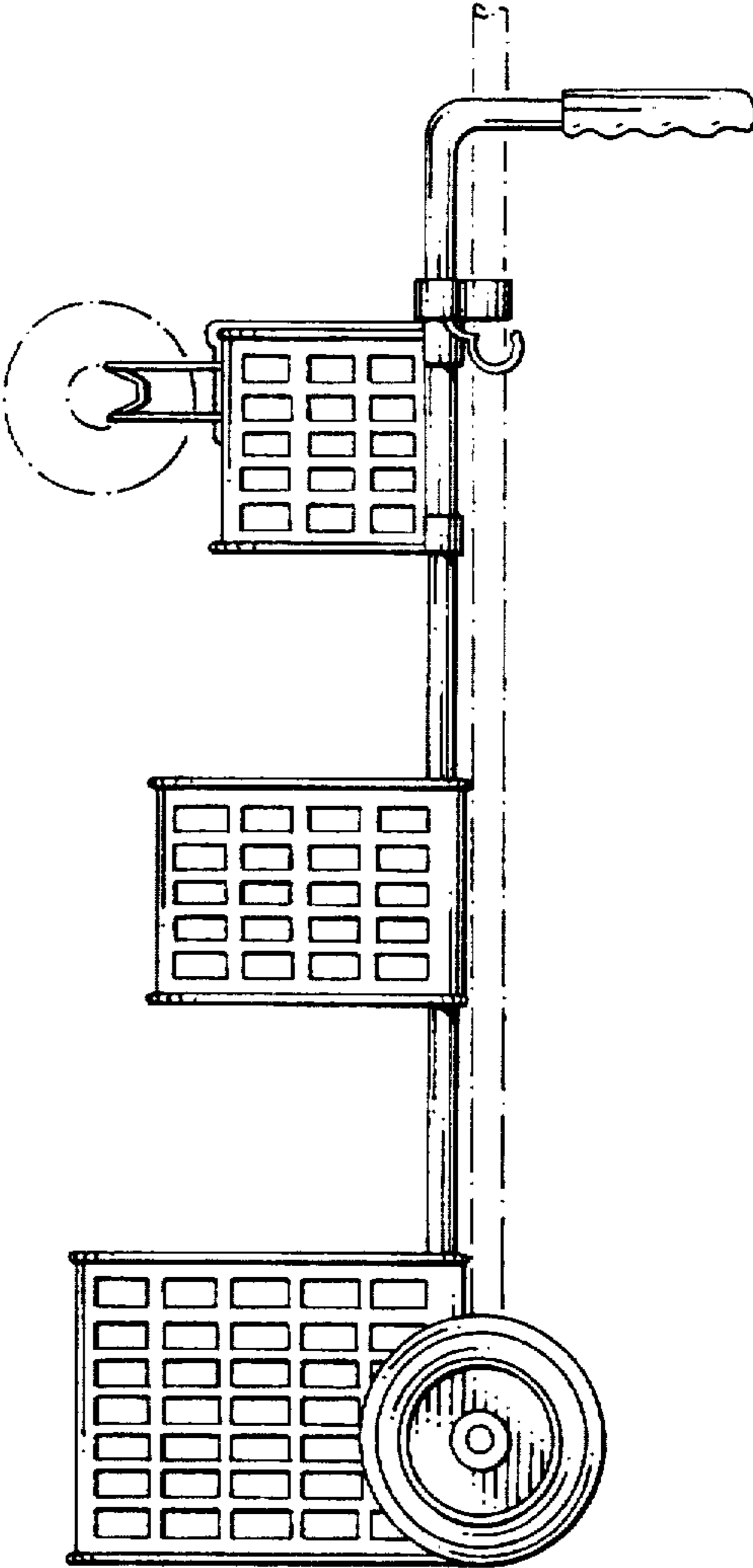


FIG. 8

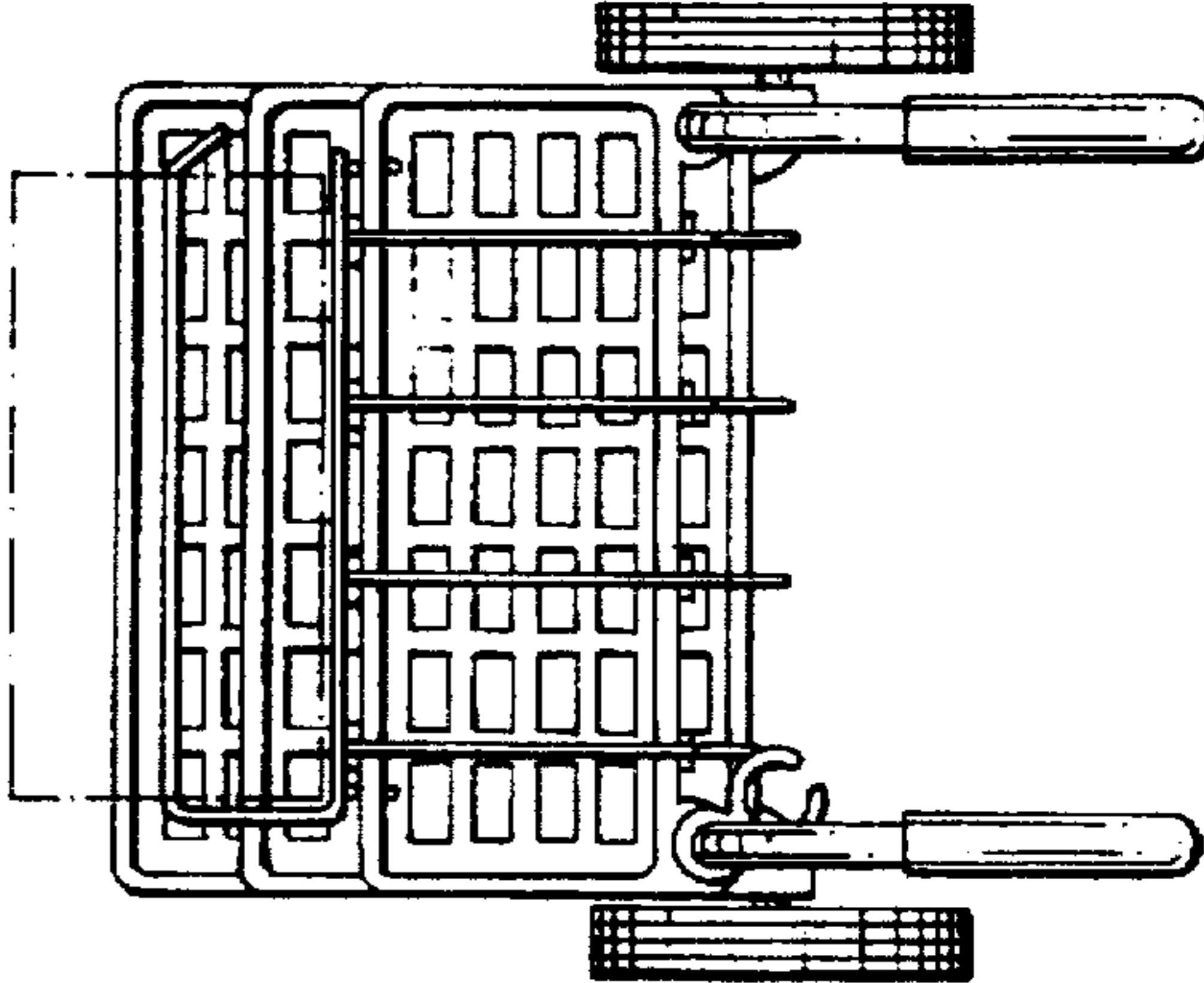


FIG. 11

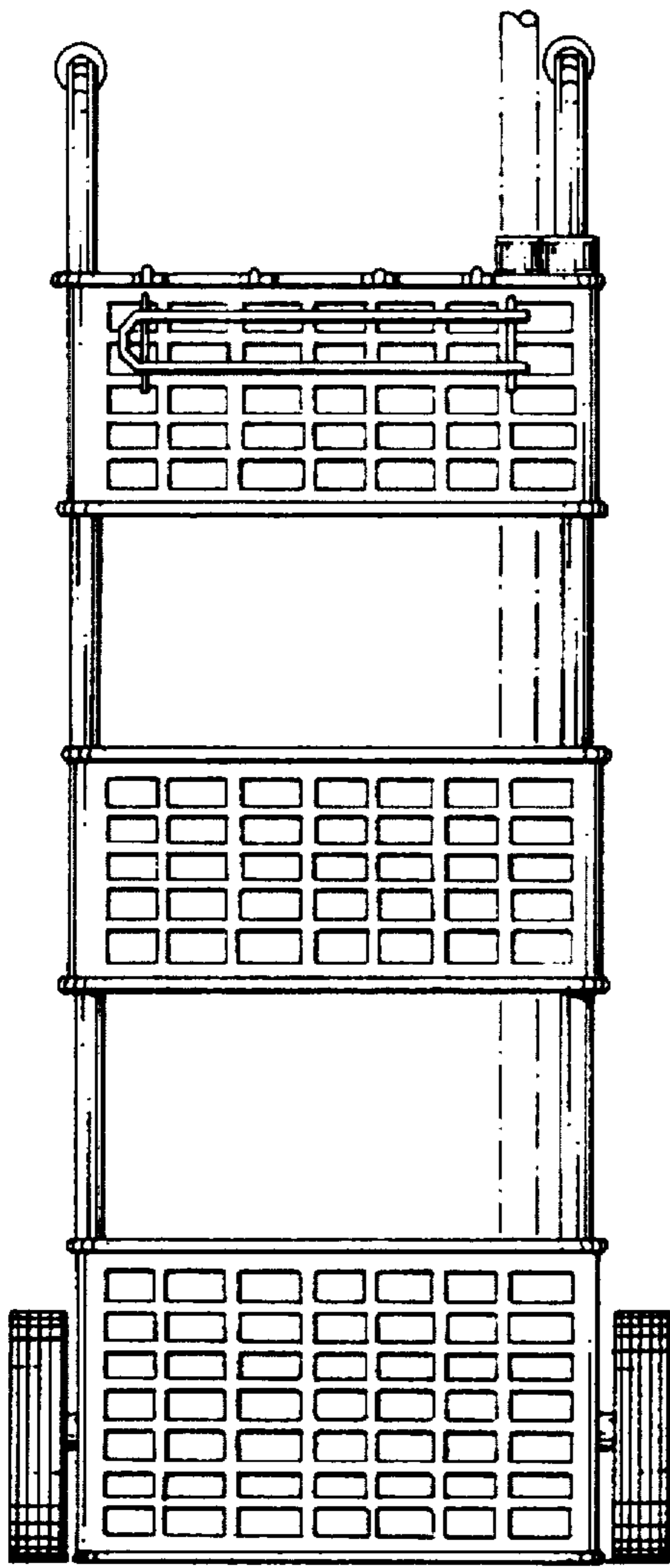


FIG. 9

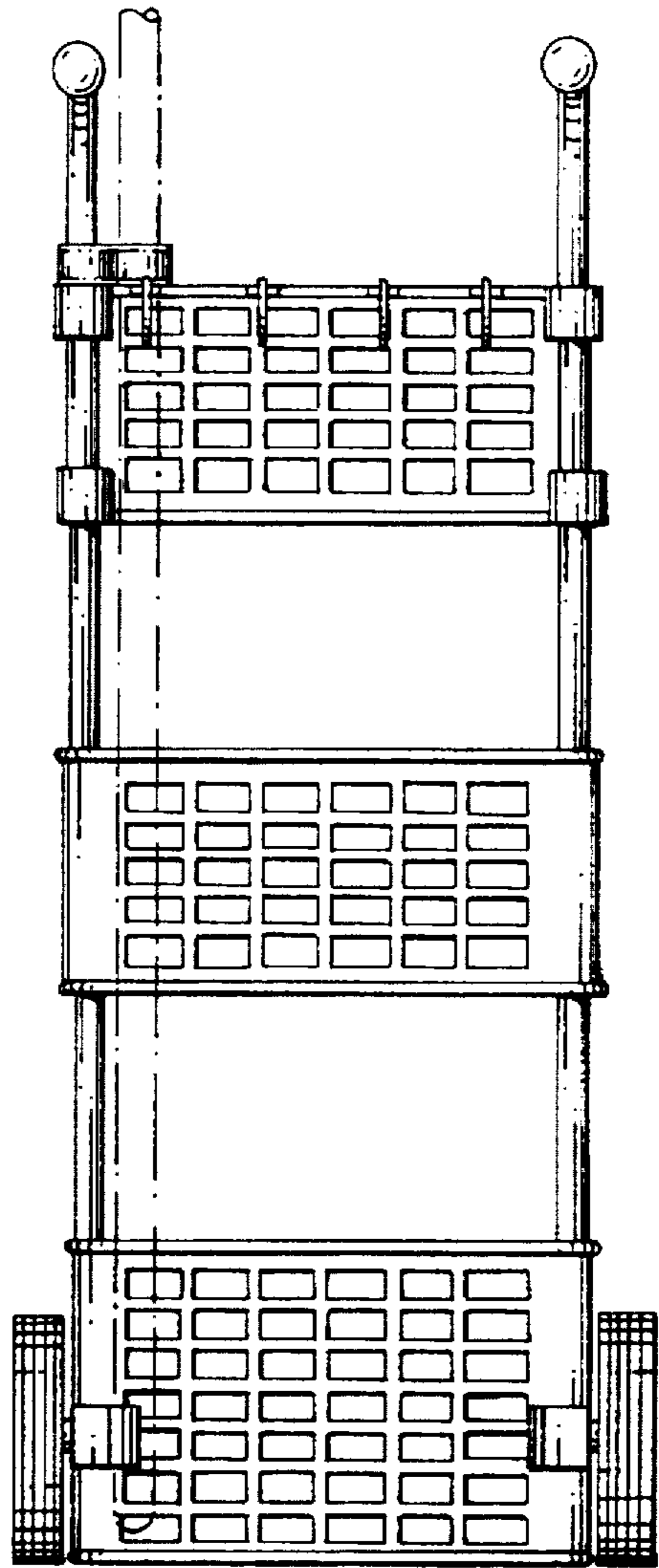


FIG. 10

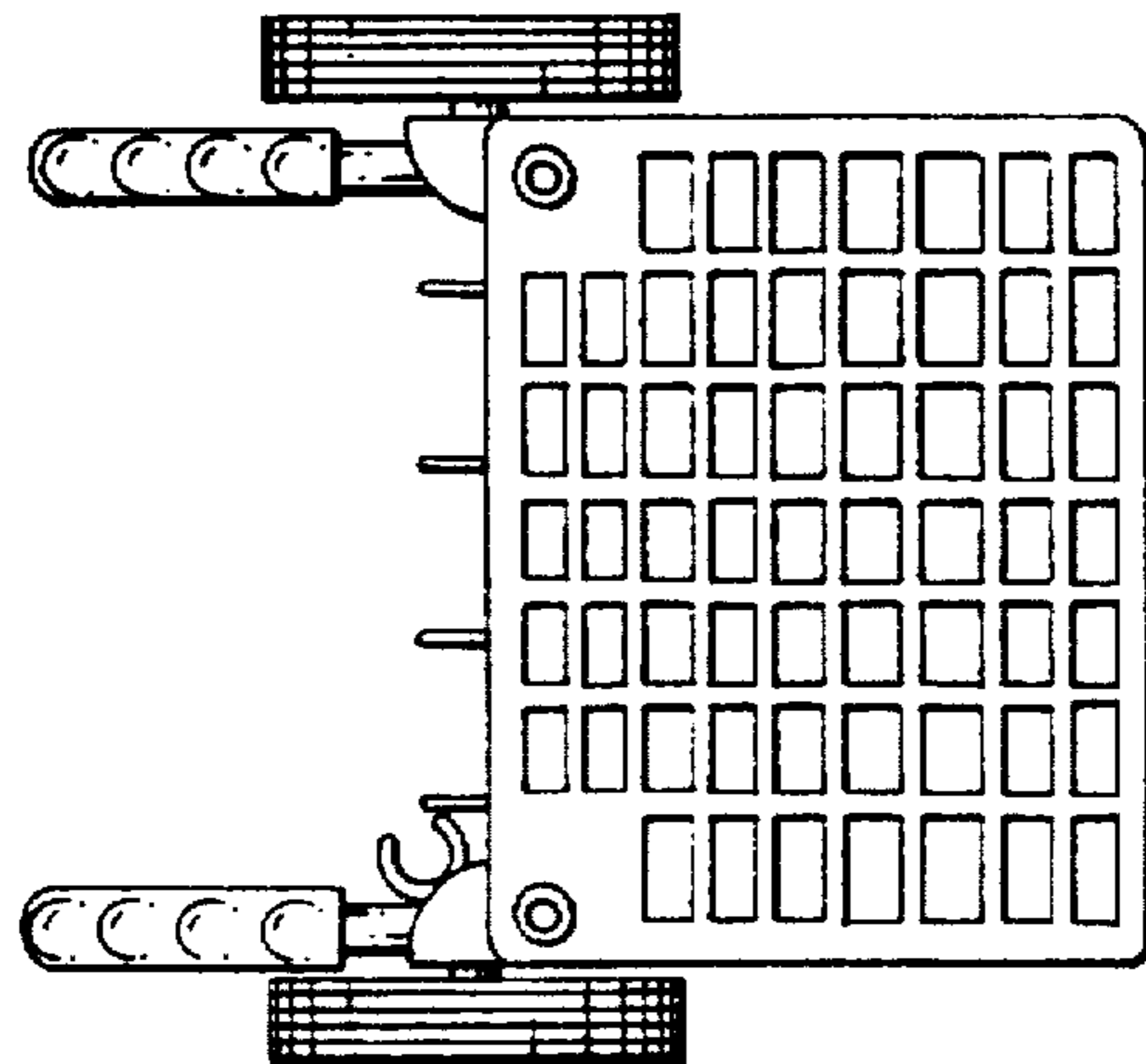


FIG. 12