



US00D396918S

United States Patent [19]

Golichowski et al.

[11] Patent Number: **Des. 396,918**

[45] Date of Patent: ****Aug. 11, 1998**

[54] **PLATFORM TRUCK**

[75] Inventors: **Gary D. Golichowski; Donald C. Presnell**, both of Stephens City, Va.

[73] Assignee: **Rubbermaid Commercial Products Inc.**, Winchester, Va.

[**] Term: **14 Years**

[21] Appl. No.: **70,721**

[22] Filed: **May 14, 1997**

[51] LOC (6) Cl. **12-02**

[52] U.S. Cl. **D34/12; D34/23**

[58] Field of Search D34/12-27; 280/47.11, 280/47.16, 47.24, 47.27, 47.19, 47.34, 79.11, 47.18

[56] **References Cited**

U.S. PATENT DOCUMENTS

D. 340,334 10/1993 Kean et al. D34/17

D. 363,588 10/1995 Bancroft et al. D34/17
4,077,644 3/1978 Roby et al. 280/47.34
4,203,609 5/1980 Mitchell et al. 280/47.11

Primary Examiner—Kay H. Chin

Attorney, Agent, or Firm—Renner, Kenner, Greive, Bobak, Taylor & Weber

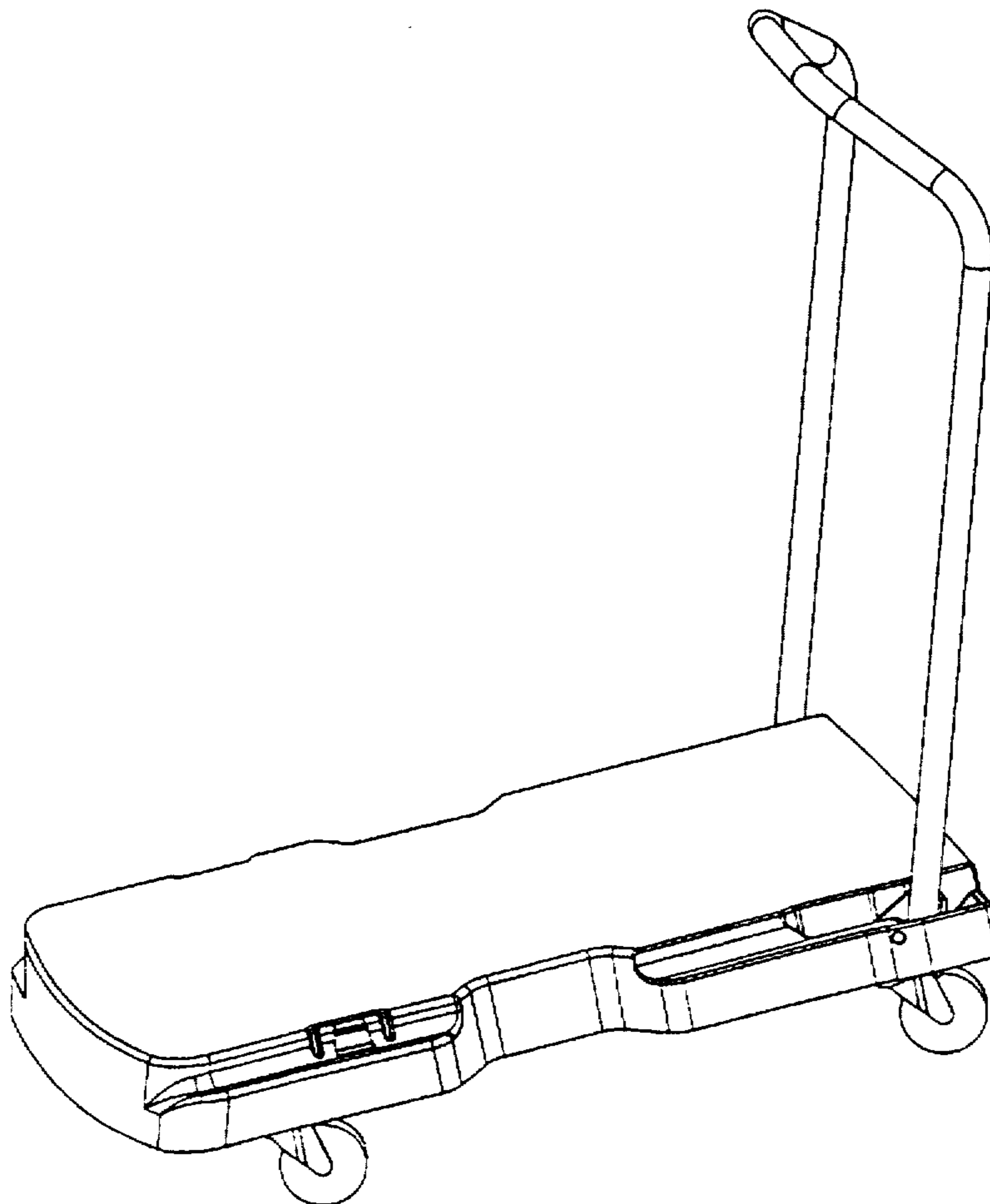
[57] **CLAIM**

The ornamental design for a platform truck, as shown and described.

DESCRIPTION

FIG. 1 is a front, top, right side perspective view of a platform truck showing our new design; FIG. 2 is a left side elevational view thereof, the right side being a mirror image of the left side; FIG. 3 is a top plan view thereof; FIG. 4 is a front elevational view thereof; FIG. 5 is a rear elevational view thereof; and, FIG. 6 is a bottom plan view thereof.

1 Claim, 6 Drawing Sheets



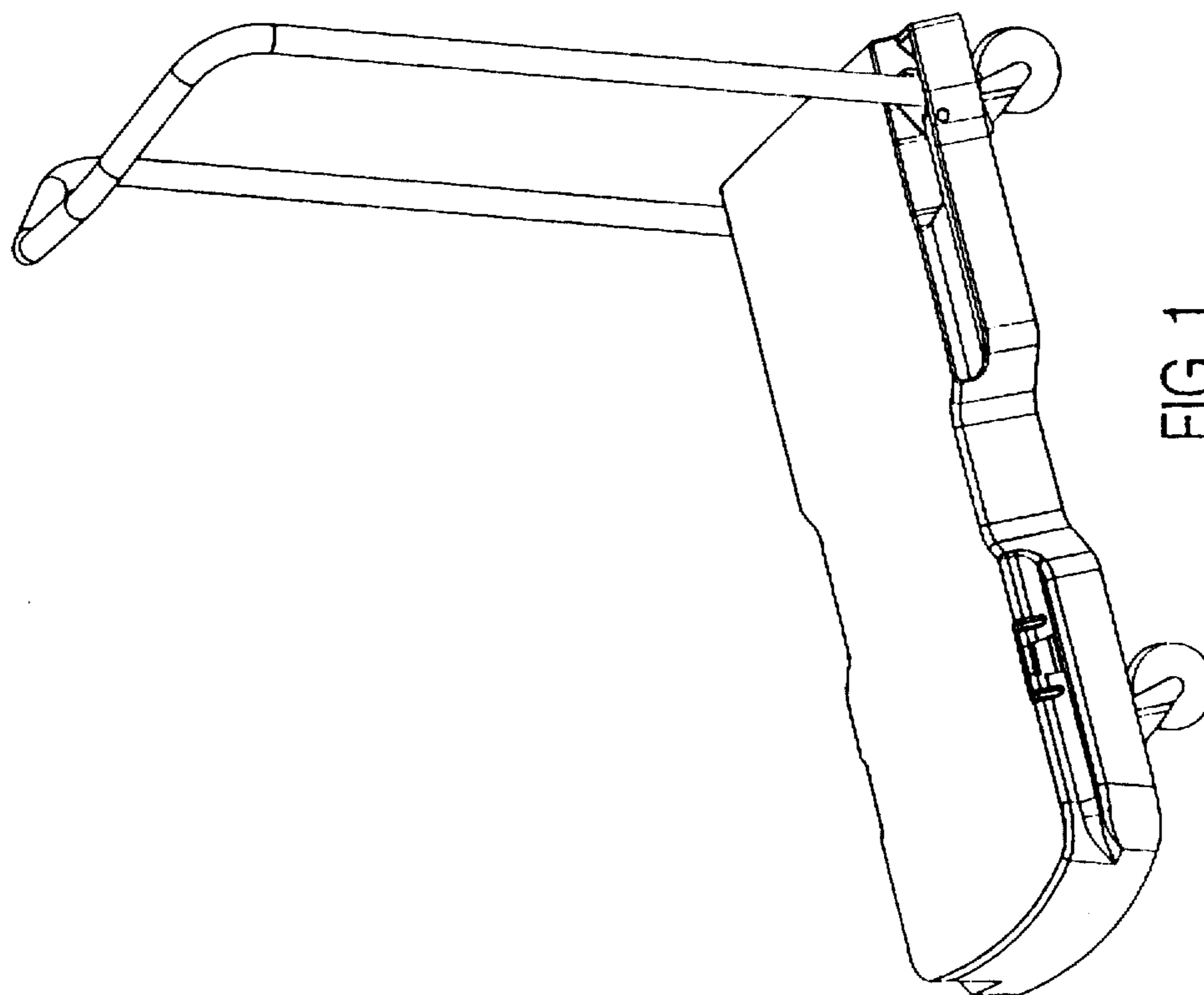


FIG. 1

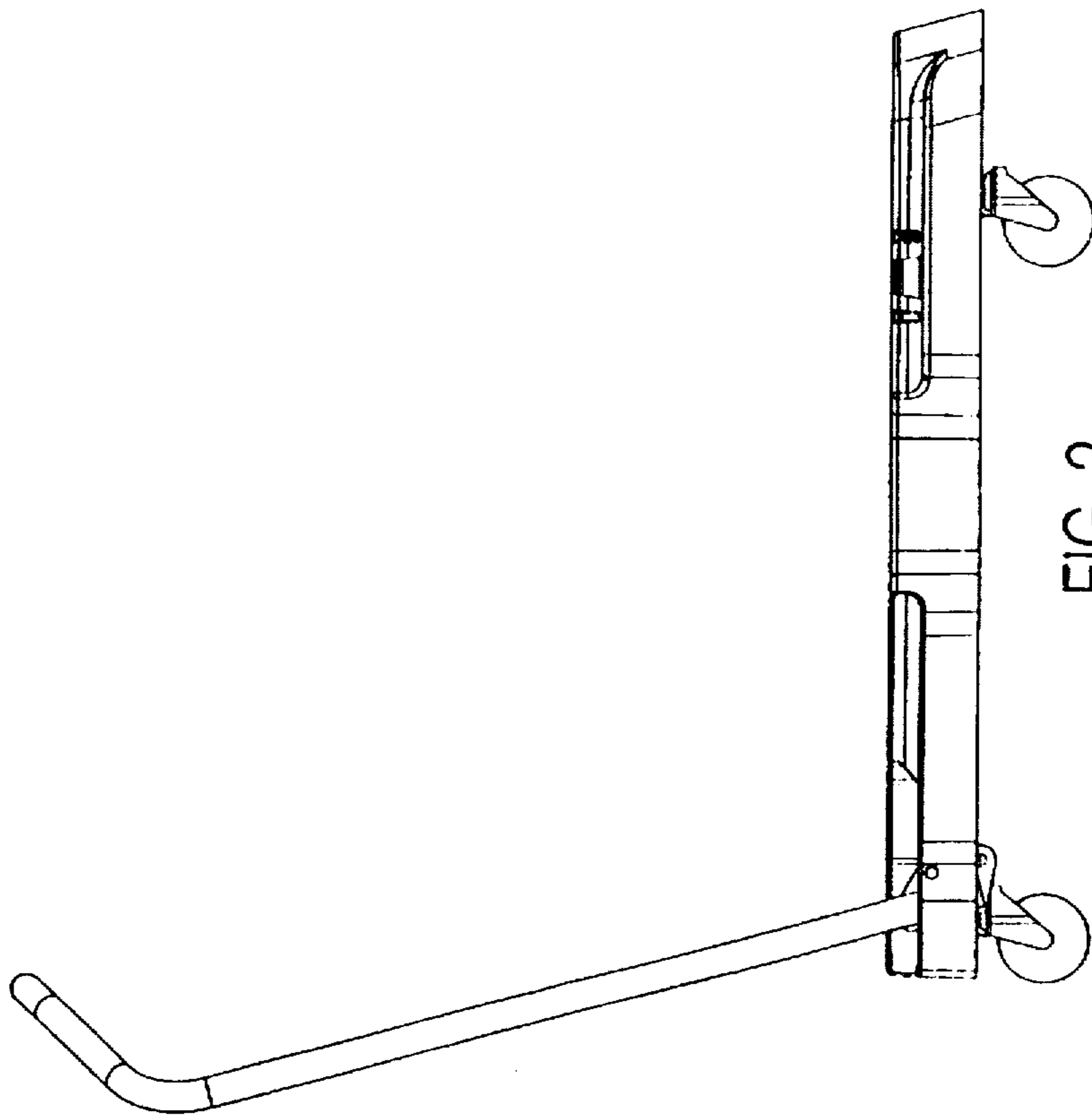


FIG. 2

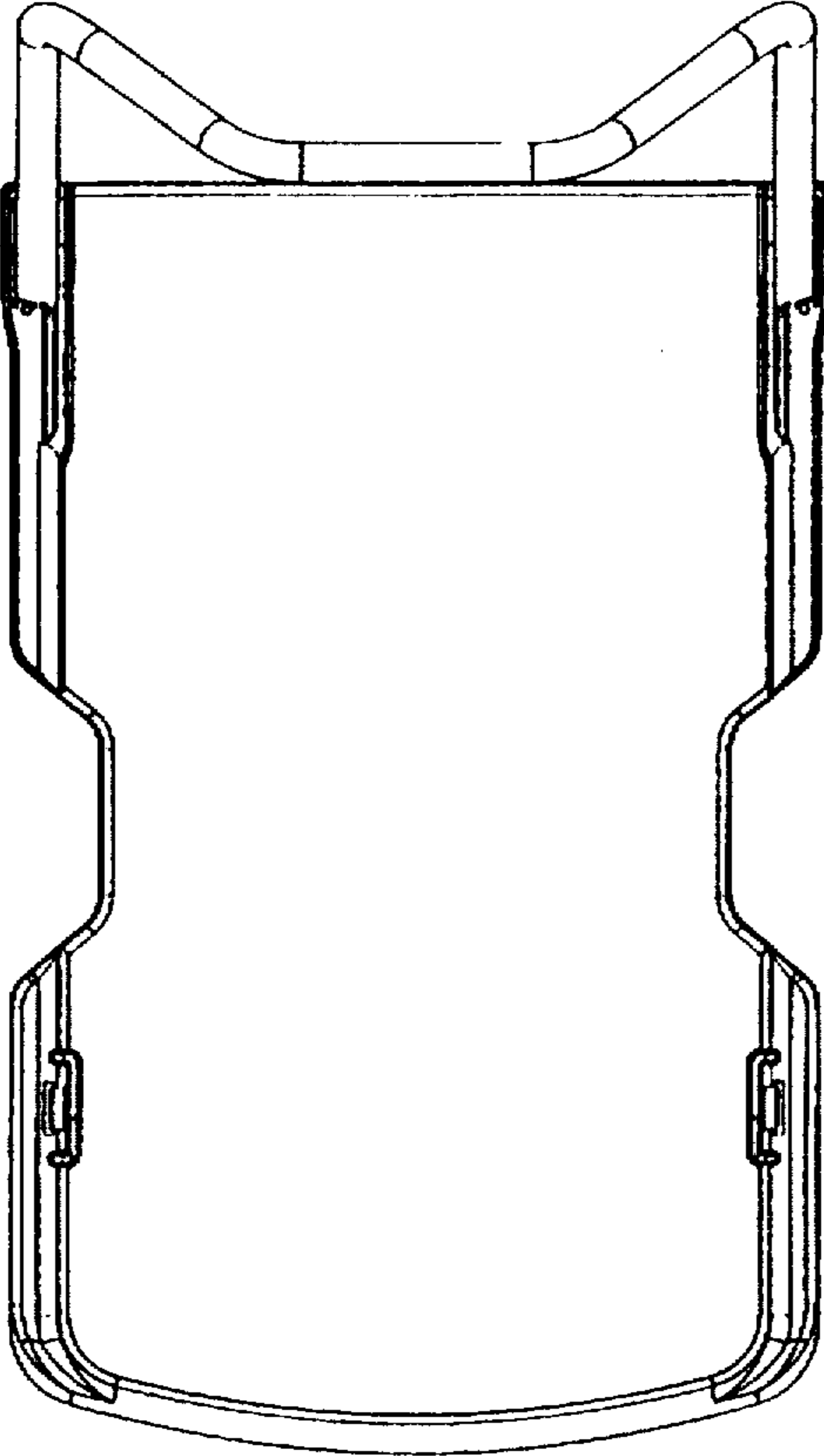


FIG. 3

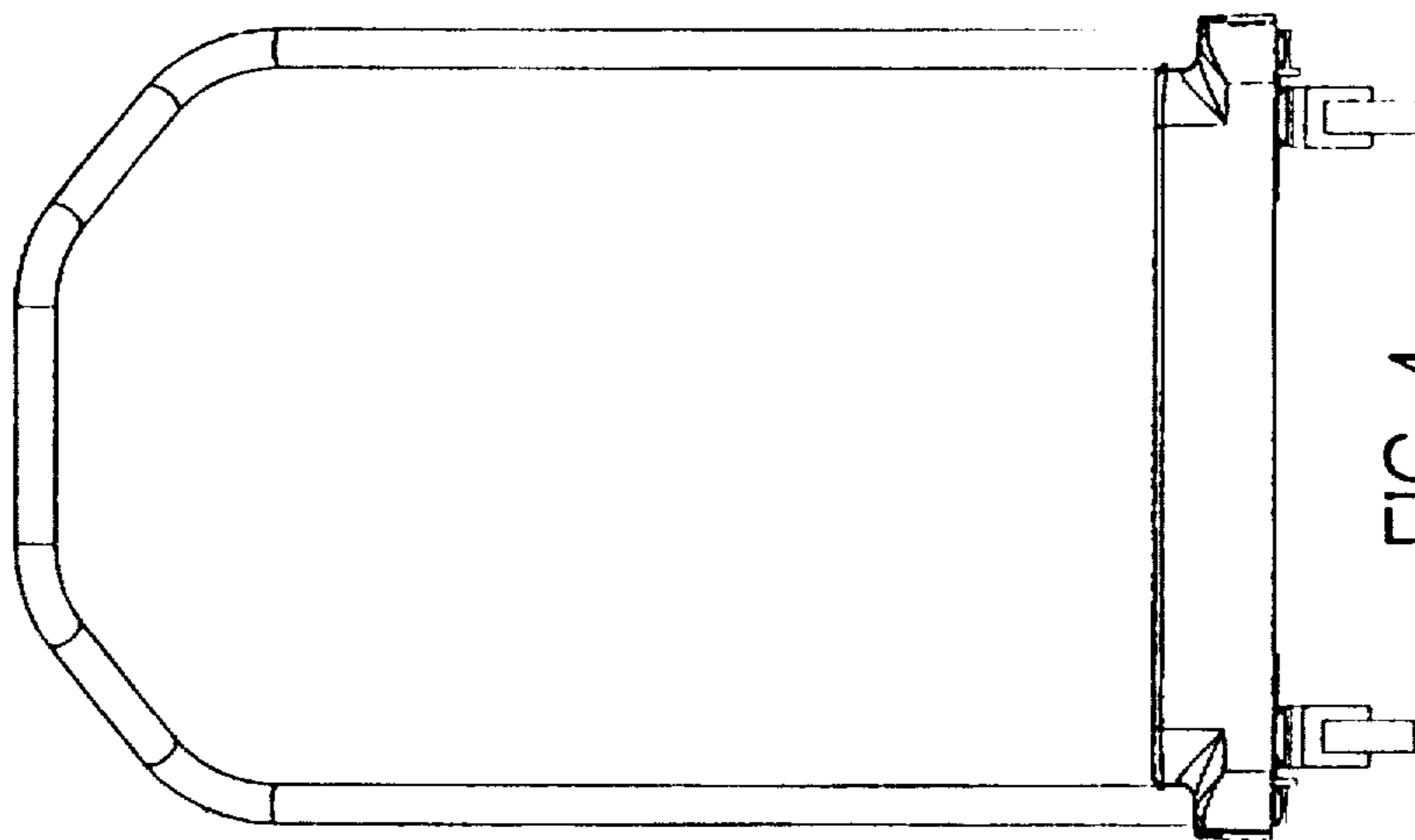


FIG. 4

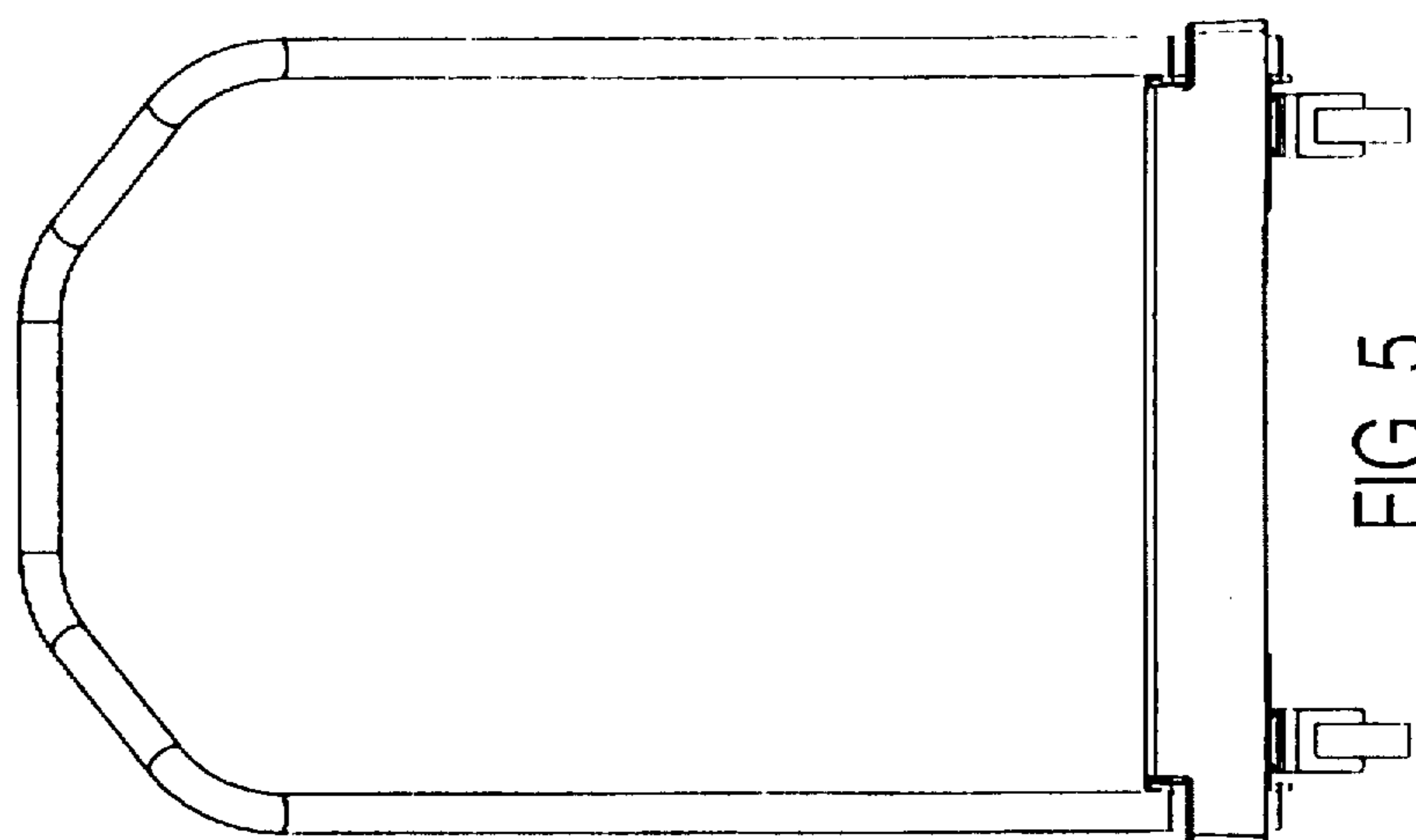


FIG. 5

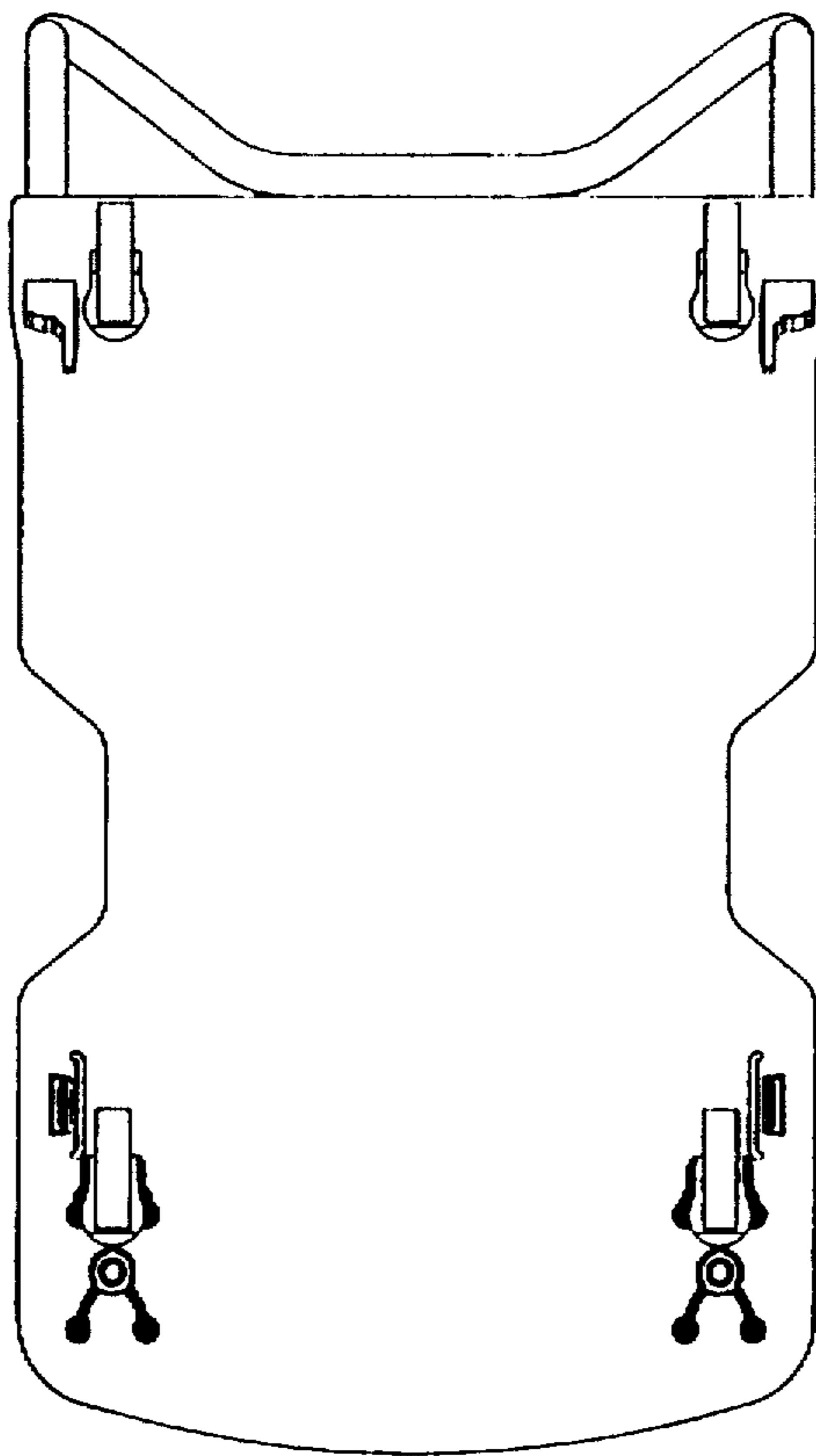


FIG. 6