



US00D396914S

# United States Patent [19]

Pepper et al.

[11] Patent Number: Des. 396,914

[45] Date of Patent: \*\*Aug. 11, 1998

[54] MOP BUCKET

[76] Inventors: **Robert A. Pepper**, 2108 Brookfield St.;  
**Michael P. Isihos**, East Vine Rd., both  
of Vineland, N.J. 08360

[\*\*] Term: **14 Years**

[21] Appl. No.: **68,725**

[22] Filed: **Mar. 17, 1997**

[51] LOC (6) Cl. .... **07-07**

[52] U.S. Cl. .... **D32/53**

[58] Field of Search ..... D32/53, 53.1,  
D32/54; 220/904; 15/260, 262, 263, 264

### [56] References Cited

#### U.S. PATENT DOCUMENTS

D. 164,273	8/1951	Auth	.....	D32/53
D. 216,277	12/1969	James	.....	D32/53
D. 222,684	11/1971	Tarrasa	.....	D32/53
D. 227,148	6/1973	Oas	.....	D32/53
D. 248,610	7/1978	Schwartz	.....	D32/53
D. 292,238	10/1987	O'Brien	.....	D32/53
D. 296,833	7/1988	Slattery et al.	.....	D32/53
D. 344,379	2/1994	Clark, Jr.	.....	D32/53

D. 345,236	3/1994	Chen	.....	D32/53
3,506,997	4/1970	Coraminias	.....	15/262
3,562,841	2/1971	Royalty	.....	15/260
3,747,154	7/1973	O'Neil	.....	15/264
5,063,631	11/1991	Parker	.....	15/260

*Primary Examiner*—Alan P. Douglas  
*Assistant Examiner*—Robin V. Taylor  
*Attorney, Agent, or Firm*—David L. Volk

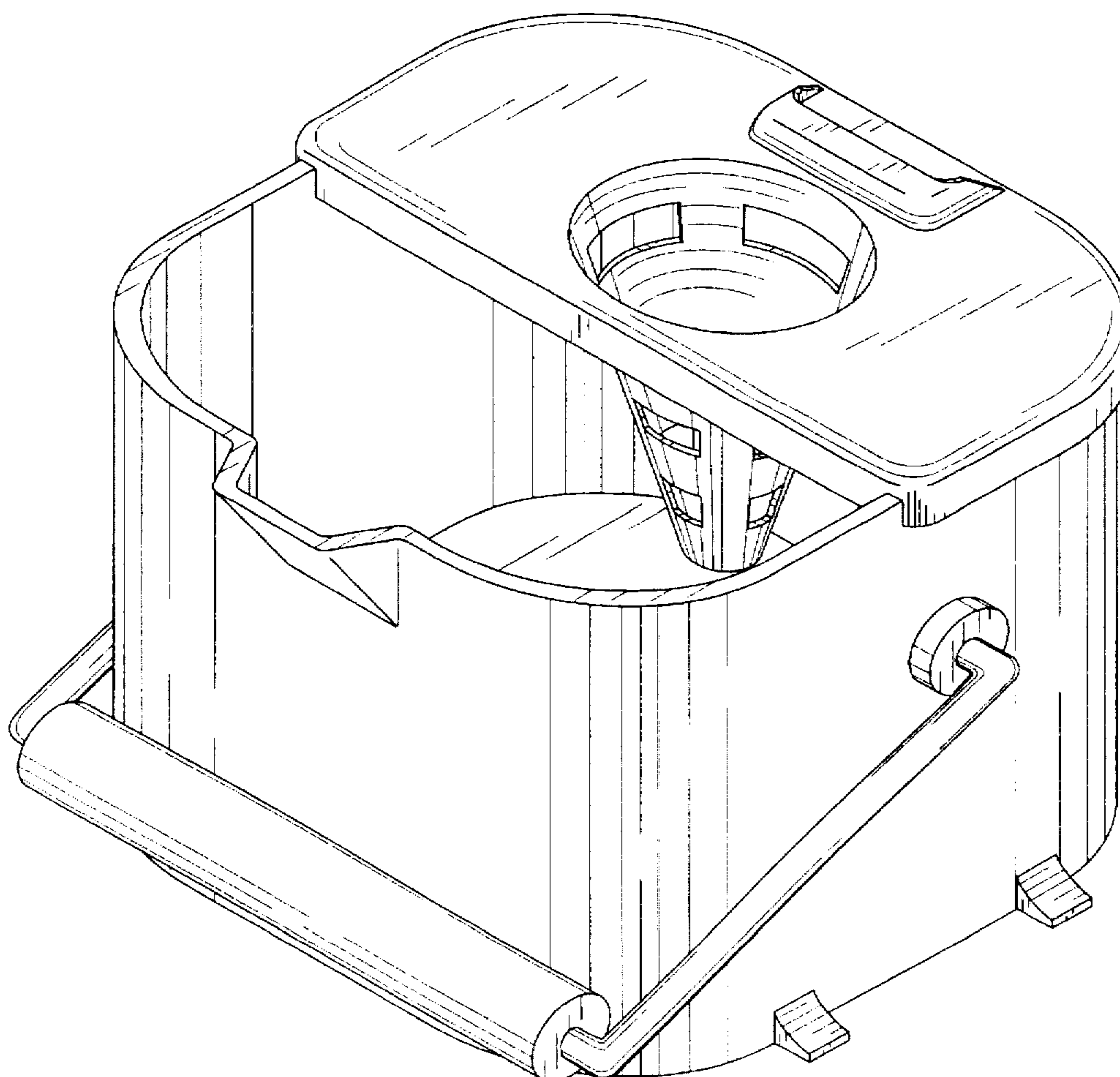
### [57] CLAIM

The ornamental design for a mop bucket, as shown and described.

### DESCRIPTION

FIG. 1 is an exploded perspective view of a mop bucket showing my new design;  
FIG. 2 is a left side elevational view thereof, the opposite side being a mirror image;  
FIG. 3 is a front elevational view thereof;  
FIG. 4 is a rear elevational view thereof;  
FIG. 5 is a top plan view thereof;  
FIG. 6 is a bottom plan view thereof; and,  
FIG. 7 is a perspective view thereof, shown with the lid attached.

**1 Claim, 7 Drawing Sheets**



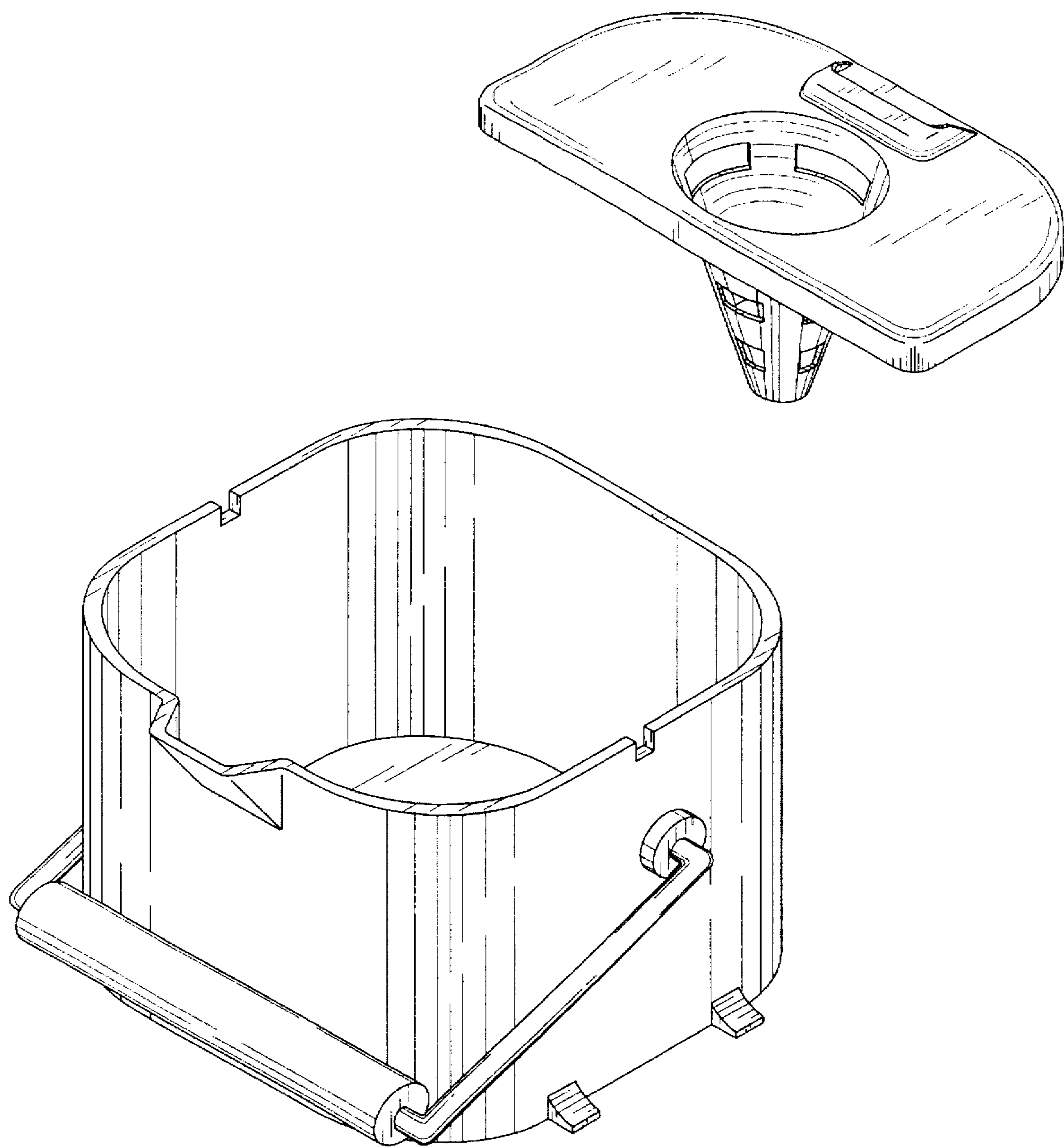
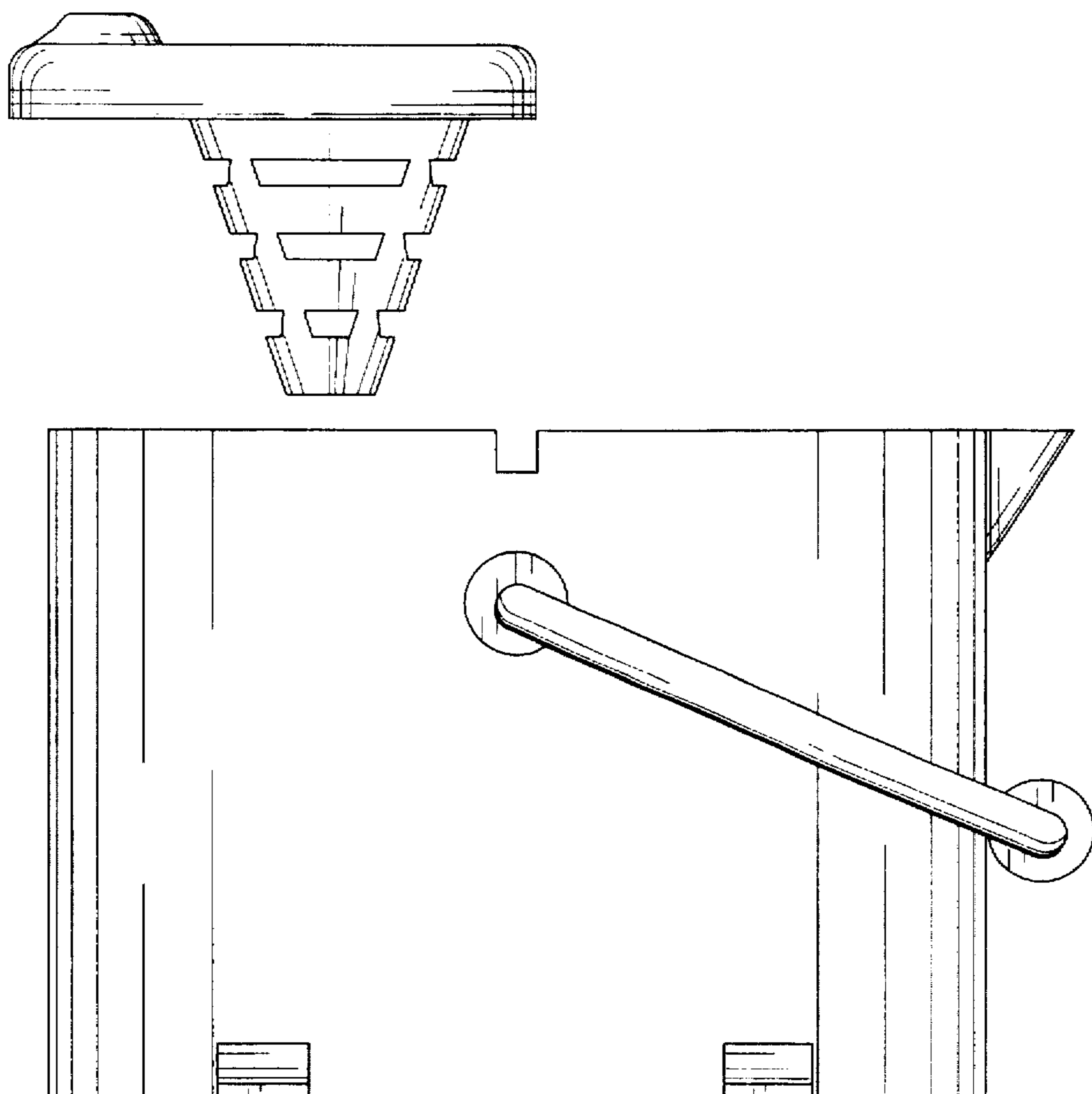
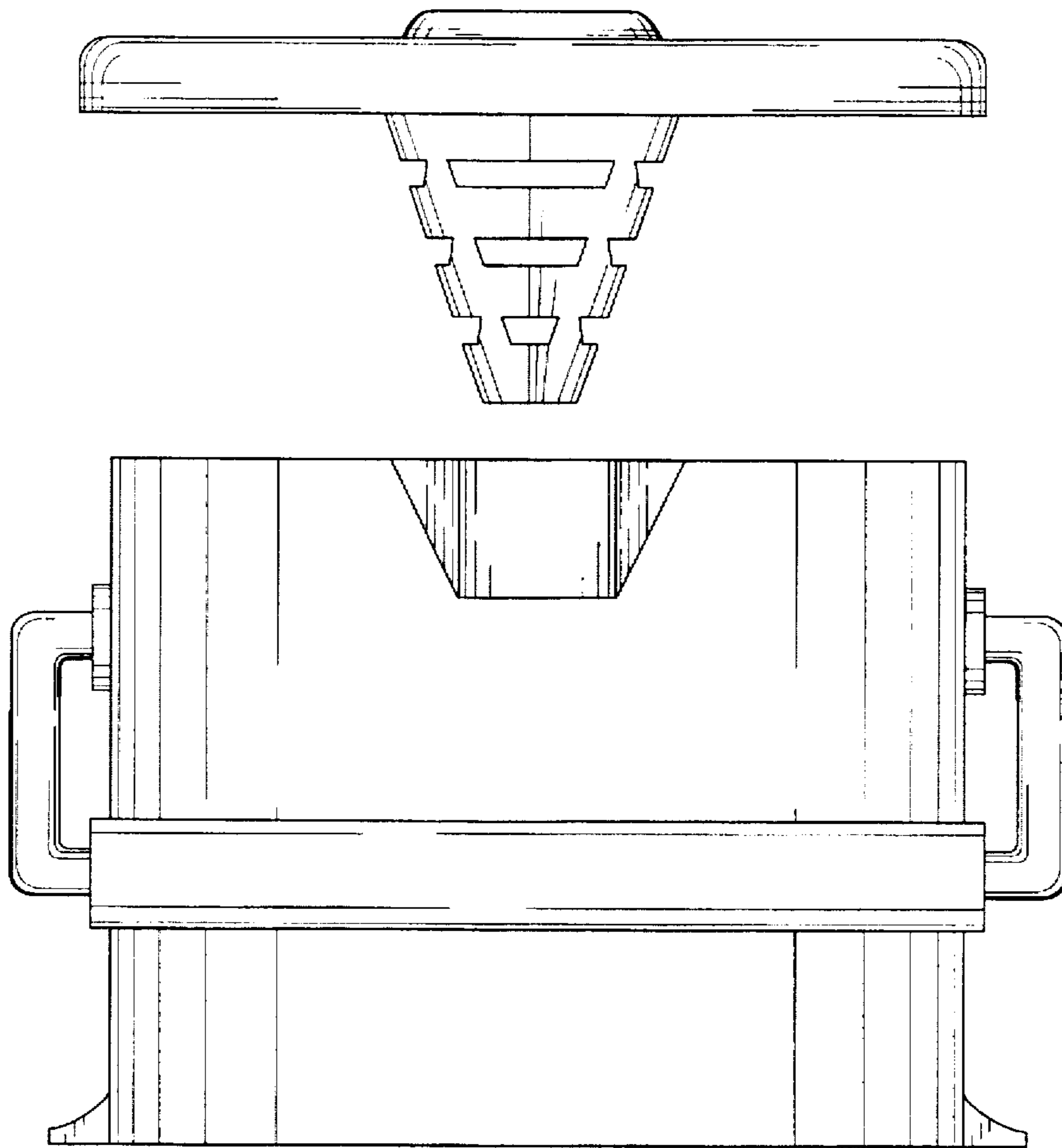


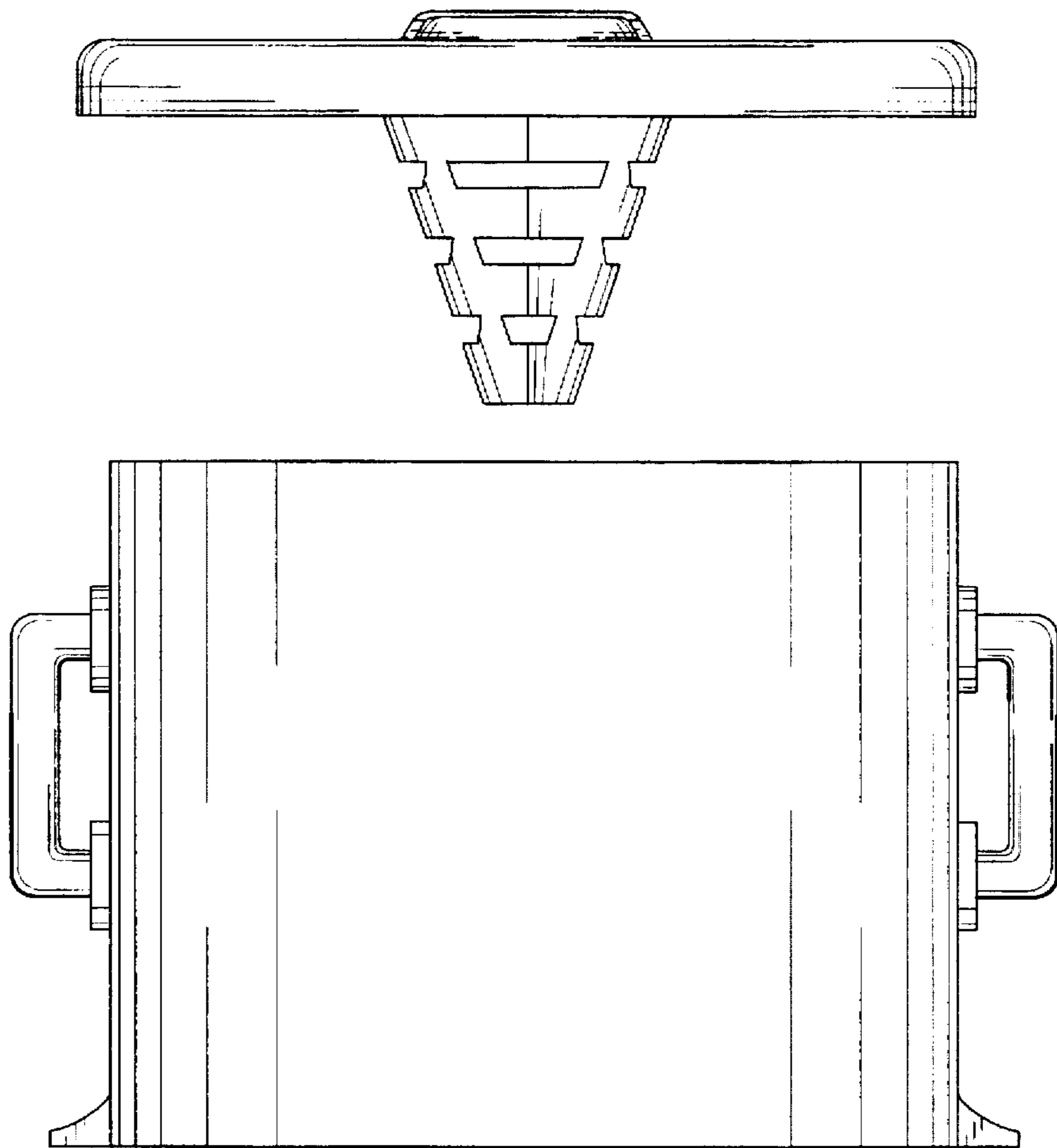
Fig. 1



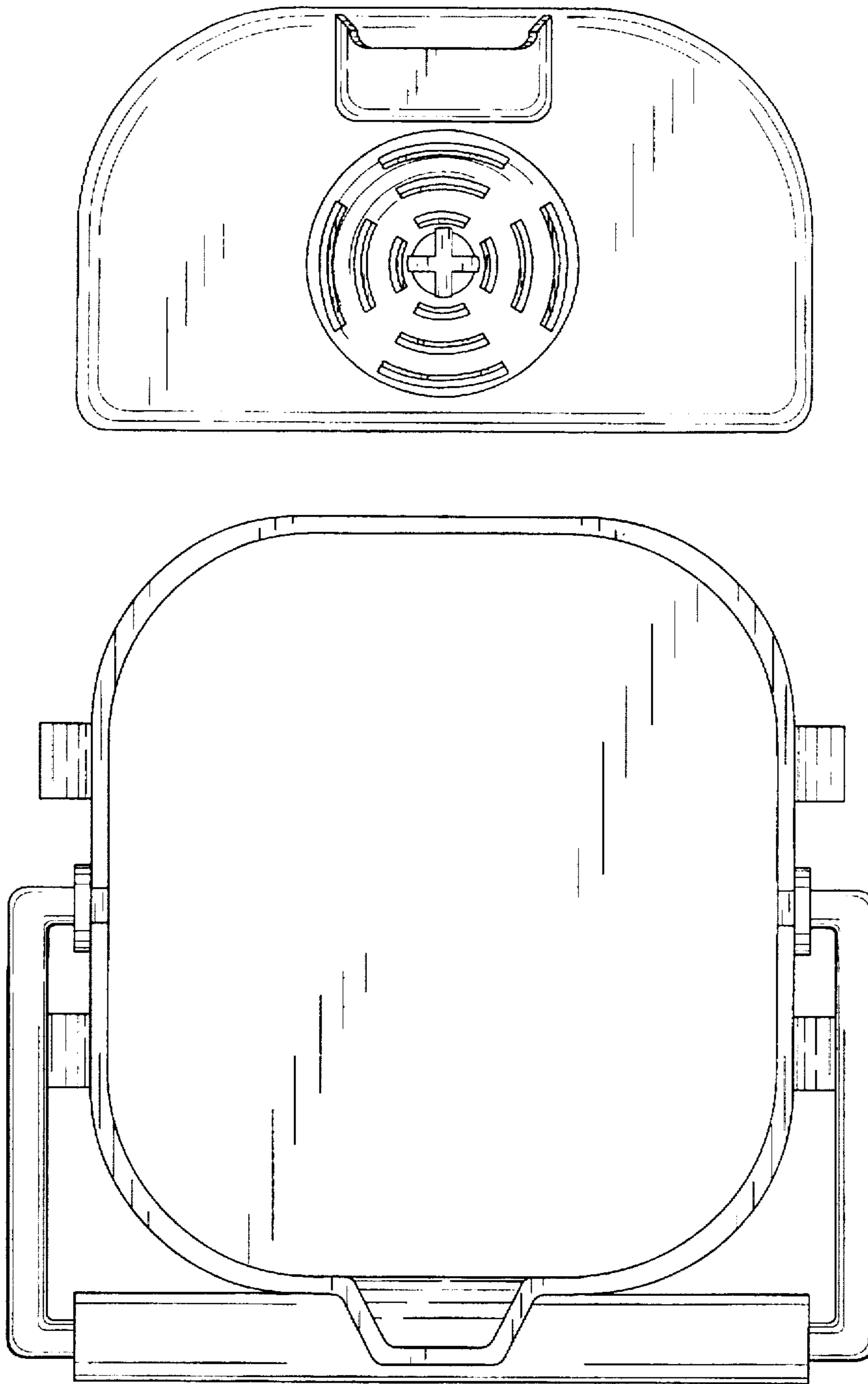
**Fig. 2**



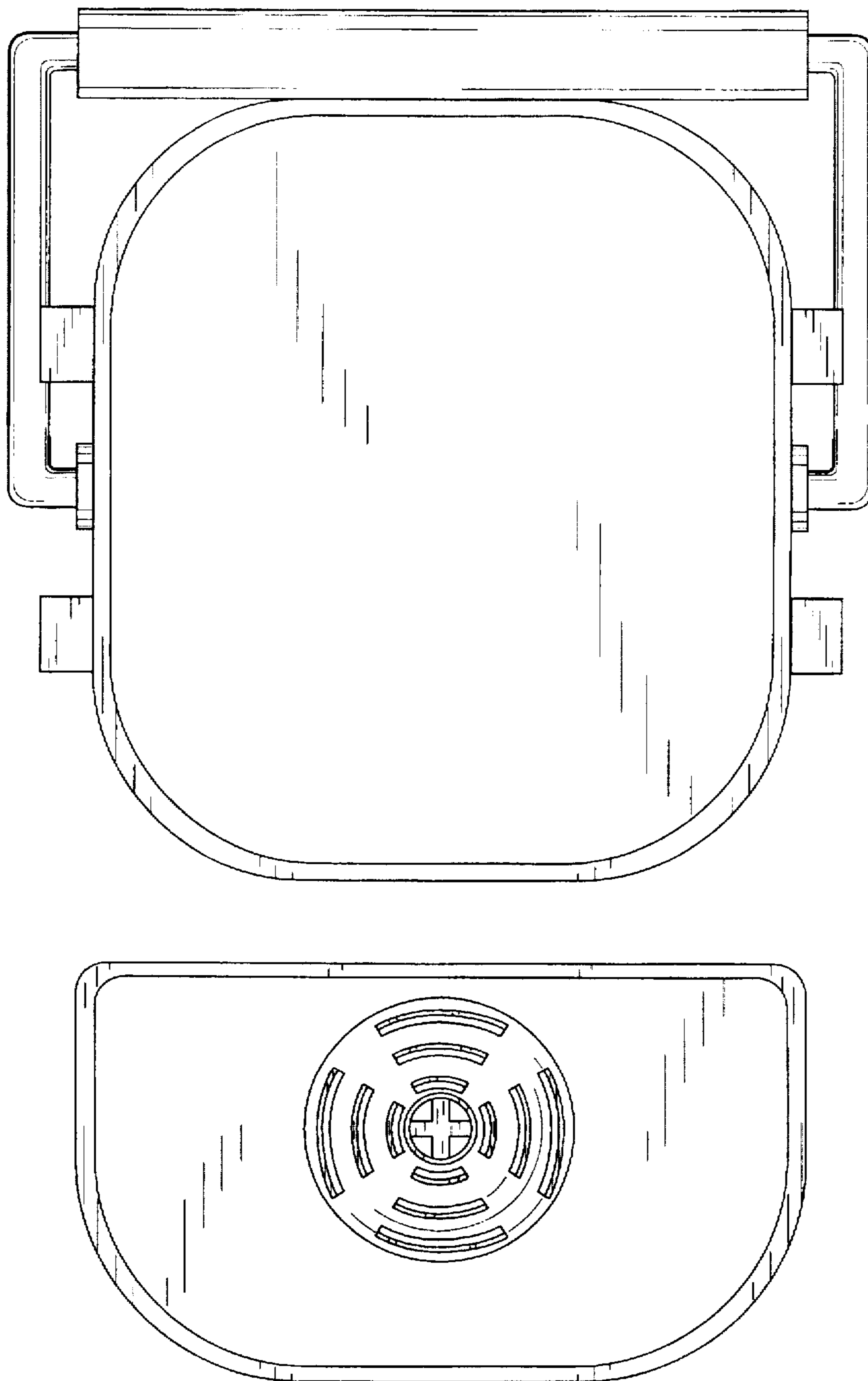
**Fig. 3**



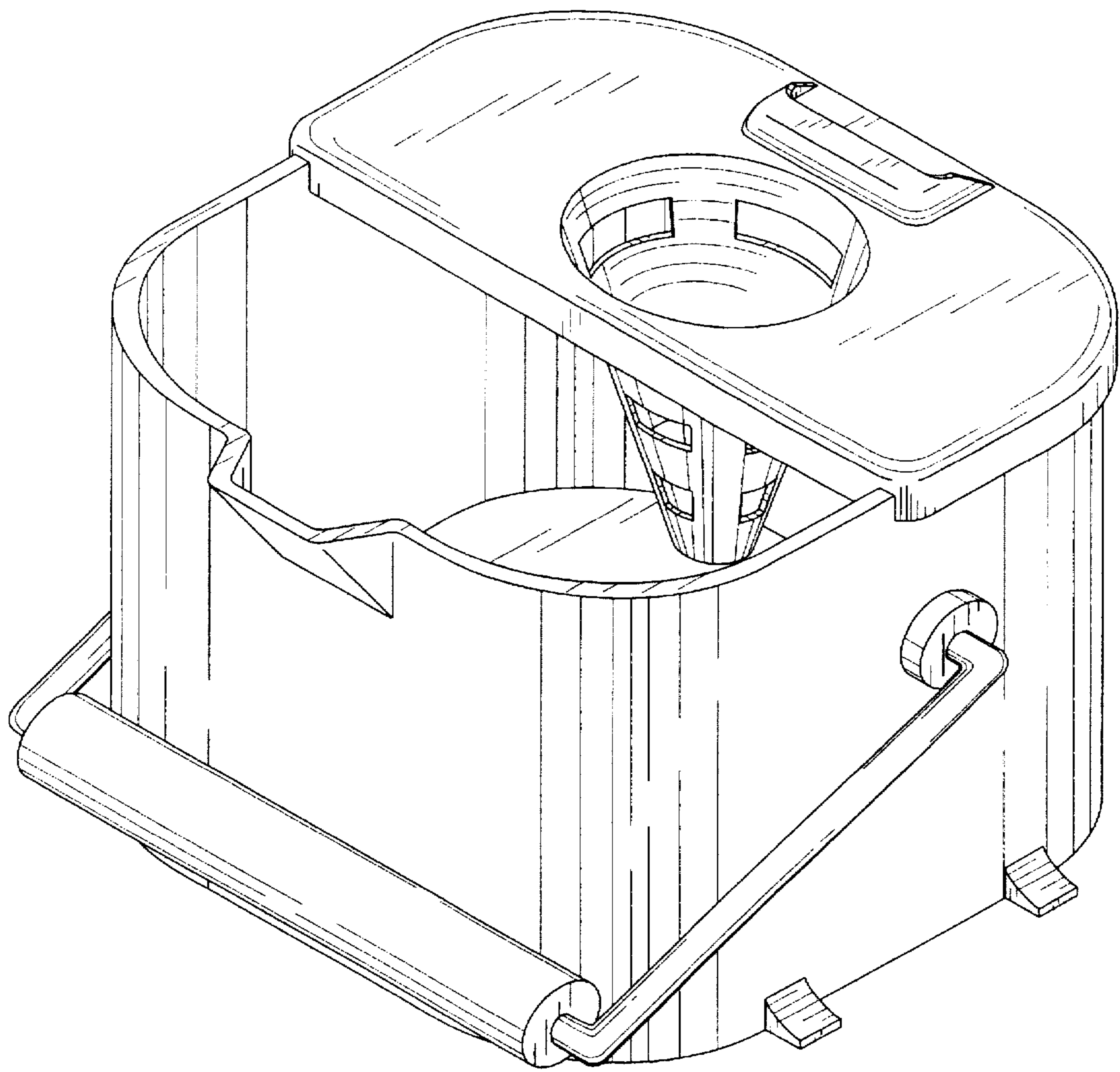
**Fig. 4**



**Fig. 5**



**Fig. 6**



**Fig. 7**