



US00D396911S

United States Patent [19]
DeHavilland

[11] **Patent Number: Des. 396,911**
[45] **Date of Patent: **Aug. 11, 1998**

[54] **LIQUID APPLICATOR BODY**
[75] **Inventor: Lesley M. DeHavilland, Olathe, Kans.**
[73] **Assignee: Medi-Flex Hospital Products, Inc., Overland Park, Kans.**
[**] **Term: 14 Years**
[21] **Appl. No.: 71,741**
[22] **Filed: Jun. 2, 1997**

3,774,609 11/1973 Schwartzman .
4,183,684 1/1980 Avery, Jr. .
4,391,013 7/1983 Jenssen 15/244.1
4,475,835 10/1984 Verboom et al. .
4,784,506 11/1988 Koreska et al. .
4,899,739 2/1990 Konishi .
5,147,337 9/1992 Plone .
5,429,678 7/1995 Fany 15/244.1 X

Related U.S. Application Data

[62] Division of Ser. No. 57,317, Jul. 23, 1996.
[51] **LOC (6) Cl. 04-01**
[52] **U.S. Cl. D32/52; D4/137; D32/40**
[58] **Field of Search D32/40, 35, 43; D28/63; D4/137; 15/244.1, 244.4, 218.1, 200.4, 229.11; 401/131, 138, 139, 140, 203**

FOREIGN PATENT DOCUMENTS

16547 11/1915 United Kingdom .

Primary Examiner—Susan J. Lucas
Assistant Examiner—Cynthia E. Ramirez
Attorney, Agent, or Firm—Shook, Hardy & Bacon L.L.P.

References Cited

U.S. PATENT DOCUMENTS

D. 146,914 6/1947 Grae D4/137 X
D. 221,822 9/1971 Kieves D4/137
D. 223,738 5/1972 Stein D4/137
D. 226,144 1/1973 Brainerd D4/137 X
D. 245,390 8/1977 Hoyt D32/52
D. 260,845 9/1981 Friebel D32/40
1,332,985 3/1920 Jarrett .
3,366,112 1/1968 Antonik .
3,466,131 9/1969 Arcudi .
3,768,916 10/1973 Avery .

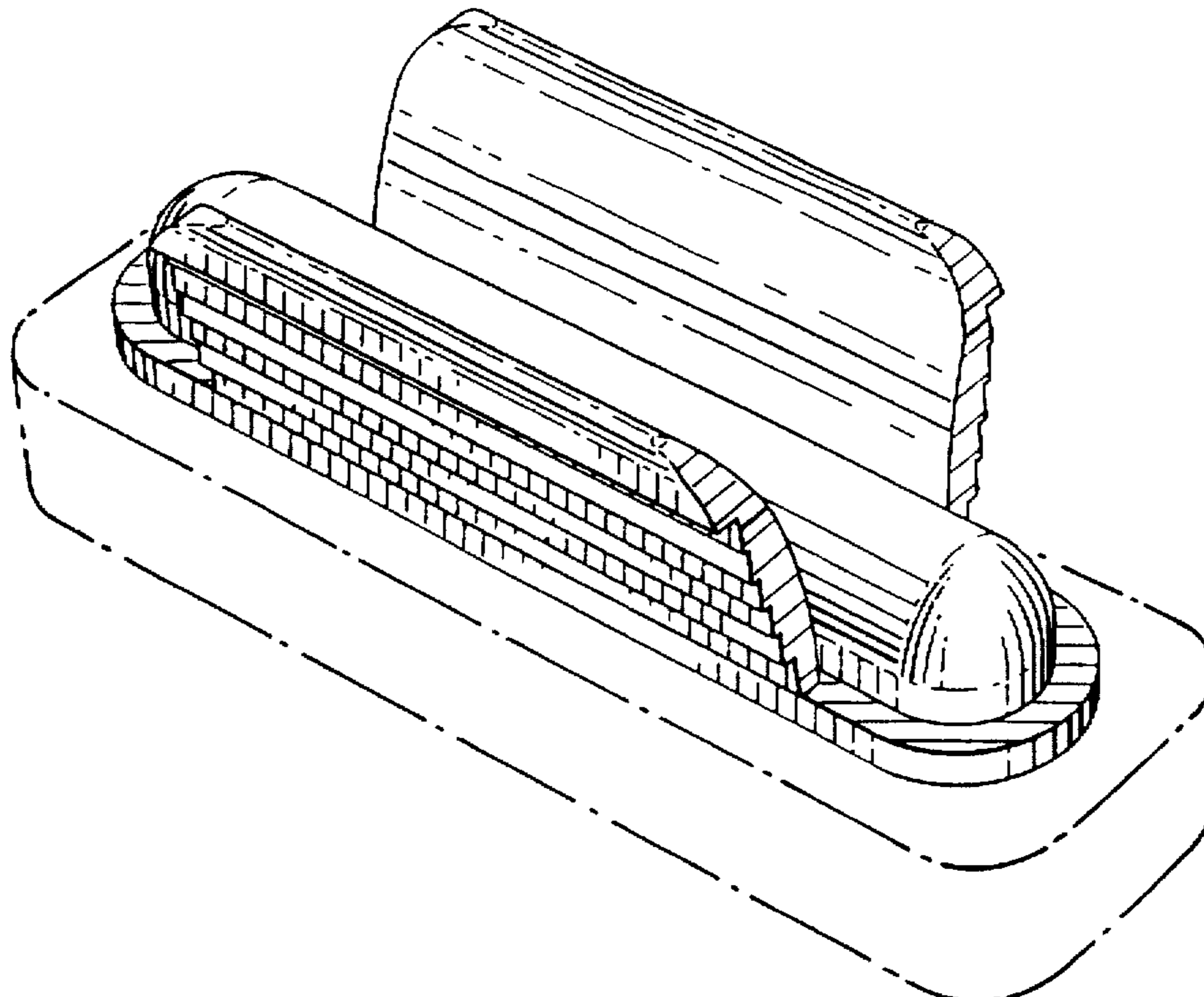
[57] **CLAIM**

The ornamental design for a liquid applicator body, as shown and described.

DESCRIPTION

FIG. 1 is a top perspective view thereof;
FIG. 2 is a bottom perspective view thereof;
FIG. 3 is a front elevational view thereof, the rear elevational view being identical thereto;
FIG. 4 is a top plan view thereof; and,
FIG. 5 is a right end elevational view thereof, the left end elevational view being identical thereto.
The broken line showing of a porous element attached to the bottom surface of the liquid applicator body in FIGS. 1, 3, 4 and 5, and of the bottom surface of the liquid applicator body in FIG. 2, are for illustrative purposes only and do not form a part of the claimed design.

1 Claim, 2 Drawing Sheets



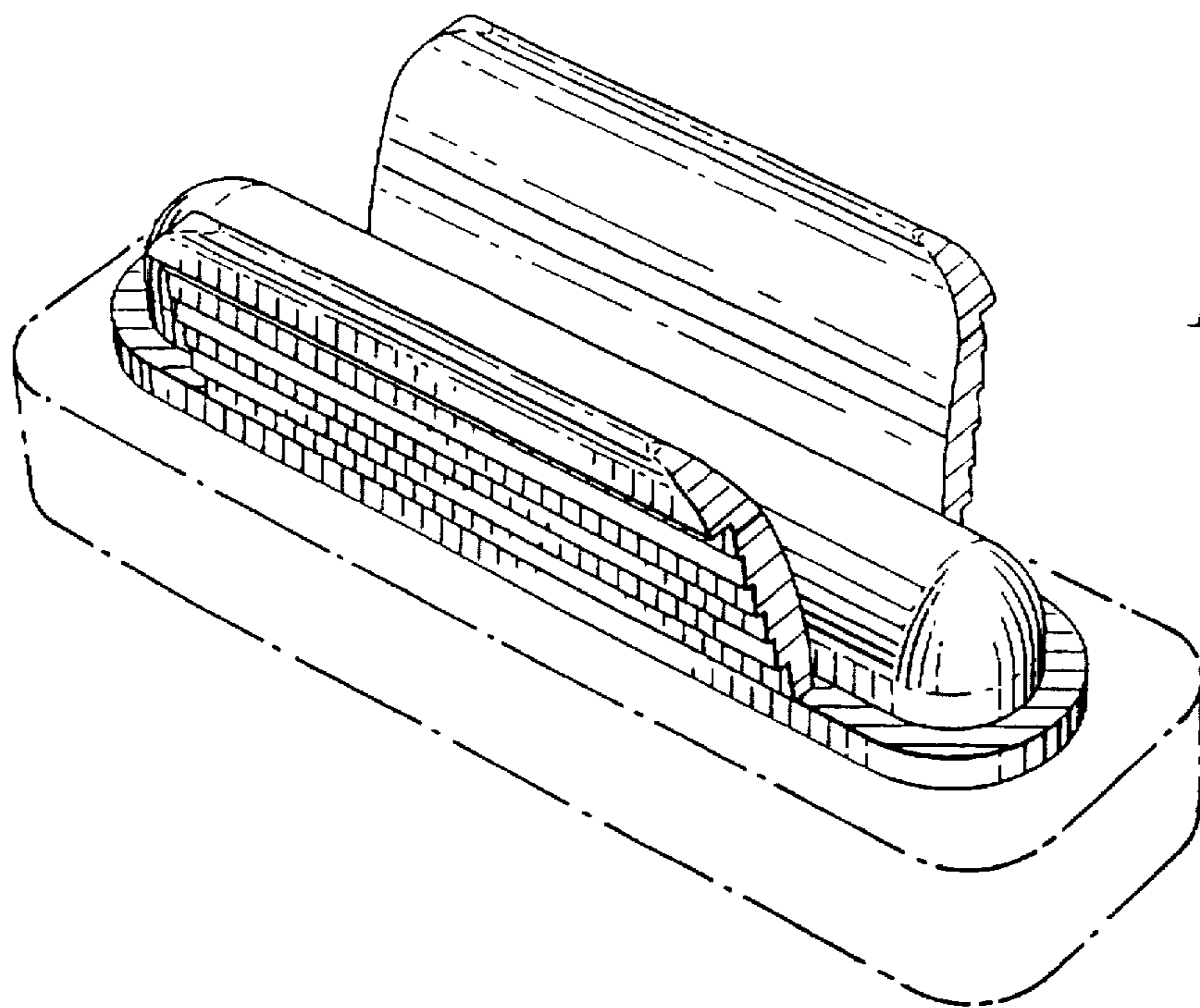
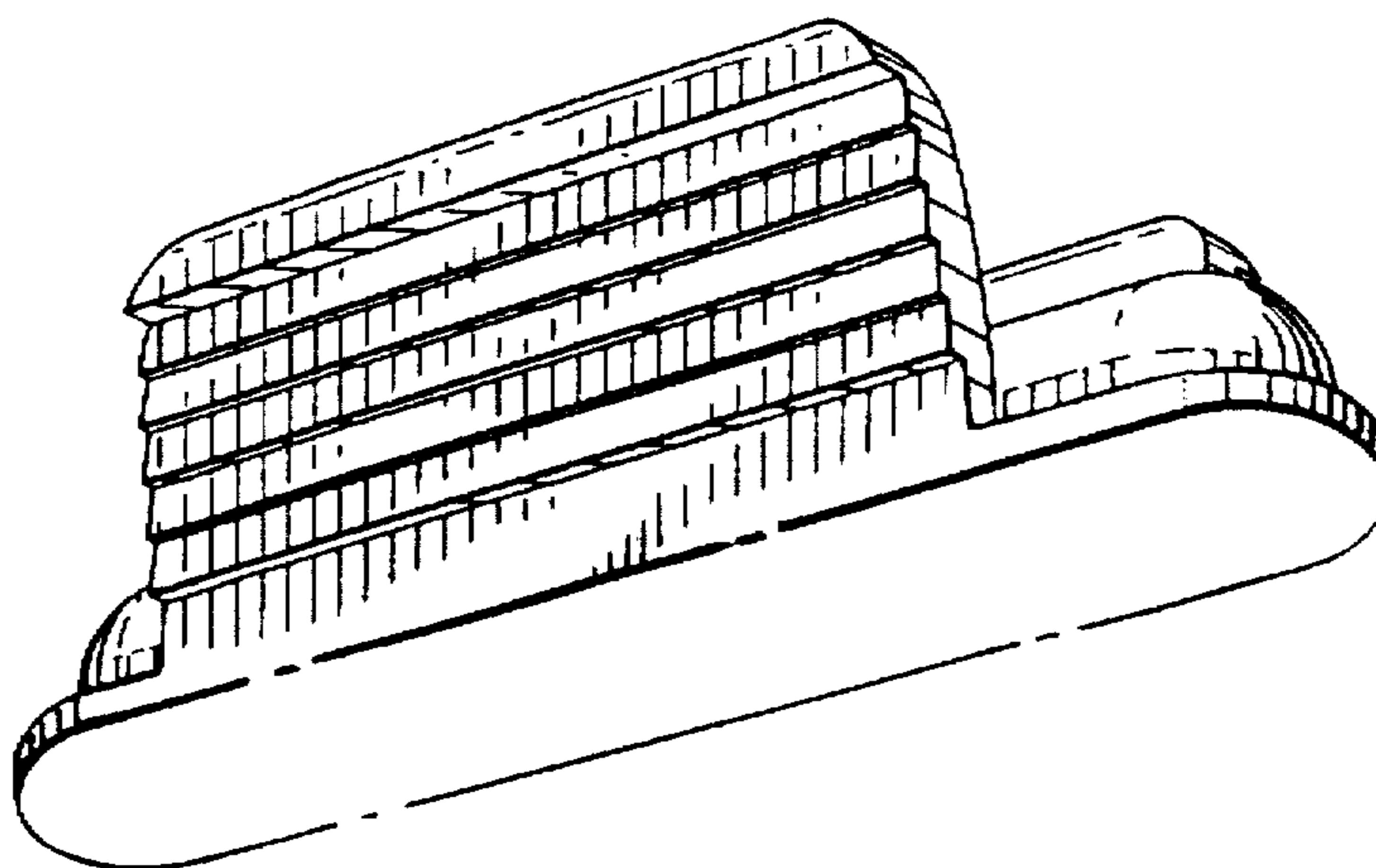


FIG. 1.

FIG. 2.



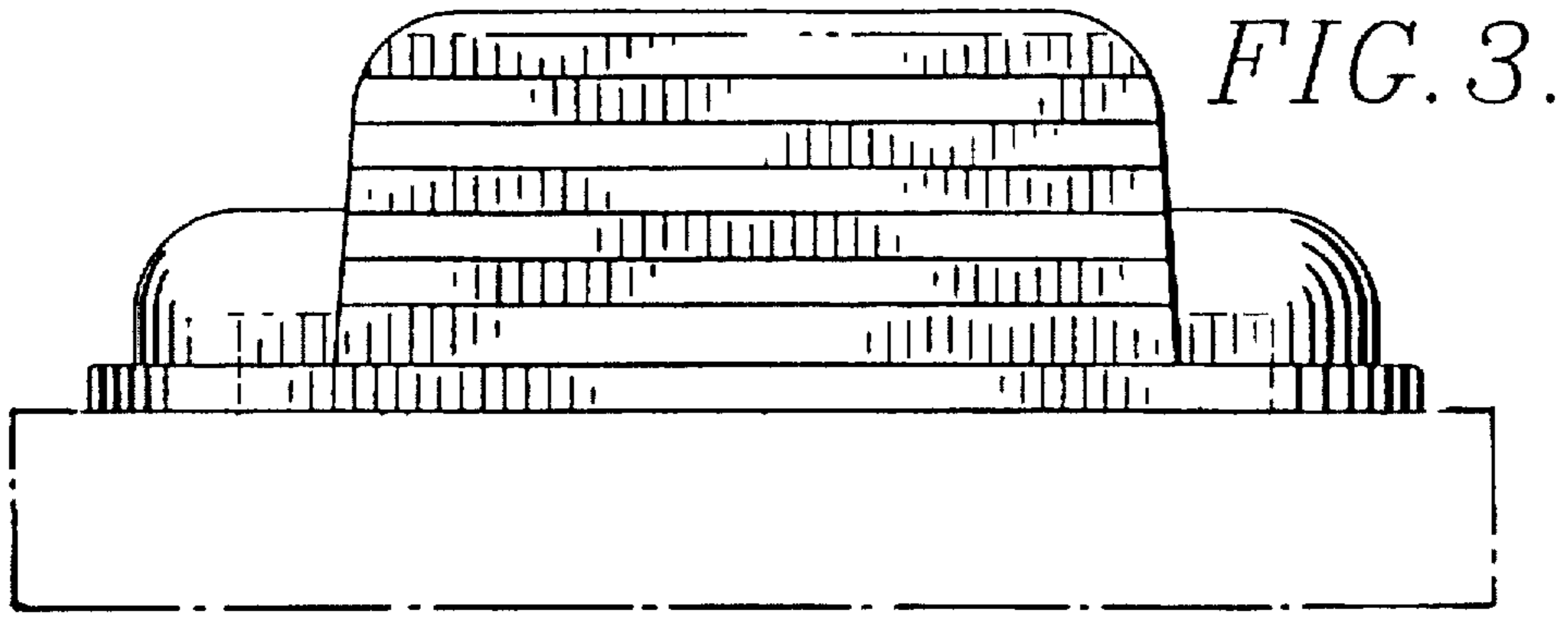


FIG. 4.

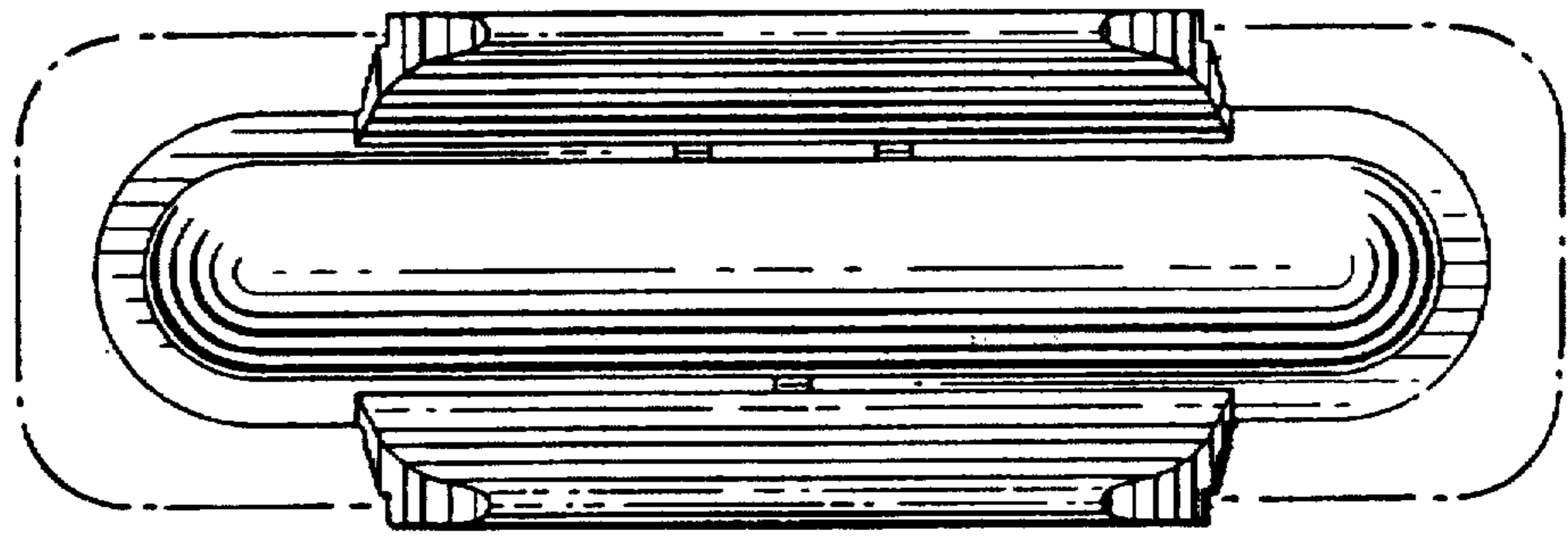


FIG. 5.

