



US00D396906S

# United States Patent [19] Medici

[11] Patent Number: **Des. 396,906**

[45] Date of Patent: **\*\*Aug. 11, 1998**

[54] **SCREEN CLEANING HEAD**

[76] Inventor: **Thomas W. Medici**, 1502 Tall Trees Dr., Scranton, Pa. 18505

[\*\*] Term: **14 Years**

[21] Appl. No.: **70,459**

[22] Filed: **May 8, 1997**

[51] LOC (6) Cl. .... **08-99**

[52] U.S. Cl. .... **D32/35; D4/122; 15/230.11**

[58] Field of Search ..... **D32/35, 40, 42, D32/43; D4/122, 123, 138, 199; 15/143.1, 230.11, 230; 492/13, 16, 17, 19; 118/504, DIG. 5; D8/82, 83, DIG. 7, DIG. 8; 401/197, 208, 15, 218, 220**

[56] **References Cited**

**U.S. PATENT DOCUMENTS**

D. 280,784	10/1985	De Vreeze et al. ....	D4/122
D. 321,093	10/1991	Jerecki et al. ....	D4/122
D. 336,162	6/1993	Miller ....	D4/122
D. 337,856	7/1993	Butler et al. ....	D4/122 X
2,087,888	7/1937	Adams .	
2,708,763	5/1955	Jacoby .	
2,866,995	1/1959	Evensen .	

3,386,124	6/1968	Feine .	
3,866,257	2/1975	Cansdale, Sr. ....	15/230.11
4,434,521	3/1984	Martin et al. ....	15/230.11
4,765,353	8/1988	Rhoades .	
5,095,575	3/1992	Jarecki et al. ....	15/230.1

*Primary Examiner*—Susan J. Lucas  
*Assistant Examiner*—Cynthia E. Ramirez

[57] **CLAIM**

The ornamental design for a screen cleaning head, as shown.

**DESCRIPTION**

FIG. 1 is a front elevational view of the screen cleaning head of the present invention;  
 FIG. 2 is a back elevational view of the screen cleaning head of FIG. 1;  
 FIG. 3 is a left side elevational view of the screen cleaning head of FIG. 1;  
 FIG. 4 is a right side elevational view of the screen cleaning head of FIG. 1;  
 FIG. 5 is a top plan view of the screen cleaning head of FIG. 1; and,  
 FIG. 6 is a bottom plan elevational view of the screen cleaning head of FIG. 1.

**1 Claim, 3 Drawing Sheets**

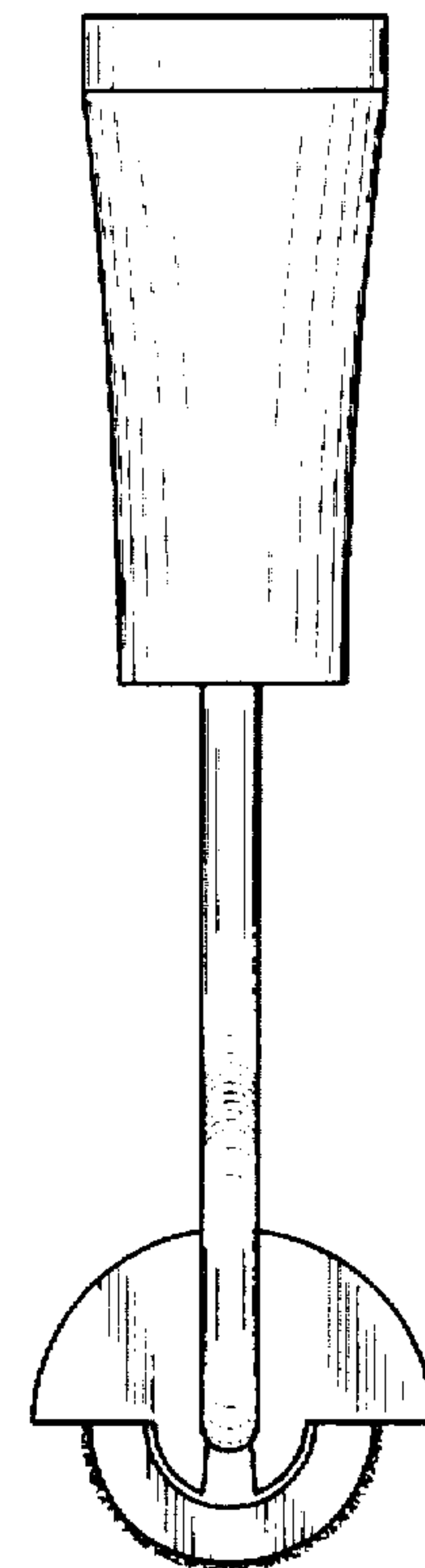
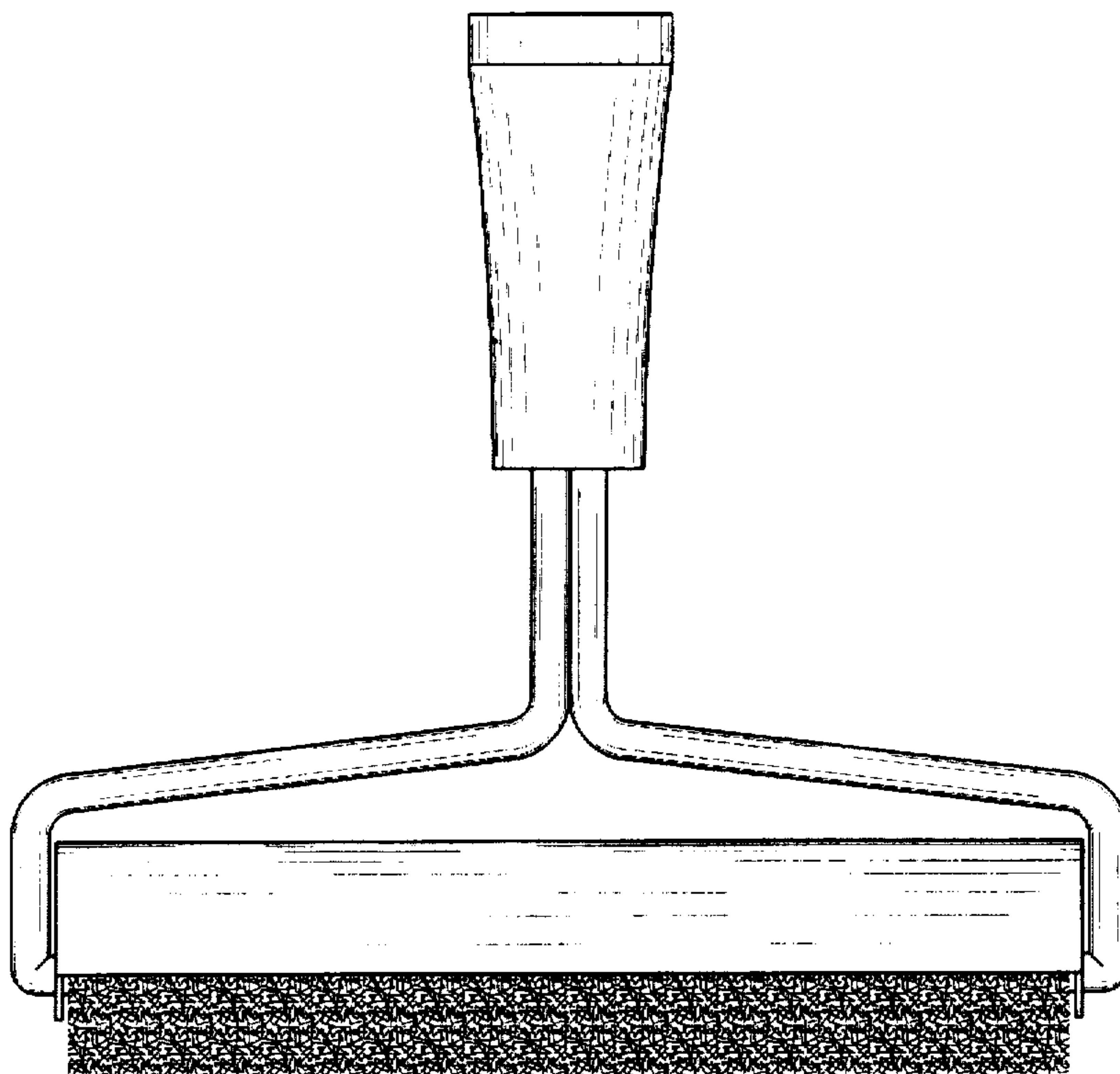


FIG. 1

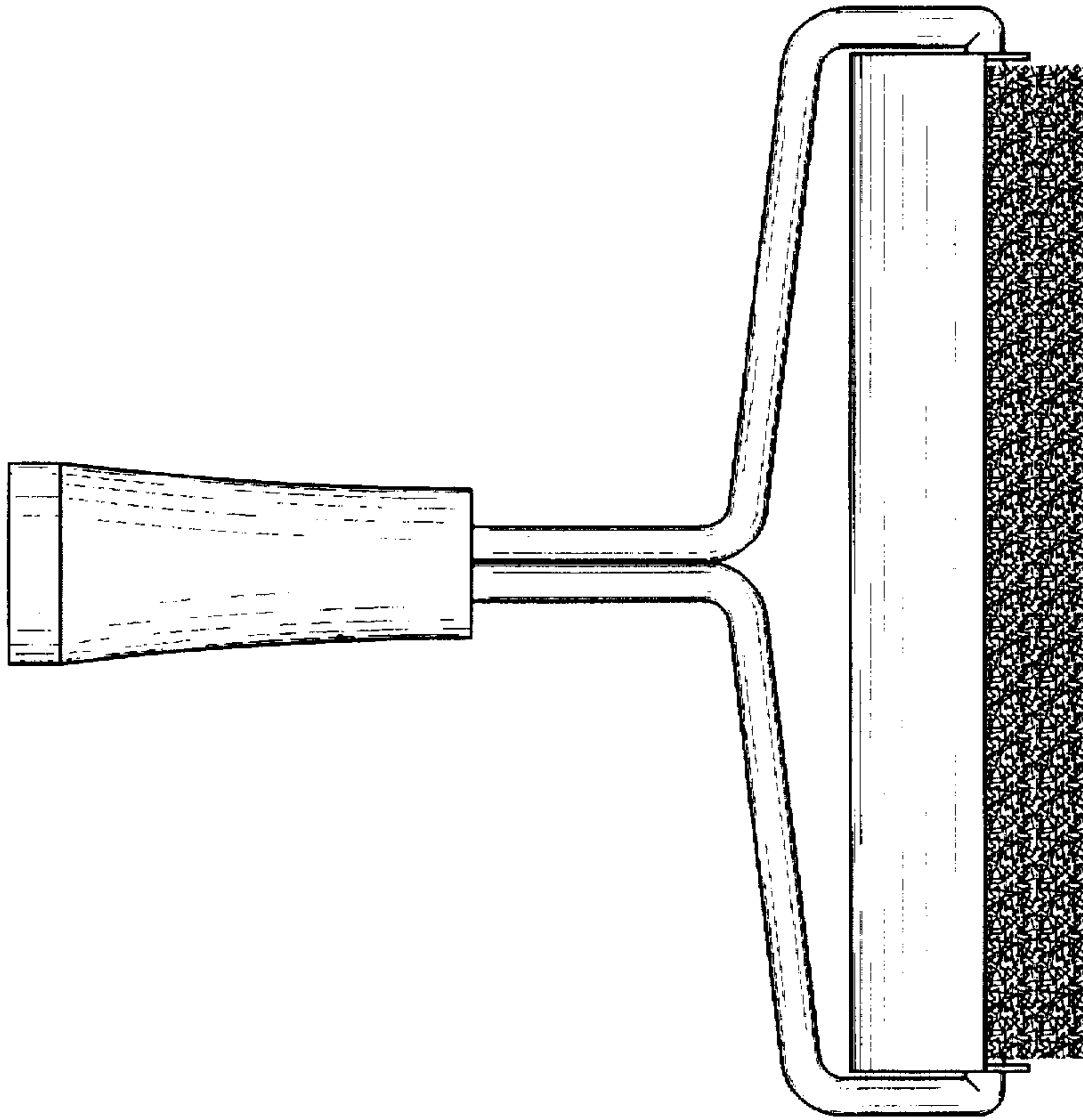
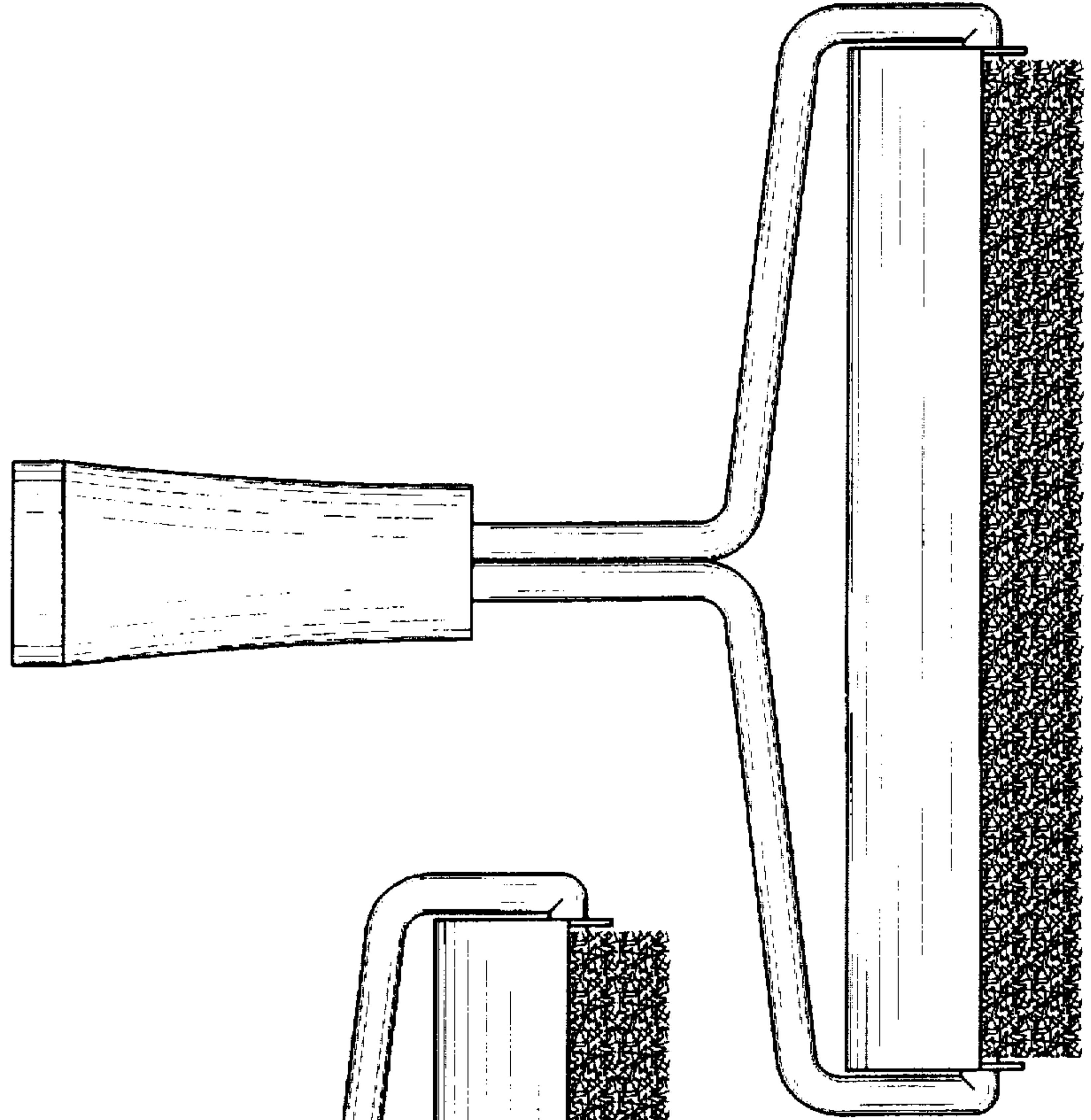
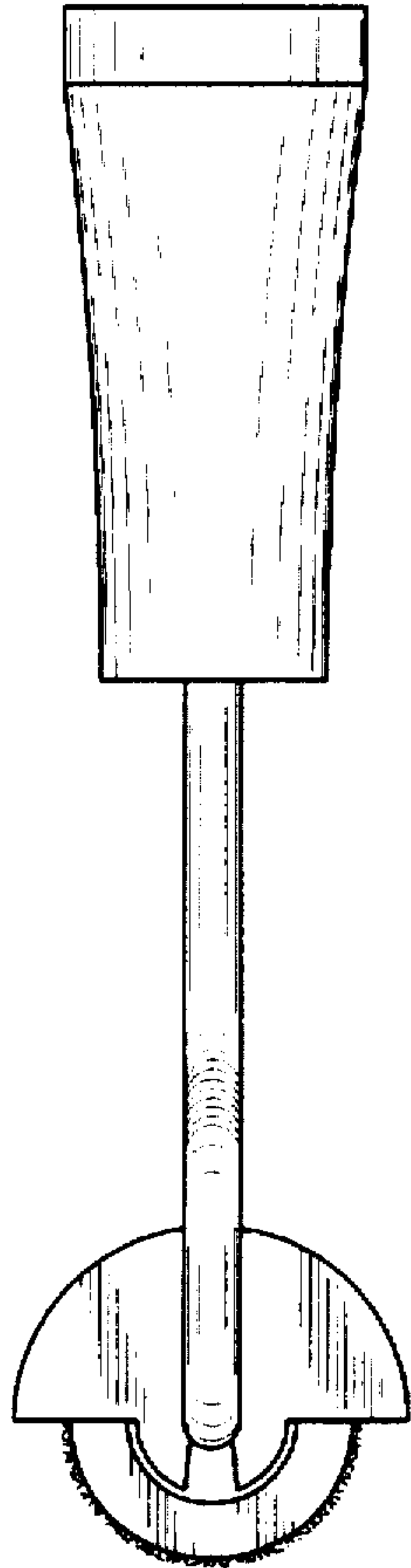


FIG. 2



*FIG. 3*



*FIG. 4*

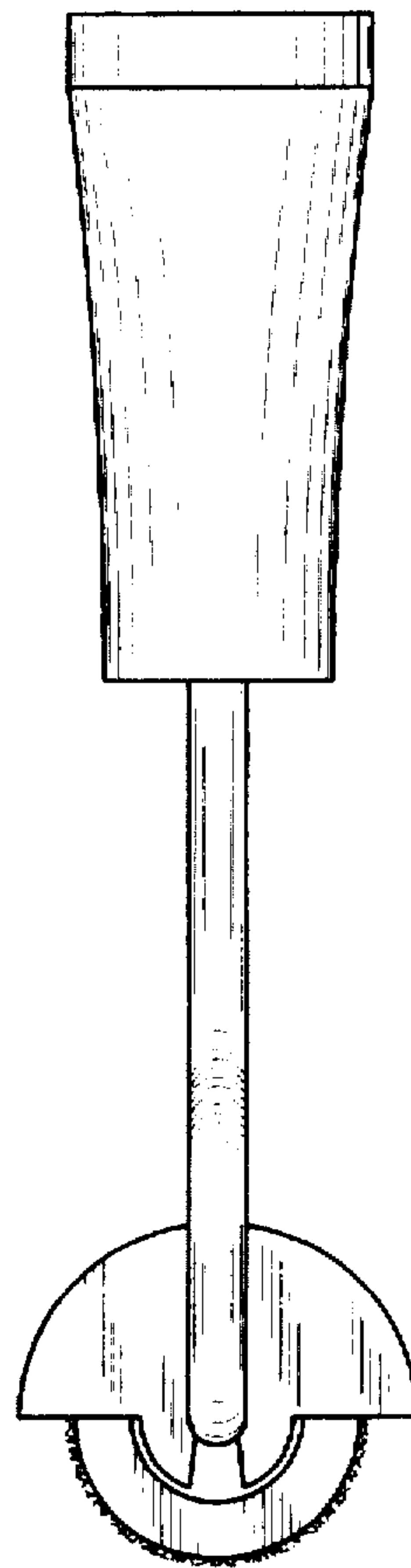


FIG. 5

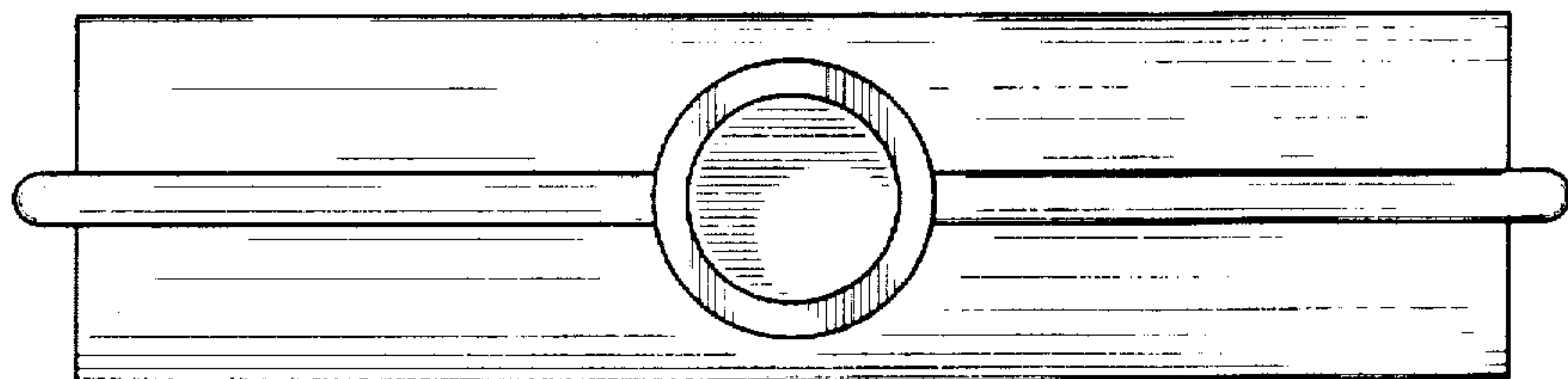


FIG. 6

