



US00D396900S

# United States Patent [19]

Bro et al.

[11] Patent Number: **Des. 396,900**

[45] Date of Patent: **\*\*Aug. 11, 1998**

[54] **TOY OFF-ROAD VEHICLE**

[75] Inventors: **Jay M. Bro, Plano; James D. Amburgey, Richardson; David A. Bradshaw, Garland, all of Tex.; Herbert C. Weiland, Rancho Palos Verde, Calif.**

[73] Assignee: **Today's Kids, Inc., Booneville, Ark.**

[\*\*] Term: **14 Years**

[21] Appl. No.: **66,100**

[22] Filed: **Feb. 6, 1997**

[51] LOC (6) Cl. .... **21-01**

[52] U.S. Cl. .... **D21/78**

[58] Field of Search ..... D21/71-81, 128, D21/131, 132-141; D12/82, 86, 87, 88; 446/424-427, 433, 440, 454-457, 462, 465, 470; 280/1.13, 828, 87.01, 87.021, 47.11

[56] **References Cited**

**U.S. PATENT DOCUMENTS**

- D. 277,494 2/1985 Lerch ..... D21/134
- D. 285,466 9/1986 Ohno ..... D21/136
- D. 292,425 10/1987 Lim ..... D21/136

- D. 295,304 4/1988 Shibukawa ..... D21/136
- D. 299,666 1/1989 Harrod ..... D21/134
- D. 310,111 8/1990 Revell et al. .... D21/136
- D. 339,175 9/1993 Li ..... D21/76
- D. 377,956 2/1997 Chuang ..... D21/137
- 4,895,542 1/1990 De Blantz ..... 446/427

**OTHER PUBLICATIONS**

Vehicle at upper left of page Toys "R" Us catalog p. 52, 1993.

*Primary Examiner*—Raphael Barkai  
*Attorney, Agent, or Firm*—Kirkpatrick & Lockhart LLP

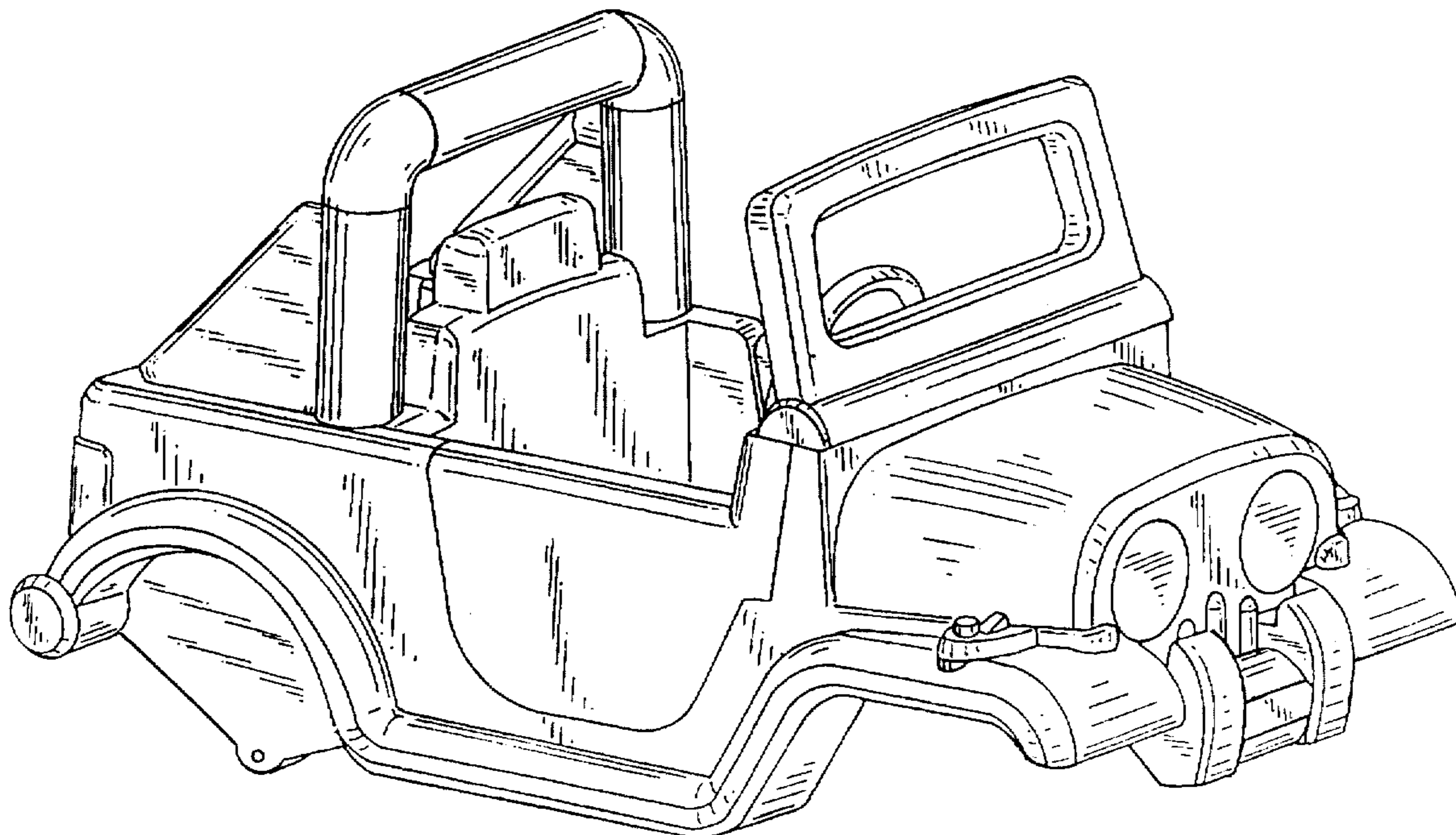
[57] **CLAIM**

The ornamental design for toy off-road vehicle, as shown and described.

**DESCRIPTION**

FIG. 1 is a perspective view of a toy off-road vehicle showing our new design;  
FIG. 2 is a front view thereof;  
FIG. 3 is a rear view thereof;  
FIG. 4 is a right side elevational view thereof;  
FIG. 5 is a left side elevational view thereof;  
FIG. 6 is a top view thereof; and,  
FIG. 7 is a bottom view thereof.

**1 Claim, 7 Drawing Sheets**



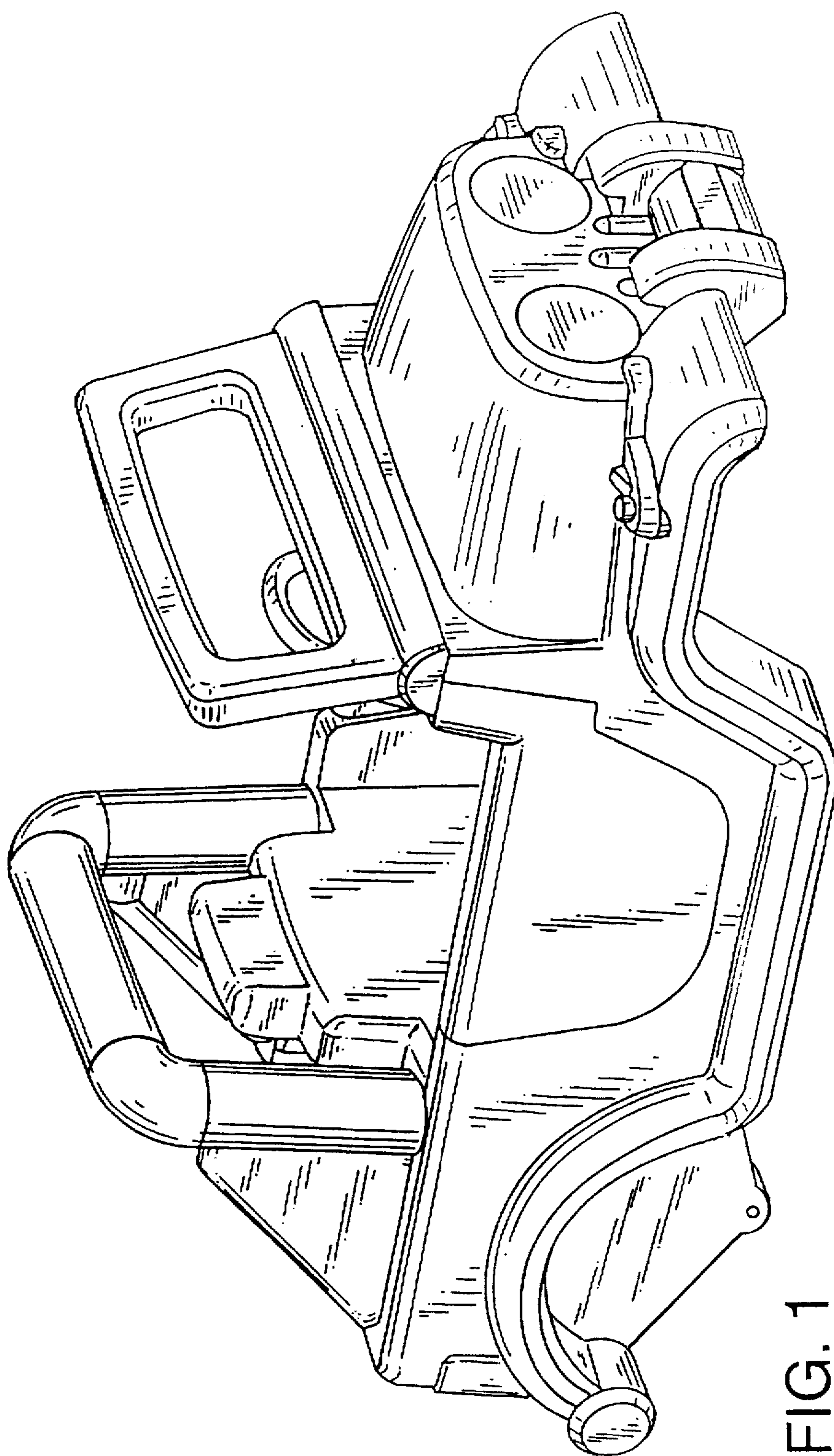


FIG. 1

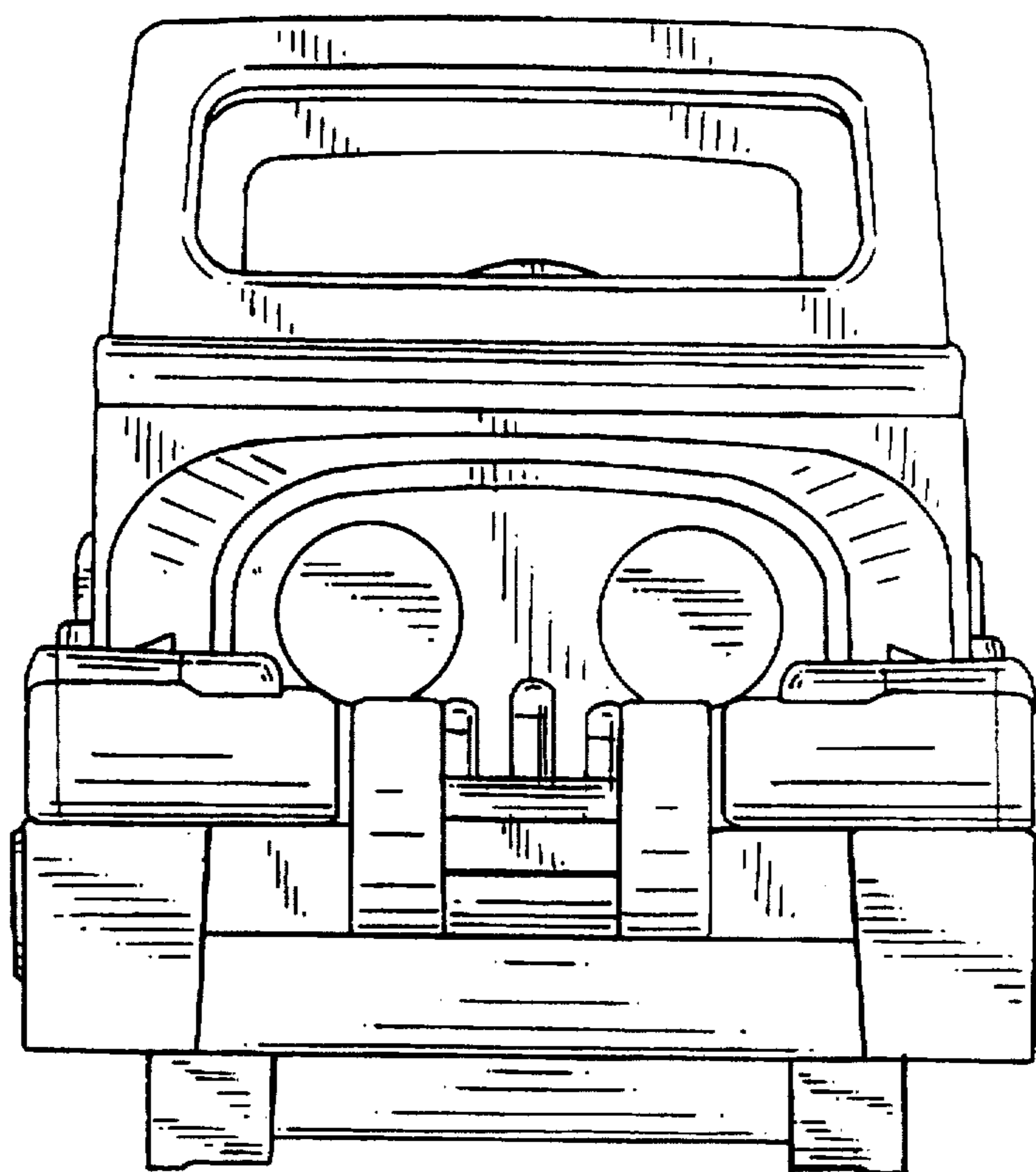


FIG. 2

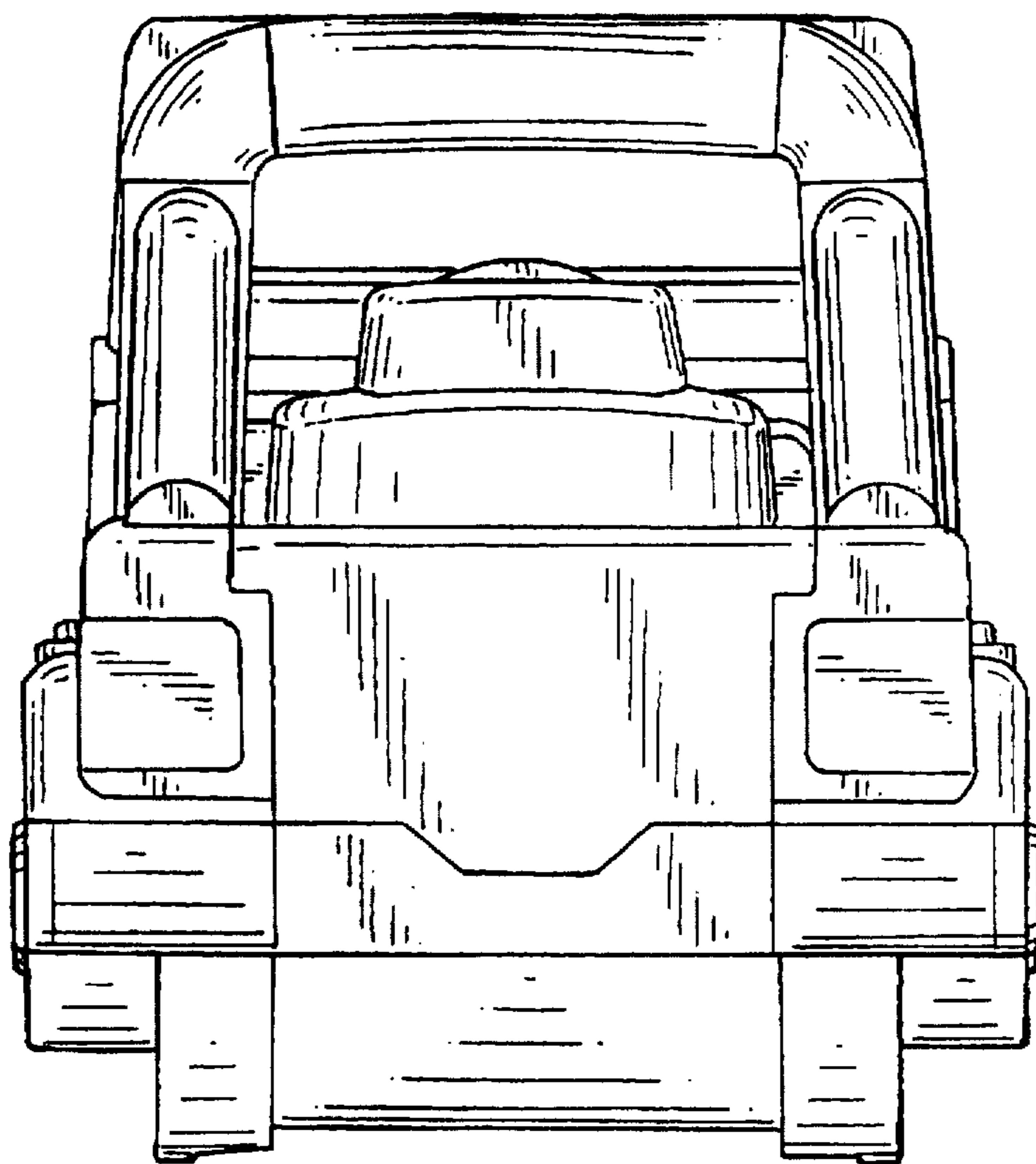


FIG. 3

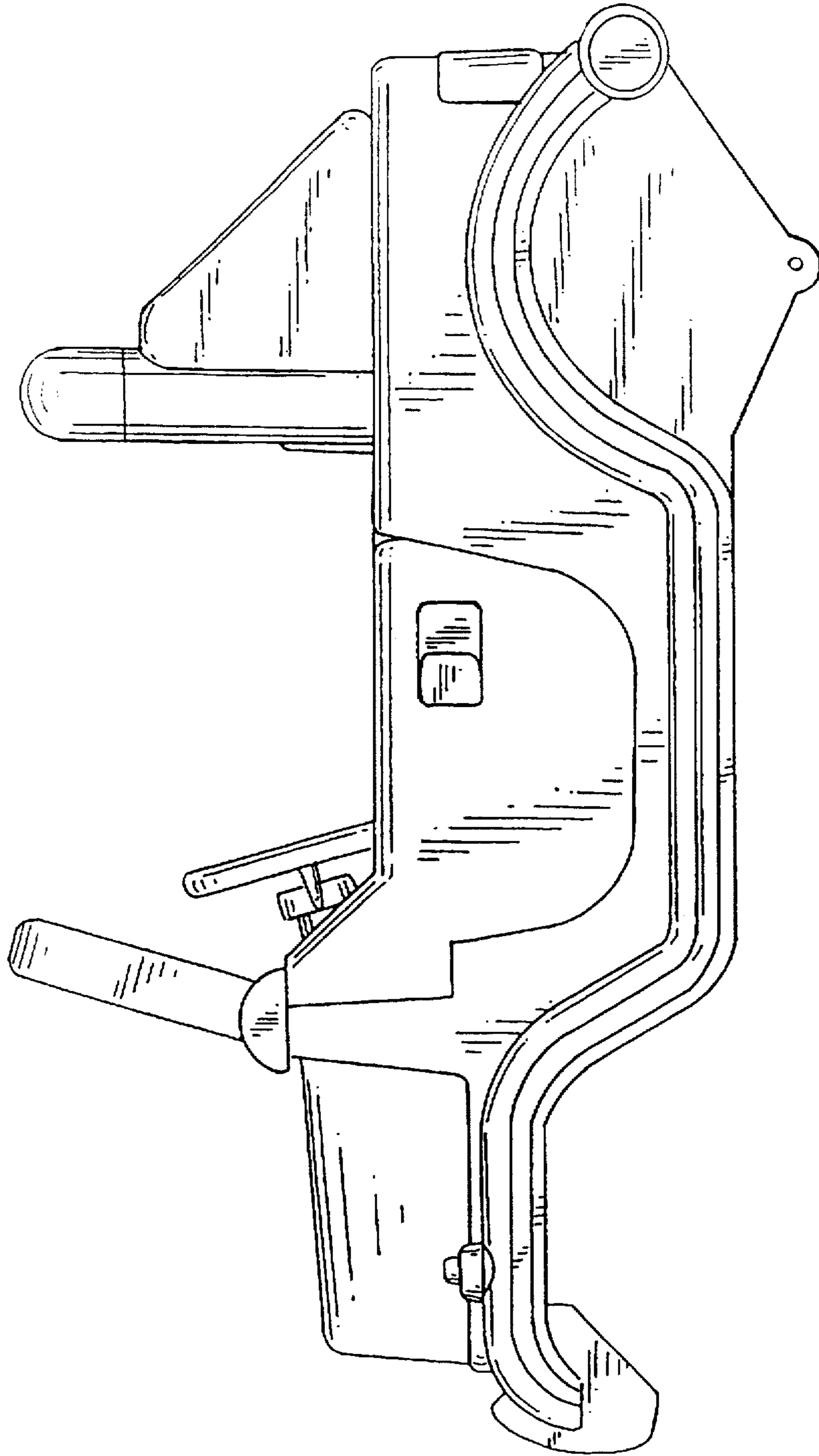


FIG. 4

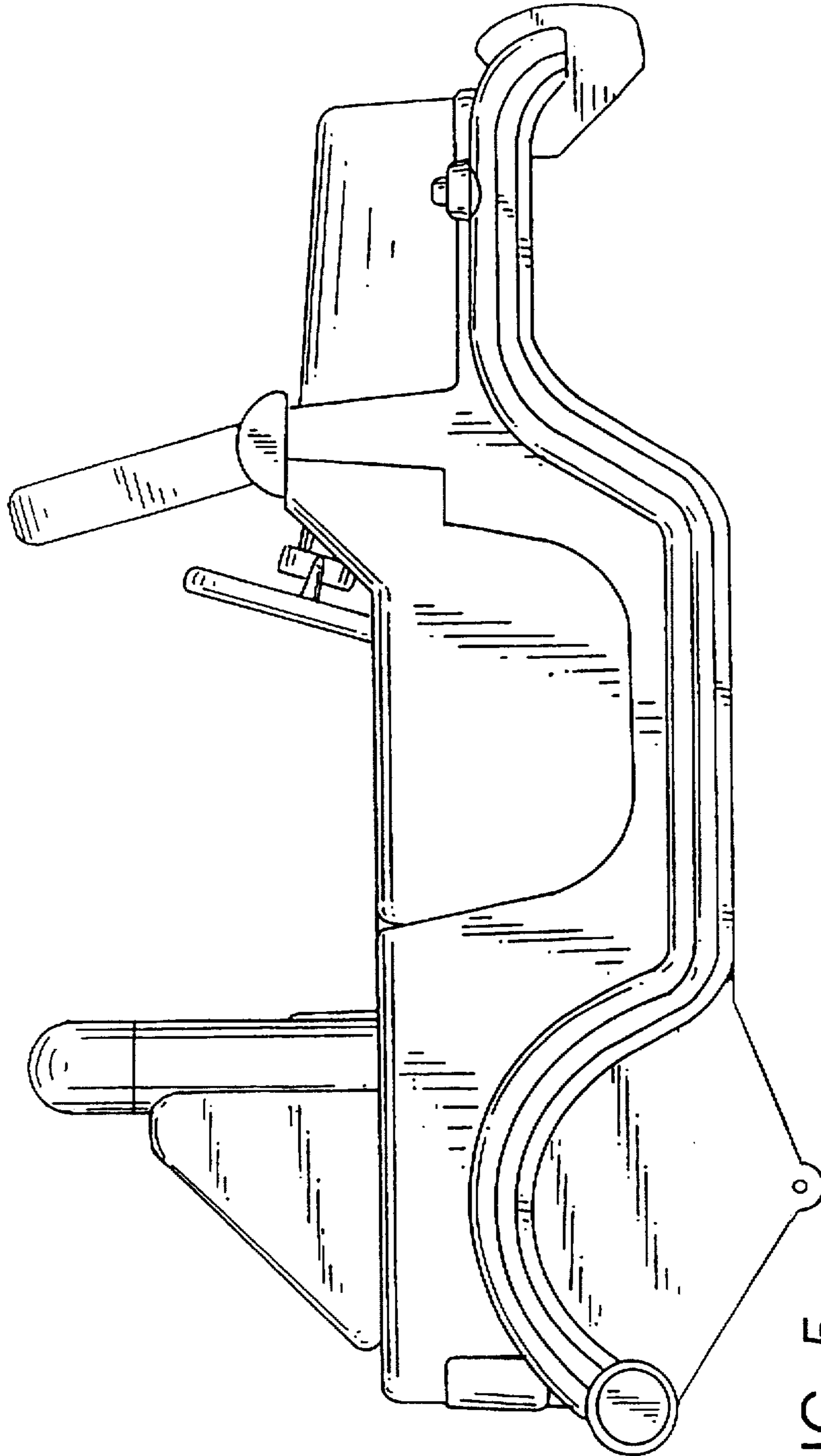


FIG. 5

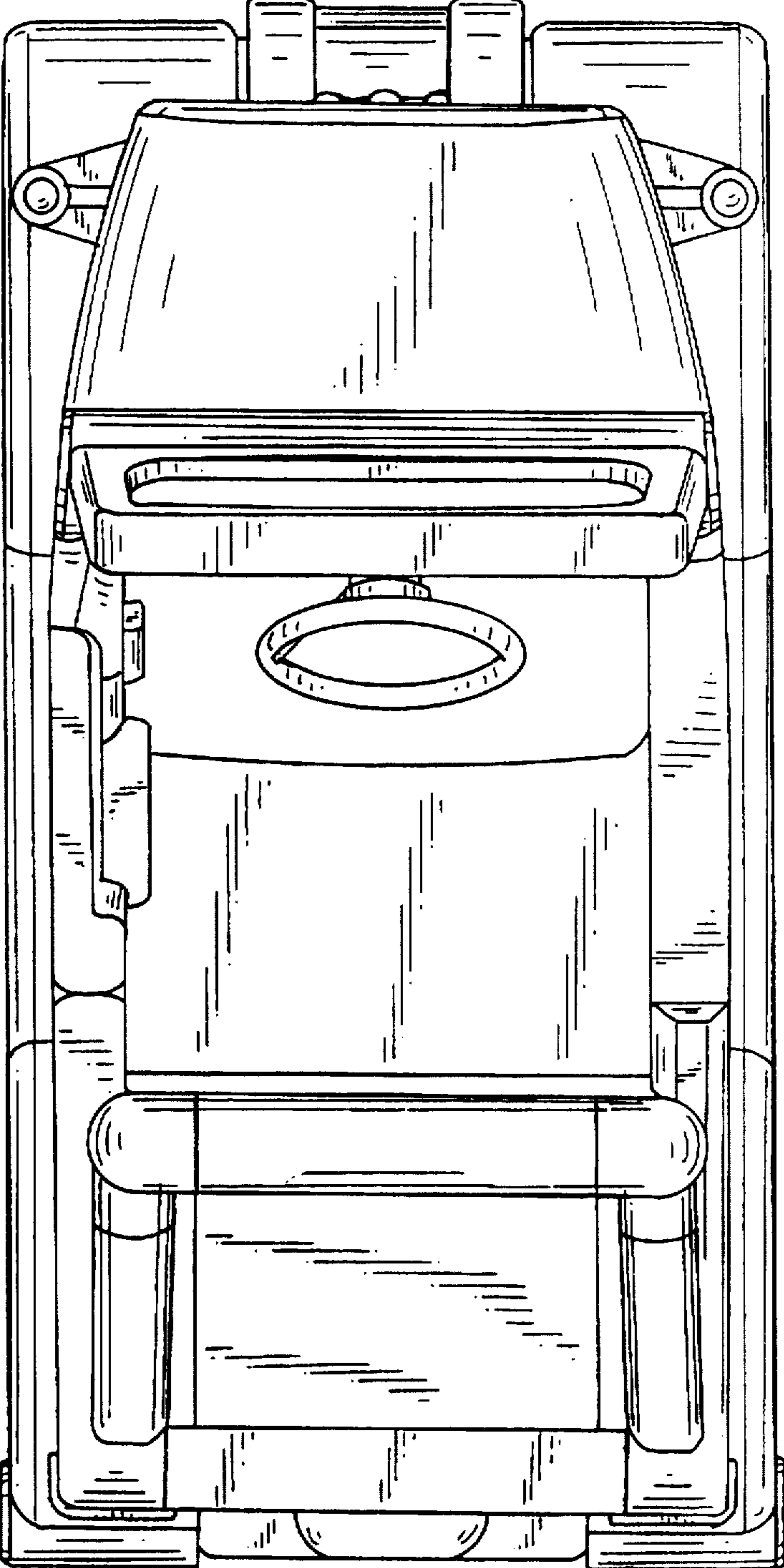


FIG. 6

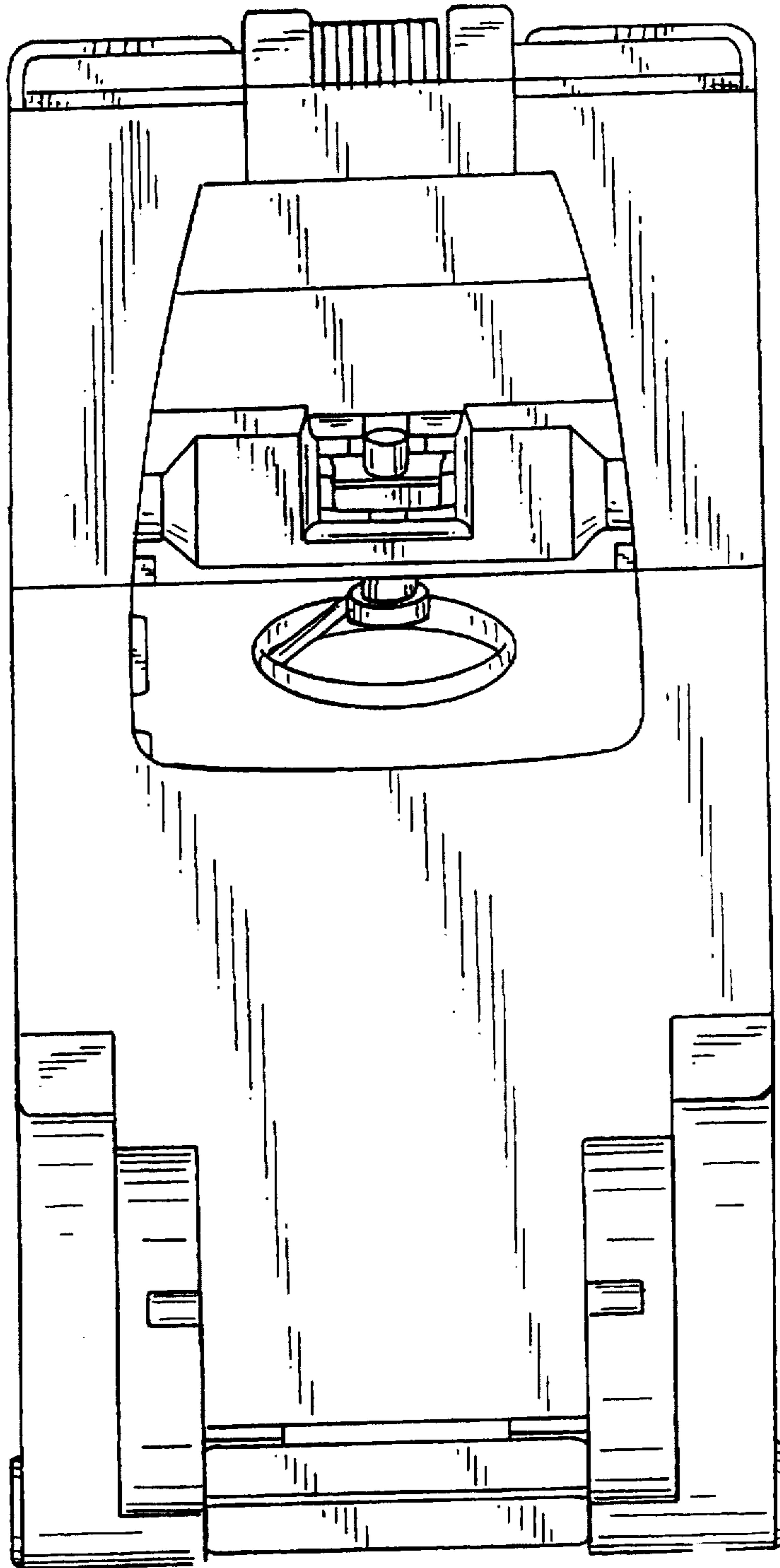


FIG. 7