



US00D396899S

United States Patent [19]

Kaneko et al.

[11] Patent Number: Des. 396,899

[45] Date of Patent: **Aug. 11, 1998

[54] JOYSTICK

5,558,329 9/1996 Liu 463/38 X

[75] Inventors: Steven T. Kaneko, Seattle, Wash.;
Jonathan A. Hayes, Belmont, Mass.;
Christopher Alviar, Seattle, Wash.

[73] Assignee: Microsoft Corporation, Redmond,
Wash.

[**] Term: 14 Years

[21] Appl. No.: 65,587

[22] Filed: Jan. 30, 1997

[51] LOC (6) Cl. 21-01

[52] U.S. Cl. D21/48; D14/114

[58] Field of Search D21/1, 13, 48;
D14/114, 217; D13/158; 273/148 B; 463/1,
30, 36-39, 46, 47; 346/156, 161, 905; 200/5 R,
5 A, 6 R, 6 A

[56] References Cited

U.S. PATENT DOCUMENTS

D. 362,244	9/1995	Takemasa	D14/114
D. 366,475	1/1996	Sanchez et al.	D14/114
D. 366,911	2/1996	Hsieh	D21/48
D. 372,053	7/1996	Couch et al.	D21/48
D. 372,470	8/1996	Hsien	D14/114
4,491,325	1/1985	Bersheim	463/38
4,509,383	4/1985	Yeh	463/38 X
4,658,666	4/1987	Liu	463/38

OTHER PUBLICATIONS

Hong Kong Enterprise, Oct. 1990, p. 813.

Hong Kong Electronics, 1985, p. 9.

Primary Examiner—Prabhakar G. Deshmukh
Attorney, Agent, or Firm—Ronald M. Anderson

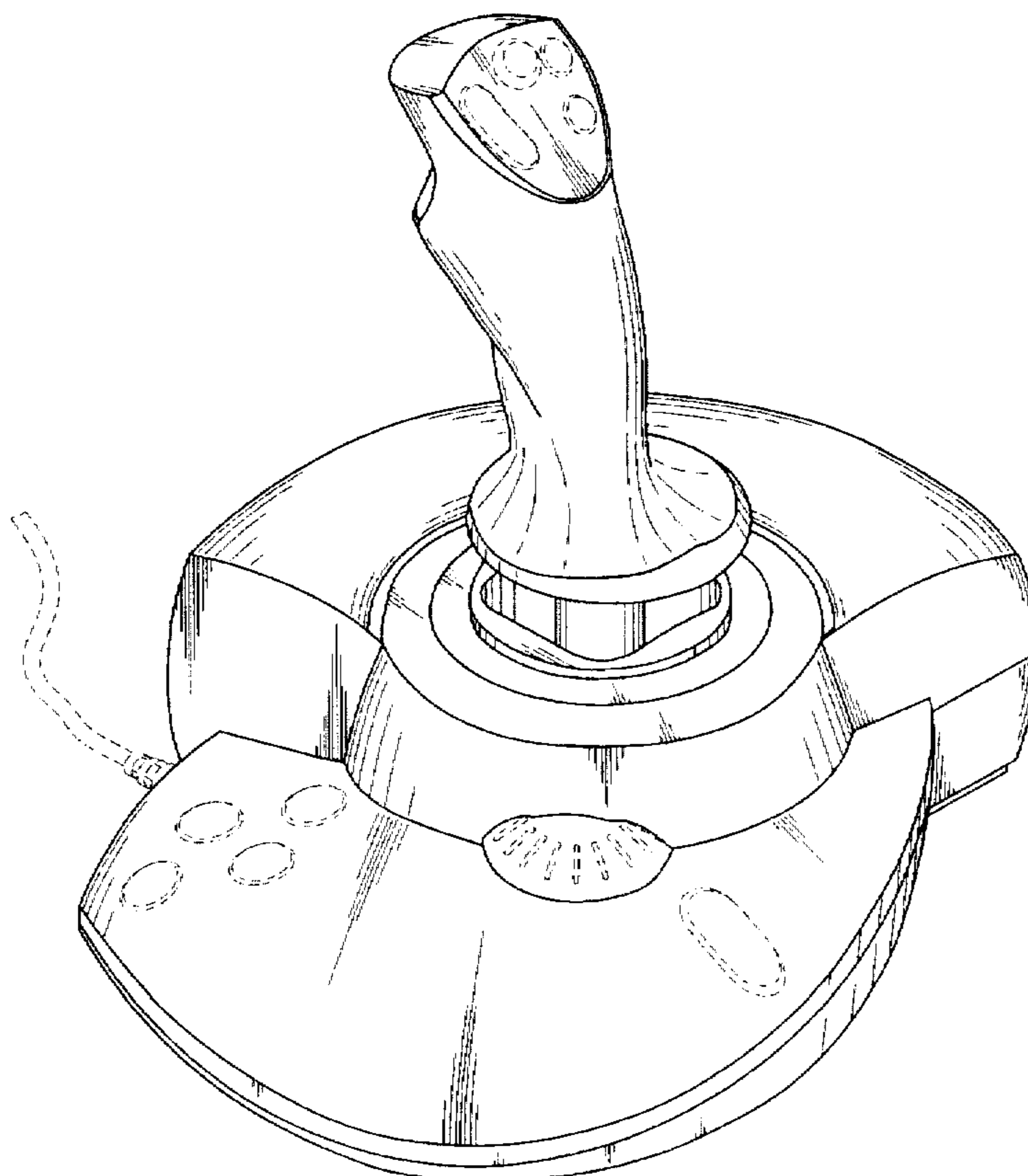
[57] CLAIM

The ornamental design for a joystick, as shown and described.

DESCRIPTION

FIG. 1 is a perspective view of a preferred embodiment of a joystick illustrating the ornamental design; FIG. 2 is a rear elevational view of the preferred embodiment; FIG. 3 is a front elevational view of the preferred embodiment; FIG. 4 is a side elevational view of one side of the preferred embodiment; FIG. 5 is a side elevational view of the other side of the preferred embodiment; FIG. 6 is a plan view of the preferred embodiment; and, FIG. 7 is a bottom view of the preferred embodiment. The broken line showing of various electronic elements and connector is for illustrative purpose only and forms no part of the claim.

1 Claim, 7 Drawing Sheets



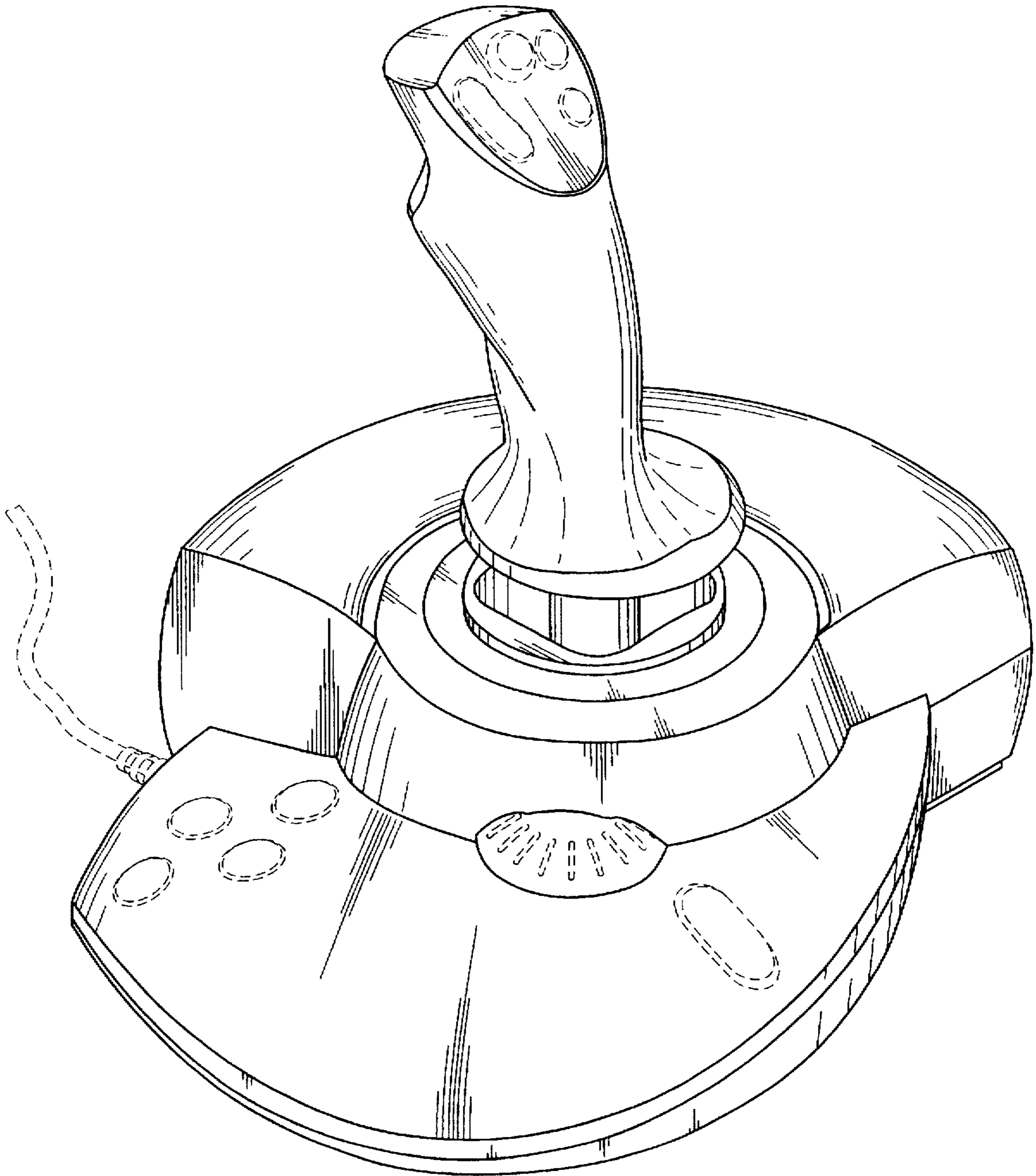


Fig. 1

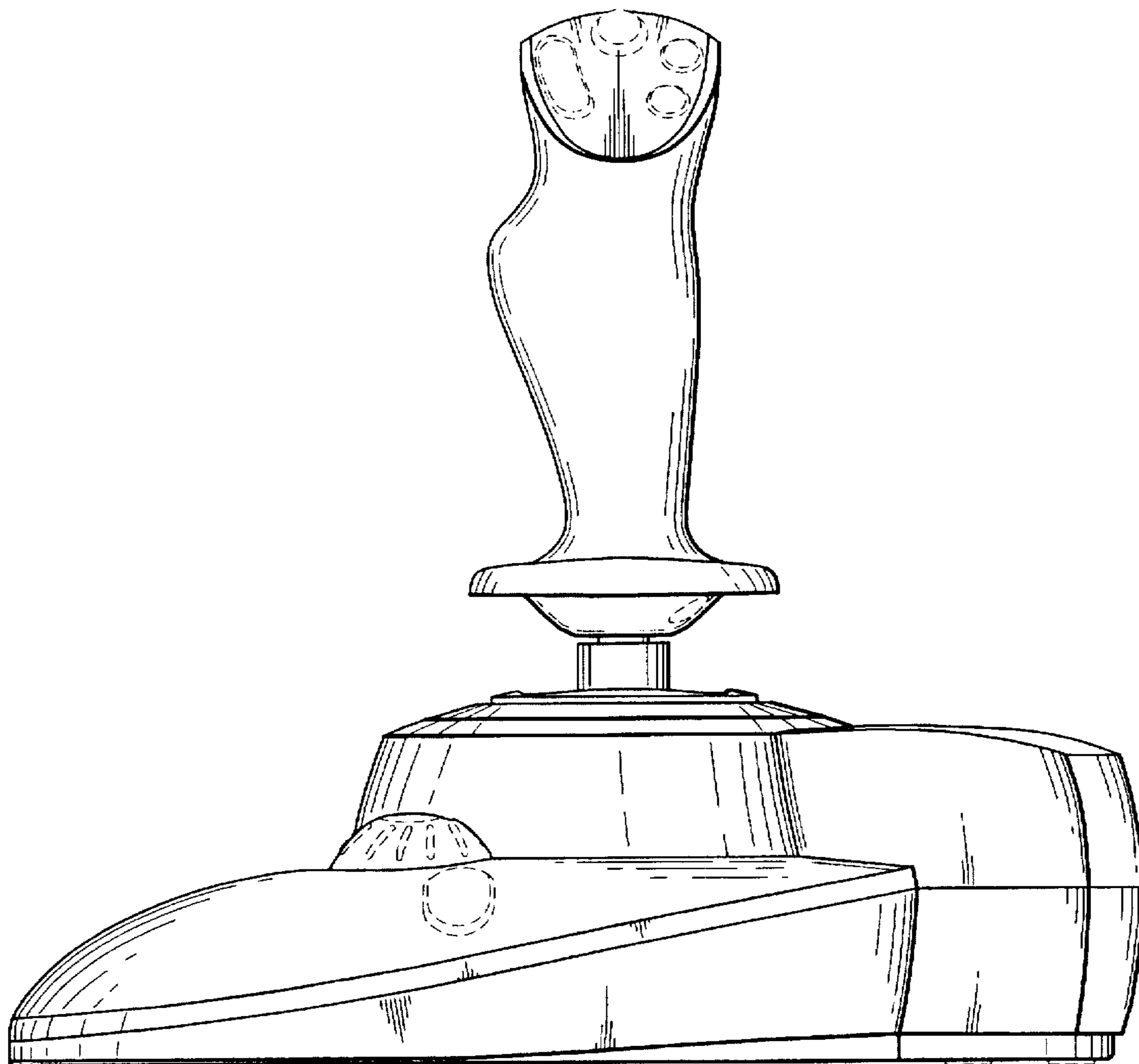


Fig. 2

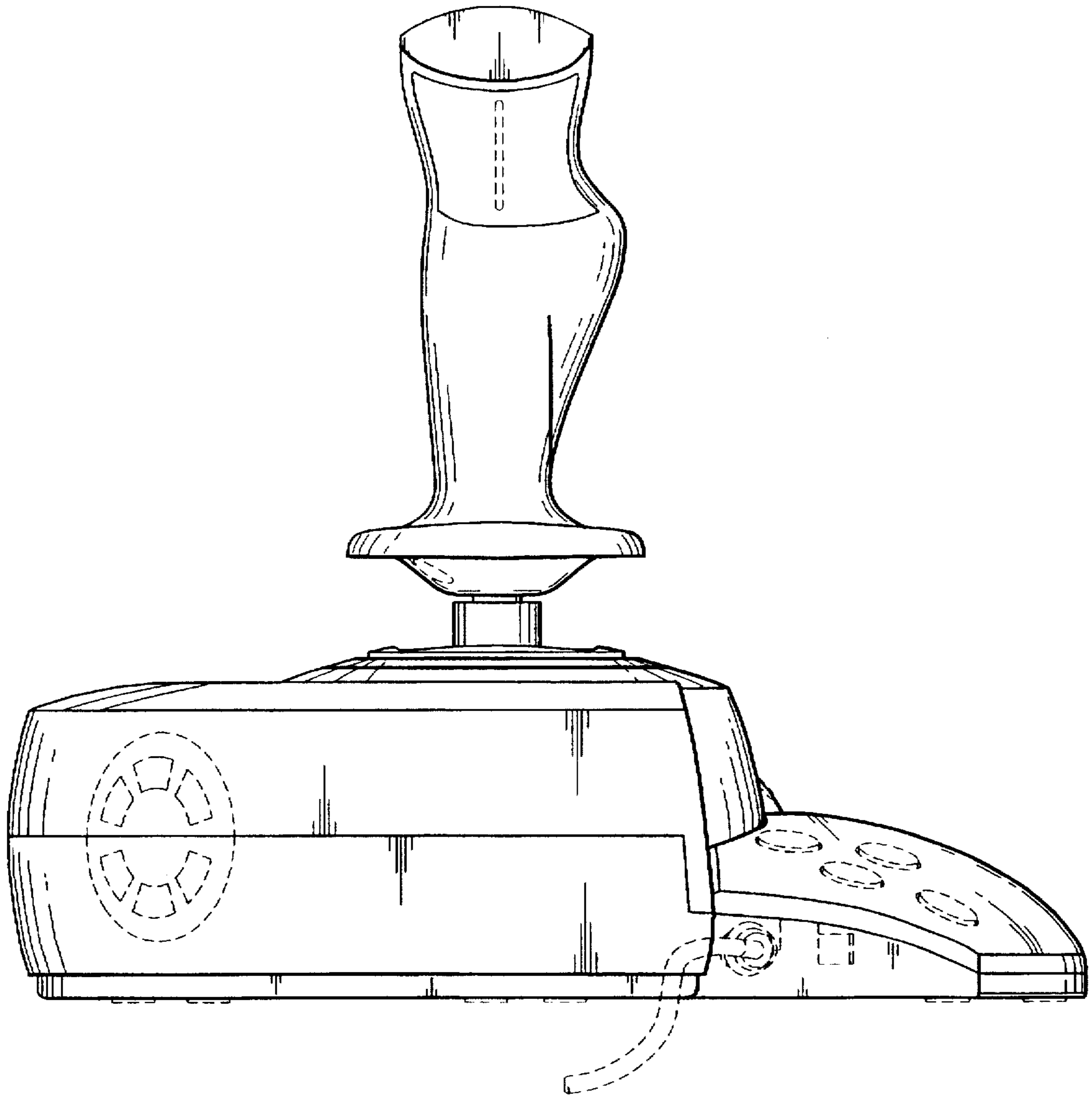


Fig. 3

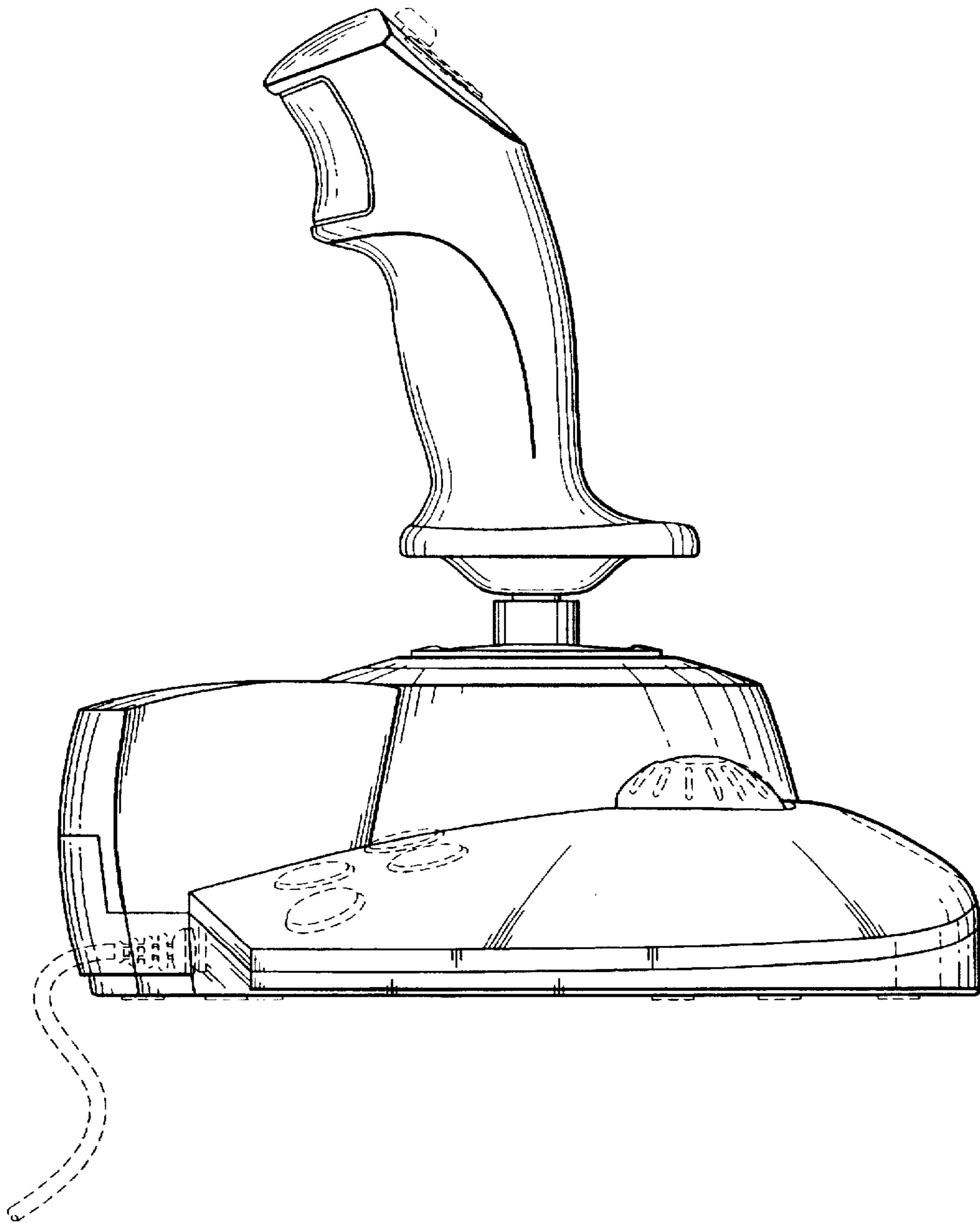


Fig. 4

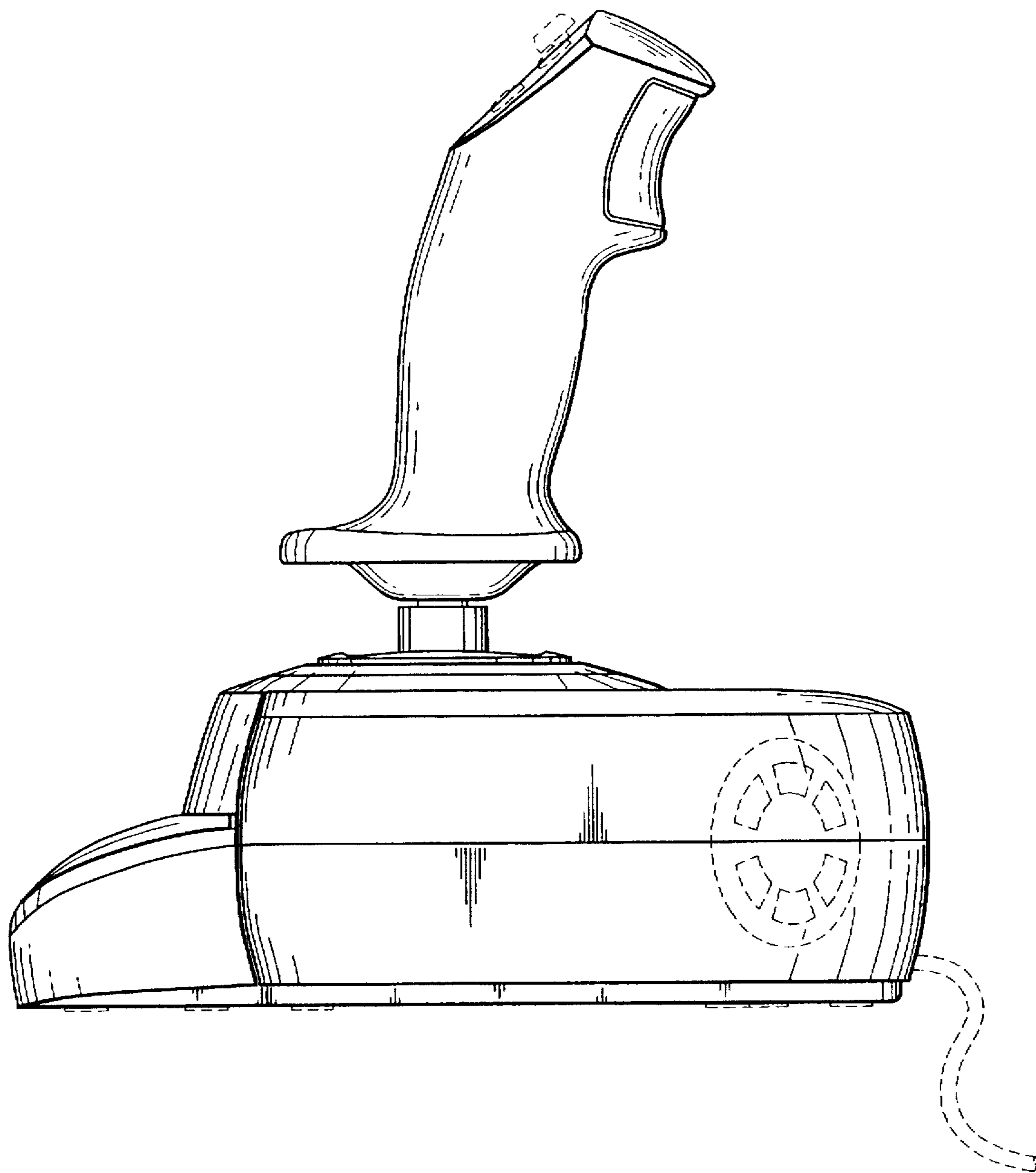


Fig. 5

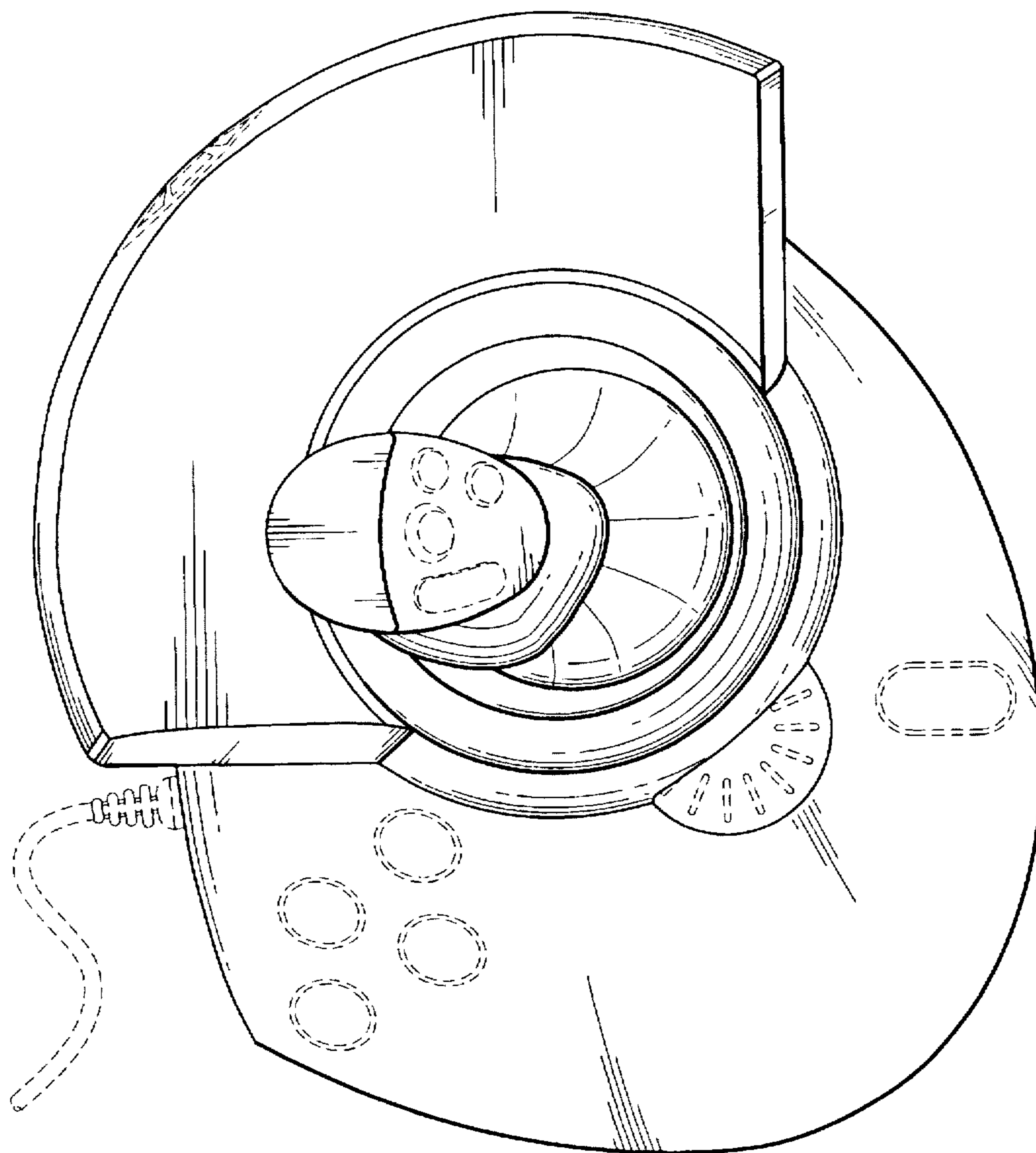


Fig. 6

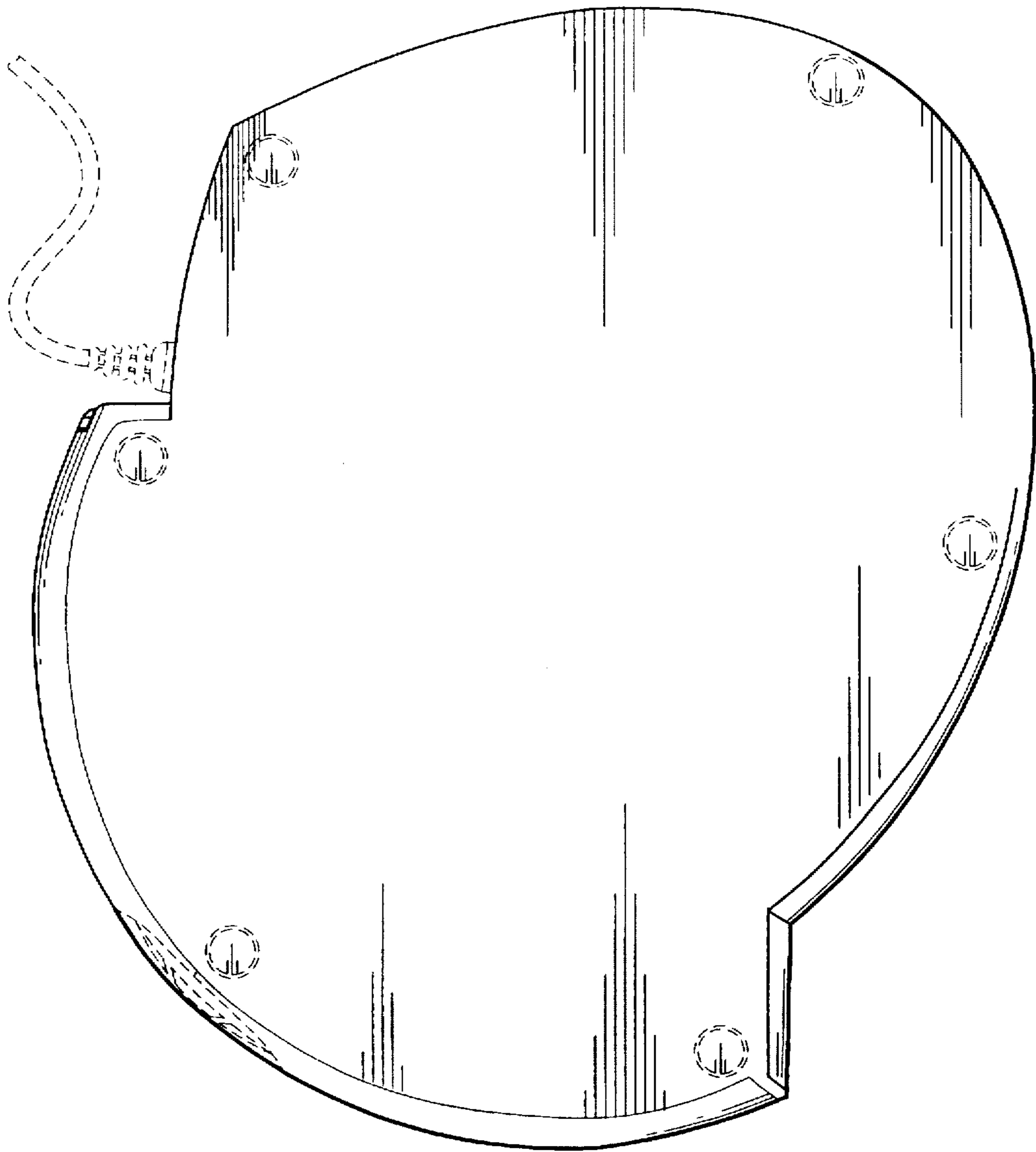


Fig. 7