



US00D396898S

United States Patent [19]

Tsuda

[11] **Patent Number: Des. 396,898**

[45] **Date of Patent: **Aug. 11, 1998**

[54] **SIMULATION GAME MACHINE**

4,960,117 10/1990 Moncrief et al. 463/46
5,320,351 6/1994 Suzuki 468/33 X

[75] **Inventor: Kimio Tsuda, Tokyo, Japan**

OTHER PUBLICATIONS

[73] **Assignee: Sega Enterprises, Ltd., Japan**

Vending Time, May 1979, p. 76.

[**] **Term: 14 Years**

Jet Wave Simulation Game Machine by Konami, p. 134, Apr. 1996.

[21] **Appl. No.: 74,662**

Primary Examiner—Prabhakar G. Deshmukh
Attorney, Agent, or Firm—Ladas & Parry

[22] **Filed: Aug. 7, 1997**

[57] CLAIM

[30] Foreign Application Priority Data

Feb. 12, 1997 [JP] Japan 9-3893

The ornamental design for a simulation game machine, as shown and described.

[51] **LOC (6) Cl. 21-01**

DESCRIPTION

[52] **U.S. Cl. D21/13**

[58] **Field of Search D21/1, 13, 48, D21/240; 463/30-37, 46-52; 273/148 B**

FIG. 1 is a perspective view of a simulation game machine showing my new design;

FIG. 2 is a front view thereof;

FIG. 3 is a rear view thereof;

FIG. 4 is a top view thereof;

FIG. 5 is a bottom view thereof;

FIG. 6 is a left side view thereof; and,

FIG. 7 is a right side view thereof.

[56] References Cited

U.S. PATENT DOCUMENTS

- D. 318,073 7/1991 Jane D21/13
- D. 360,901 8/1995 Slater D21/13
- D. 364,755 12/1995 Suarez D21/13 X
- D. 373,809 9/1996 Hirato D21/13 X
- D. 376,391 12/1996 Okumura D21/13

1 Claim, 4 Drawing Sheets

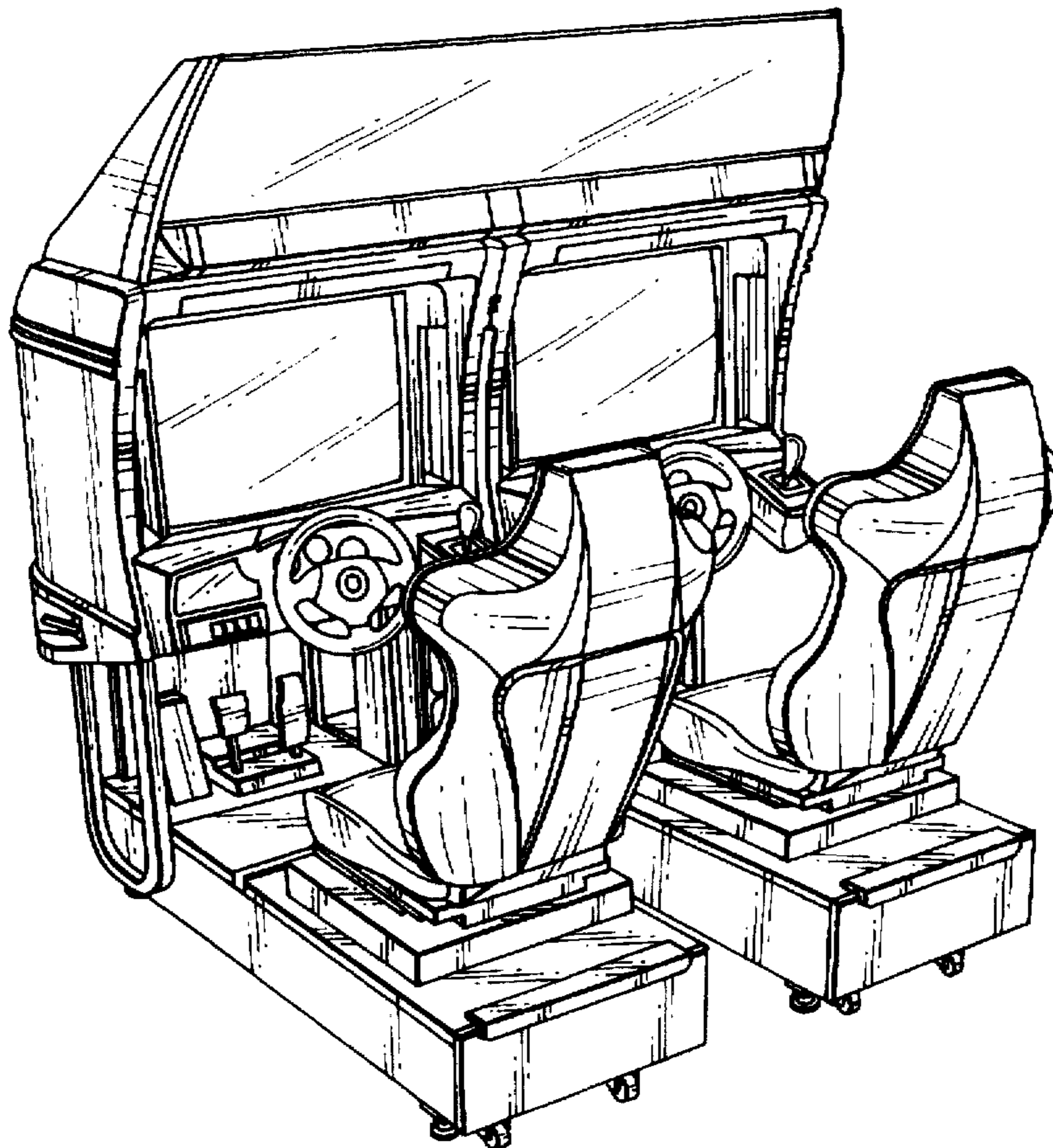


FIG. 1

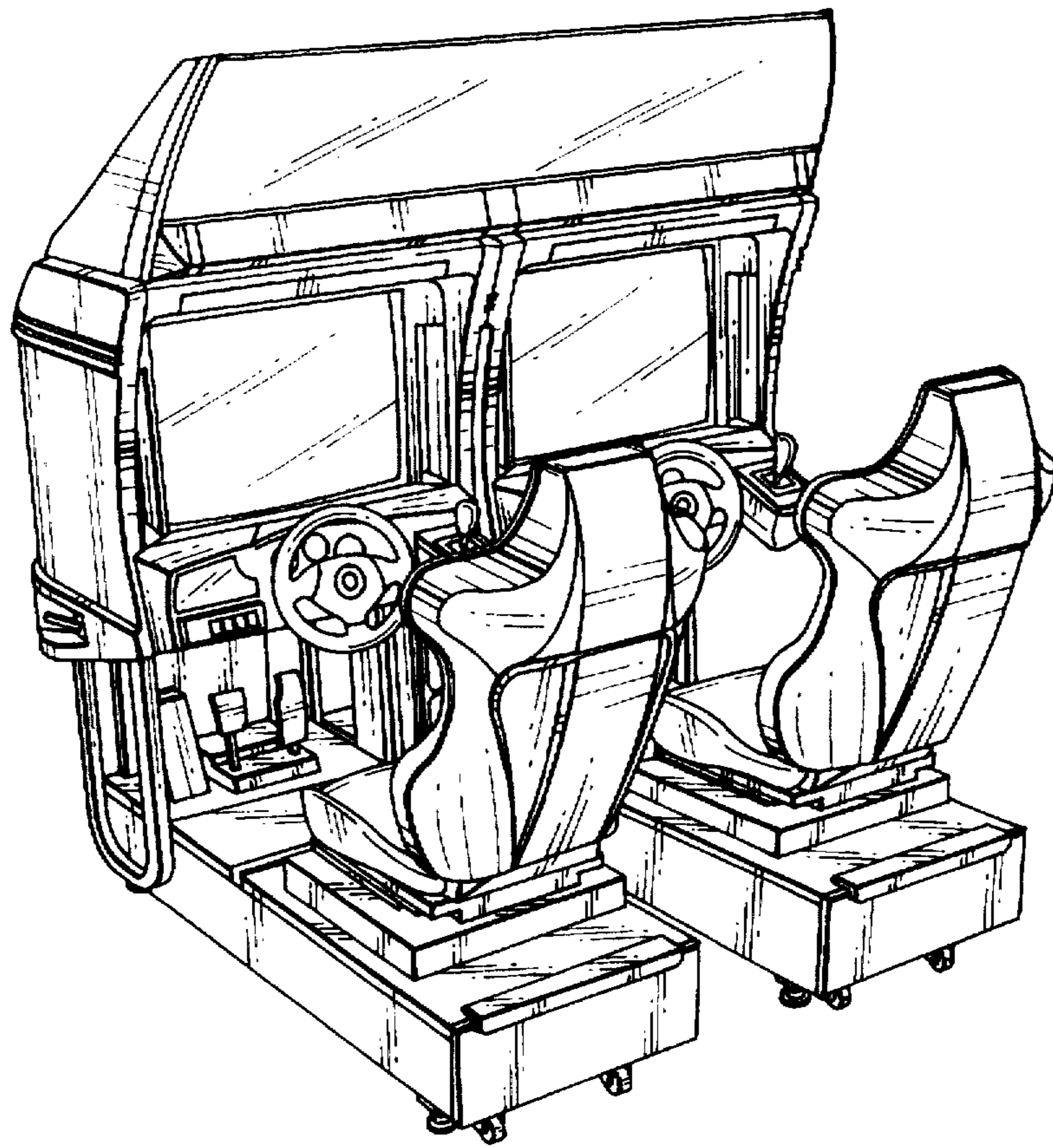


FIG. 2

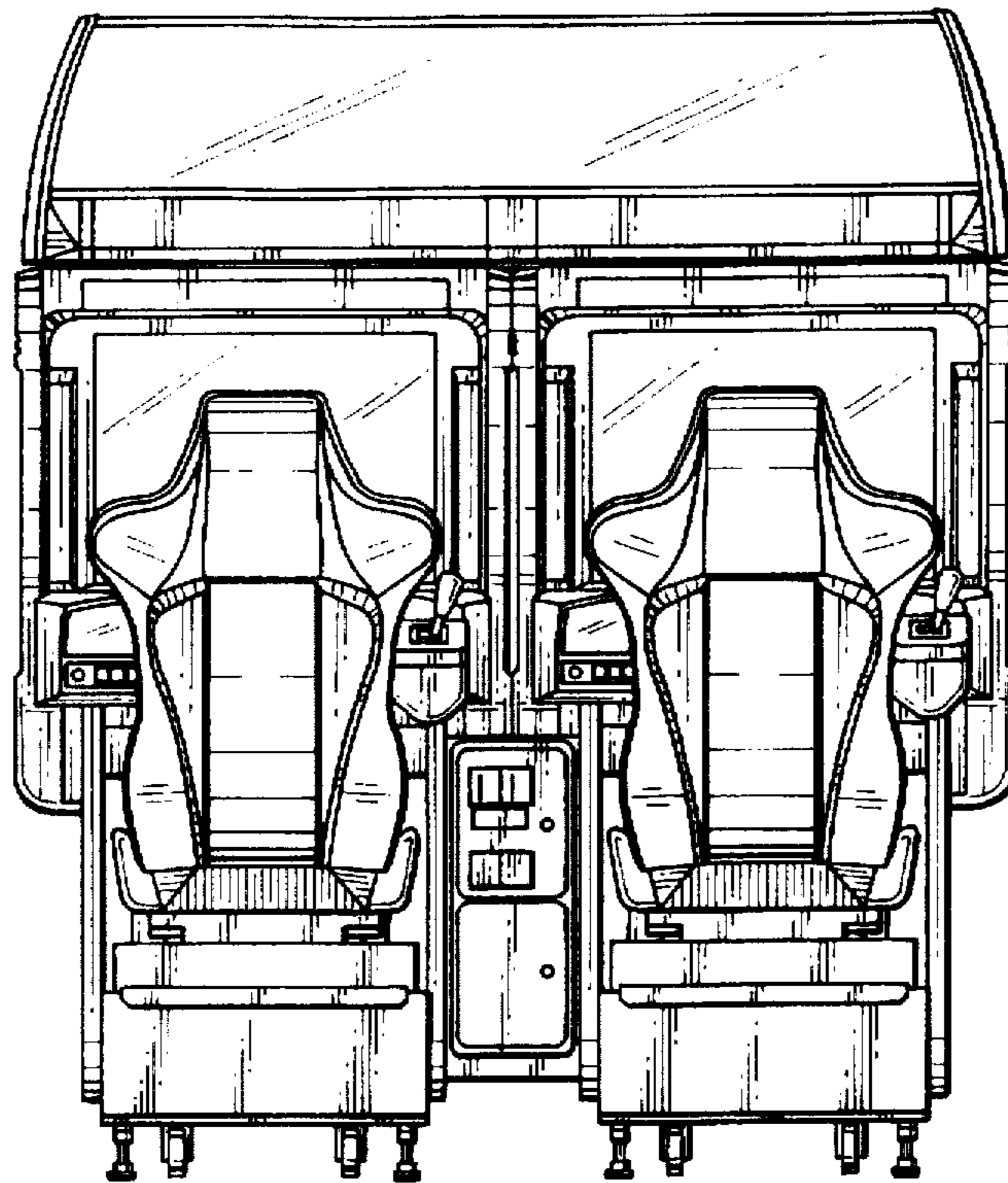


FIG. 3

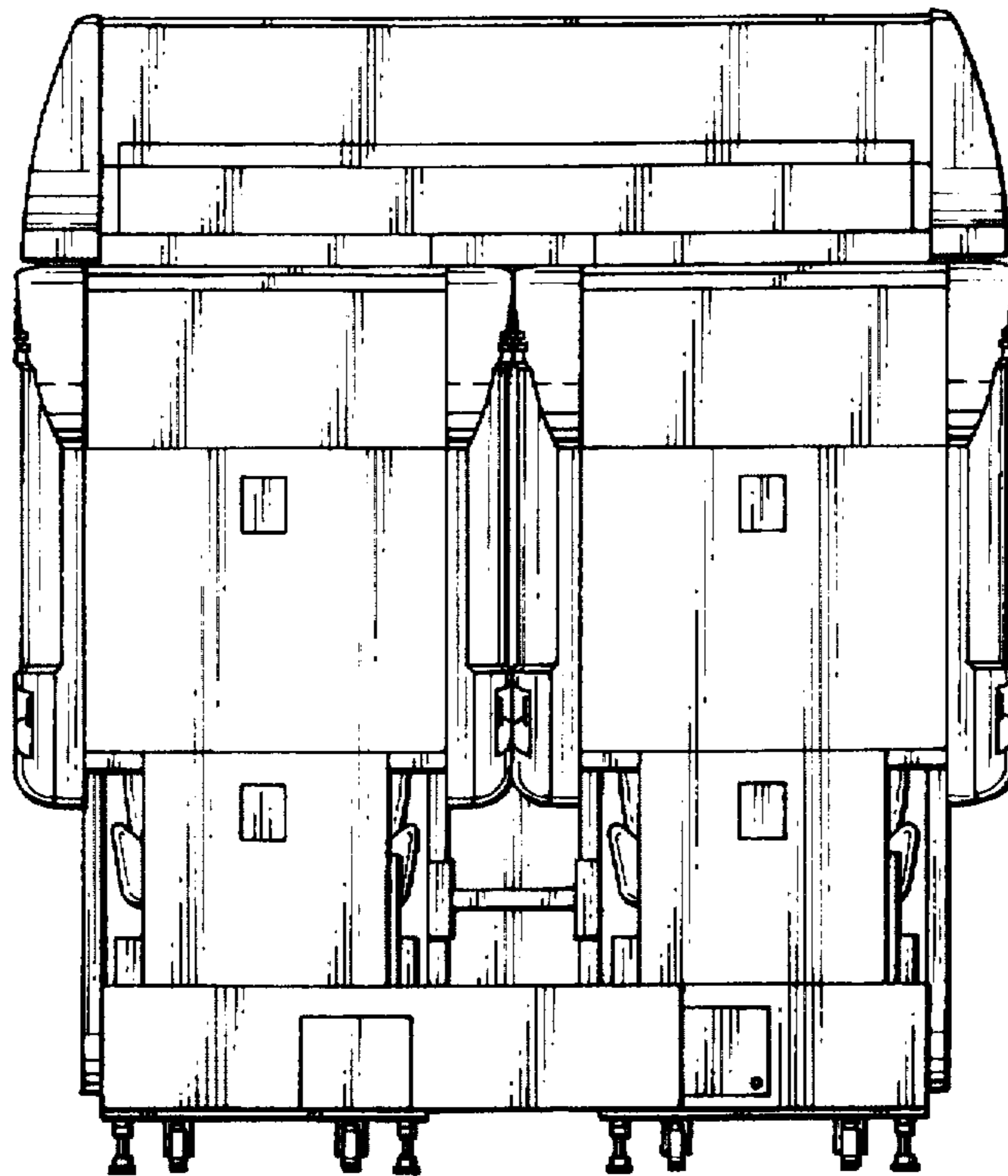


FIG. 4

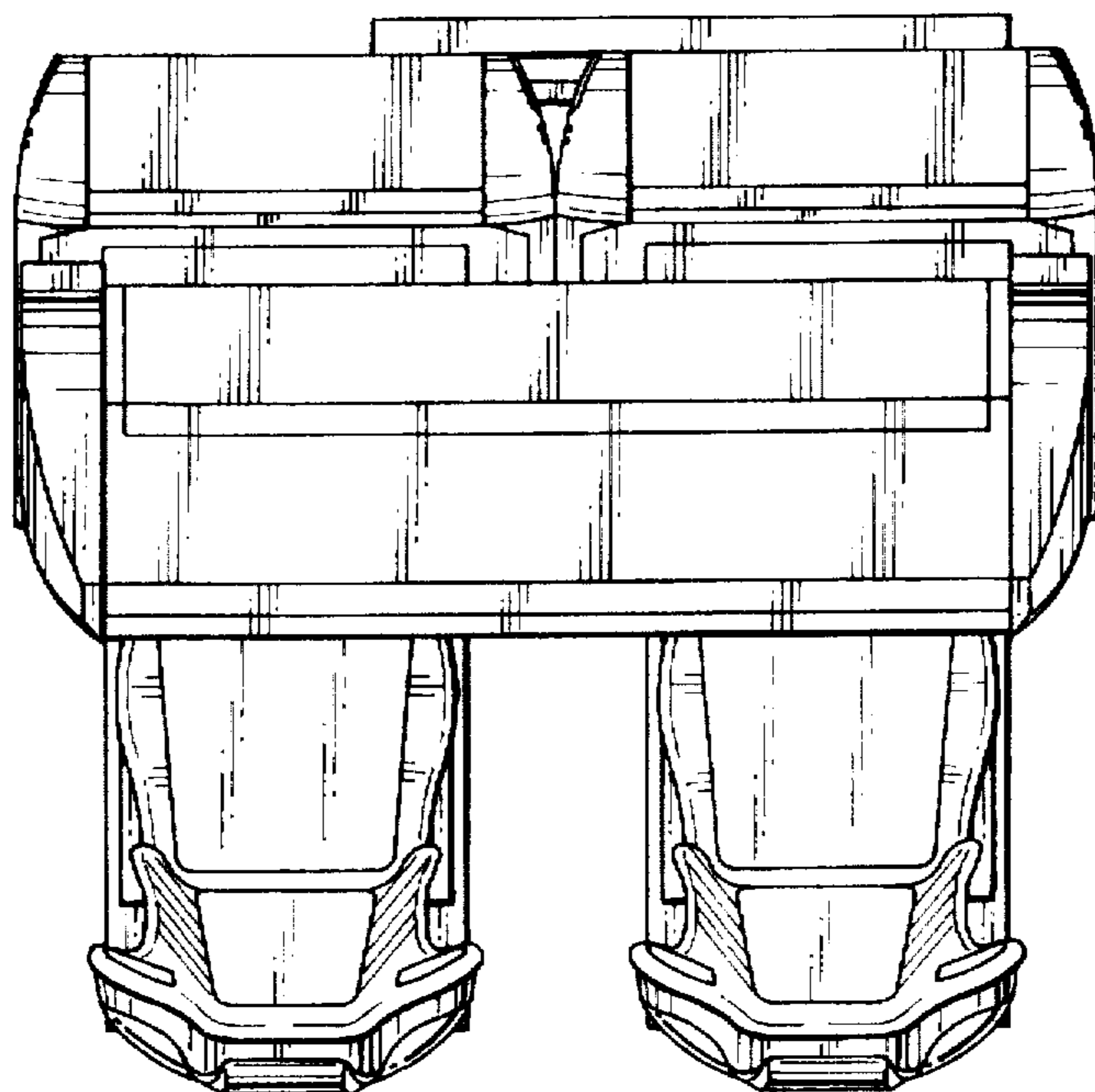


FIG. 5

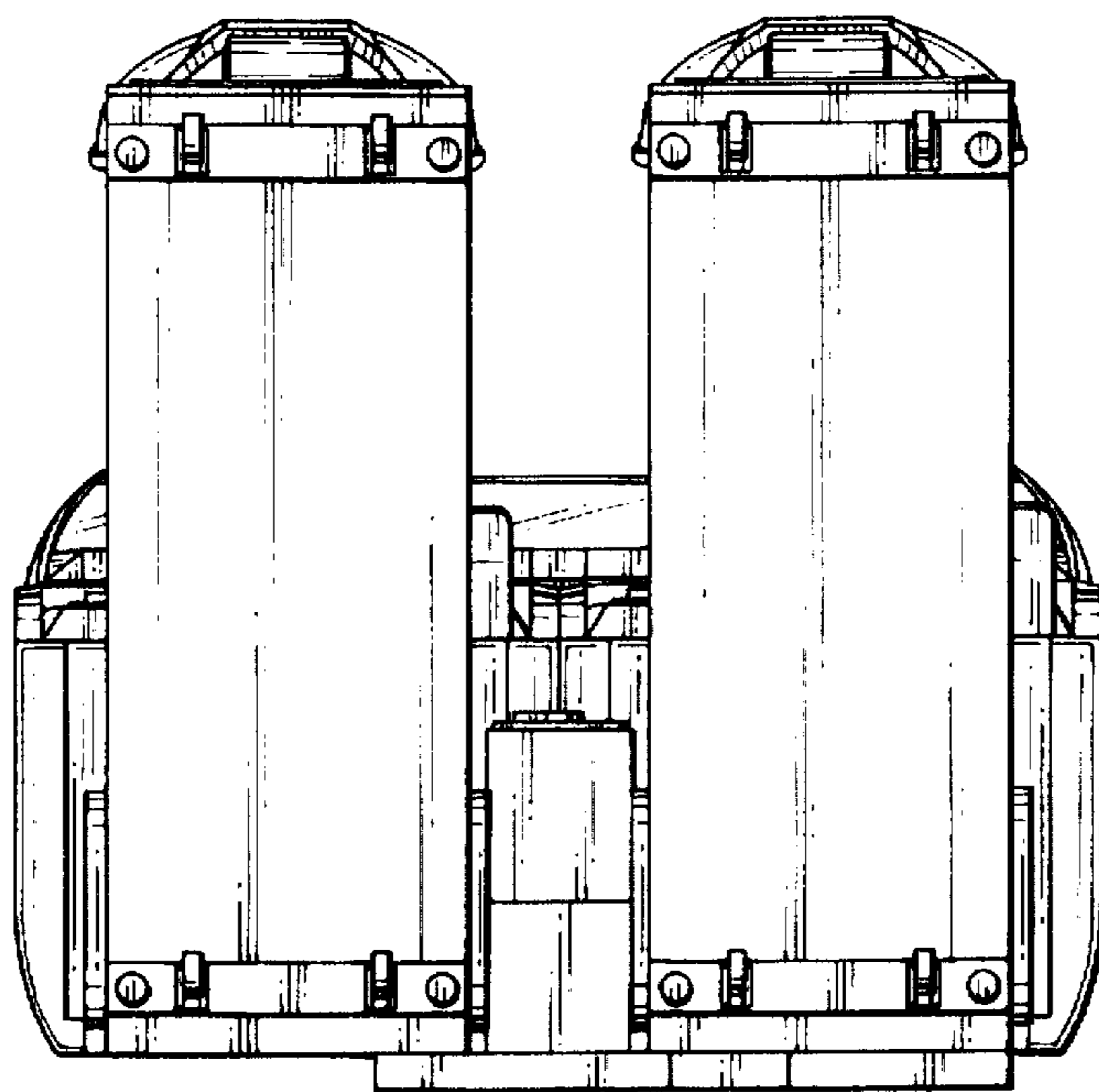


FIG. 6

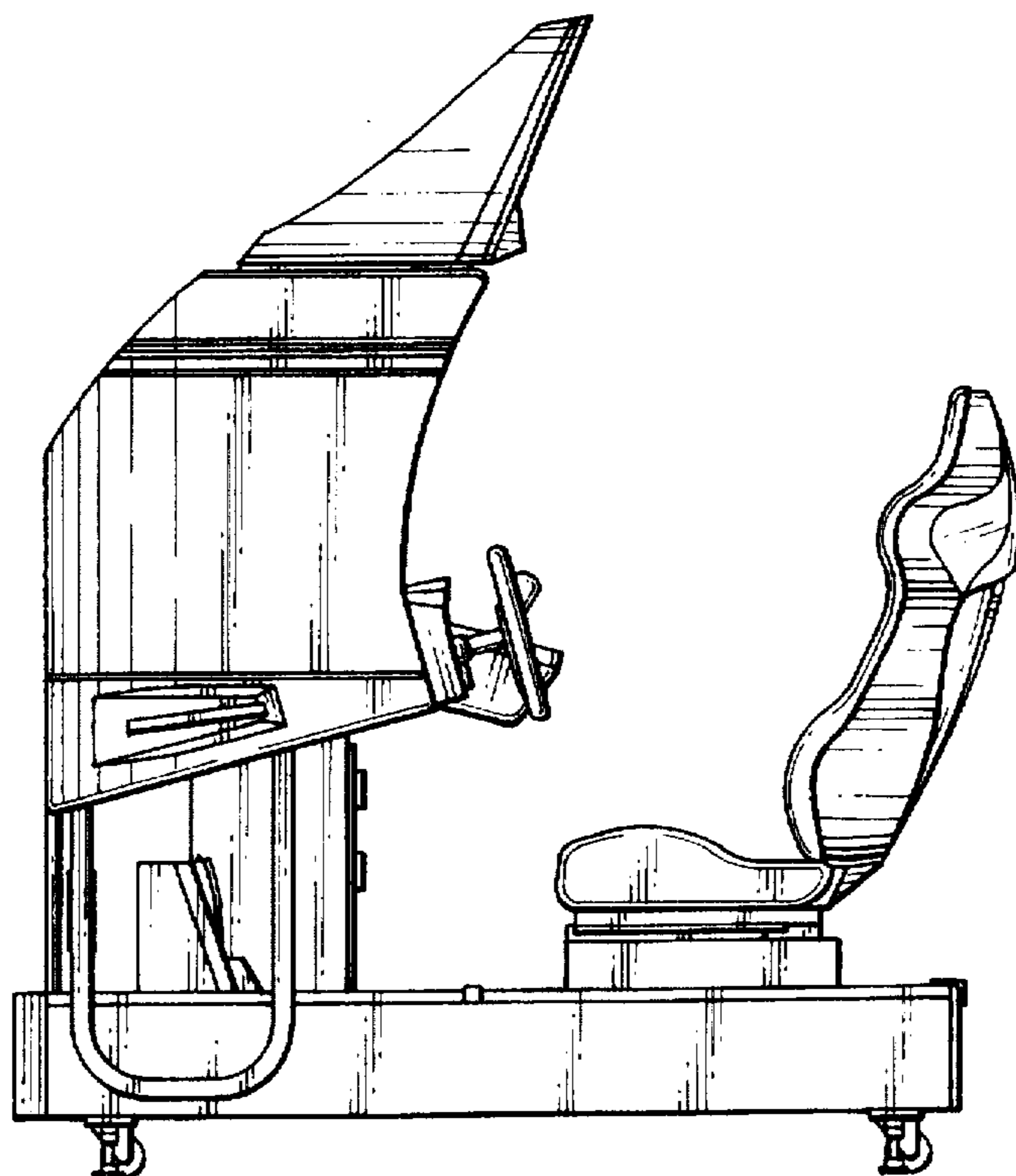


FIG. 7

