



US00D396896S

United States Patent [19]
Casteel

[11] **Patent Number: Des. 396,896**

[45] **Date of Patent: **Aug. 11, 1998**

[54] **GOLF CLUB HEAD**

[76] **Inventor: Kurt L. Casteel, 13413 N. 35th Ave.
#1029B, Phoenix, Ariz. 85029**

[**] **Term: 14 Years**

[21] **Appl. No.: 54,382**

[22] **Filed: May 13, 1996**

[51] **LOC (6) Cl. 21-02**

[52] **U.S. Cl. D21/219**

[58] **Field of Search D21/217-219;
473/340, 341, 251-256**

[56] **References Cited**

U.S. PATENT DOCUMENTS

D. 235,668	7/1975	Swash	D21/217
D. 268,691	4/1983	Collins	D21/217
D. 368,751	4/1996	Rife	D21/219
D. 372,752	8/1996	Raudman	D21/219
D. 379,484	5/1997	Solheim	D21/217

OTHER PUBLICATIONS

Golf Day; p. 11; Odyssey putters, item A, lower right corner of page, Apr. 1995.

Primary Examiner—Ted Shooman
Assistant Examiner—Mitchell I. Siegel
Attorney, Agent, or Firm—Gregory J. Nelson

[57] **CLAIM**

The ornamental design for a golf club head, as shown and described.

DESCRIPTION

FIG. 1 is a perspective view showing the golf club head of my invention;

FIG. 2 is a left side view showing the golf club head of my invention, the right side view being the mirror image thereof;

FIG. 3 is a rear view thereof;

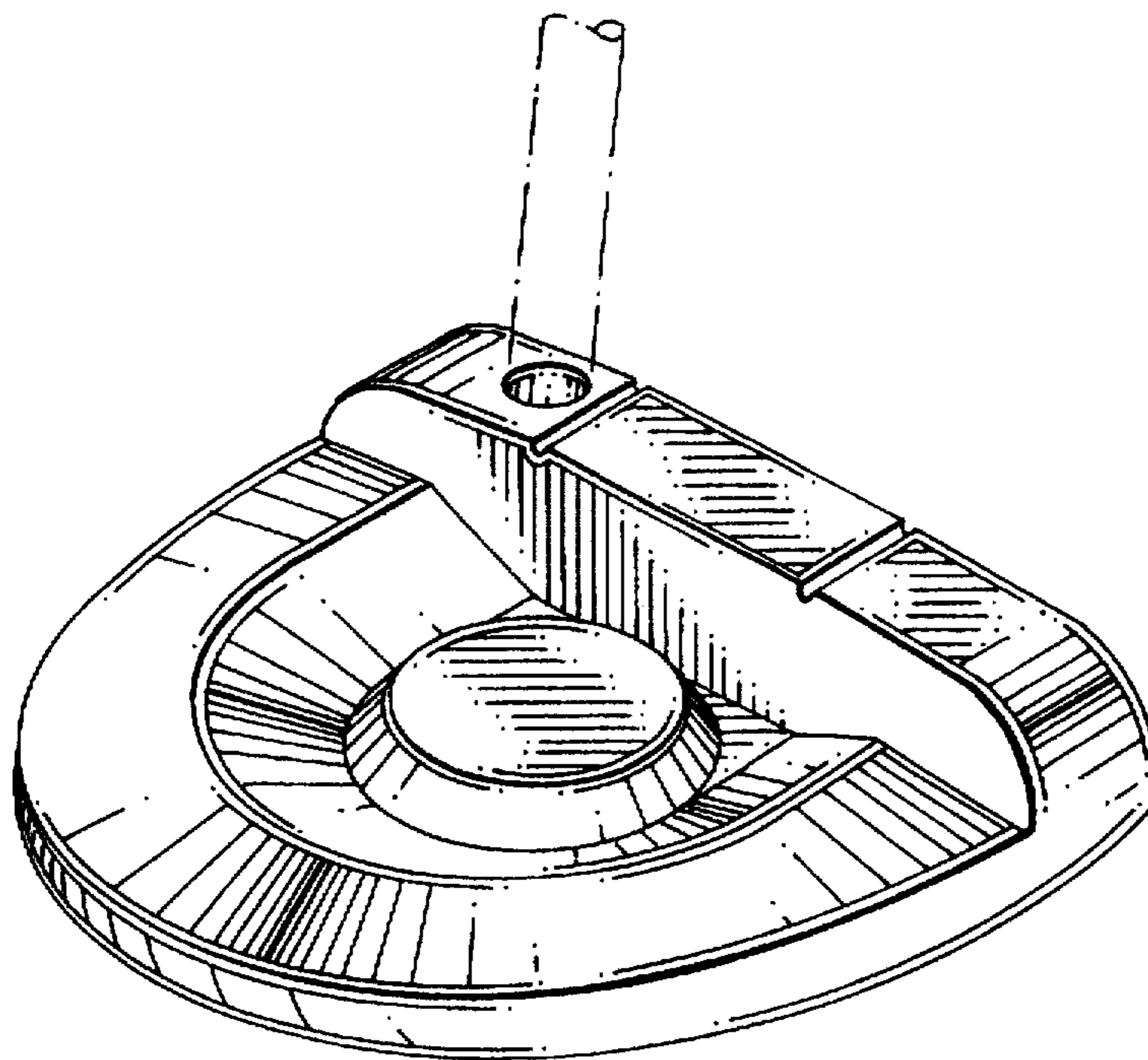
FIG. 4 is a top view thereof;

FIG. 5 is a bottom view thereof; and,

FIG. 6 is a front view looking at the face of the golf club head of my design.

The broken line showing of a fragmented shaft is for illustrative purposes only and forms no part of the claimed design.

1 Claim, 1 Drawing Sheet



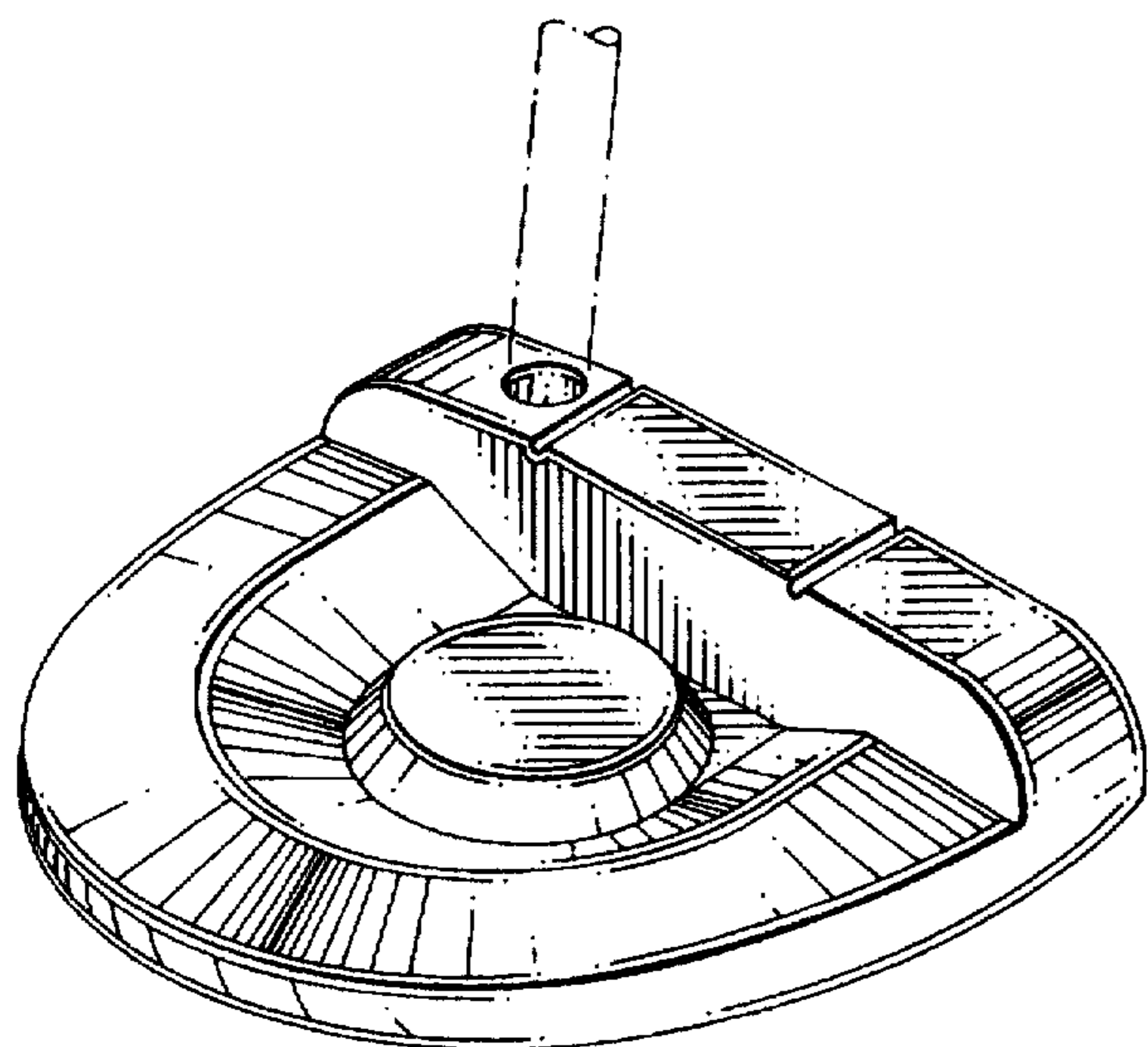


FIG. 1

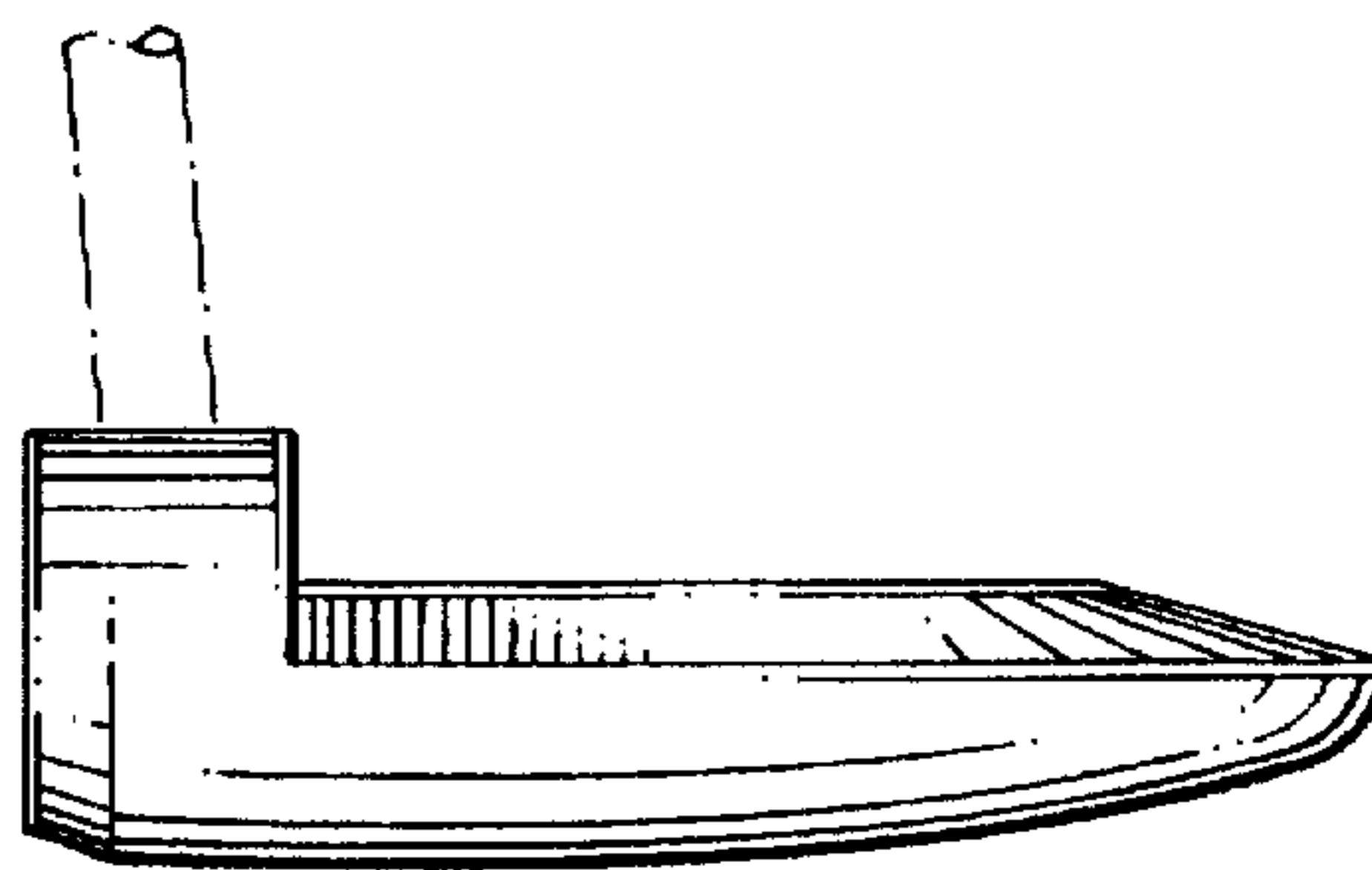


FIG. 2

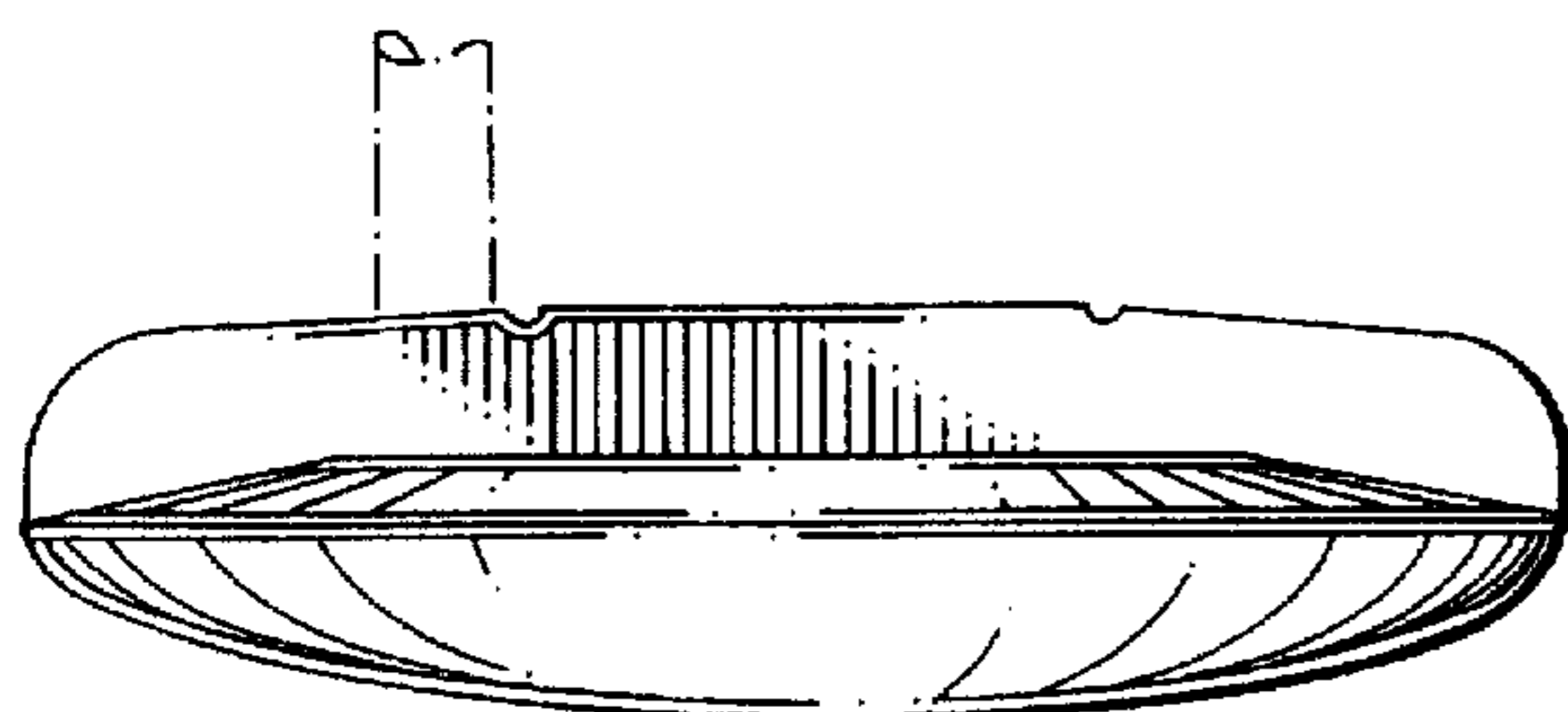


FIG. 3

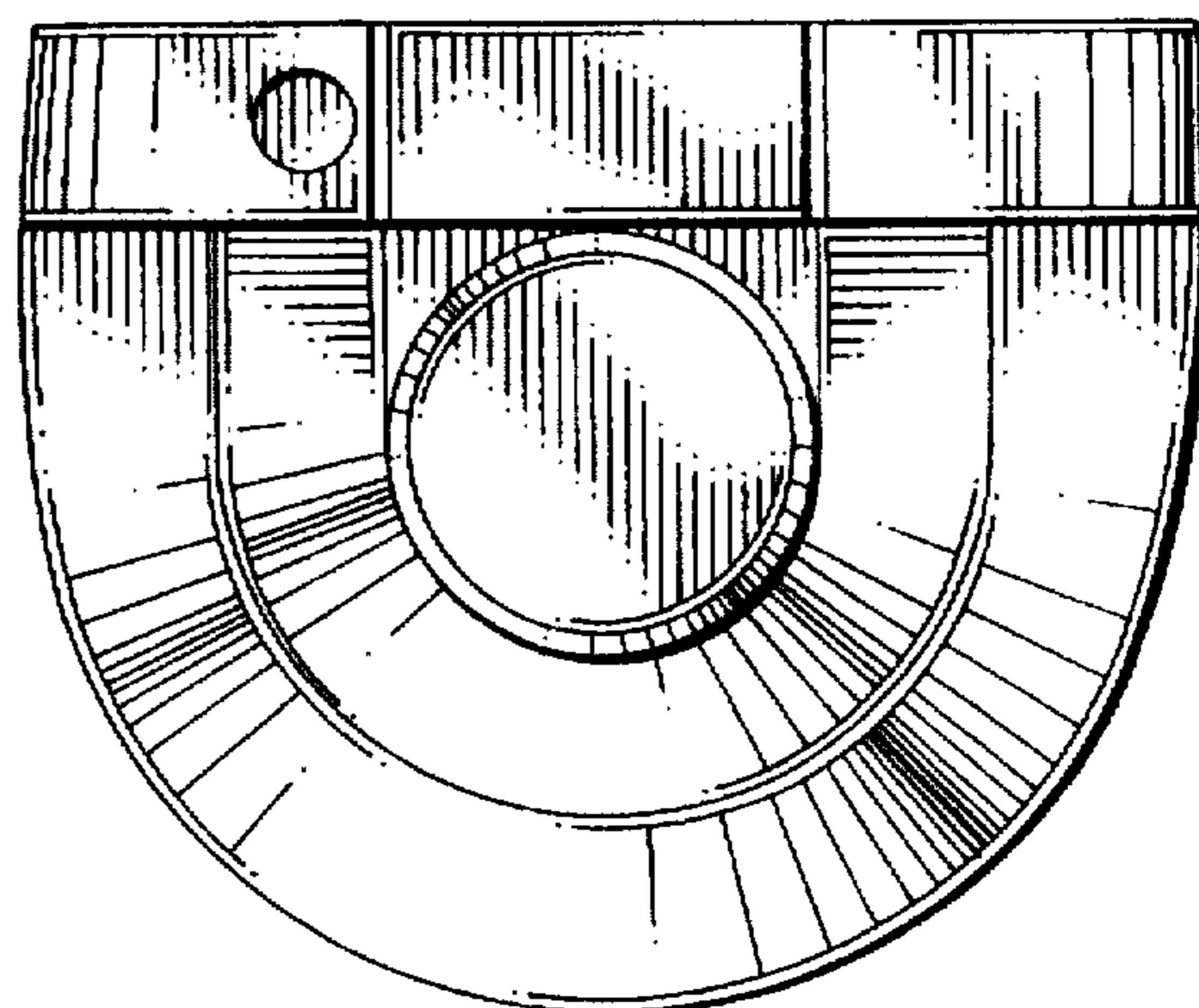


FIG. 4

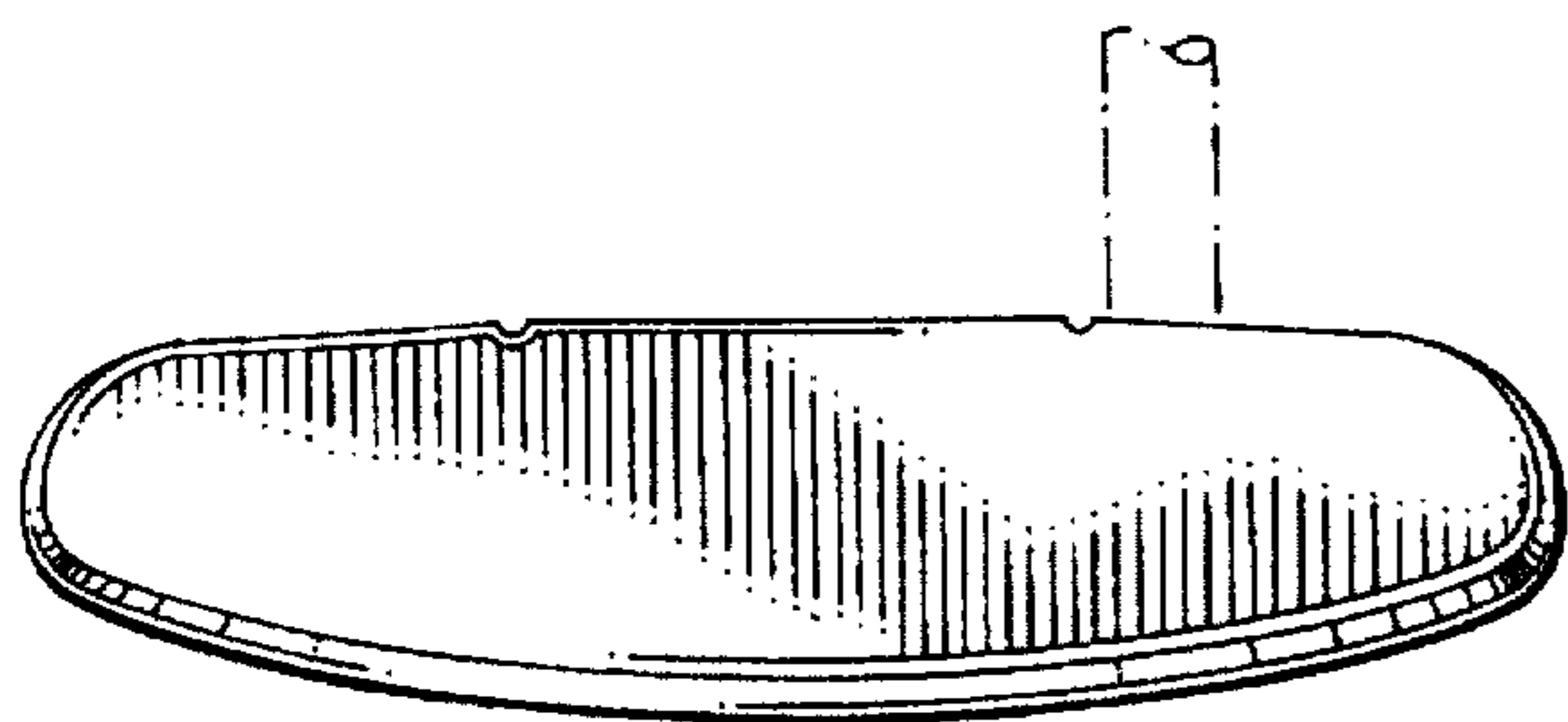


FIG. 6

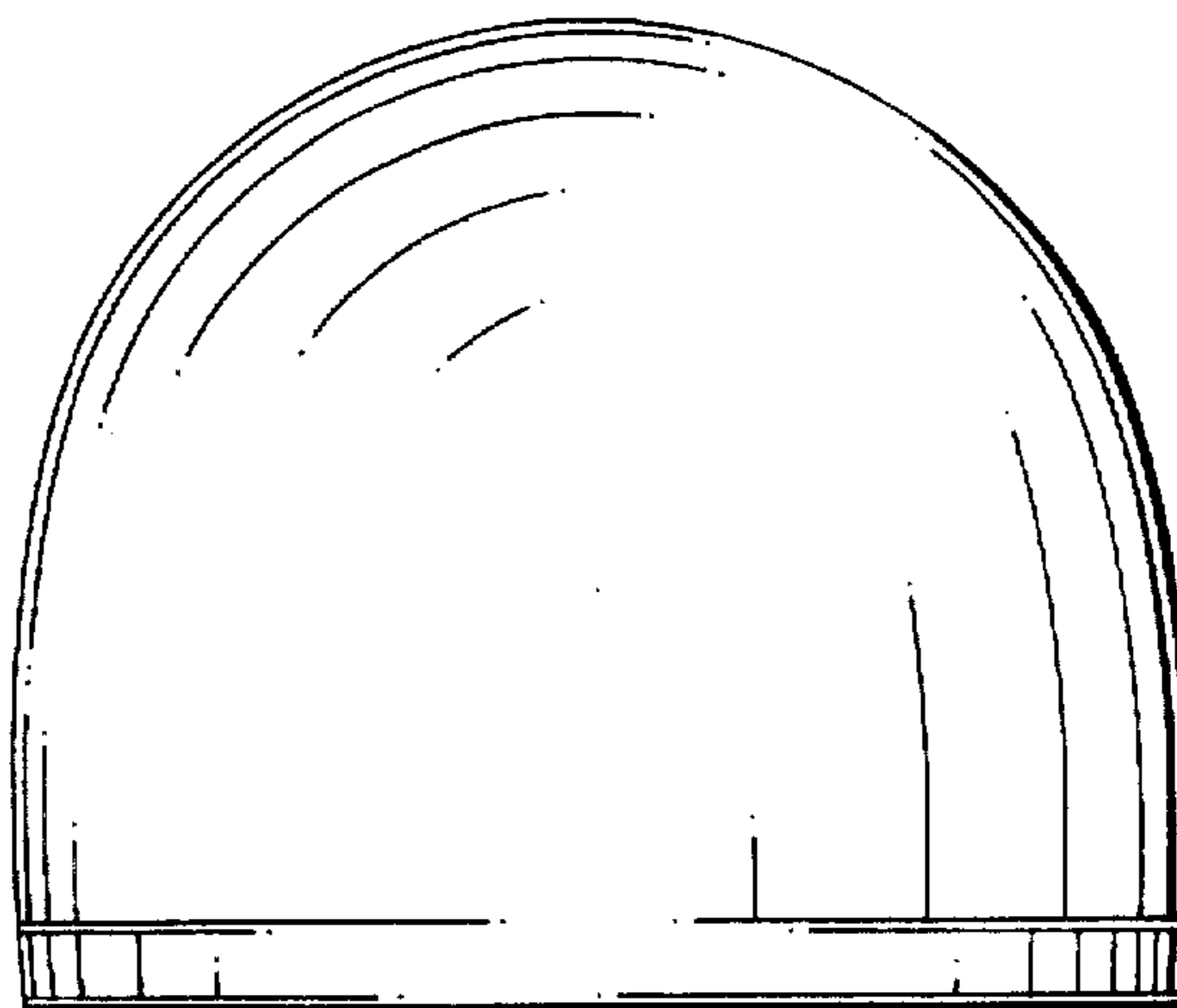


FIG. 5