



US00D396884S

United States Patent [19]
Davila

[11] **Patent Number: Des. 396,884**
[45] **Date of Patent: **Aug. 11, 1998**

[54] **COMBINATION WRITING INSTRUMENT
AND CORRECTING FLUID DEVICE**

[76] **Inventor: Estrellita Davila**, 2149 Crossing Way,
Wayne, N.J. 07470

[**] **Term: 14 Years**

[21] **Appl. No.: 77,928**

[22] **Filed: Oct. 14, 1997**

[51] **LOC (6) Cl. 19-06**

[52] **U.S. Cl. D19/36; D19/46; D19/51;
D19/338**

[58] **Field of Search D19/65, 66, 35,
D19/36, 41-51, 53-58, 81-85, 99, 100;
D9/338; 401/17, 18, 21, 34, 129, 183, 213,
195, 209**

[56] **References Cited**

U.S. PATENT DOCUMENTS

D. 132,979 7/1942 Nelson D19/46 X
D. 321,717 11/1991 Hager D19/36

D. 333,151 2/1993 Hochfeld D19/36
D. 336,659 6/1993 Lin D19/36
2,354,402 7/1944 Petruccione et al. 401/195 X
3,738,760 6/1973 Madira 401/195 X
3,879,141 4/1975 Shulman 401/183 X

Primary Examiner—Martie Thompson

[57] **CLAIM**

The ornamental design for a combination writing instrument and correcting fluid device, as shown and described.

DESCRIPTION

FIG. 1 is a front elevational view of a combination writing instrument and correcting fluid device showing my new design;

FIG. 2 is a rear elevational view thereof;

FIG. 3 is a right side view thereof;

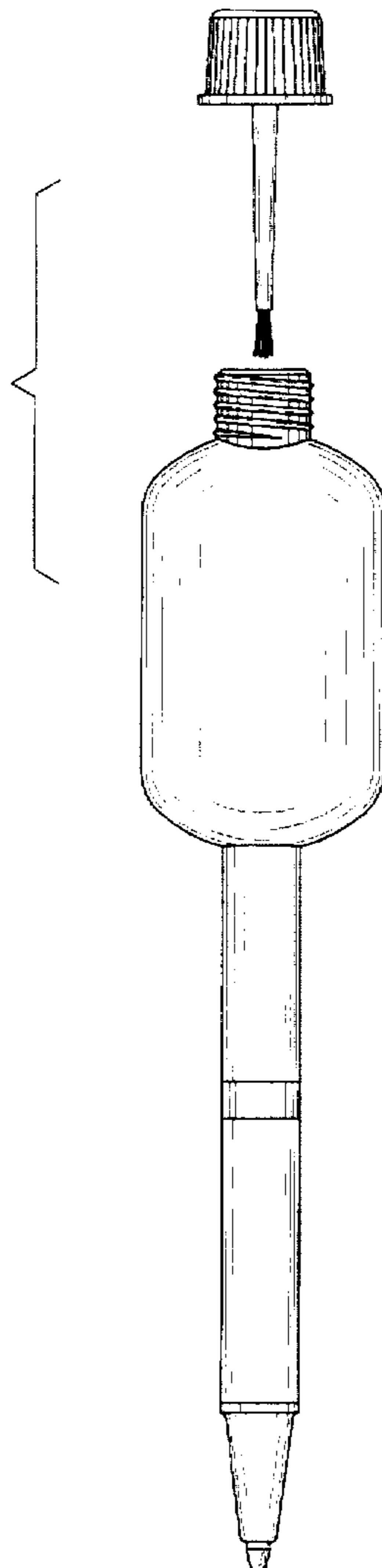
FIG. 4 is a left side view thereof;

FIG. 5 is a top plan view thereof;

FIG. 6 is a bottom plan view thereof; and,

FIG. 7 is an exploded front view thereof.

1 Claim, 3 Drawing Sheets



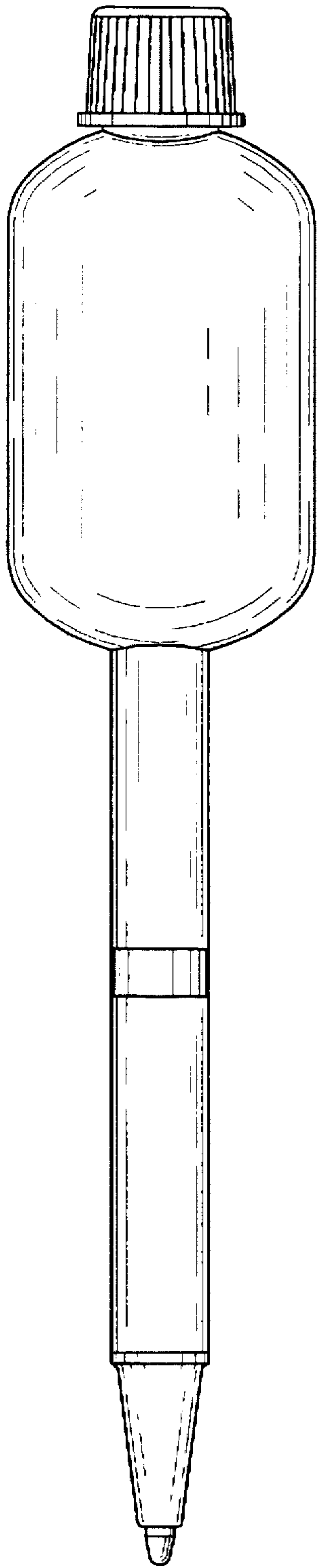


Fig. 1

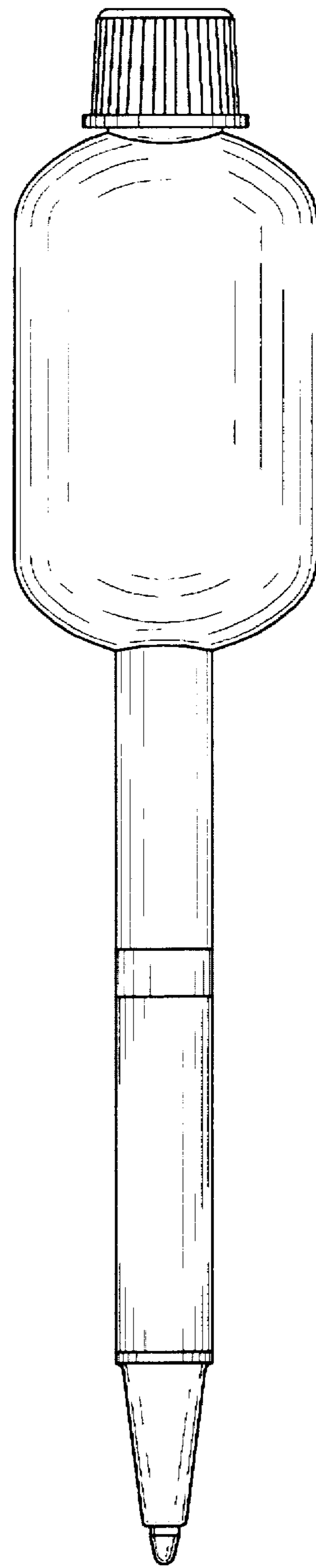


Fig. 2

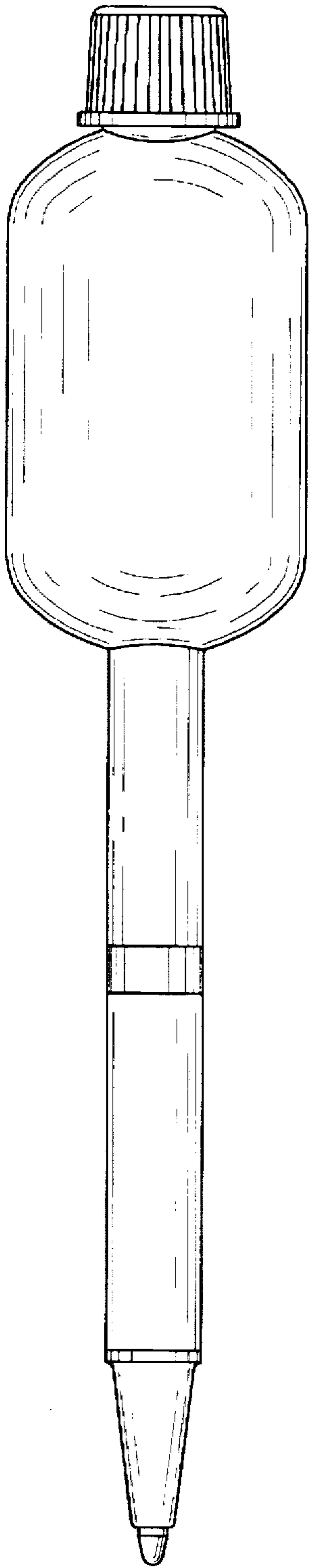


Fig. 3

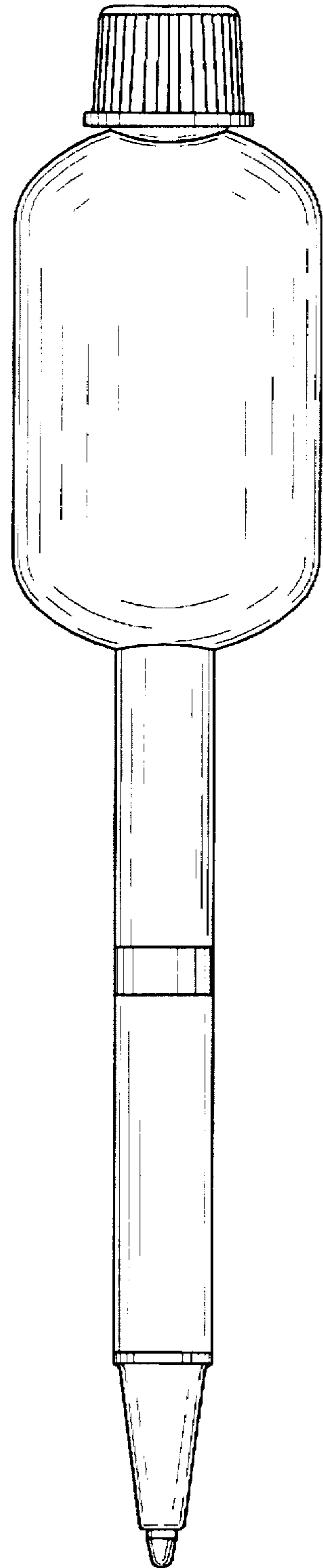


Fig. 4

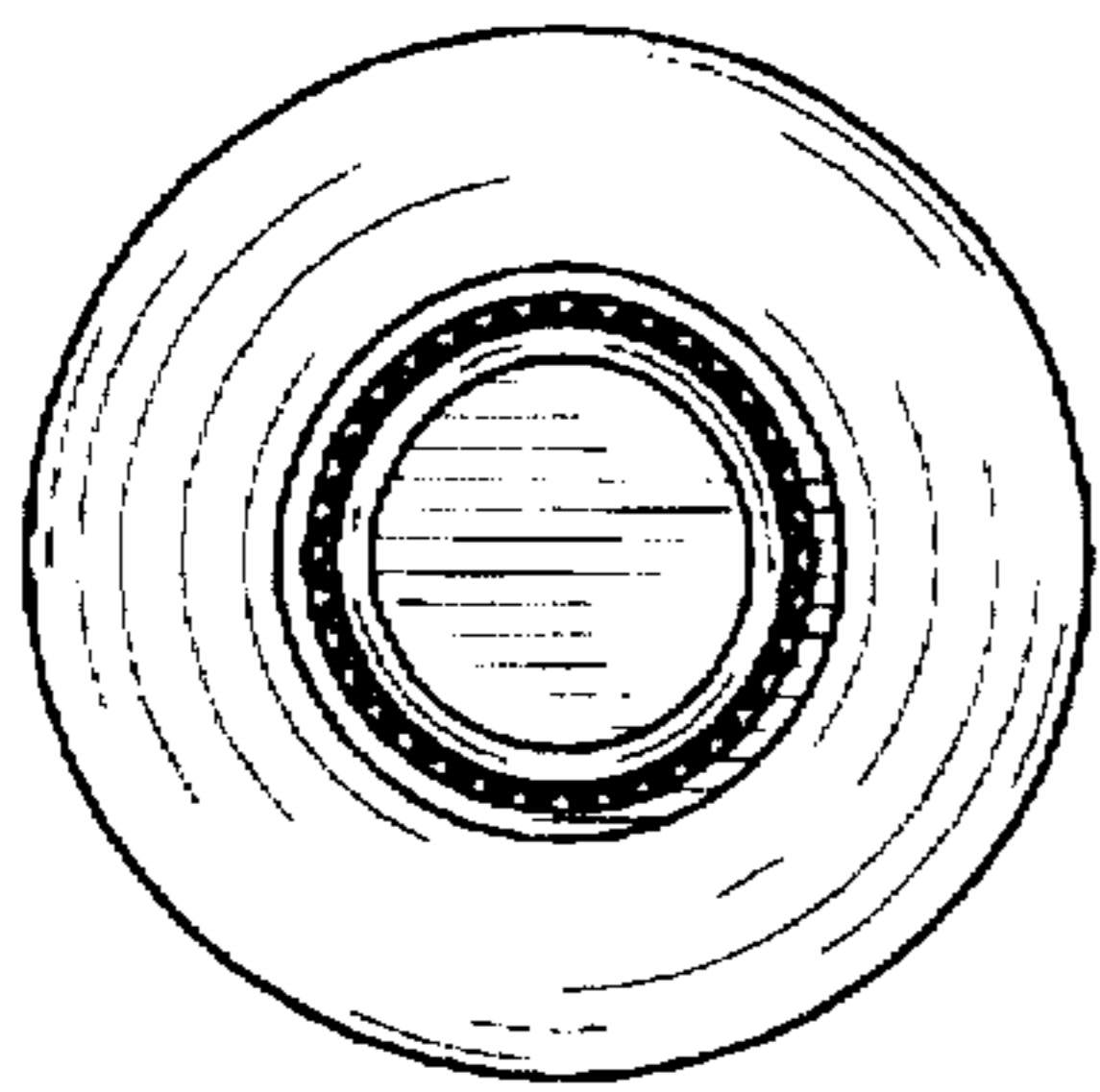


Fig. 5

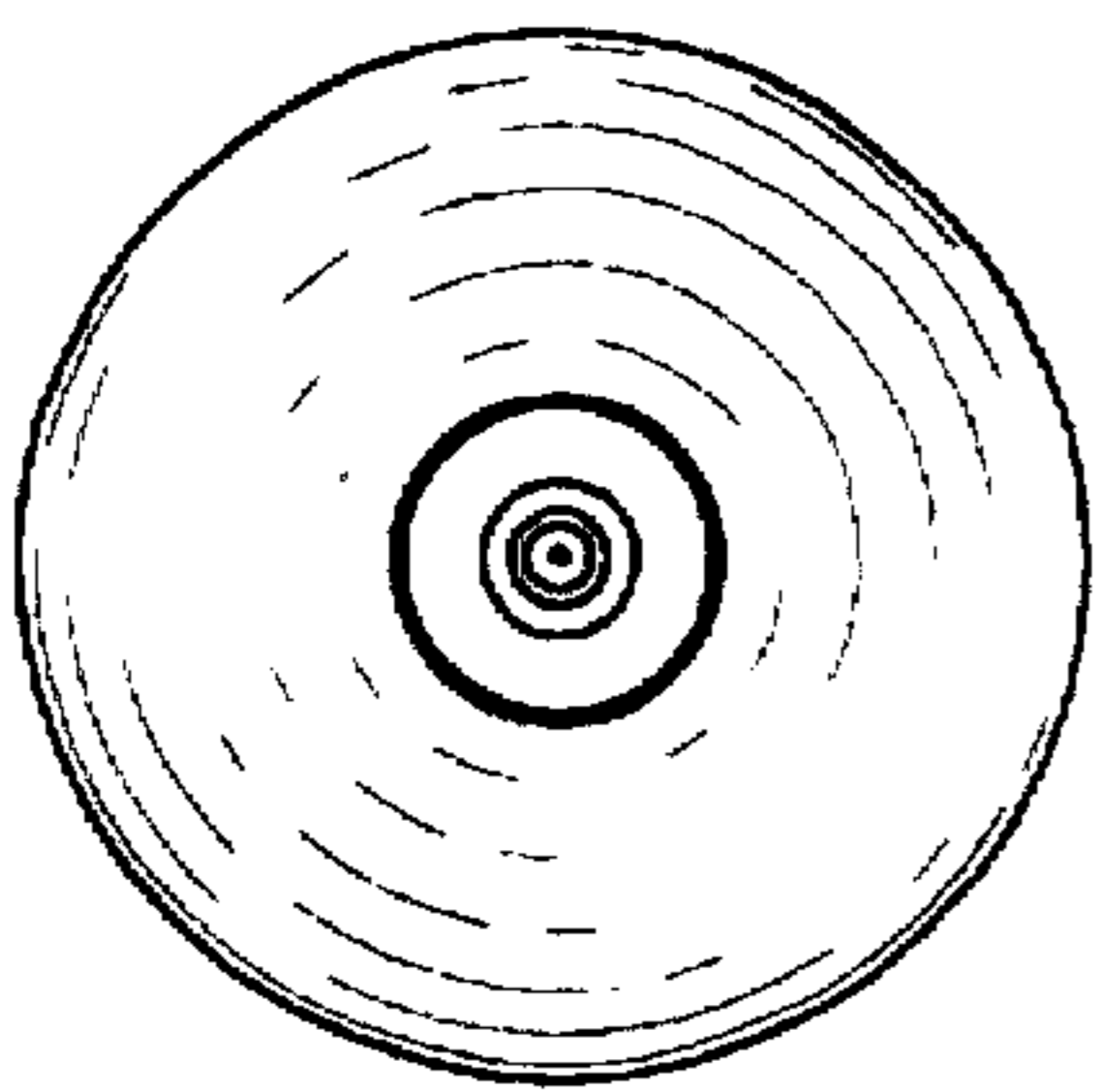


Fig. 6

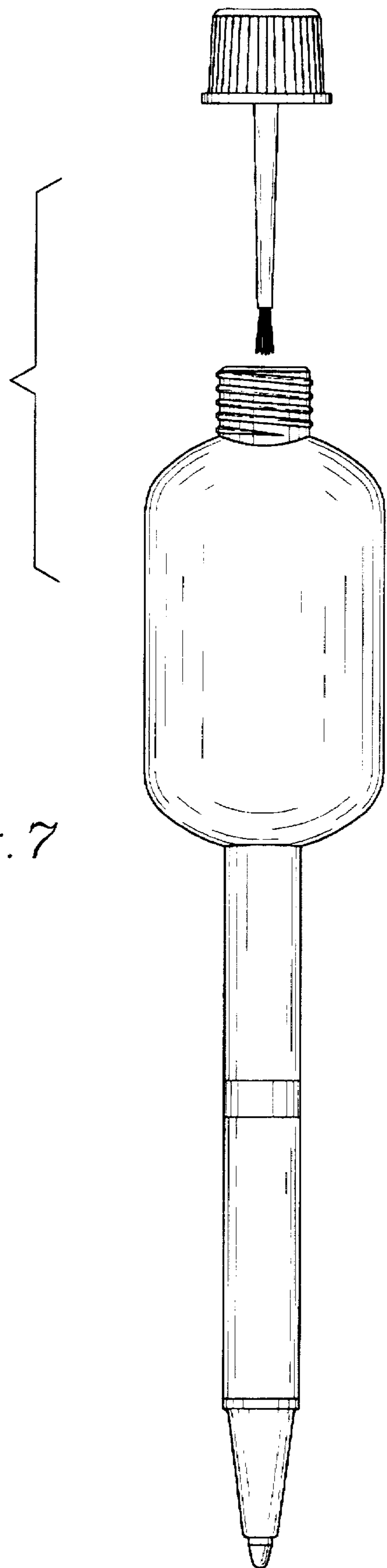


Fig. 7