



US00D396881S

United States Patent [19]

Theriaux et al.

[11] Patent Number: Des. 396,881

[45] Date of Patent: **Aug. 11, 1998

[54] GRIPPING AND ALIGNMENT DEVICE

[75] Inventors: Edwin G. Theriaux, Hudson, N.H.;
James R. Moss, Satellite Beach, Fla.

[73] Assignee: Presstek, Inc., Hudson, N.H.

[**] Term: 14 Years

[21] Appl. No.: 50,958

[22] Filed: Feb. 21, 1996

[51] LOC (6) Cl. 18-02

[52] U.S. Cl. D18/57

[58] Field of Search D8/71; D15/140;
D18/56; 101/408, 409, 410, 411, 412, 415.1,
474, 475, 477

[56] References Cited

U.S. PATENT DOCUMENTS

D. 366,060 1/1996 Theriaux et al. D18/56

Primary Examiner—Antoine Duval Davis
Attorney, Agent, or Firm—Cesari and McKenna

[57] CLAIM

The ornamental design for a gripping and alignment device, as shown.

DESCRIPTION

FIG. 1 is an isometric view from the front of a gripping and alignment device incorporating my design;

FIG. 2 is a front elevational view thereof;

FIG. 3 is a rear elevational view thereof;

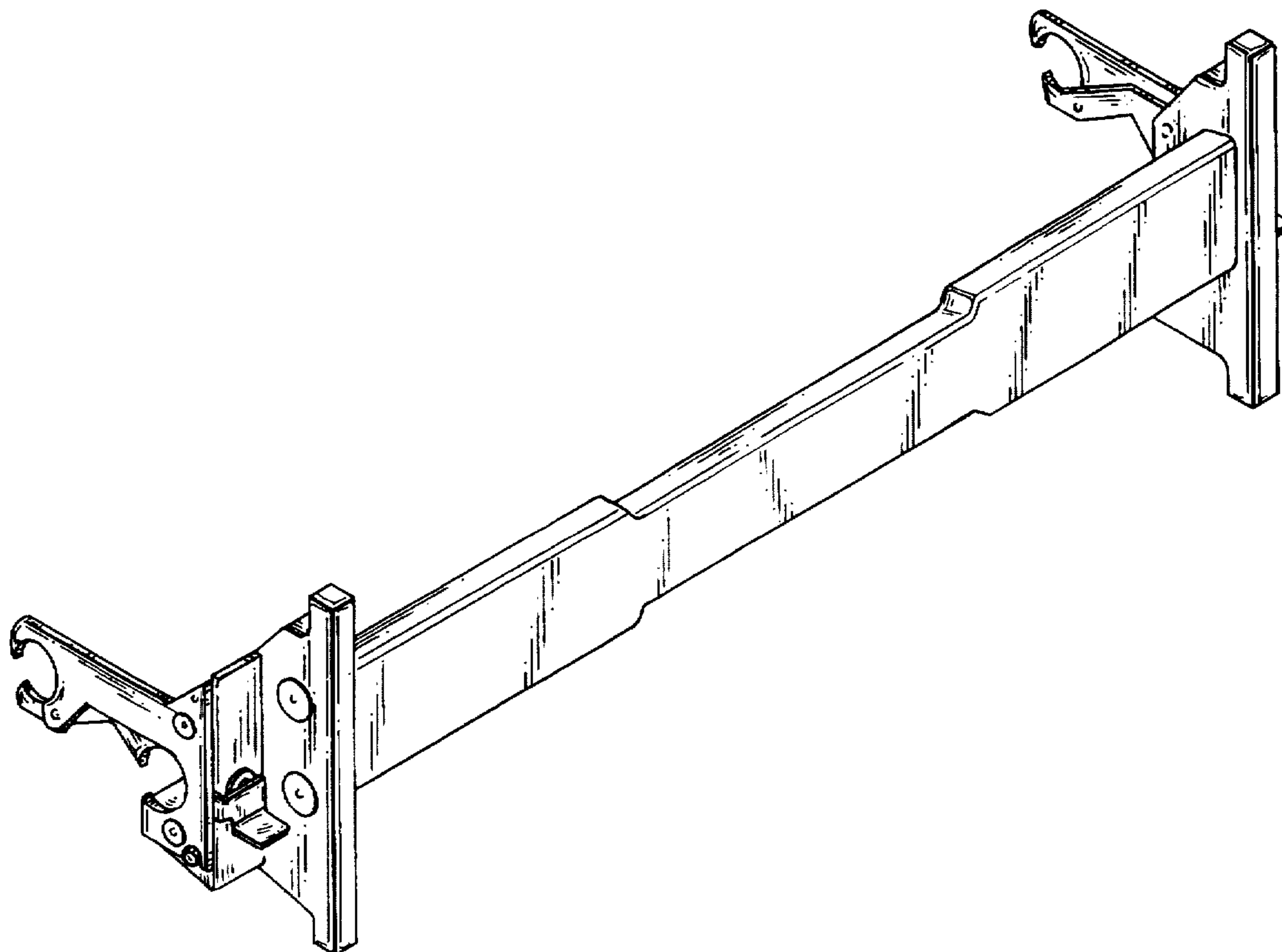
FIG. 4 is a right side elevational view thereof;

FIG. 5 is a left side elevational view thereof;

FIG. 6 is a top plan view thereof; and,

FIG. 7 is a bottom plan view thereof.

1 Claim, 3 Drawing Sheets



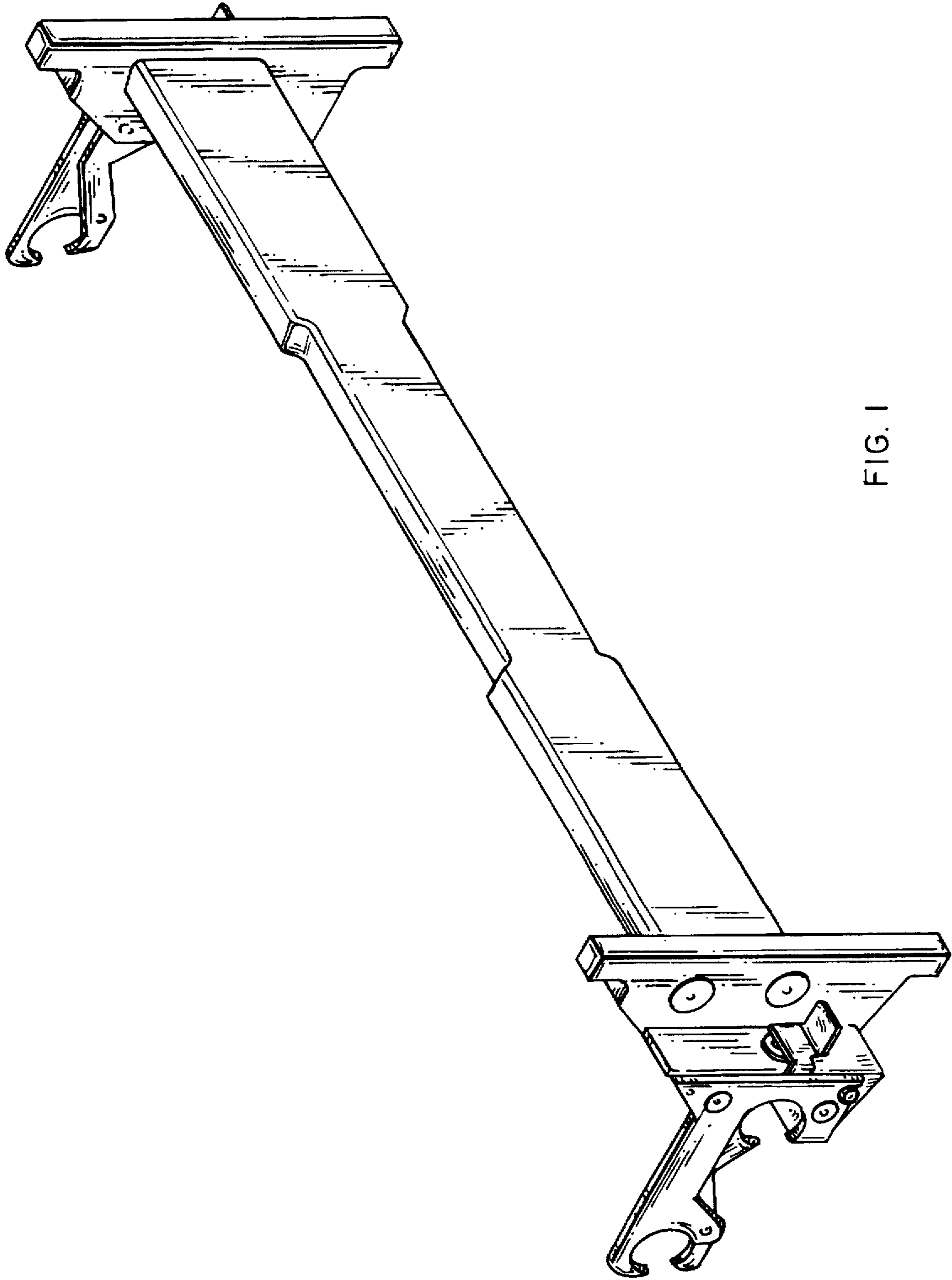


FIG. 1

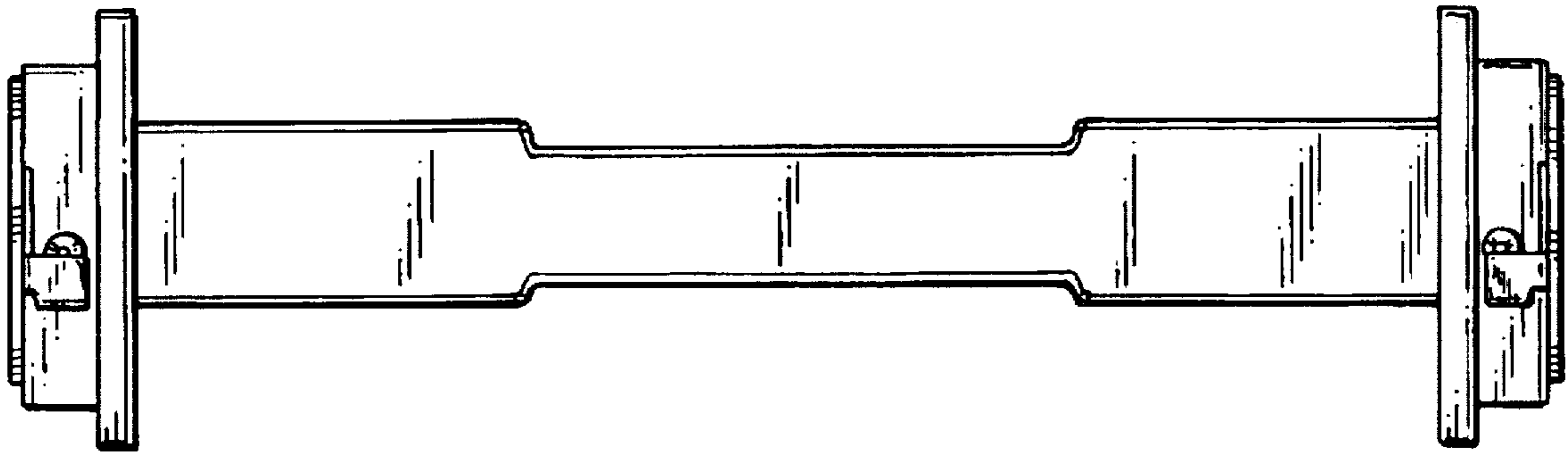


FIG. 2

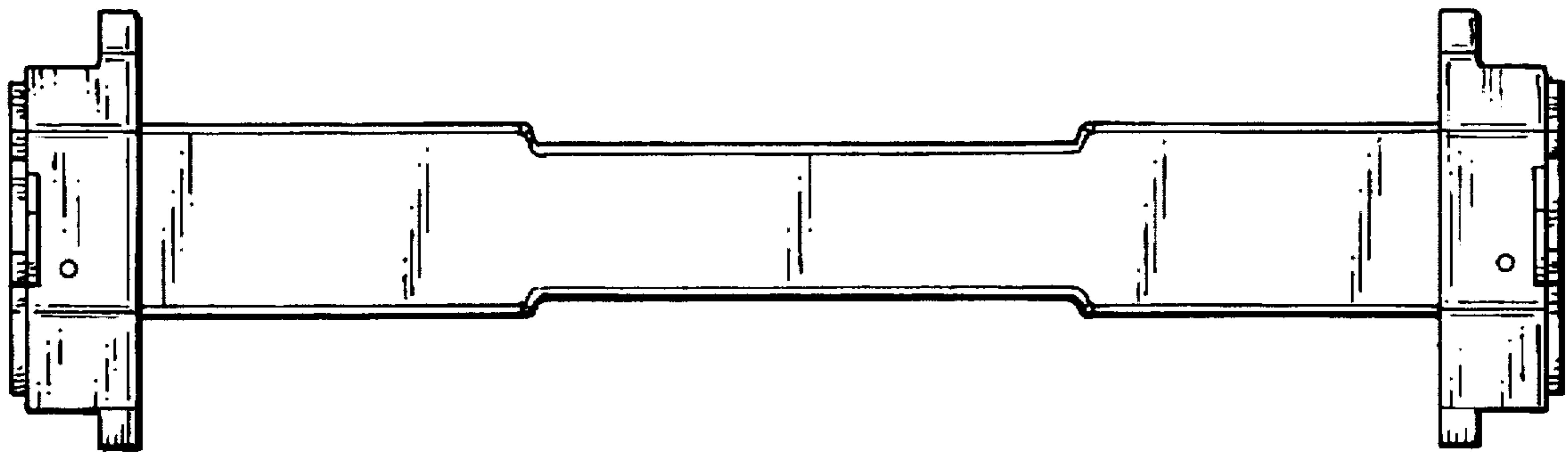


FIG. 3

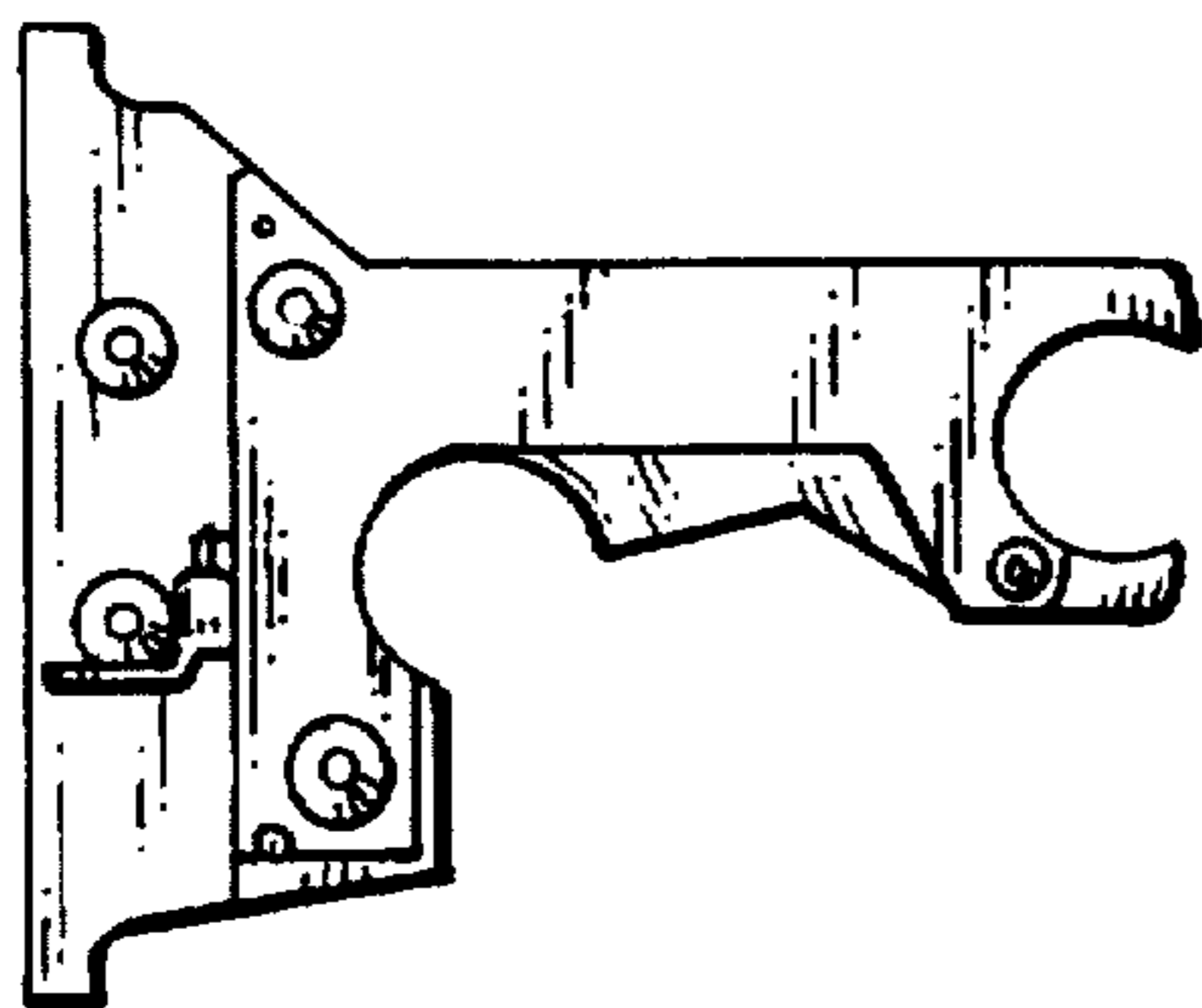


FIG. 4

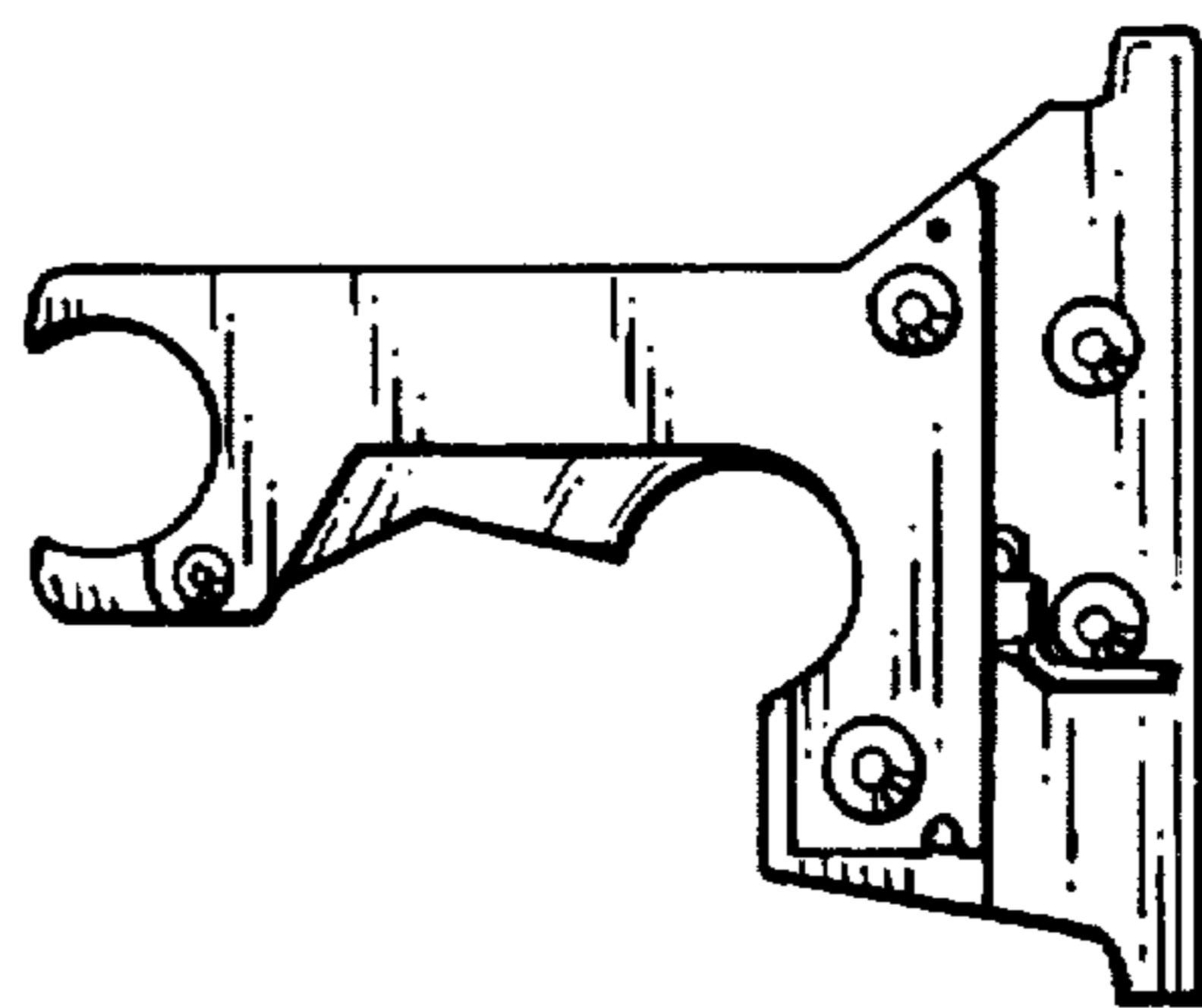


FIG. 5

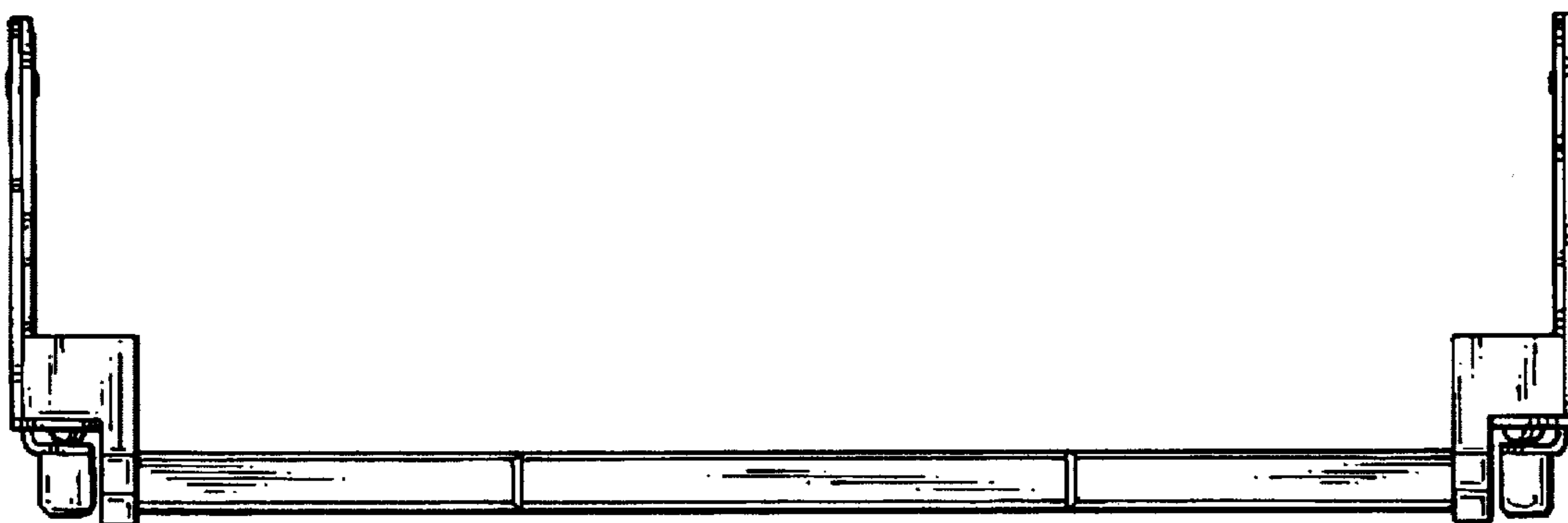


FIG. 6

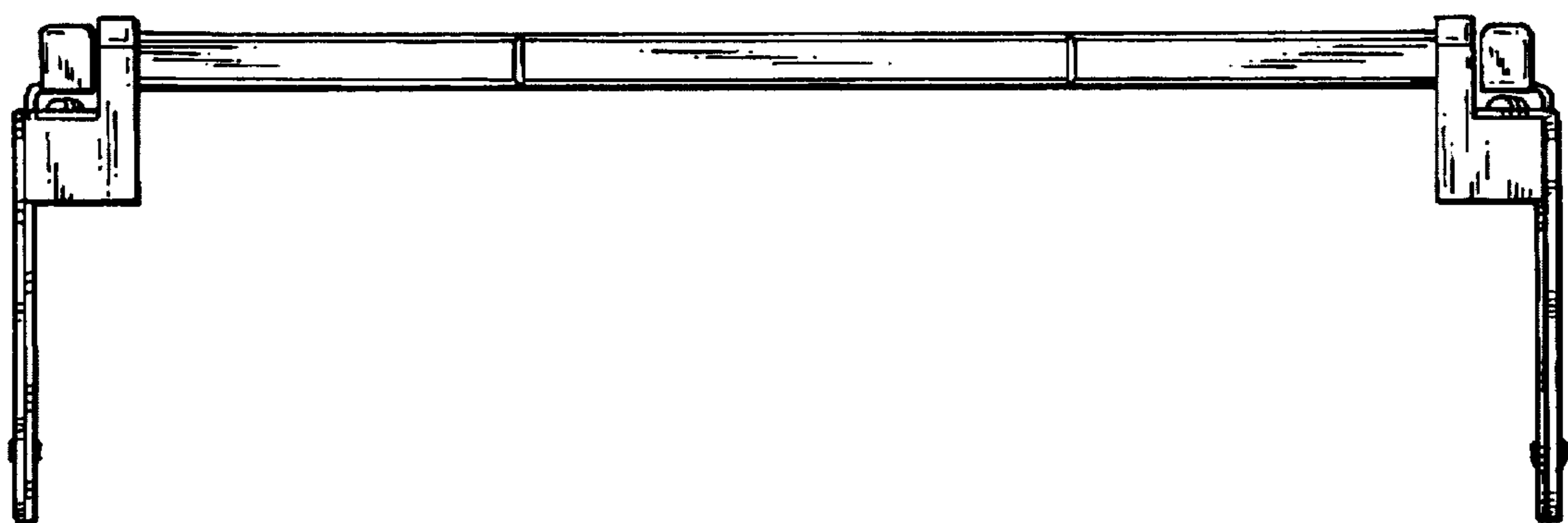


FIG. 7