



US00D396878S

United States Patent [19]

Senshiki et al.

[11] Patent Number: **Des. 396,878**

[45] Date of Patent: ****Aug. 11, 1998**

[54] **SORTER**

[75] Inventors: **Yasunori Senshiki, Kunitachi; Yoichi Tagawa, Ushiku; Mikio Shibata, Iwatsuki, all of Japan**

[73] Assignees: **Canon Kabushiki Kaisha, Tokyo; Canon Aptex Kabushiki Kaisha, Mitsukaido, both of Japan**

[**] Term: **14 Years**

[21] Appl. No.: **75,065**

[22] Filed: **Aug. 12, 1997**

[30] **Foreign Application Priority Data**

Feb. 21, 1997 [JP] Japan 9-5081

[51] **LOC (6) Cl.** **18-99**

[52] **U.S. Cl.** **D18/48; D18/47**

[58] **Field of Search** **D18/36-39, 46-49, D18/56; 271/278, 287, 293; 399/16, 361, 365, 367, 403, 404, 405**

[56] **References Cited**

U.S. PATENT DOCUMENTS

D. 299,832	2/1989	Hara	D18/48
D. 309,912	8/1990	Hirata	D18/48
D. 354,306	1/1995	Shimizu	D18/48
D. 373,789	9/1996	Narushima	D18/48

Primary Examiner—Caron D. Veynar
Attorney, Agent, or Firm—Fitzpatrick, Cella, Harper & Scinto

[57] **CLAIM**

The ornamental design for a sorter, as shown and described.

DESCRIPTION

FIG. 1 is a front view of a sorter showing our new design; FIG. 2 is a rear view thereof; FIG. 3 is a top plan view thereof; FIG. 4 is a bottom plan view thereof; FIG. 5 is a left side view thereof; FIG. 6 is a right side view thereof; and, FIG. 7 is a perspective view thereof.

1 Claim, 6 Drawing Sheets

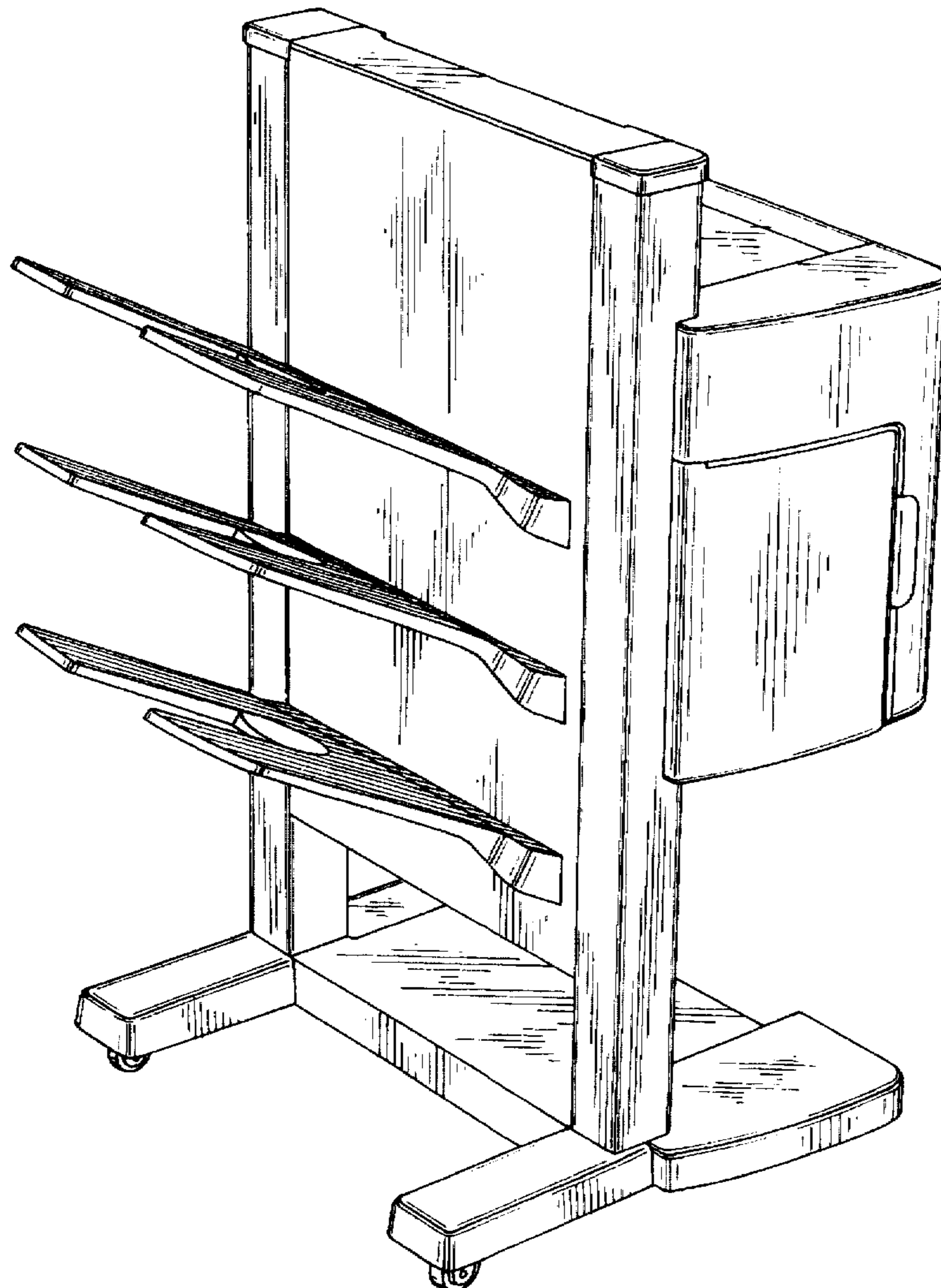


FIG. 1

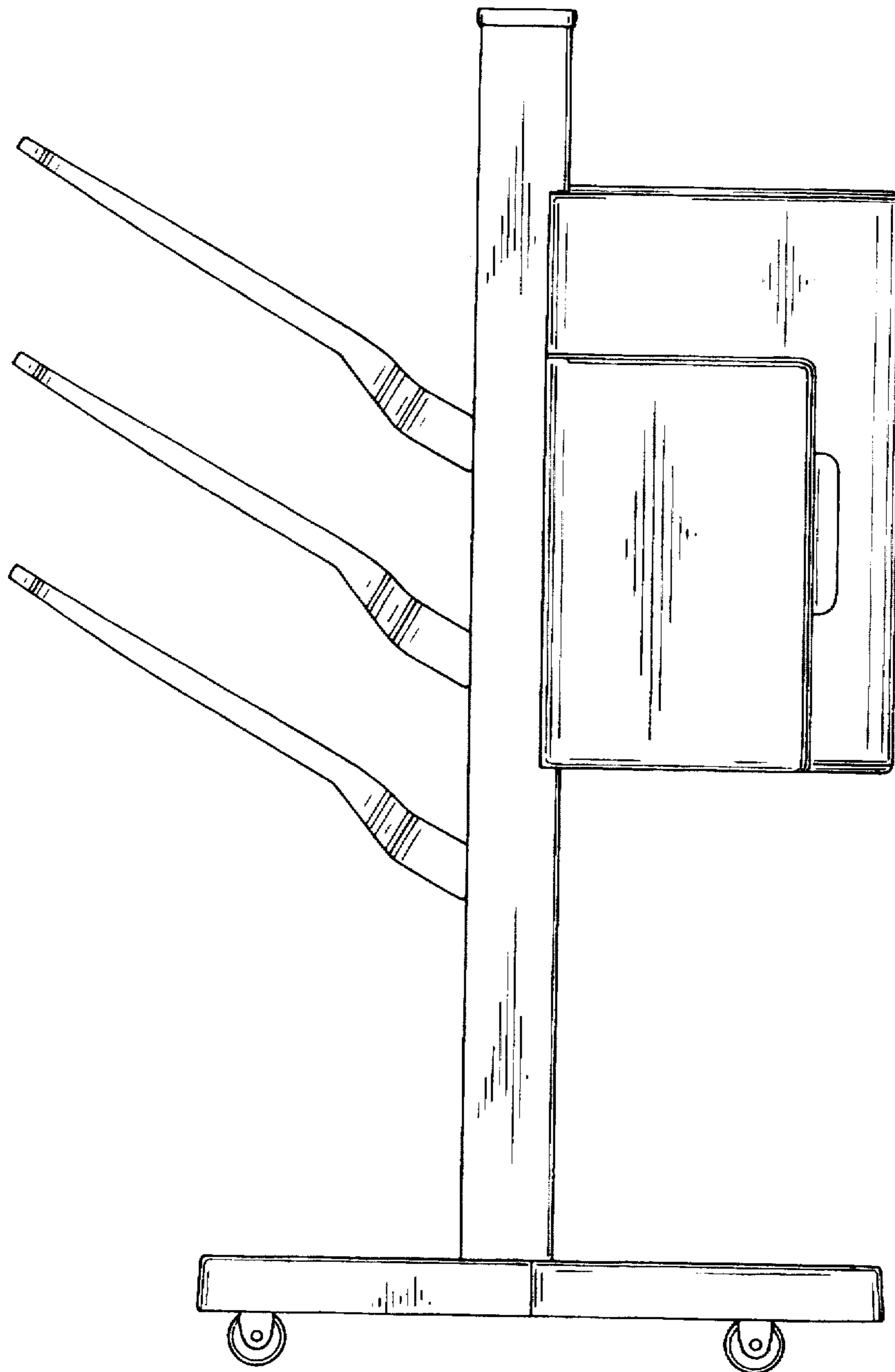


FIG. 2

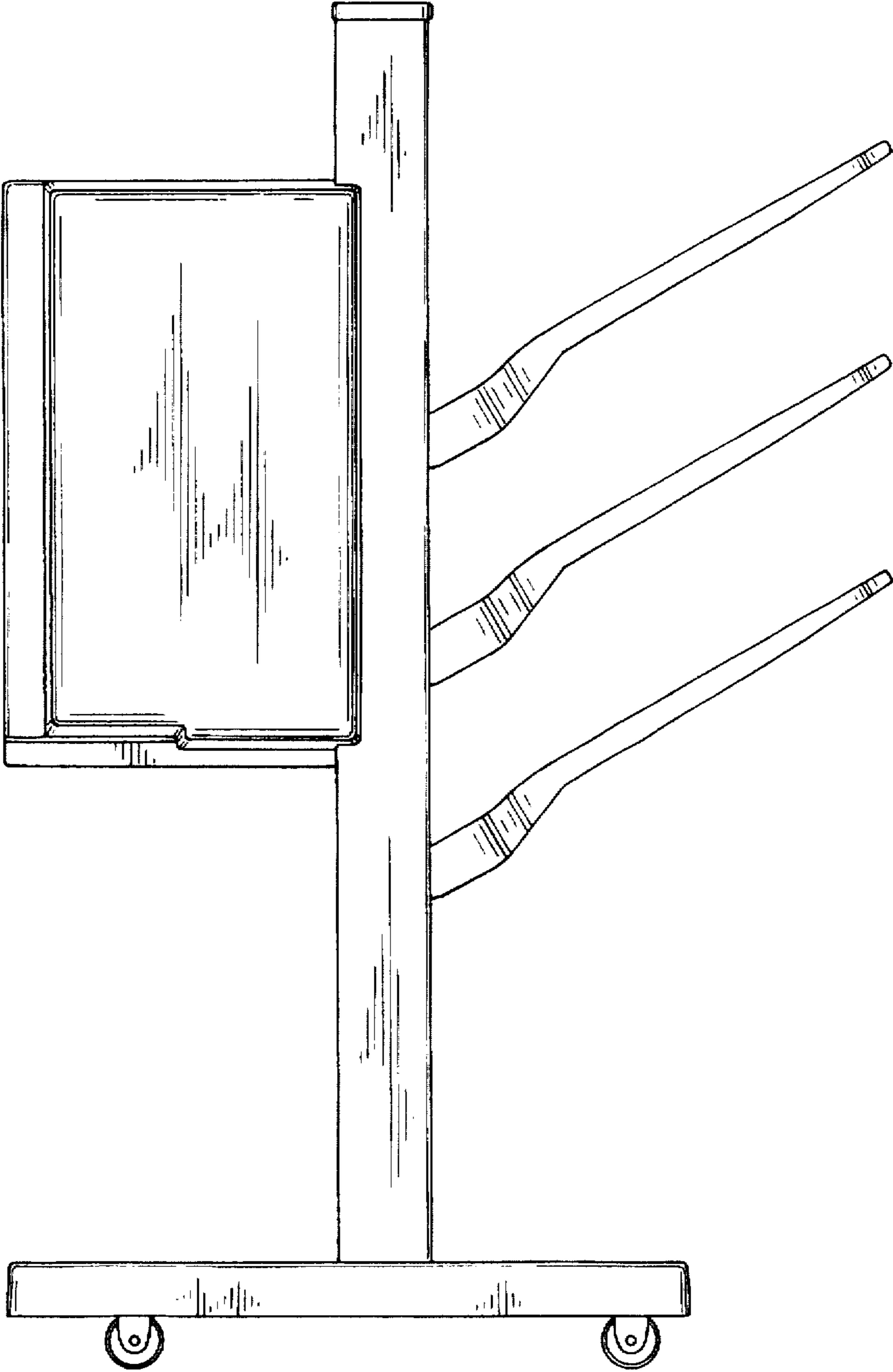


FIG. 3

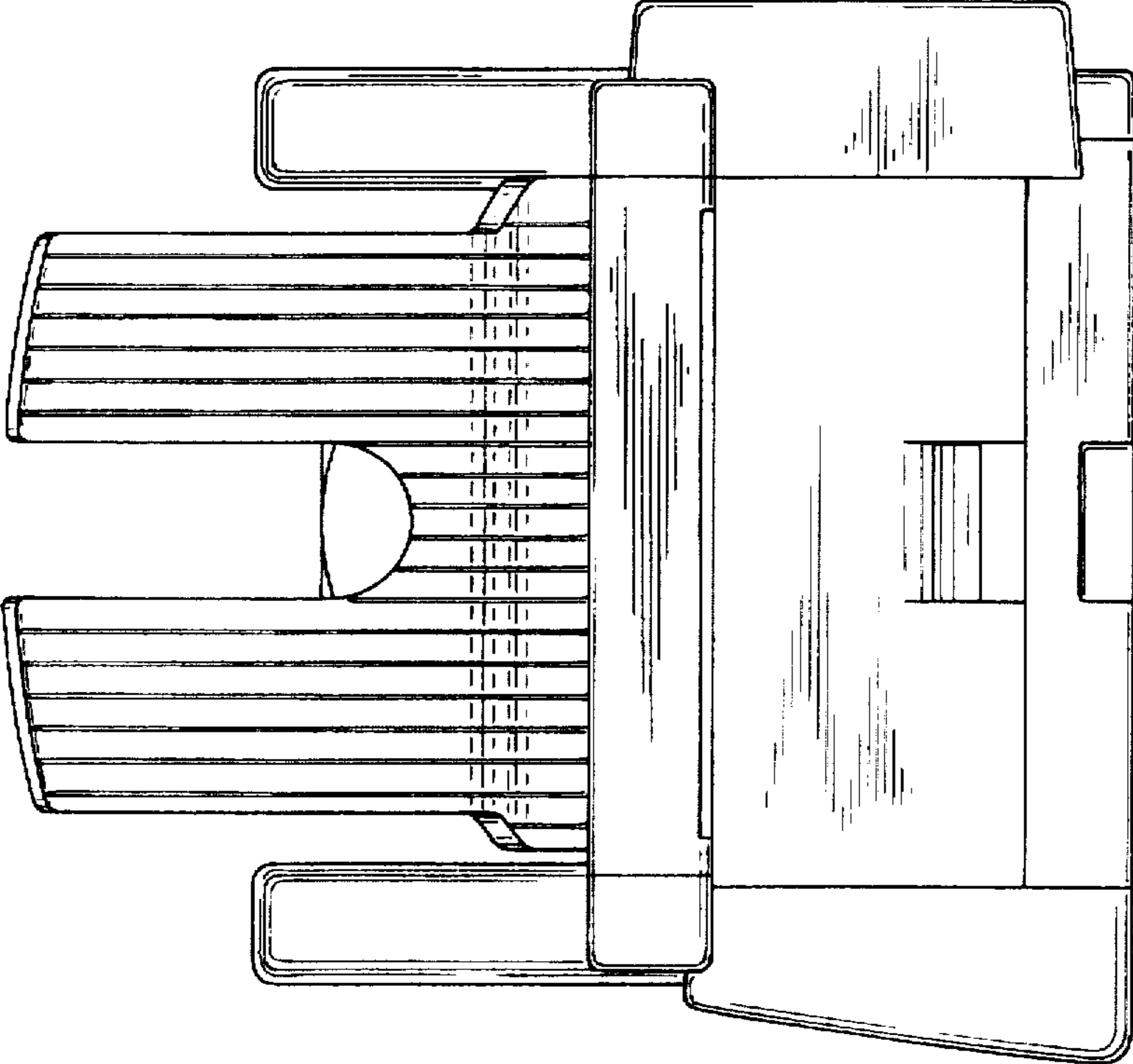


FIG. 4

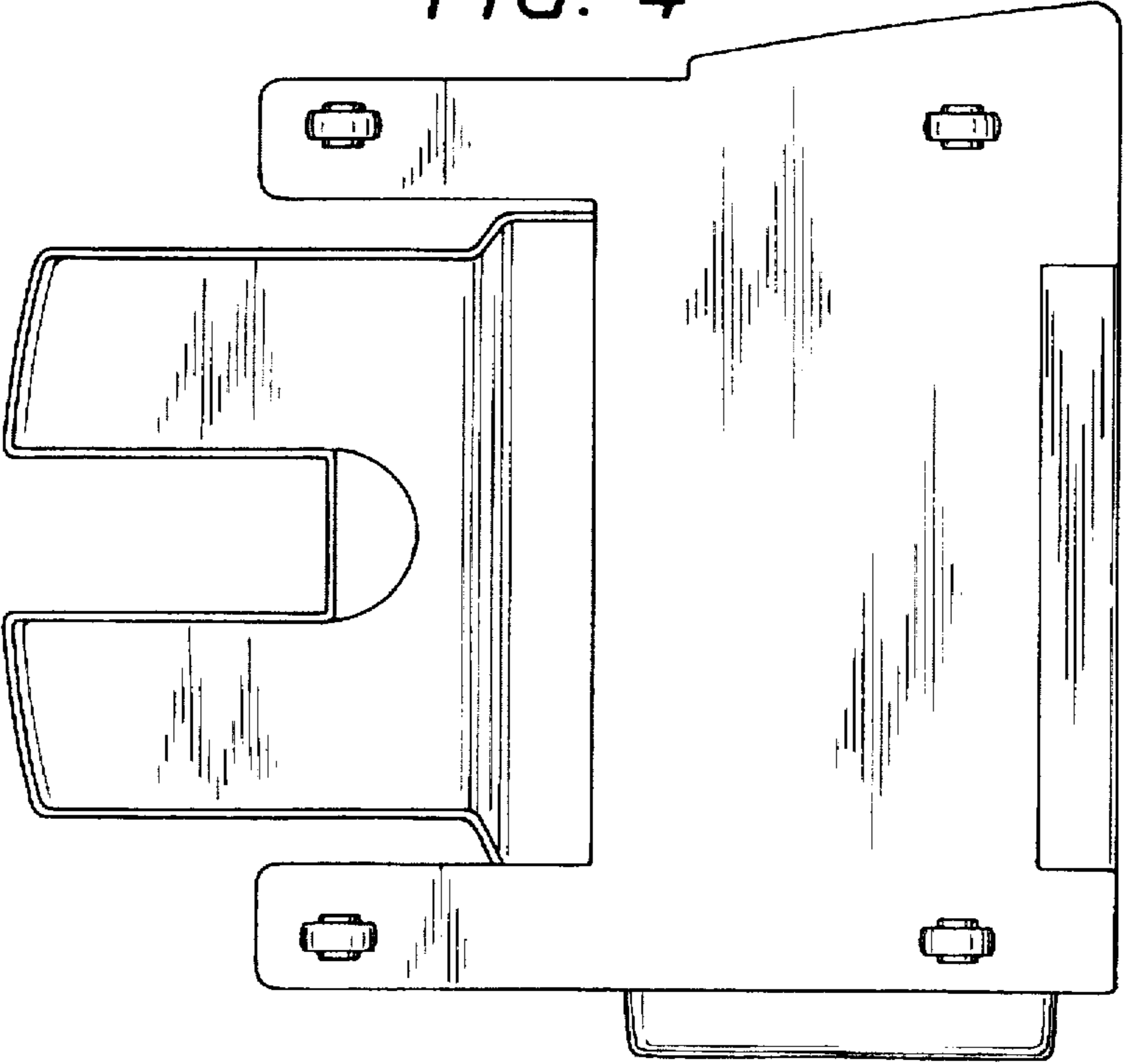


FIG. 5

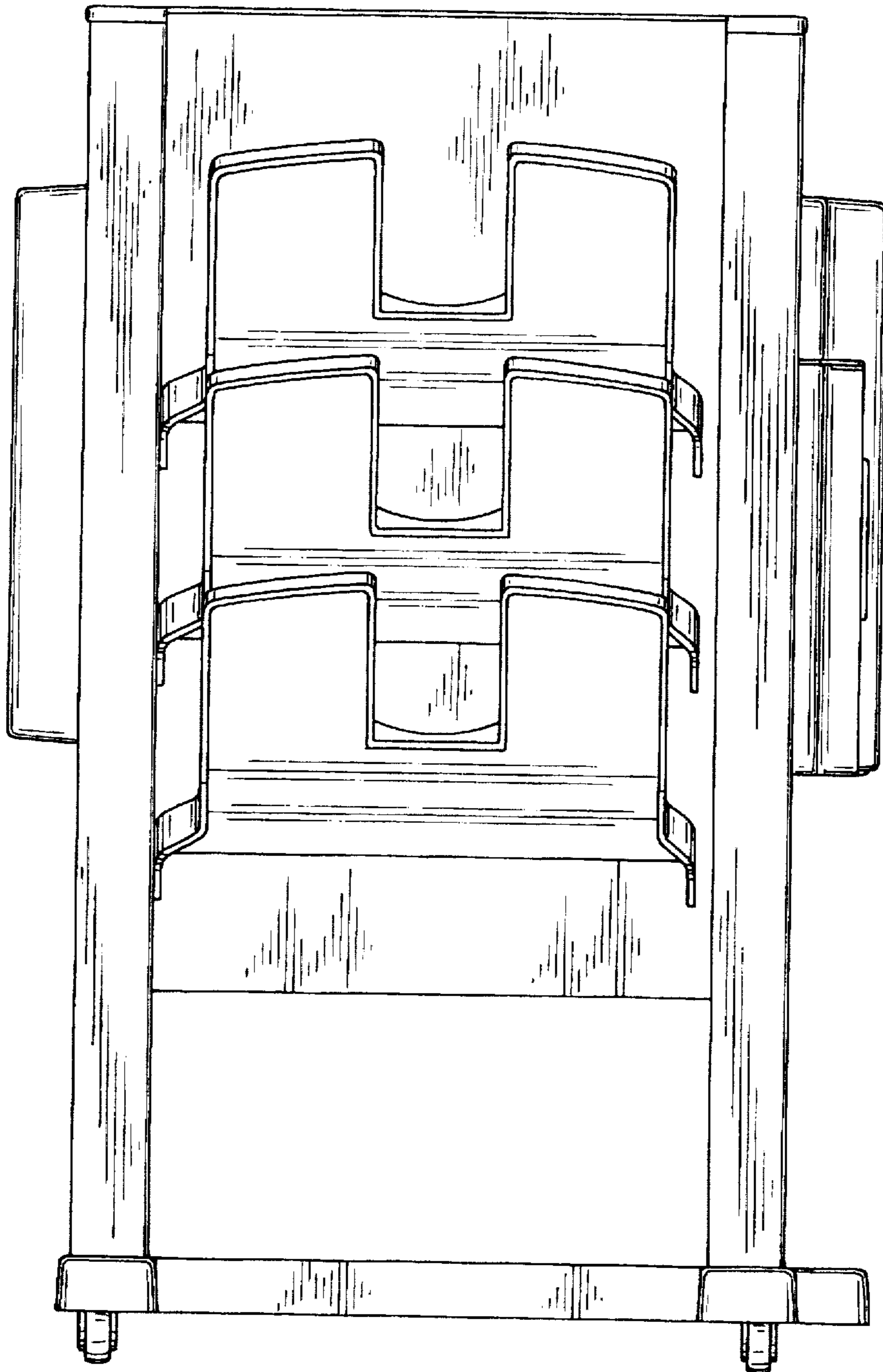


FIG. 6

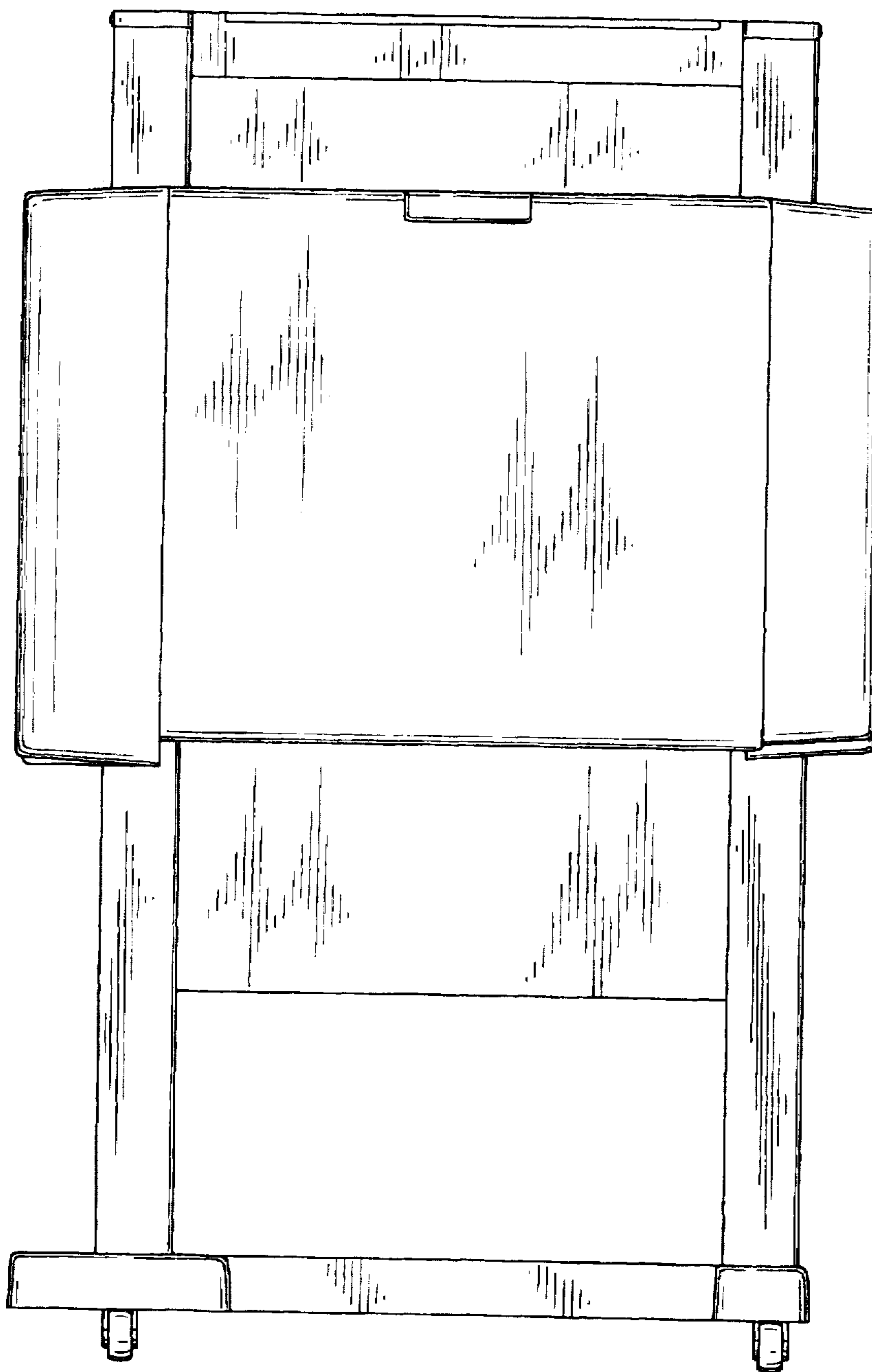


FIG. 7

