



US00D396869S

# United States Patent [19]

Yamakawa et al.

[11] Patent Number: Des. 396,869

[45] Date of Patent: \*\*Aug. 11, 1998

[54] TELEVISION CAMERA

[75] Inventors: Yasuki Yamakawa; Kiyoshi Mitani,  
both of Kanagawa, Japan

[73] Assignee: Matsushita Electric Industrial Co.,  
Ltd., Japan

[\*\*] Term: 14 Years

[21] Appl. No.: 75,283

[22] Filed: Aug. 18, 1997

[30] Foreign Application Priority Data

Mar. 11, 1997 [JP] Japan ..... 9-7193

[51] LOC (6) Cl. .... 16-01

[52] U.S. Cl. .... D16/202

[58] Field of Search ..... D16/200-206;  
D14/107, 130; 348/14-20, 143, 373-376;  
358/906, 909.1; 396/419, 427, 535-543;  
379/53

[56] References Cited

U.S. PATENT DOCUMENTS

D. 315,742 3/1991 Matsumoto ..... D16/208

D. 367,488 2/1996 Takano et al. .... D16/202

D. 374,023 9/1996 Beck et al. .... D16/202

D. 386,505 11/1997 Maeyama ..... D16/202

5,633,681 5/1997 Baxter et al. .... 348/373

### FOREIGN PATENT DOCUMENTS

8-102882 4/1996 Japan ..... H04N 5/225

### OTHER PUBLICATIONS

Harris Corporation Catalog, Cover page, 1990.

Primary Examiner—Ted Shooman  
Assistant Examiner—Adir Aronovich  
Attorney, Agent, or Firm—Saidman DesignLaw Group

### [57] CLAIM

The ornamental design for a television camera, as shown and described.

### DESCRIPTION

FIG. 1 is a perspective view of the top, front and right side of a television camera showing our new design;  
FIG. 2 is a front elevational view thereof;  
FIG. 3 is a right side view thereof;  
FIG. 4 is a top plan view thereof;  
FIG. 5 is a bottom view thereof;  
FIG. 6 is a rear elevational view thereof; and,  
FIG. 7 is a reduced perspective view thereof, the broken lines shown are for illustrative purposes only and form no part of the claimed design.

1 Claim, 3 Drawing Sheets

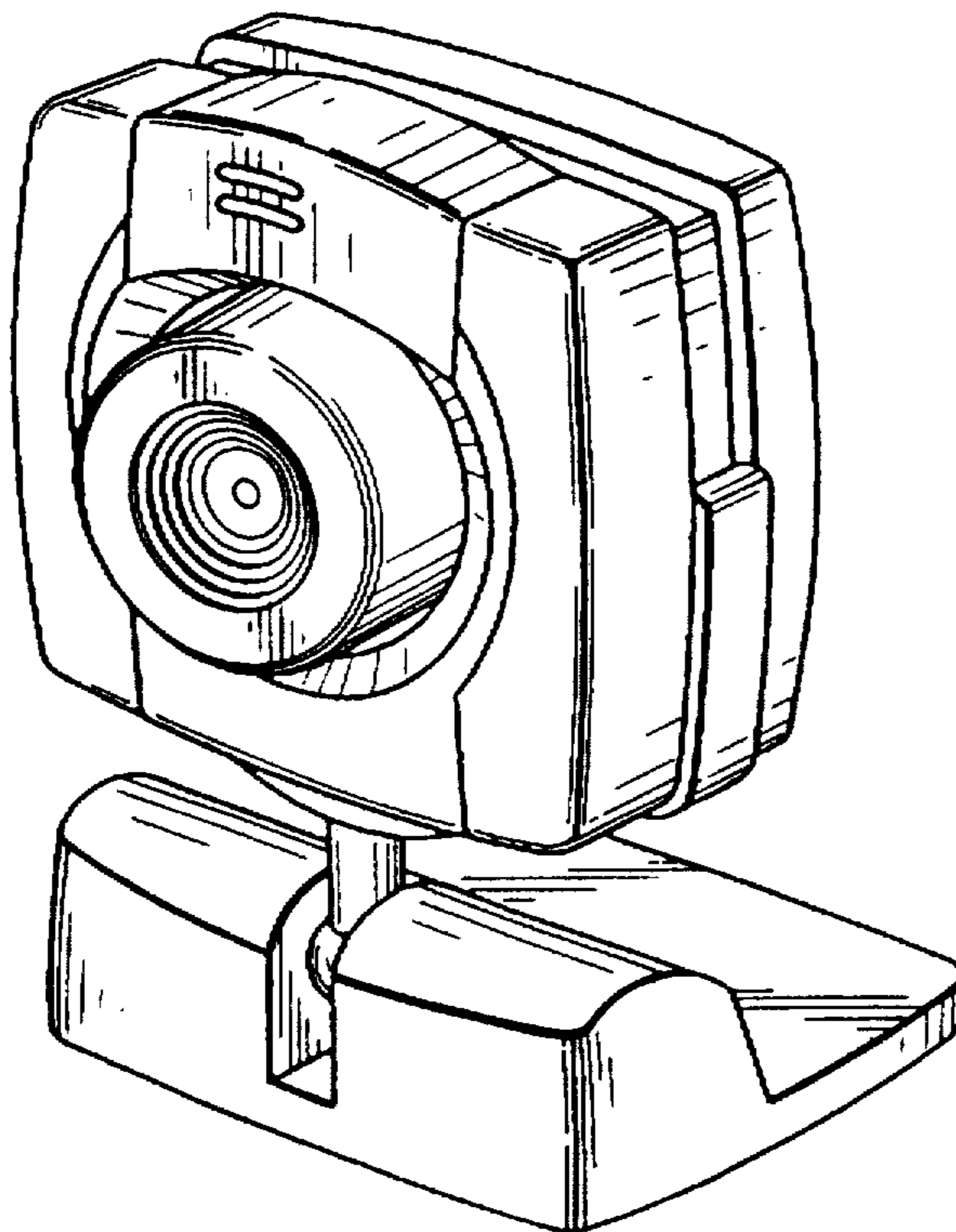


FIG. 1

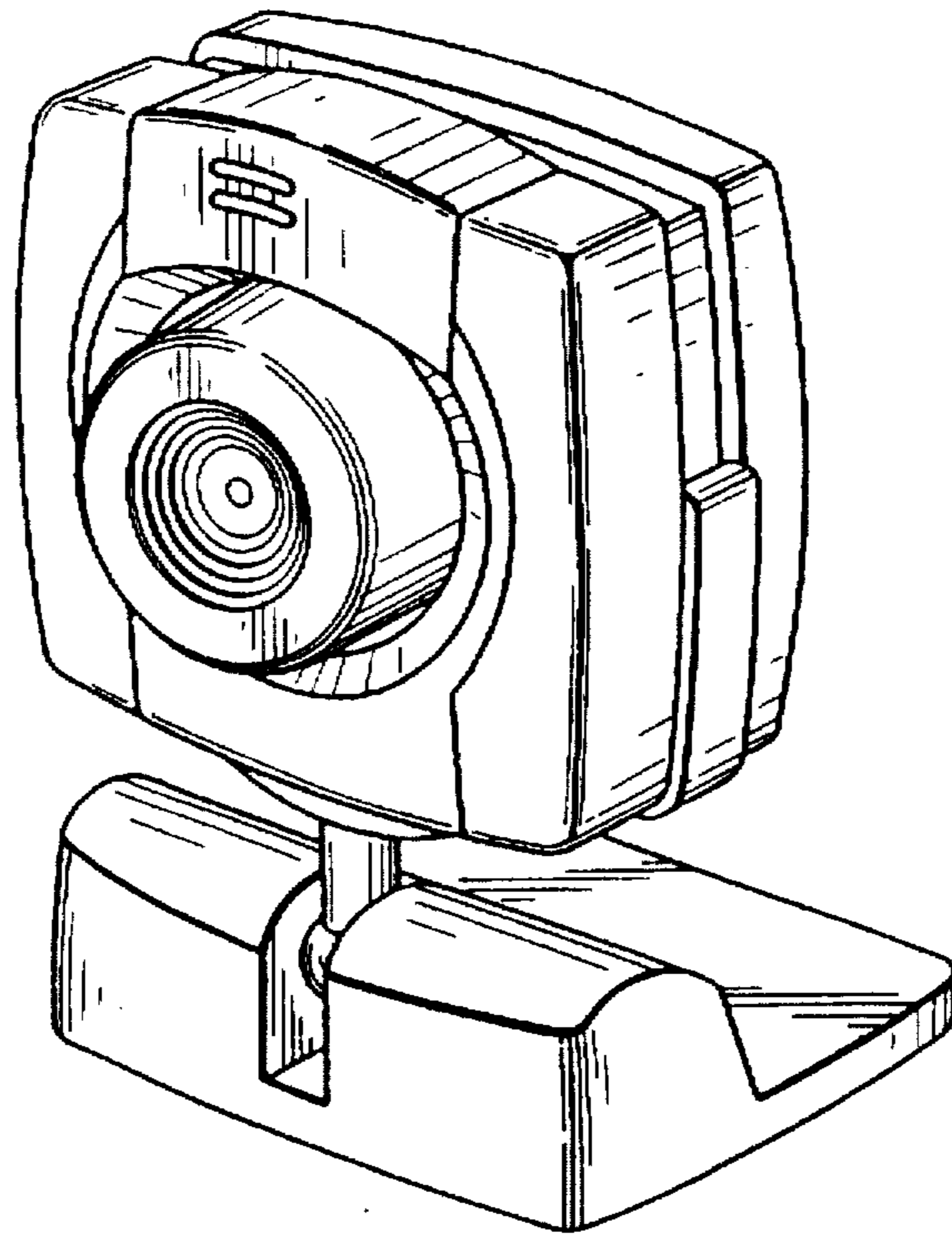


FIG. 2

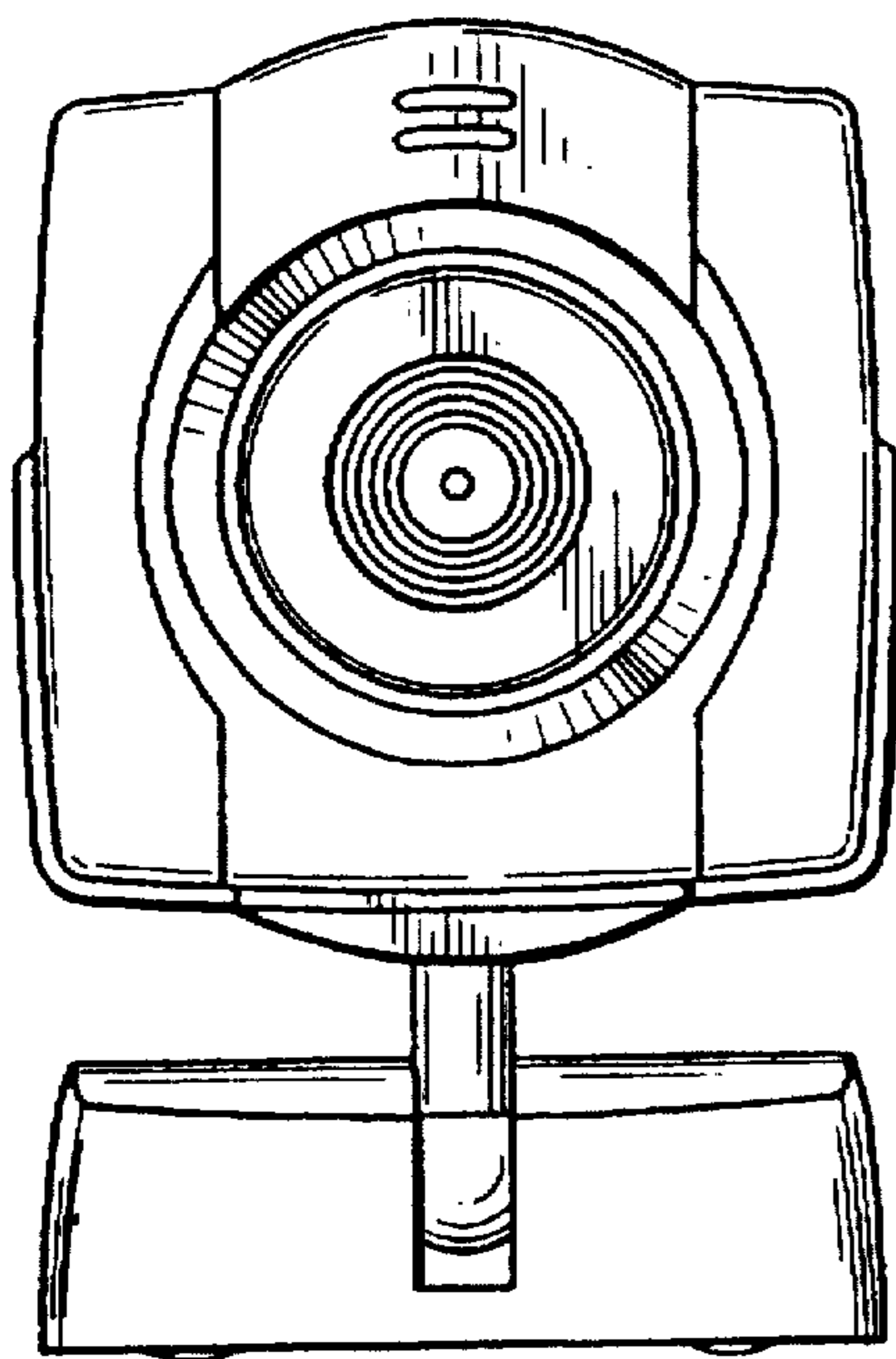
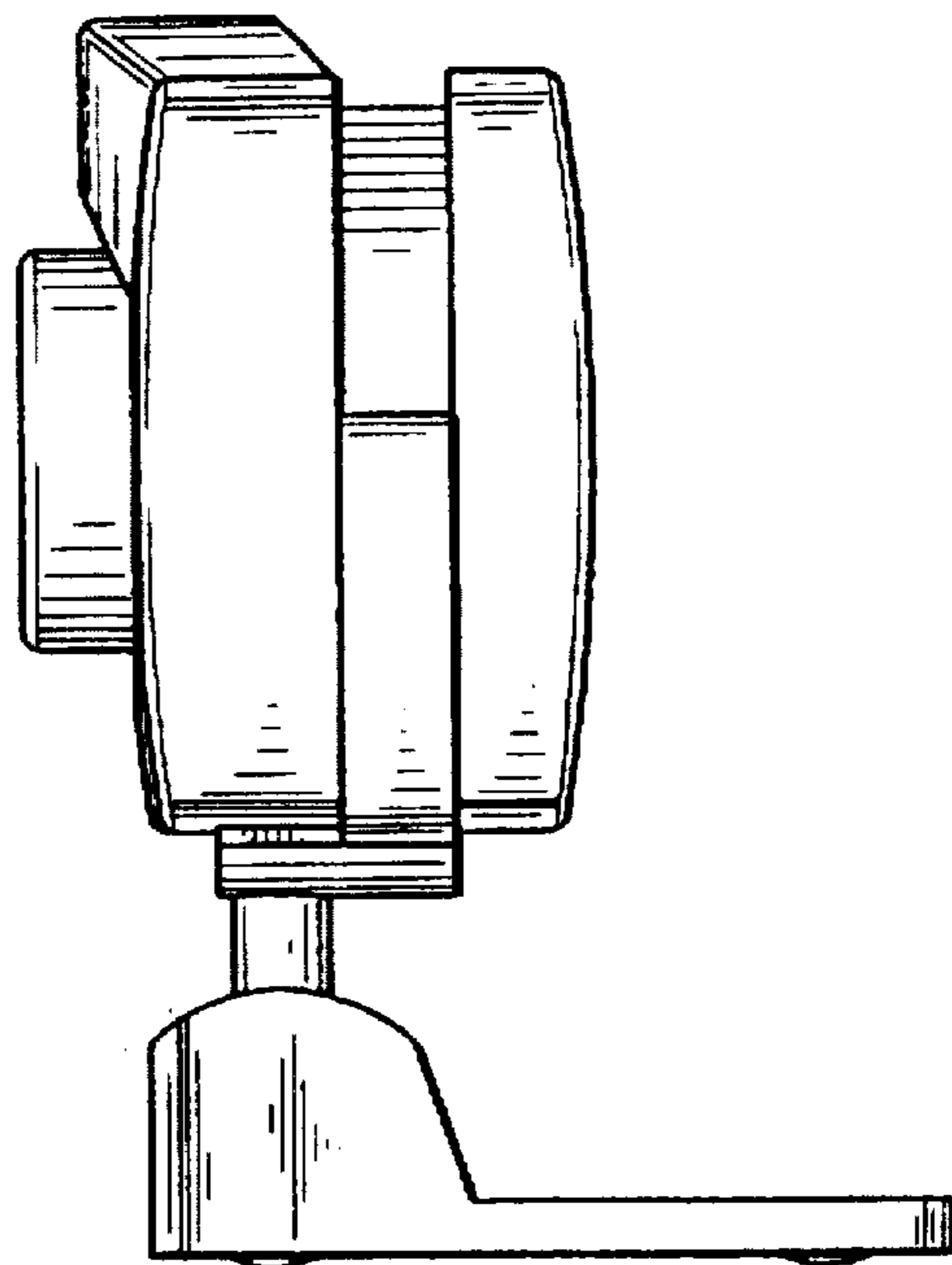
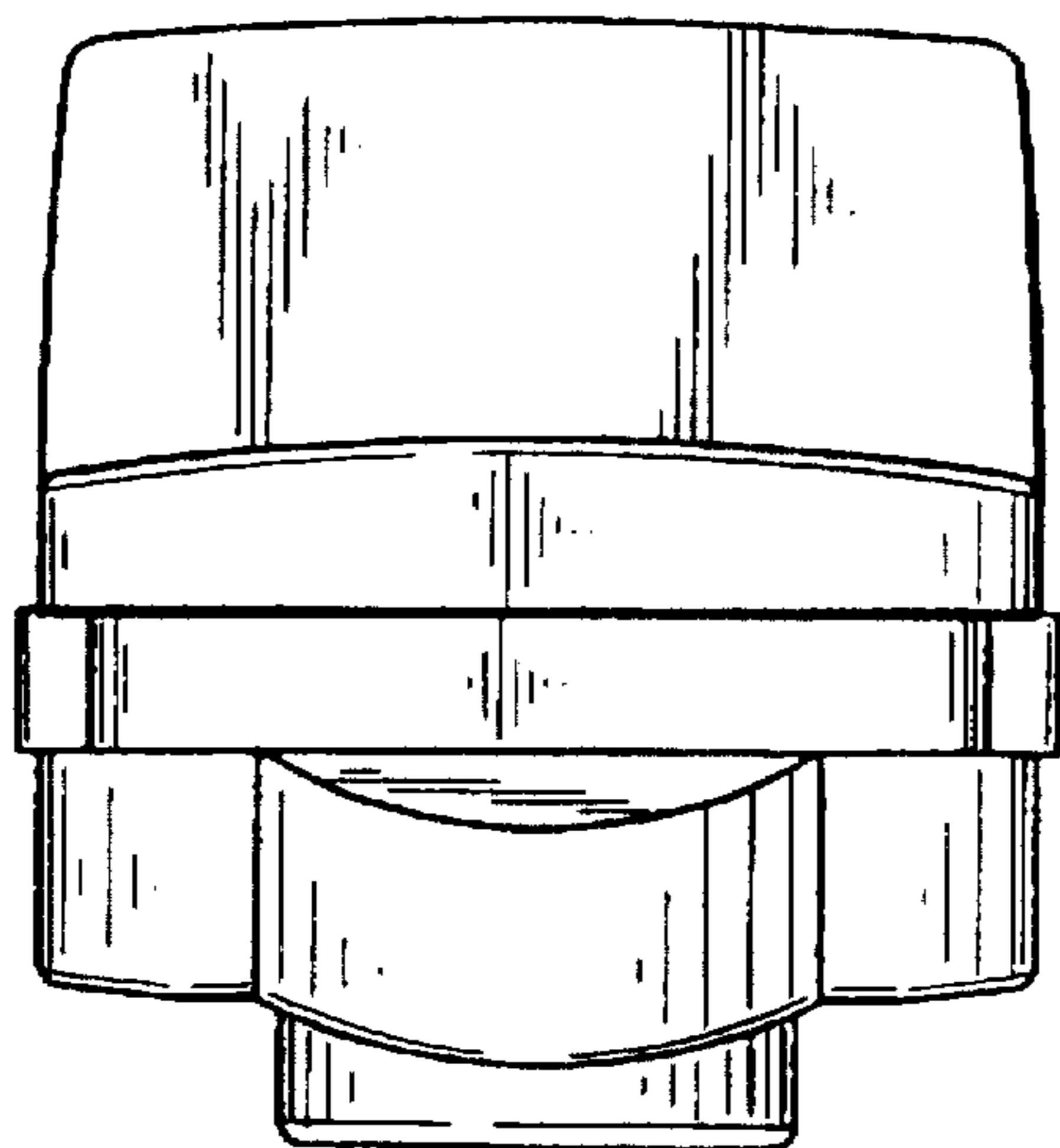


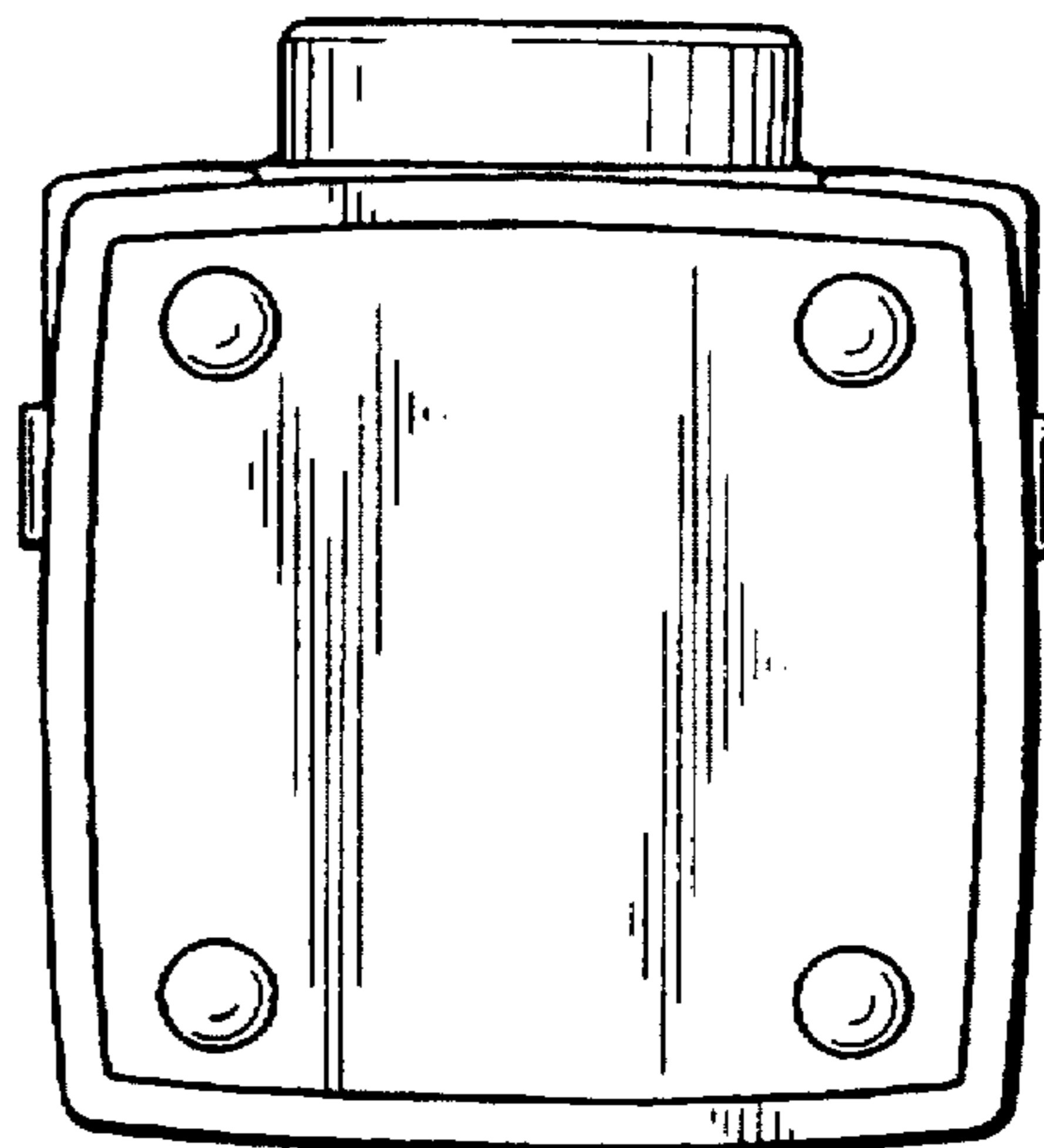
FIG. 3



*FIG. 4*



*FIG. 5*



*FIG. 6*

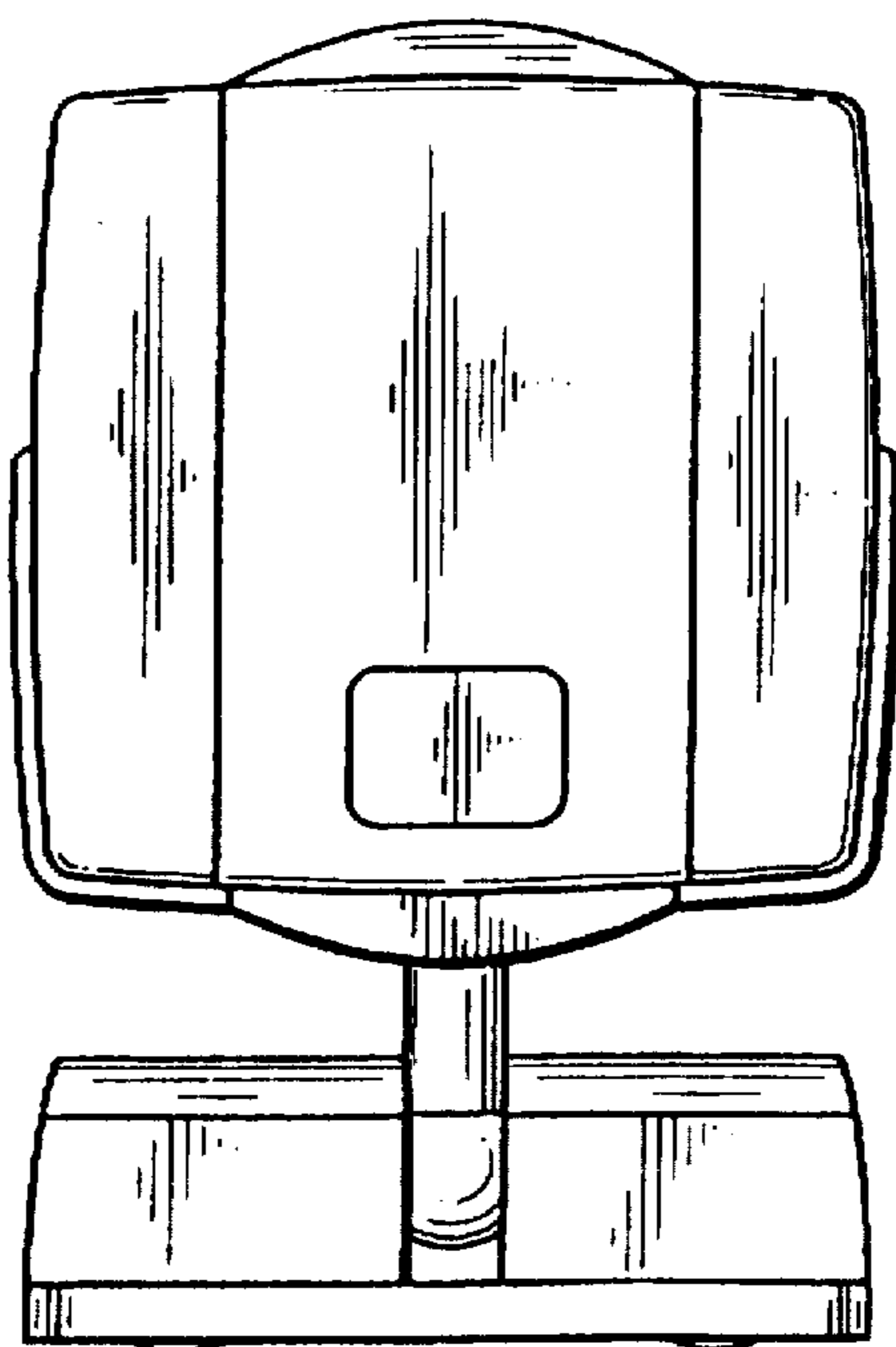


FIG. 7

