



US00D396862S

United States Patent [19]

Morgan

[11] Patent Number: Des. 396,862

[45] Date of Patent: **Aug. 11, 1998

[54] **MICROPHONE FILTER**

[76] Inventor: **Parris Morgan**, 14505 Berry Rd.,
Accokeek, Md. 20607

[**] Term: **14 Years**

[21] Appl. No.: **76,745**

[22] Filed: **Sep. 22, 1997**

[51] LOC (6) Cl. **14-01**

[52] U.S. Cl. **D14/225**

[58] Field of Search D6/512, 513; D8/363,
D8/373; D14/206, 225-229, 299; 181/158,
242; 248/310, 323, 324, 329, 637, 670;
381/91, 122, 168, 169; 379/430, 431

[56] **References Cited**

U.S. PATENT DOCUMENTS

D. 309,562	7/1990	Boscacci et al.	D8/373
D. 311,679	10/1990	Morris	D8/373
D. 377,897	2/1997	Vogels	D6/513 X
1,682,409	8/1928	Nyman .	
2,106,813	2/1938	Romanon .	
2,623,957	12/1952	Cragg et al. .	
4,065,087	12/1977	Solden	248/310 X
4,212,219	7/1980	Hubbard .	
4,570,746	2/1986	Das et al. .	

4,768,614	9/1988	Case .	
4,776,019	10/1988	Miyatake	181/158 X
4,975,966	12/1990	Sapiejewski .	
5,255,884	10/1993	O'Neill	248/329
5,621,846	4/1997	Smith et al.	248/324 X

Primary Examiner—Ted Shooman
Assistant Examiner—Nanda Bondade
Attorney, Agent, or Firm—Robert N. Blackmon

[57] **CLAIM**

The ornamental design for a microphone filter, as shown and described.

DESCRIPTION

FIG. 1 is a perspective view of a microphone filter showing my new design;
FIG. 2 is a front elevational view thereof;
FIG. 3 is a right side elevational view;
FIG. 4 is a top view thereof;
FIG. 5 is a rear elevational view thereof;
FIG. 6 is a left side elevational view; and,
FIG. 7 is a bottom view thereof.

The broken line showing of a side firing microphone on FIG. 1 is for illustrative purposes only and forms no part of the claimed design.

1 Claim, 3 Drawing Sheets

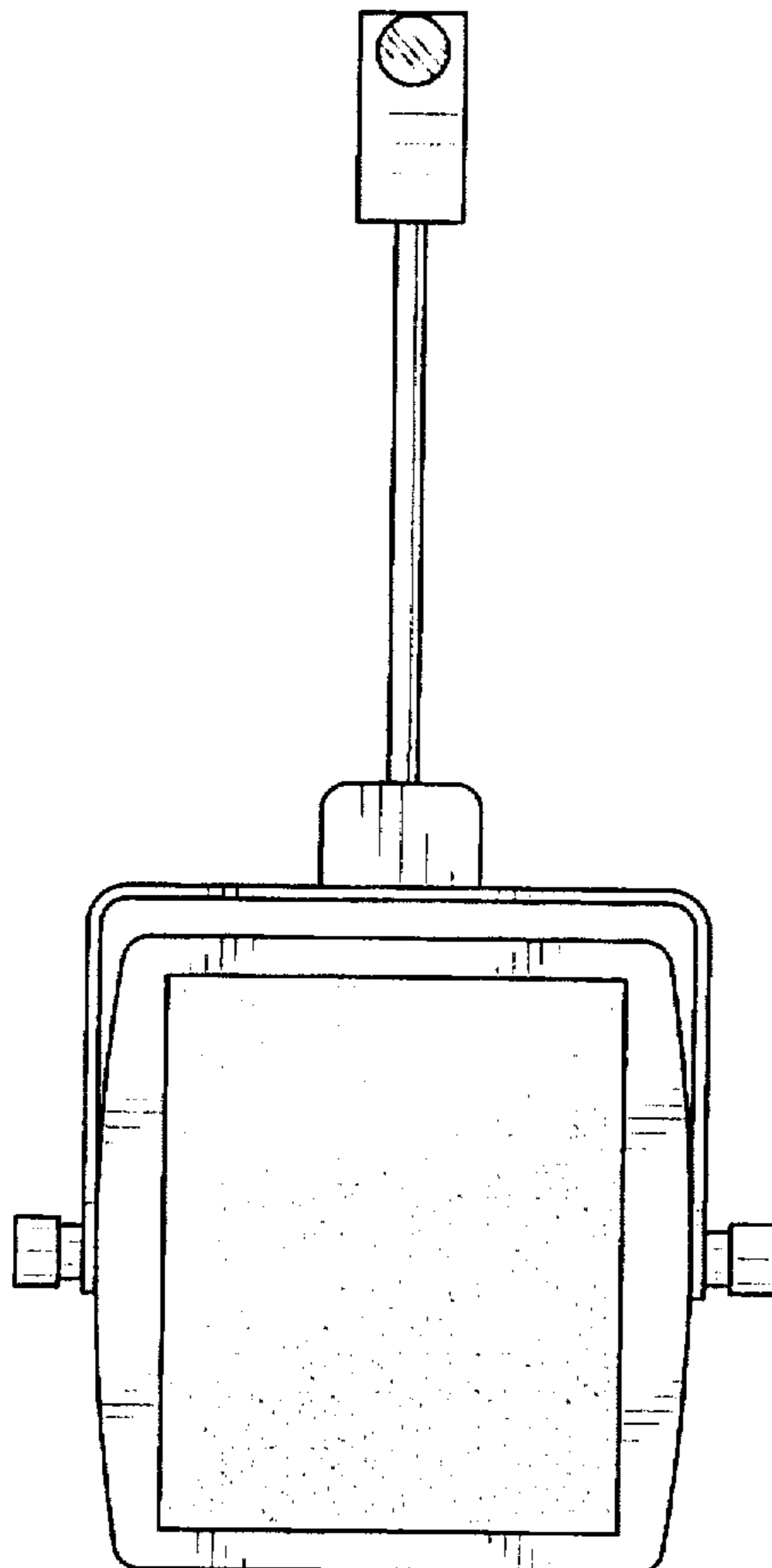
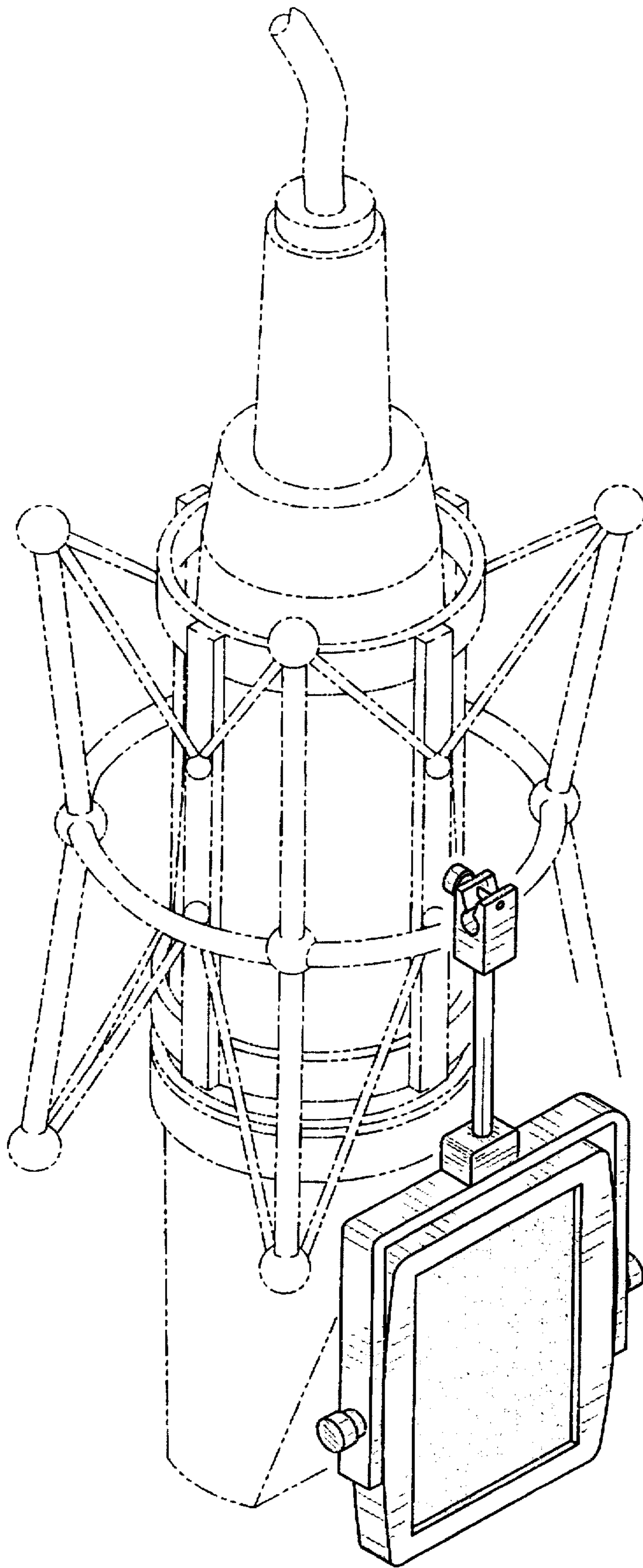


FIG. 1



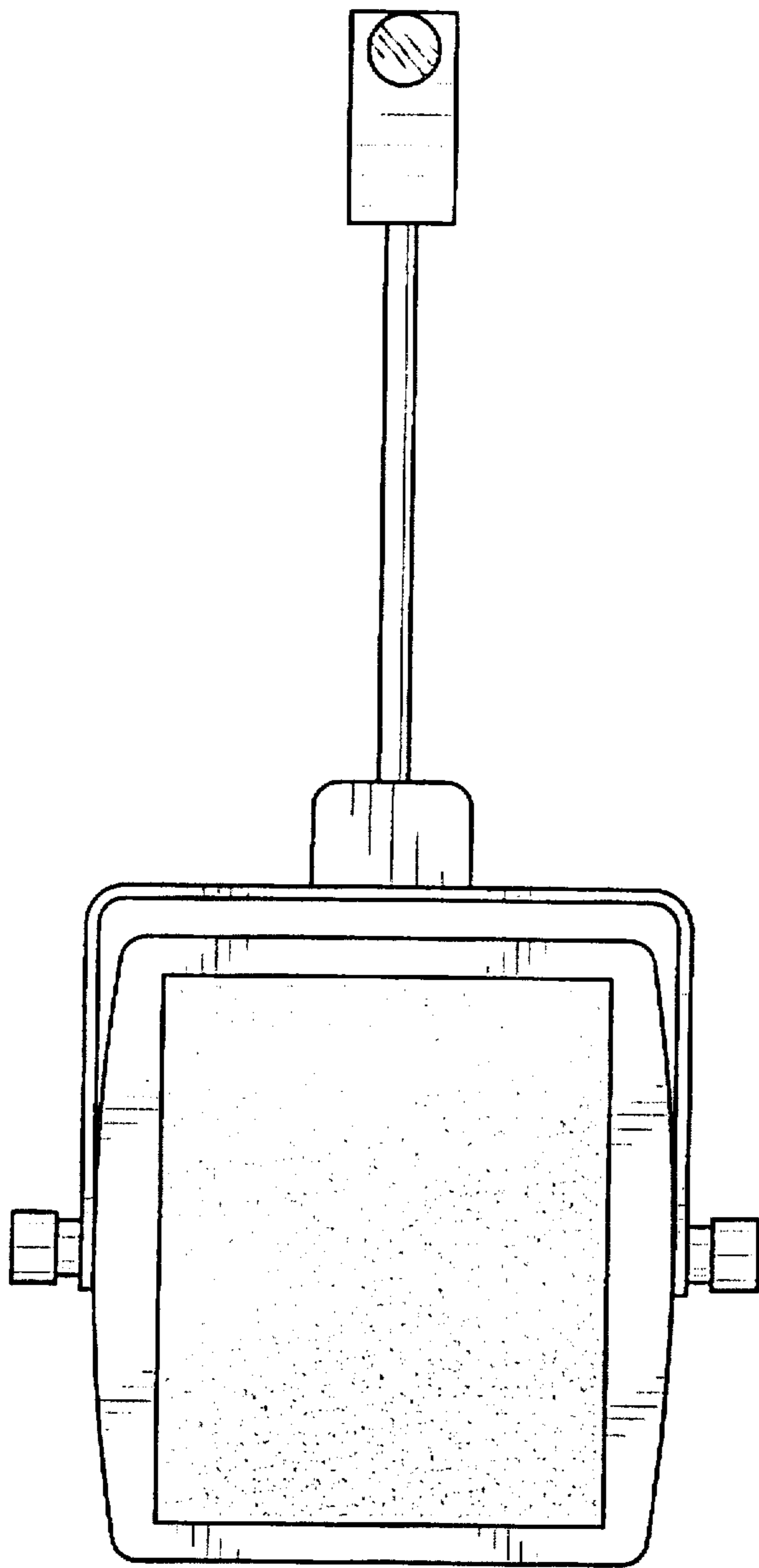


FIG. 2

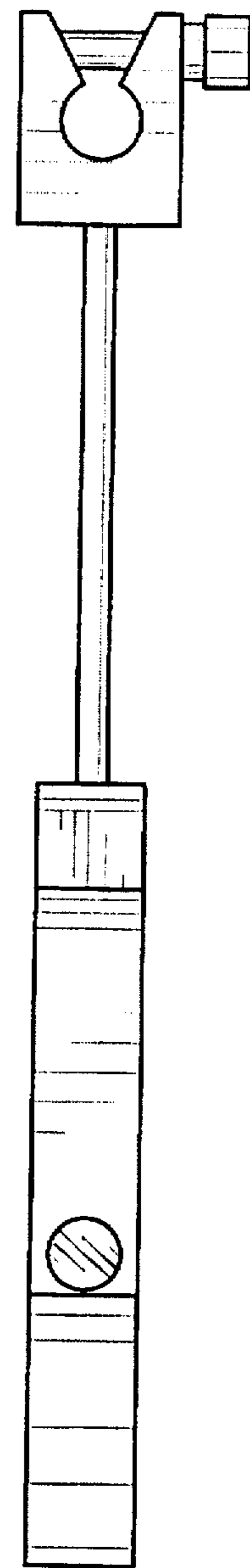


FIG. 3

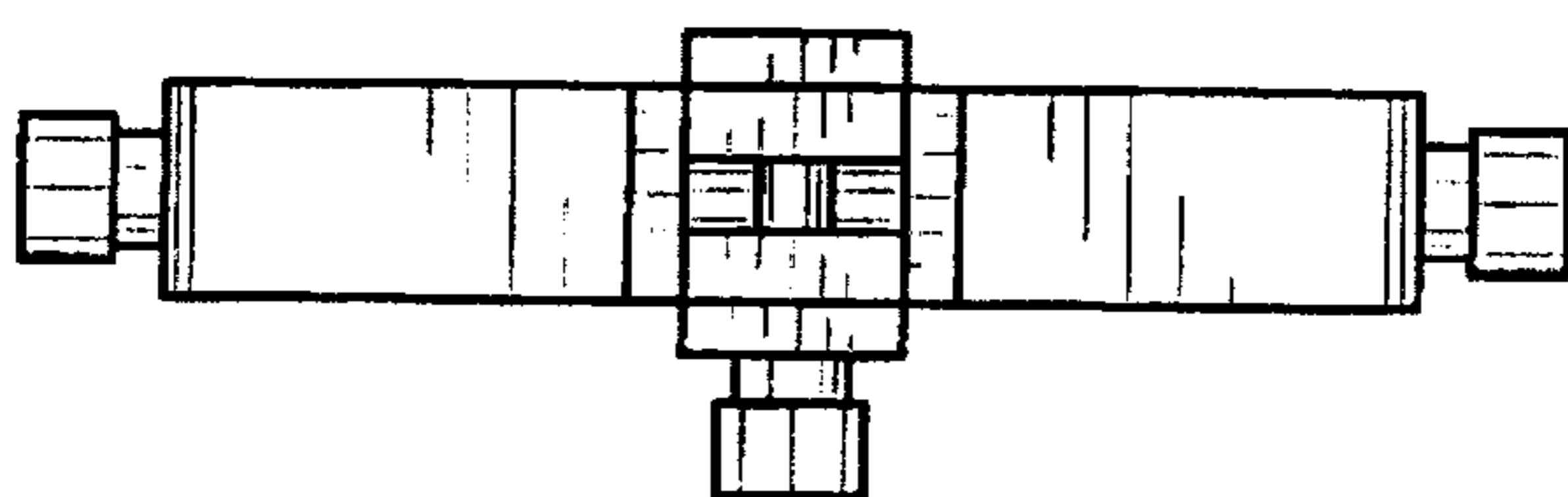


FIG. 4

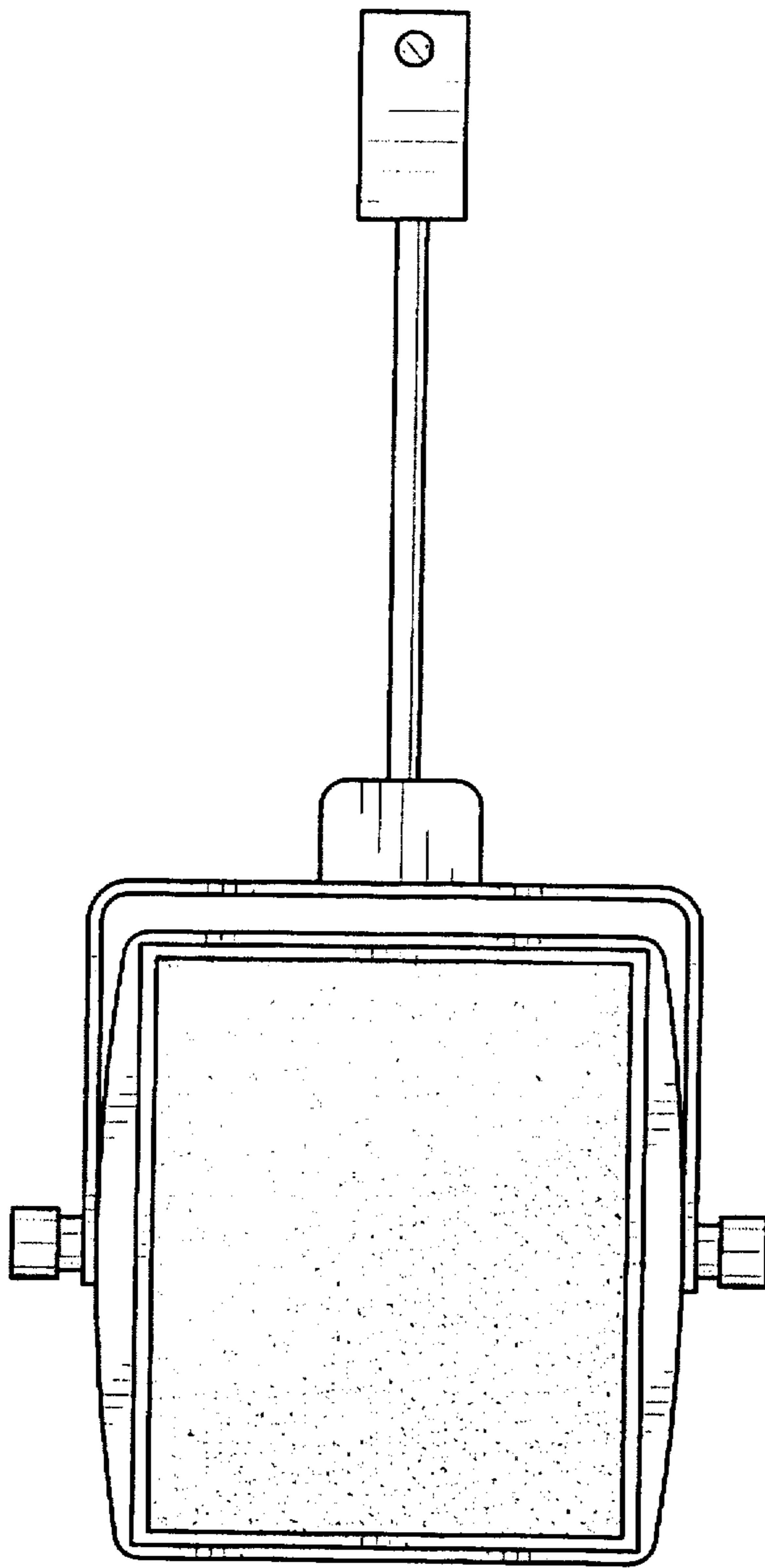


FIG. 5

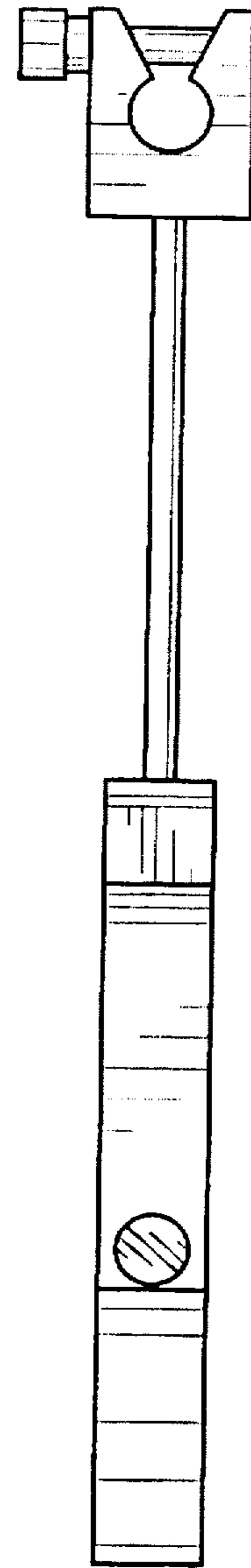


FIG. 6

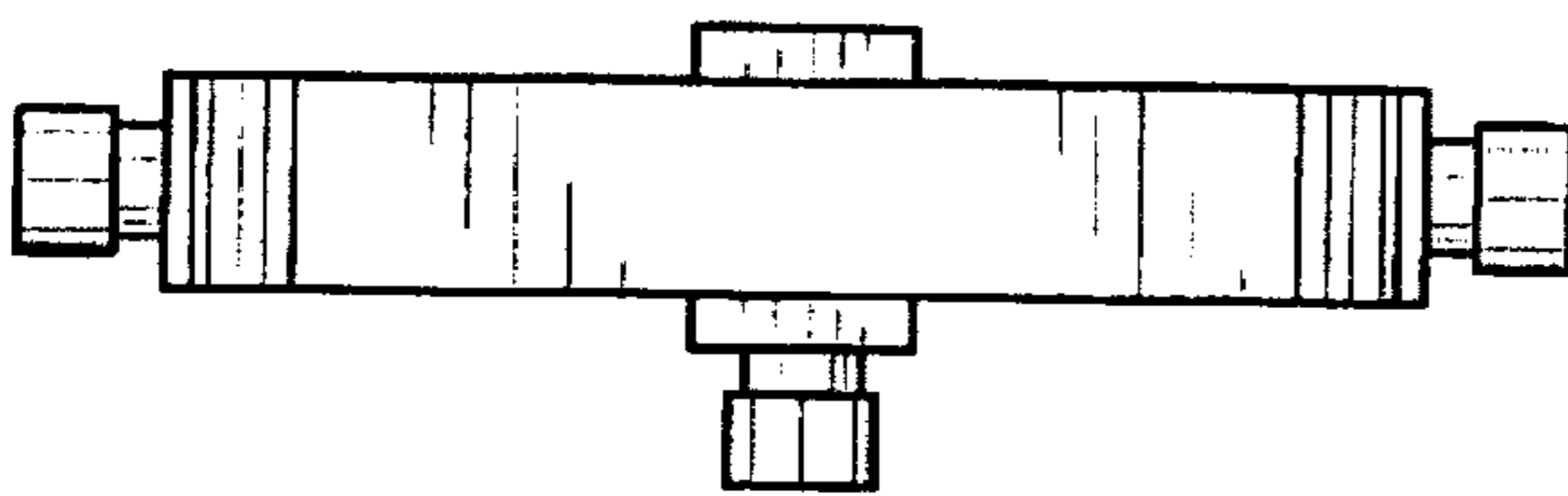


FIG. 7