



US00D396859S

United States Patent [19]

Isonaga

[11] Patent Number: Des. 396,859

[45] Date of Patent: **Aug. 11, 1998

[54] OPTICAL MAGNETIC DISC PLAYER
COMBINED WITH RADIO RECEIVER AND
TAPE RECORDER

[75] Inventor: Yasuaki Isonaga, Tokyo, Japan

[73] Assignee: Sony Kabushiki Kaisha, Tokyo, Japan

[**] Term: 14 Years

[21] Appl. No.: 58,042

[22] Filed: Aug. 8, 1996

[30] Foreign Application Priority Data

Feb. 16, 1996 [JP] Japan 8-3658

[51] LOC (6) Cl. 14-01

[52] U.S. Cl. D14/168

[58] Field of Search D14/124, 160-168,
D14/188, 156; 455/344, 347-351

[56] References Cited

U.S. PATENT DOCUMENTS

- D. 316,715 5/1991 Shibata D14/162 X
- D. 322,067 12/1991 Yamakawa D14/168
- D. 327,684 7/1992 Totsuka D14/168
- D. 350,960 9/1994 Sakata et al. D14/188 X
- D. 365,822 1/1996 Ito et al. D14/168

Primary Examiner—Sandra L. Morris
Assistant Examiner—Nanda Bondade
Attorney, Agent, or Firm—Morgan & Finnegan LLP

[57] CLAIM

The ornamental design for the optical magnetic disc player combined with radio receiver and tape recorder, as shown and described.

DESCRIPTION

FIG. 1 is a front perspective view of the optical magnetic disc player combined with radio receiver and tape recorder in accordance with the present invention;

FIG. 2 is another front perspective view thereof, showing the disc player and tape recorder in an open position; the undisclosed inside views of the optical magnetic disc player combined with radio receiver and tape recorder form no part of the claimed design;

FIG. 3 is a another front perspective view of the optical magnetic disc player combined with radio receiver and tape recorder shown in a using condition with the antenna partially withdrawn;

FIG. 4 is a front elevation view of the optical magnetic disc player combined with radio receiver and tape recorder of FIG. 1;

FIG. 5 is a rear elevation view of the optical magnetic disc player combined with radio receiver and tape recorder of FIG. 1;

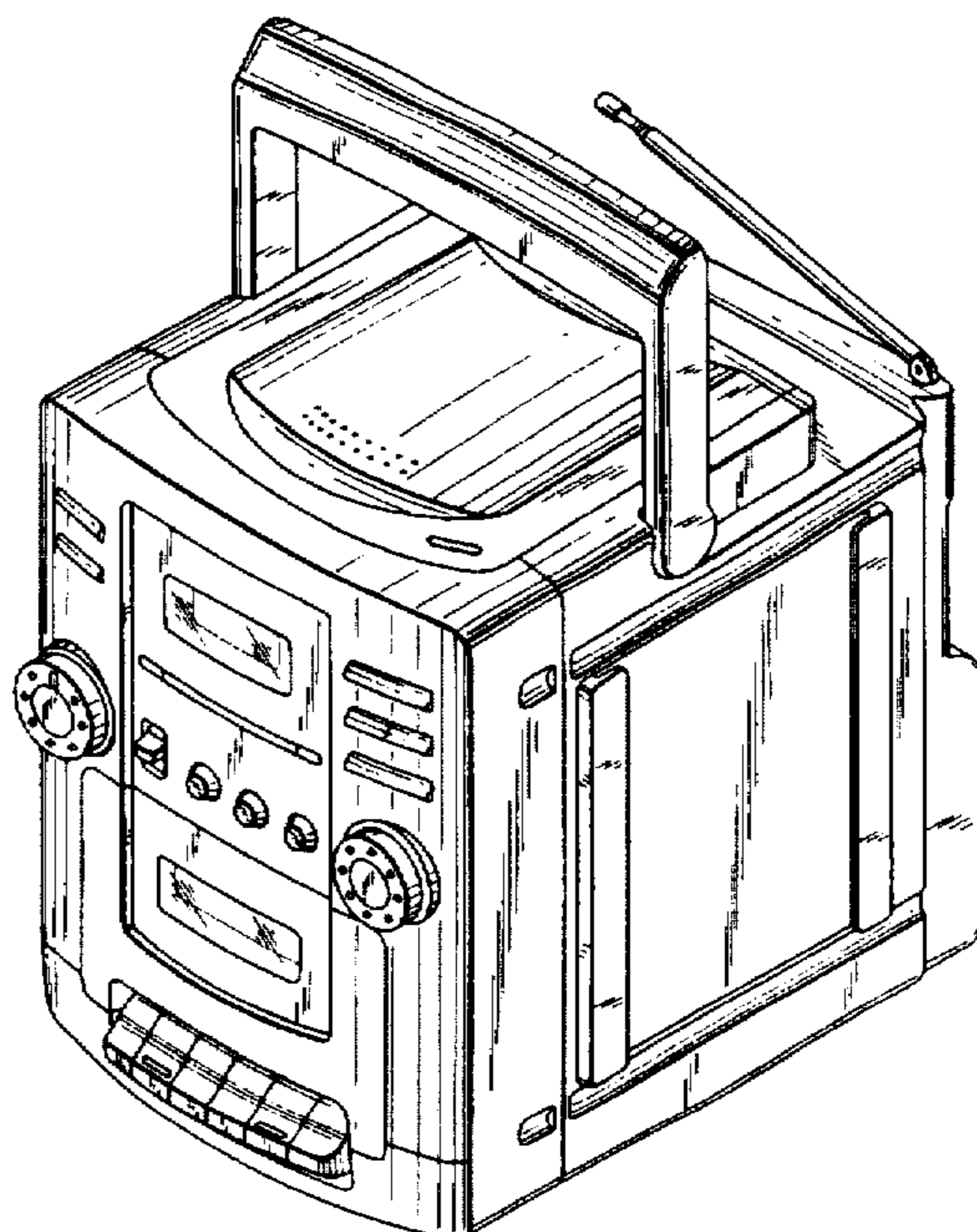
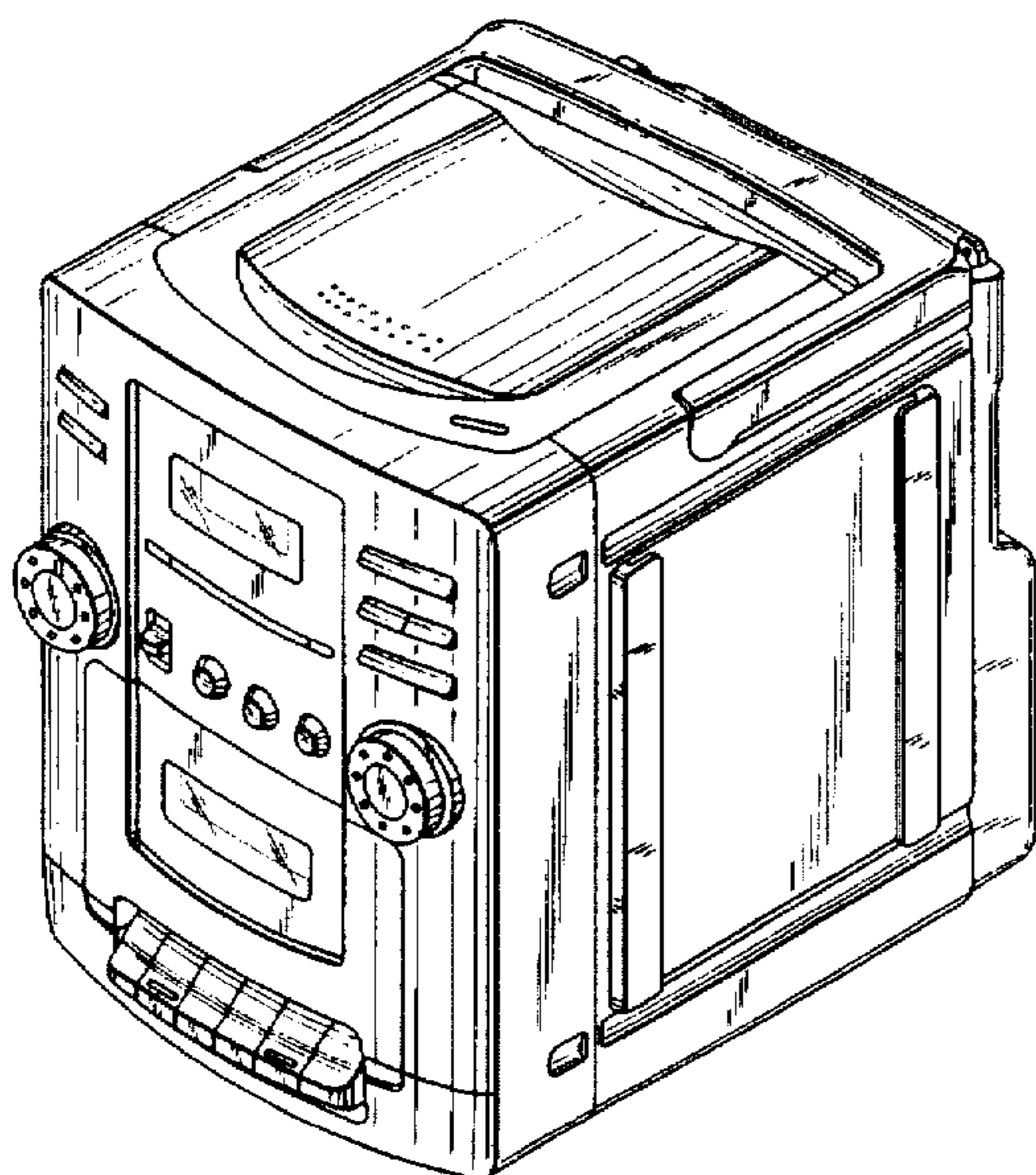
FIG. 6 is a left side elevation view of the optical magnetic disc player combined with radio receiver and tape recorder of FIG. 1;

FIG. 7 is a right side elevation view of the optical magnetic disc player combined with radio receiver and tape recorder of FIG. 1;

FIG. 8 is a plan view of the optical magnetic disc player combined with radio receiver and tape recorder of FIG. 1; and,

FIG. 9 is a bottom plan view of the optical magnetic disc player combined with radio receiver and tape recorder of FIG. 1.

1 Claim, 6 Drawing Sheets



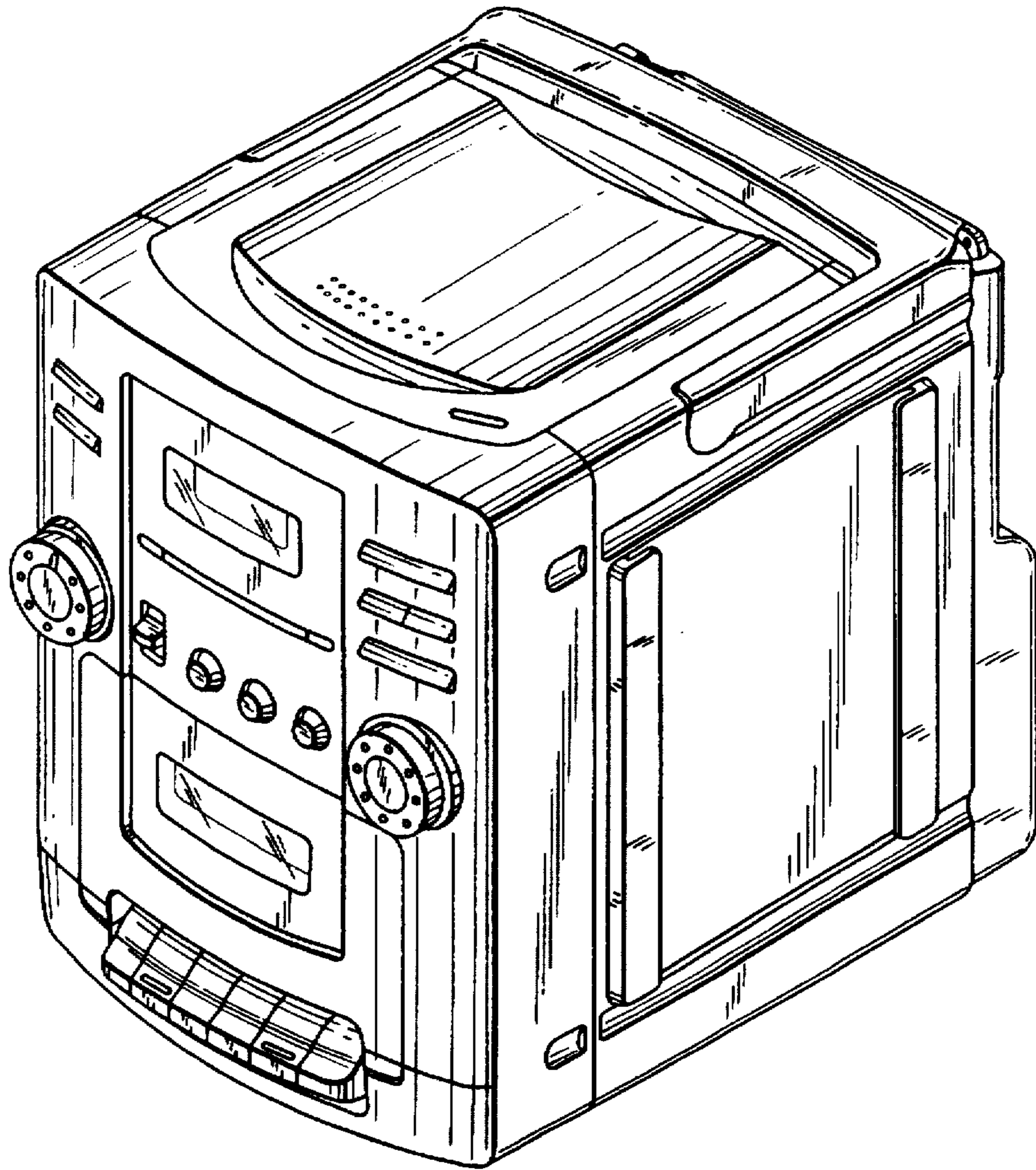


FIG. 1

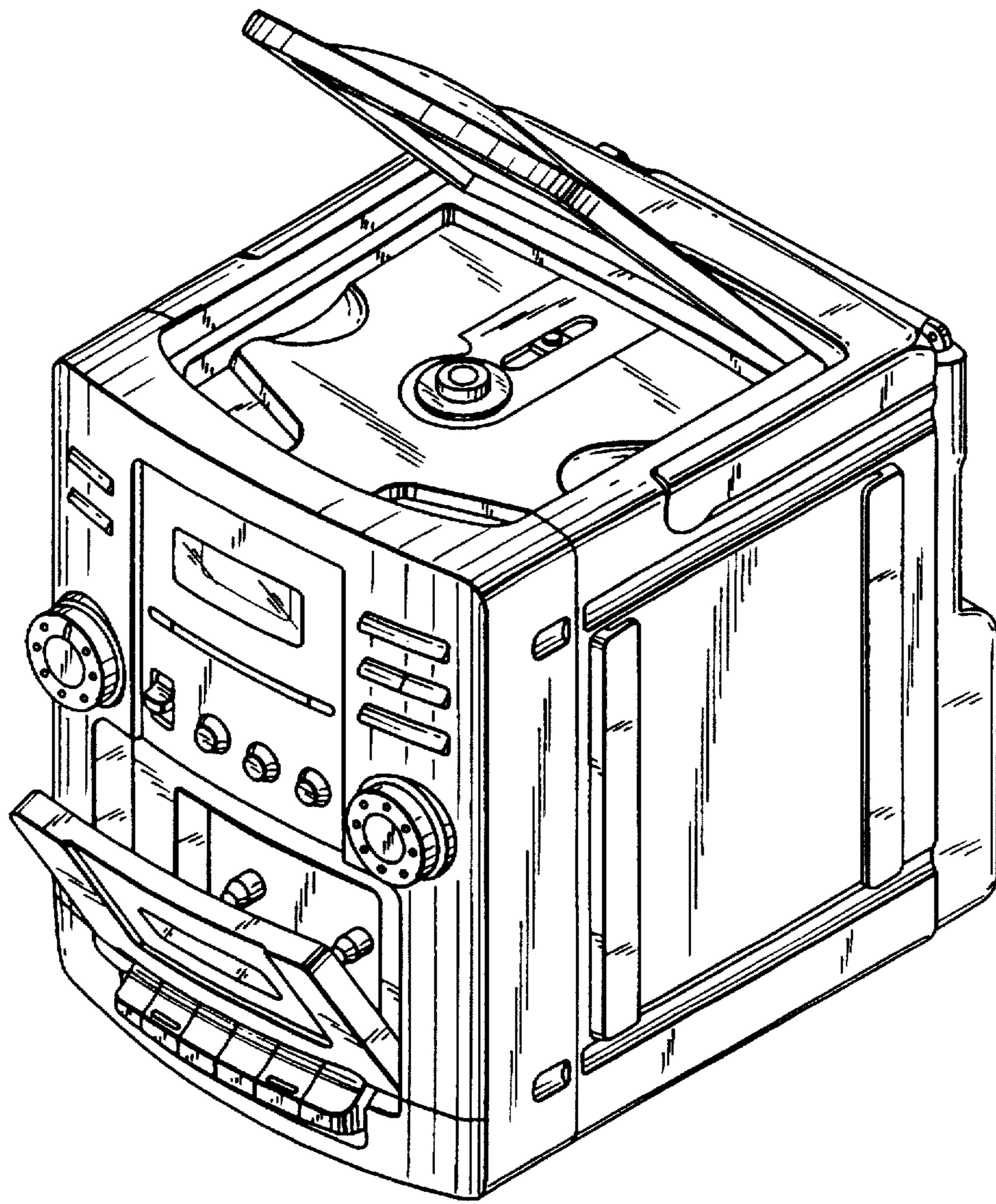


FIG.2

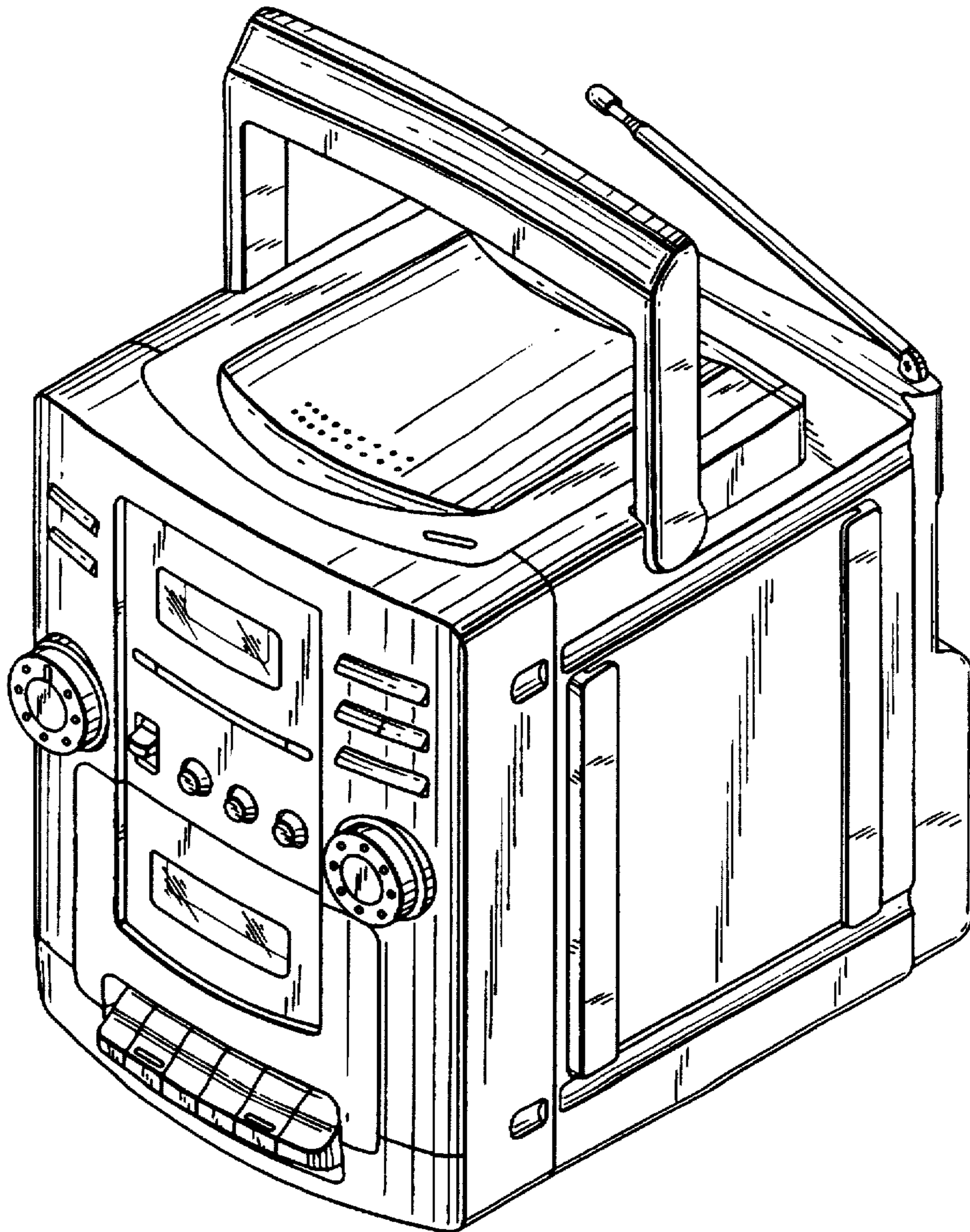


FIG.3

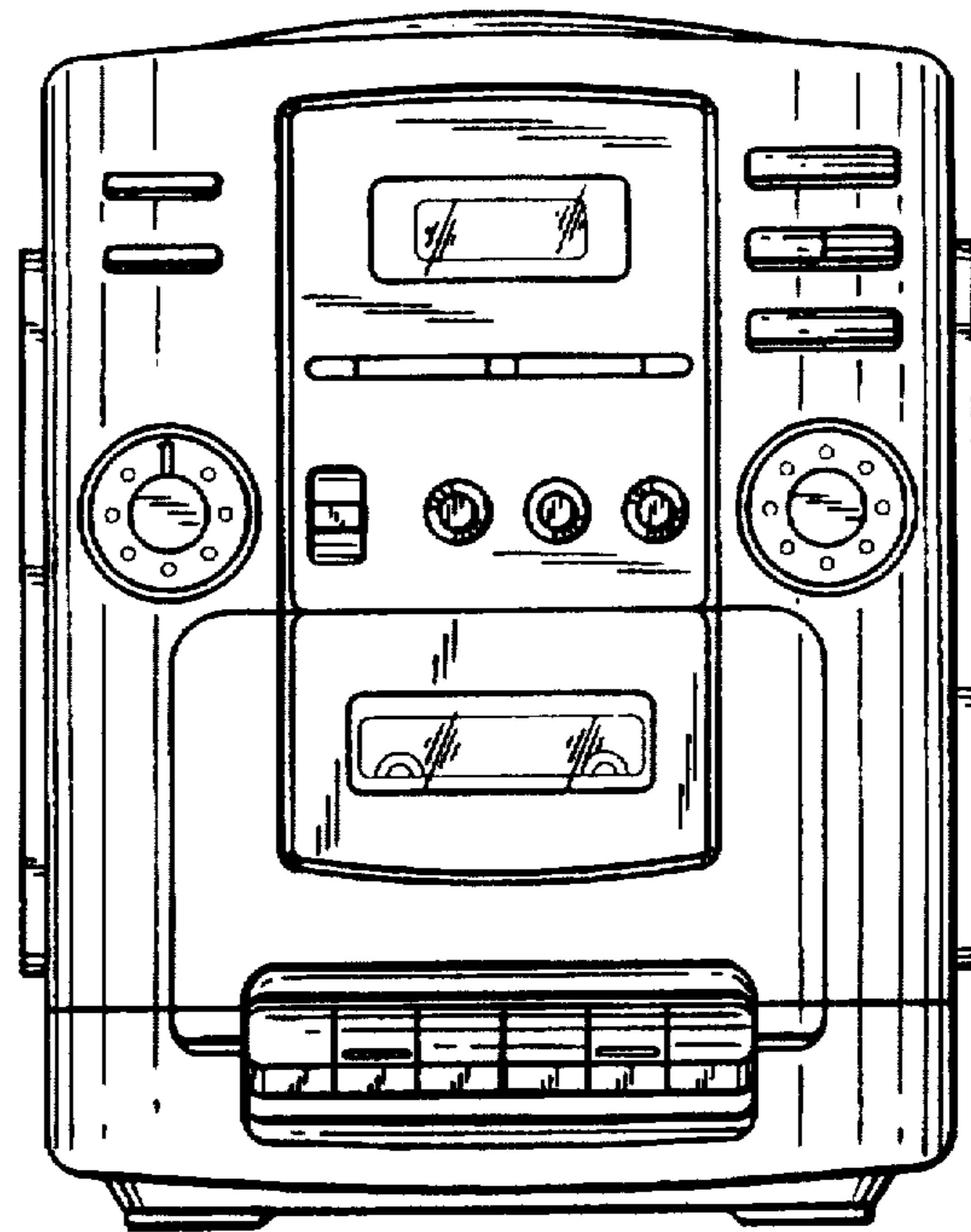


FIG. 4

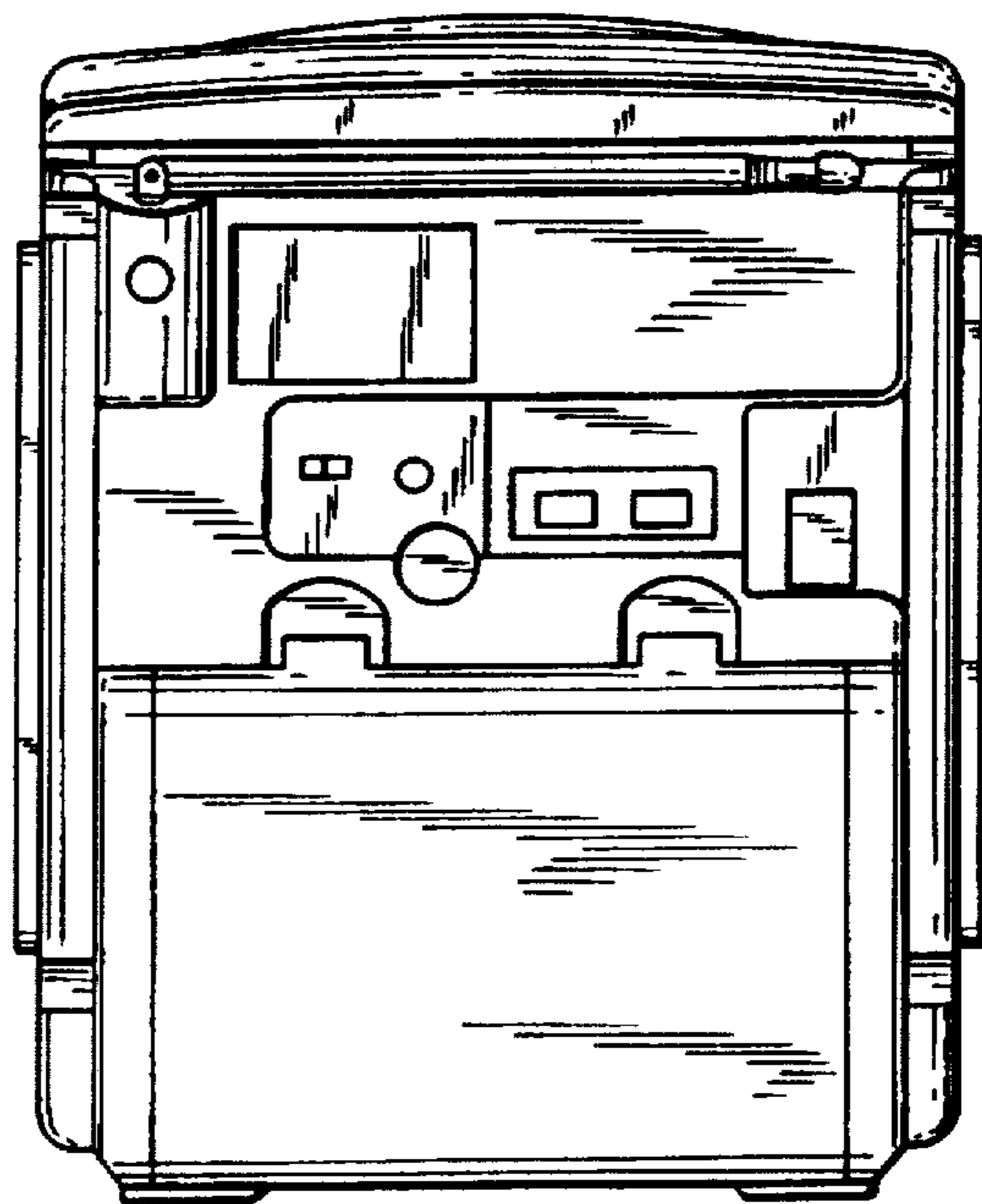


FIG. 5

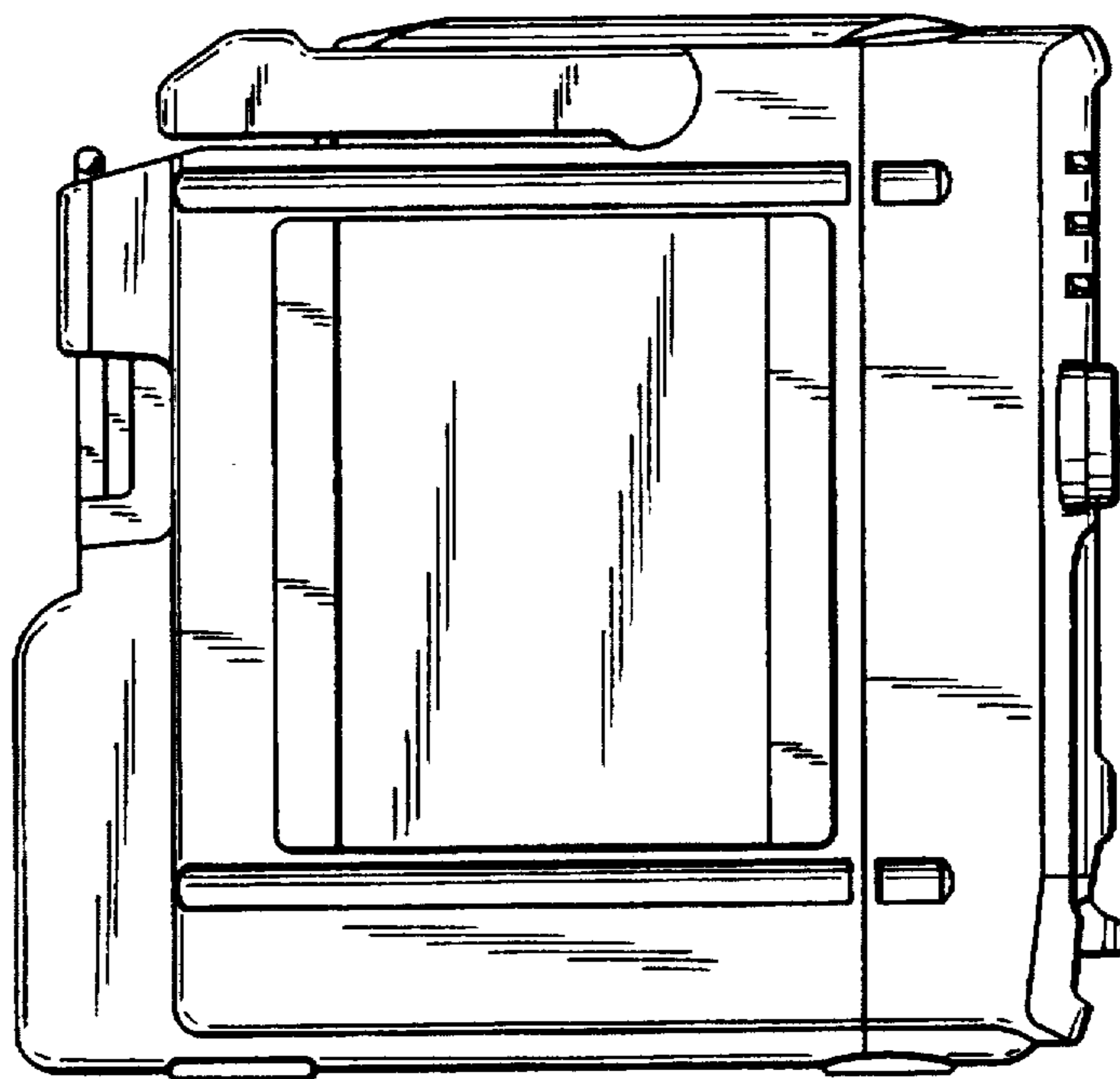


FIG. 6

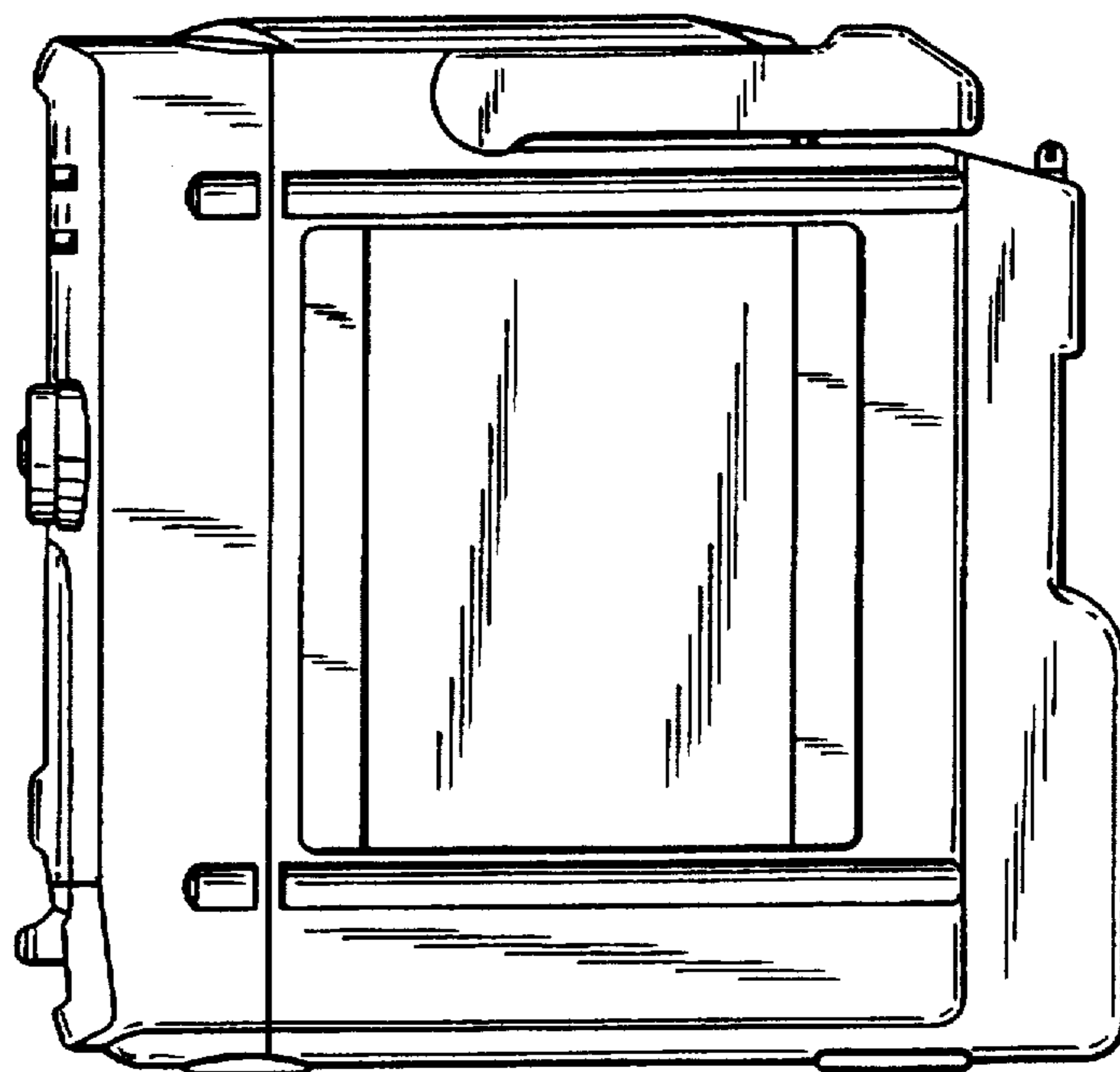


FIG. 7

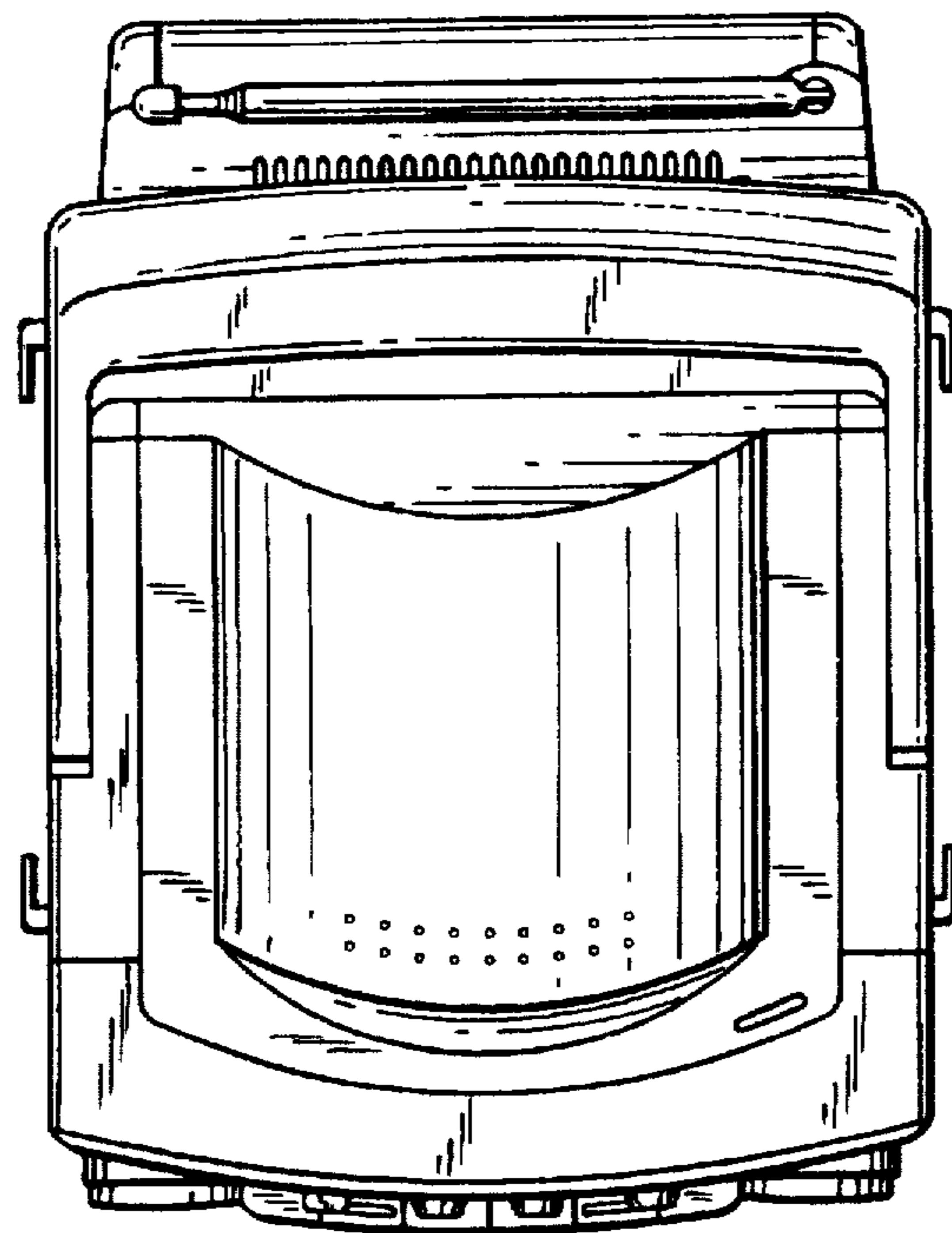


FIG. 8

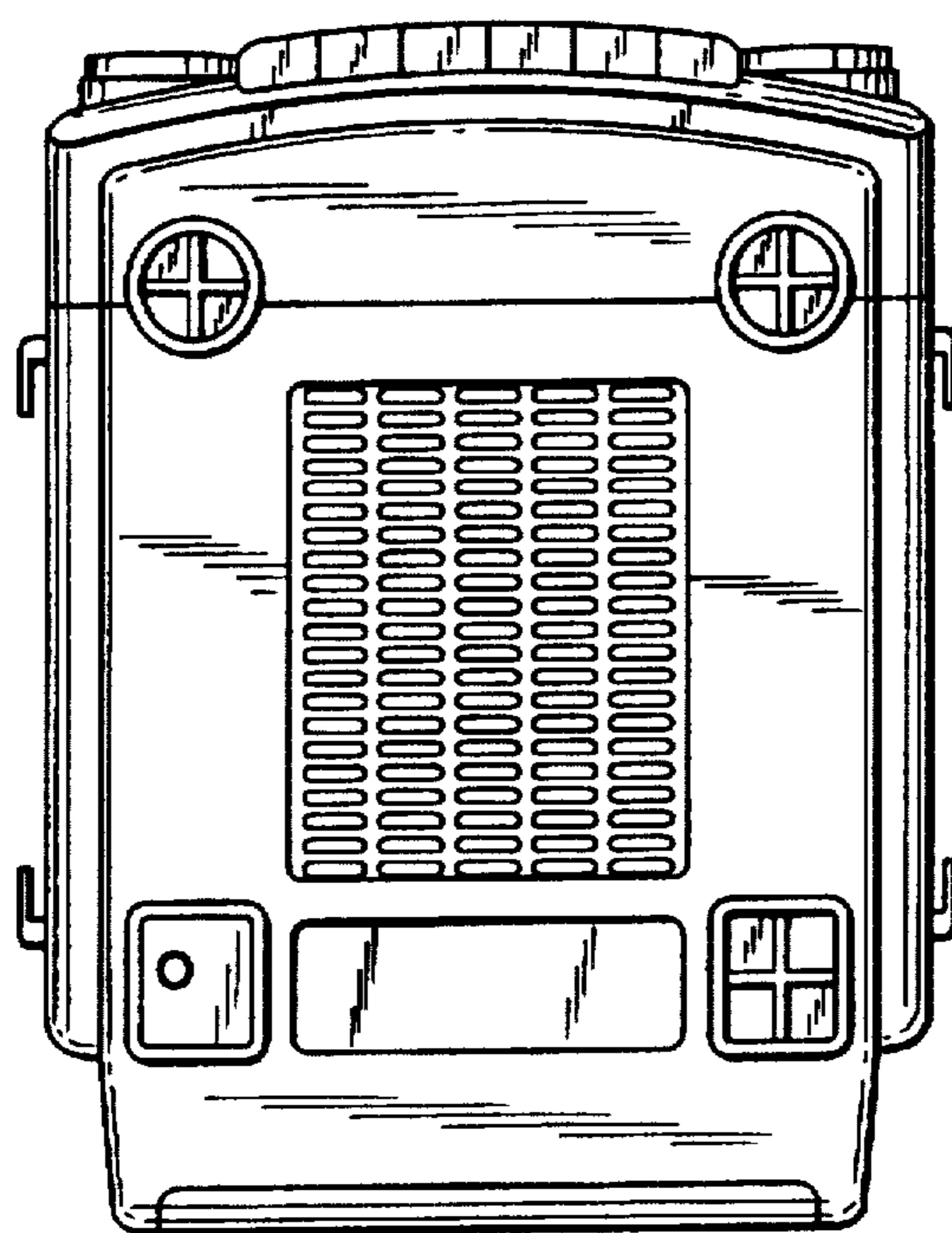


FIG. 9