

US00D396845S

# United States Patent [19]

[11] Patent Number: **Des. 396,845**

Caldes et al.

[45] Date of Patent: **\*\*Aug. 11, 1998**

[54] **UNINTERRUPTIBLE POWER SUPPLY CONTROL AND DISPLAY MODULE**

5,479,525 12/1995 Nakamura et al. .  
5,533,185 7/1996 Lentz et al. .  
5,575,544 11/1996 Hasegawa et al. .

[75] Inventors: **Douglas G. Caldes**, Orlando; **William B. Hawkins, III**, Winter Springs; **Jeffrey L. Woodard**, Orlando, all of Fla.

### FOREIGN PATENT DOCUMENTS

4-4092 2/1992 Japan .  
4-159593 6/1992 Japan .  
5-80703 4/1993 Japan .  
683571 3/1994 Switzerland .

[73] Assignee: **XS Technologies, Inc.**, Orlando, Fla.

[\*\*] Term: **14 Years**

*Primary Examiner*—James Gandy  
*Assistant Examiner*—Cathron B. Matta  
*Attorney, Agent, or Firm*—Allen, Dyer, Doppelt, Milbrath & Gilchrist, P.A.

[21] Appl. No.: **63,930**

[22] Filed: **Dec. 19, 1996**

[51] LOC (6) Cl. .... **13-03**

[52] U.S. Cl. .... **D13/118; D13/168**

[58] Field of Search ..... D13/158, 160, D13/162, 164, 168, 178, 199; D10/78, 104, 106; D14/191, 218; 307/64, 66, 87; 363/34, 37; 364/492

### [57] CLAIM

The ornamental design for an uninterruptible power supply control and display module, as shown and described.

### DESCRIPTION

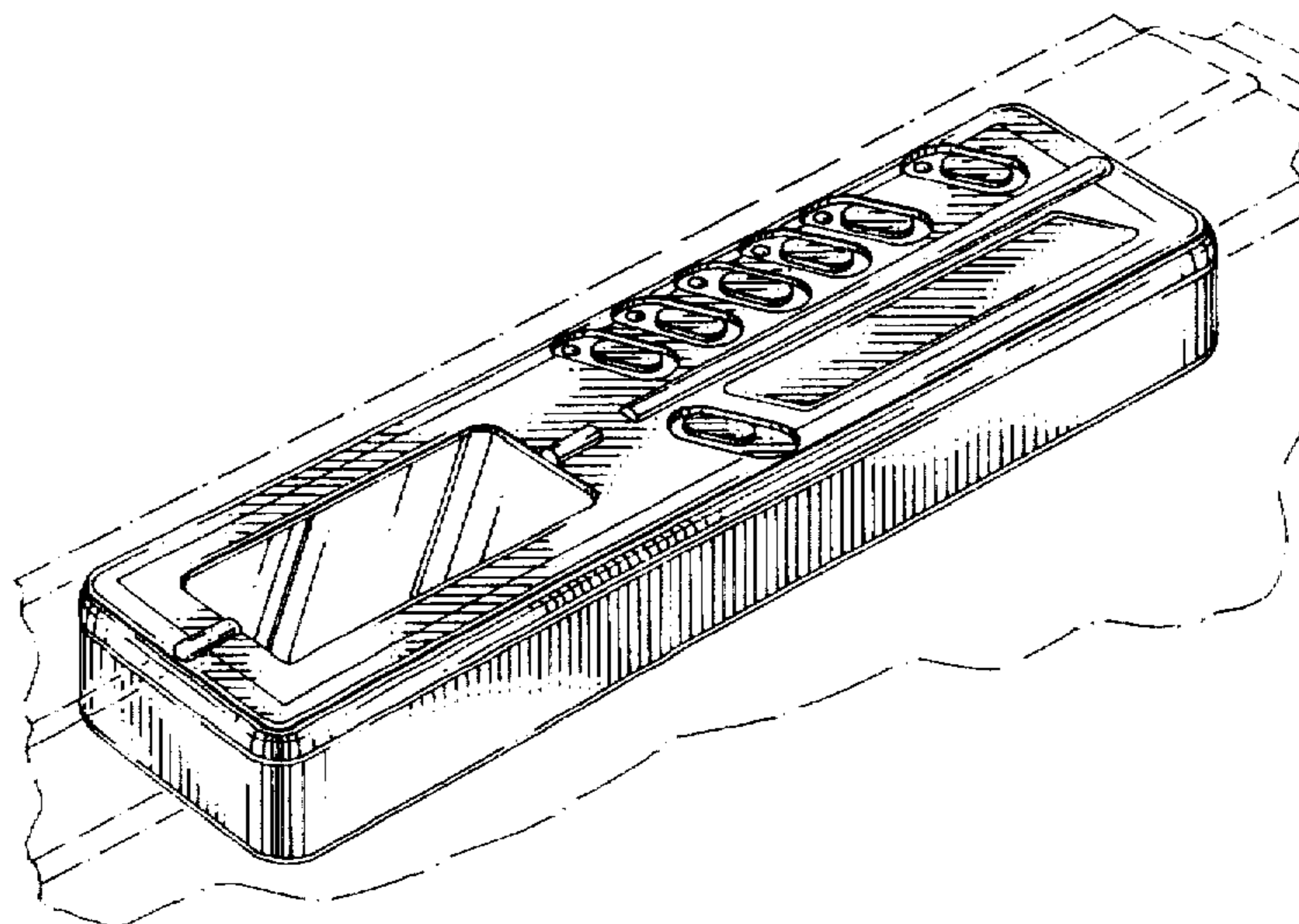
FIG. 1 is a front and bottom, left perspective view of an uninterruptible power supply control and display module showing our new design, the right side elevation being a mirror image of the left side elevation; FIG. 2 is a bottom plan view, shown at a reduced scale, of FIG. 1 and the alternate embodiment shown in FIGS. 6-8, showing the control and display module resting in the housing of the uninterruptible power supply; FIG. 3 is a front elevation view thereof; FIG. 4 is a bottom plan view thereof; FIG. 5 is a top plan view thereof; FIG. 6 is a front elevation view of an alternate embodiment of FIG. 1, it being understood that the undisclosed right and left side elevations are mirror images of those of the embodiment shown in FIGS. 1-5; FIG. 7 is a bottom plan view of FIG. 6; and, FIG. 8 is a top plan view of FIG. 6. The broken line showing of an uninterruptible power supply housing in FIGS. 1-5 are for illustrative purposes only and form no part of the claimed design. The rear of the uninterruptible power supply control and display module forms no part of the claimed design.

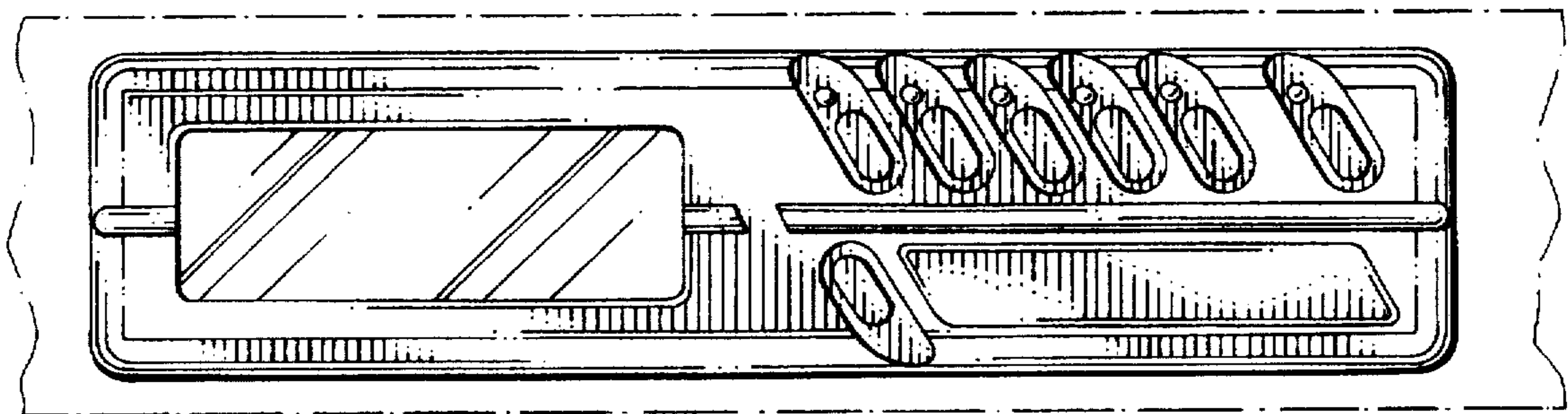
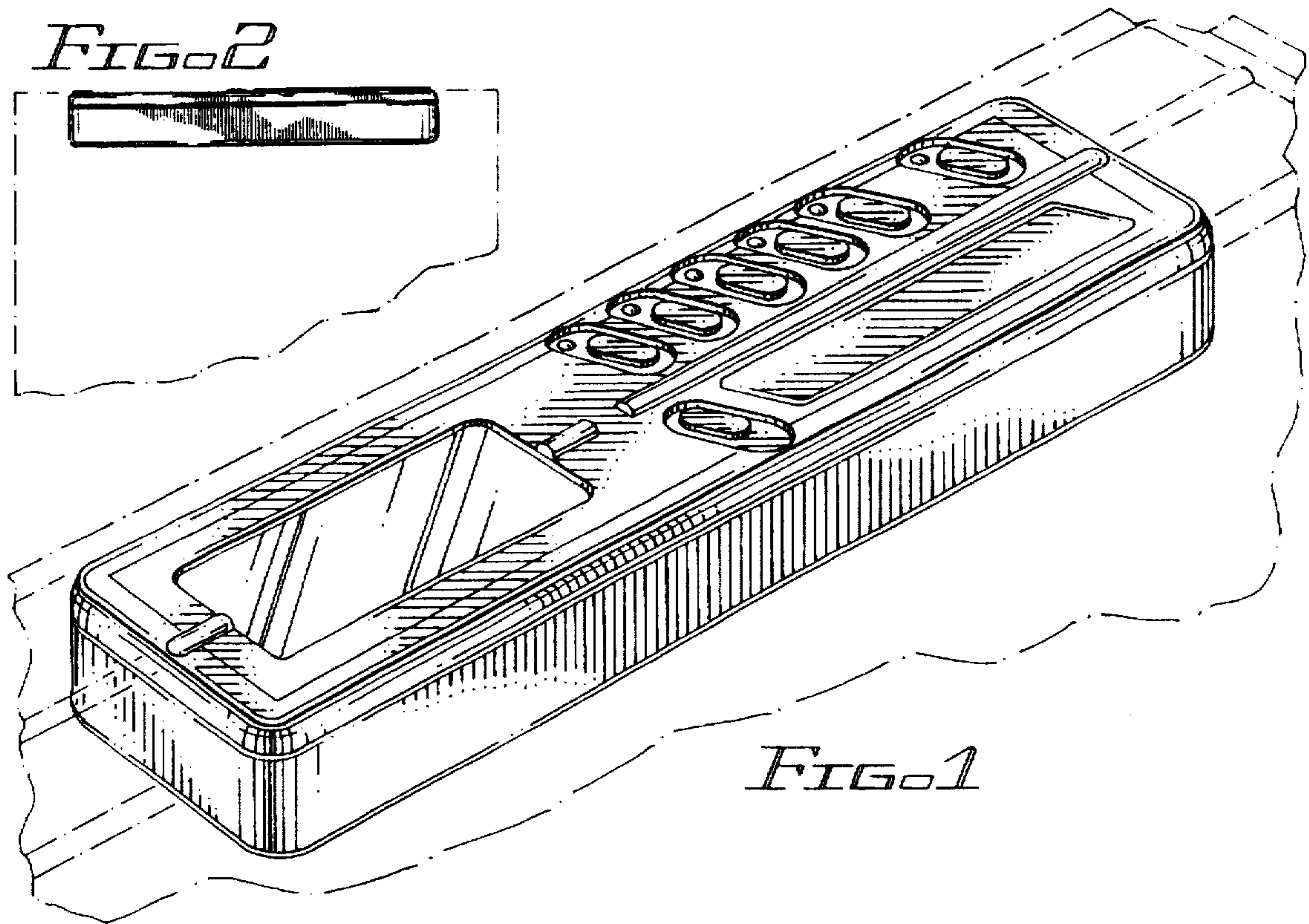
### [56] References Cited

#### U.S. PATENT DOCUMENTS

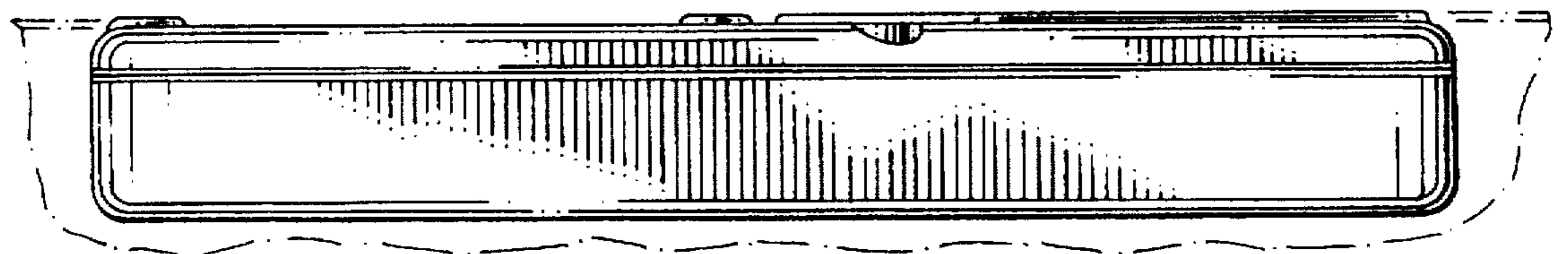
- 4,267,555 5/1981 Boyd et al. .
- 4,283,796 8/1981 Hughes .
- 4,384,790 5/1983 Nakazawa .
- 4,481,512 11/1984 Tscheulin et al. .
- 4,542,377 9/1985 Hagen et al. .
- 4,595,872 6/1986 Ball ..... 307/66 X
- 4,673,825 6/1987 Raddi et al. .
- 4,785,197 11/1988 Bezos et al. .
- 4,853,838 8/1989 Westermann .
- 4,856,088 8/1989 Oliwa et al. .
- 4,935,861 6/1990 Johnson, Jr. et al. .
- 4,940,414 7/1990 Lee .
- 4,998,067 3/1991 Puckett et al. .... 324/424
- 5,134,390 7/1992 Kishimoto et al. .
- 5,185,804 2/1993 Watanabe .
- 5,189,404 2/1993 Masimo et al. .
- 5,202,585 4/1993 Aoyagi et al. .
- 5,341,434 8/1994 Kawamoto .
- 5,369,549 11/1994 Kopp et al. .
- 5,444,868 8/1995 Reynolds et al. .
- 5,450,285 9/1995 Schlemmer .

**1 Claim, 2 Drawing Sheets**

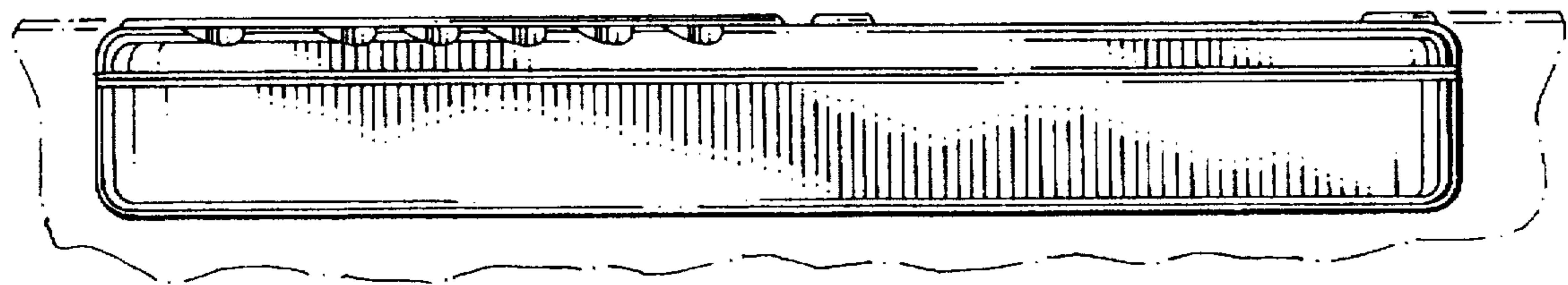




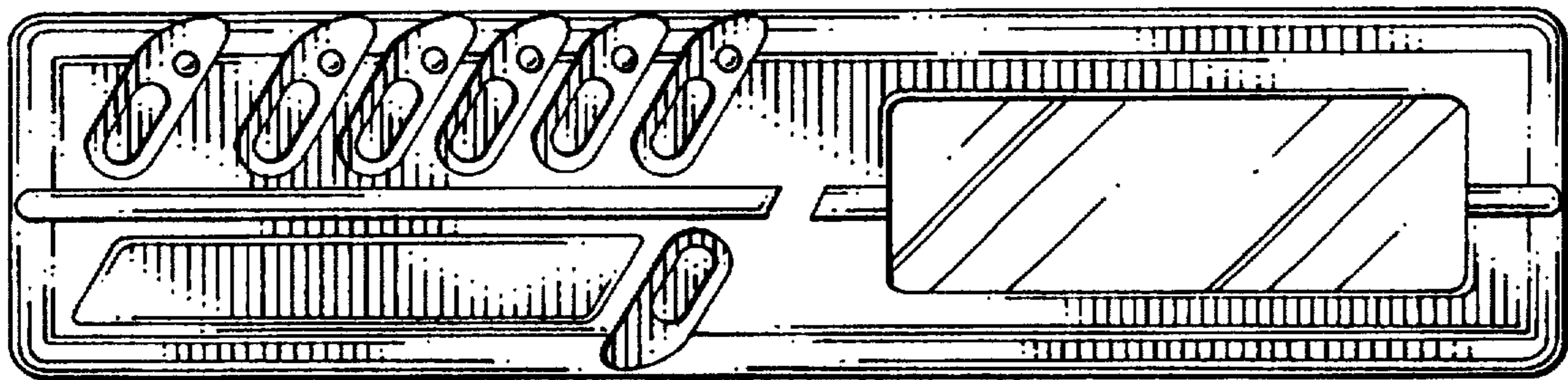
*FIG. 3*



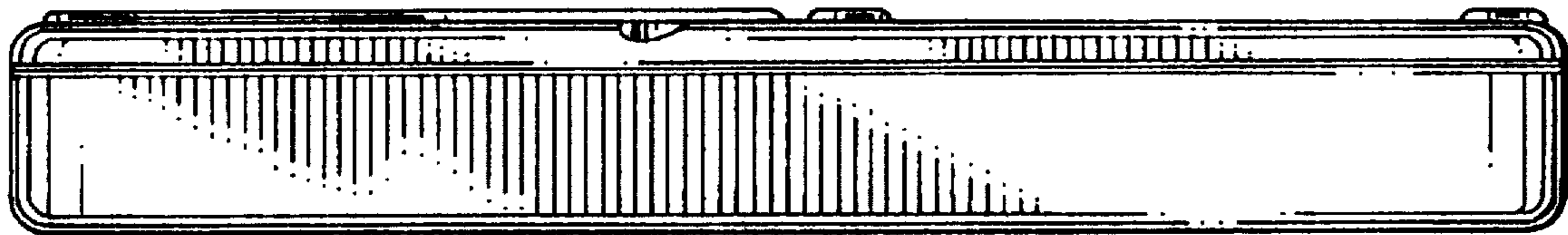
*FIG. 4*



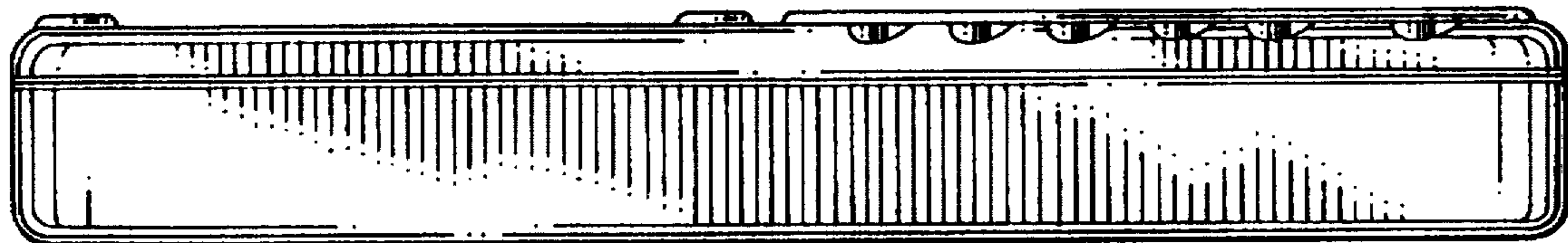
*FIG. 5*



*FIG. 6*



*FIG. 7*



*FIG. 8*