



US00D396844S

**United States Patent** [19]  
**Smith**

[11] **Patent Number: Des. 396,844**  
[45] **Date of Patent: \*\*Aug. 11, 1998**

[54] **FLOOR TRAY CONSOLE FOR VEHICLES**

[75] **Inventor: Daniel G. Smith, Grand Prairie, Tex.**  
[73] **Assignee: Texas Saddlebags, Inc., Arlington, Tex.**  
[\*\*] **Term: 14 Years**

[21] **Appl. No.: 57,820**  
[22] **Filed: Aug. 1, 1996**

[51] **LOC (6) Cl. .... 12-16**  
[52] **U.S. Cl. .... D12/419**  
[58] **Field of Search .... D12/415-419,**  
**D12/423-424, 425; 224/536-539, 296,**  
**42.11, 275; 296/37.1**

[56] **References Cited**

**U.S. PATENT DOCUMENTS**

D. 307,355	4/1990	Page, Jr. ....	D12/419
D. 317,674	6/1991	Smith .....	D3/40
D. 346,066	4/1994	Smith .....	D12/416
D. 352,495	11/1994	Mawhinney et al. ....	D12/419
D. 362,837	10/1995	Mankey et al. ....	D12/419
D. 363,698	10/1995	Smith .....	D12/419
D. 368,889	4/1996	Mankey et al. ....	D12/419
D. 375,480	11/1996	Smith .....	D12/419

**OTHER PUBLICATIONS**

"Clutter Catcher"—Saddlebags No Date.  
"Consoles for Pickups, Minivans & Cars" Saddlebags.  
"Concept 2000 Consoles"—Steel Horse, pp. 9-10 (No Date).  
"Consoles" Wolf p. 9. (No Date).

*Primary Examiner*—Jeffrey Asch  
*Assistant Examiner*—Stacia Sinuik  
*Attorney, Agent, or Firm*—Daniel Rubin

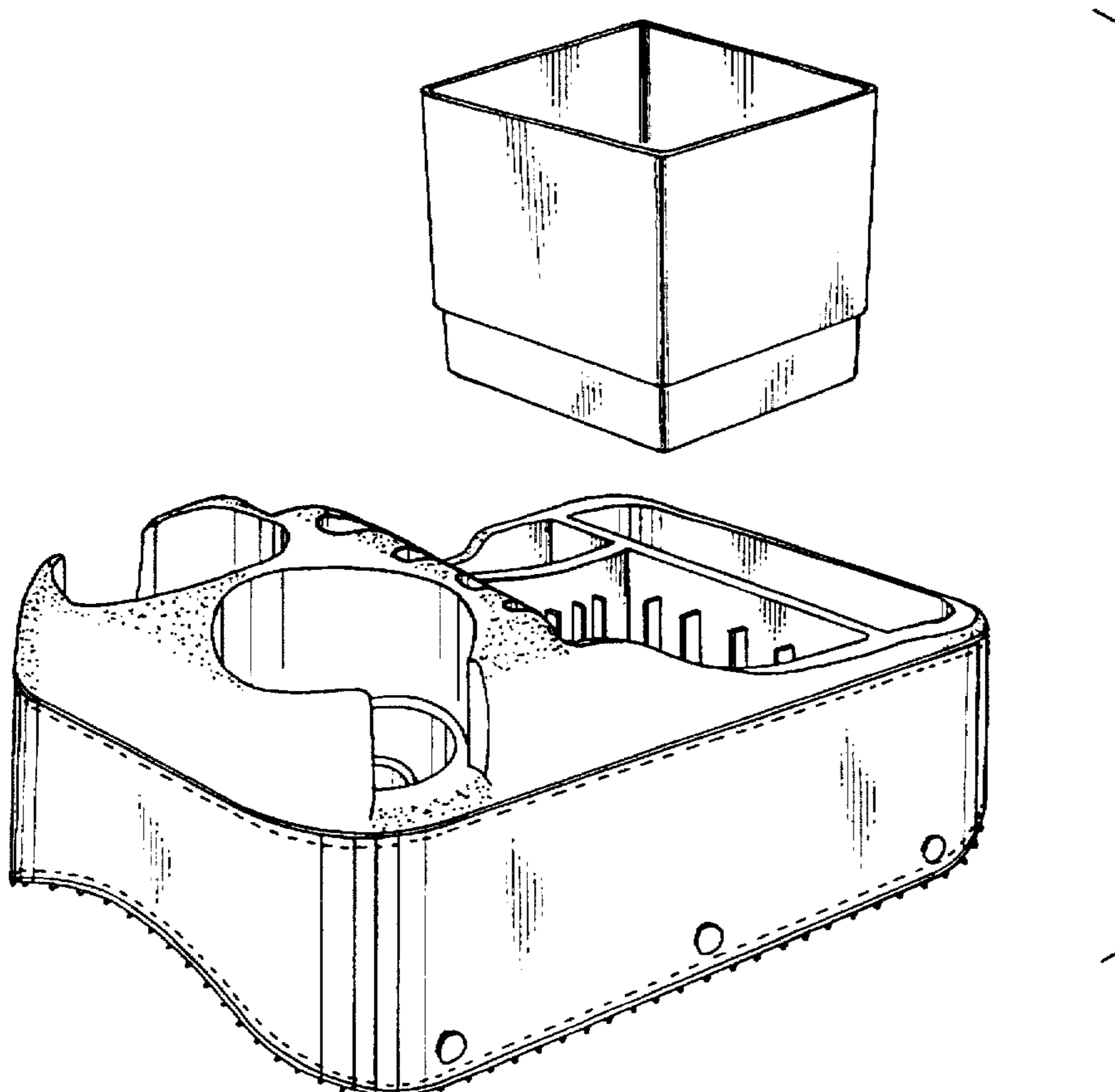
[57] **CLAIM**

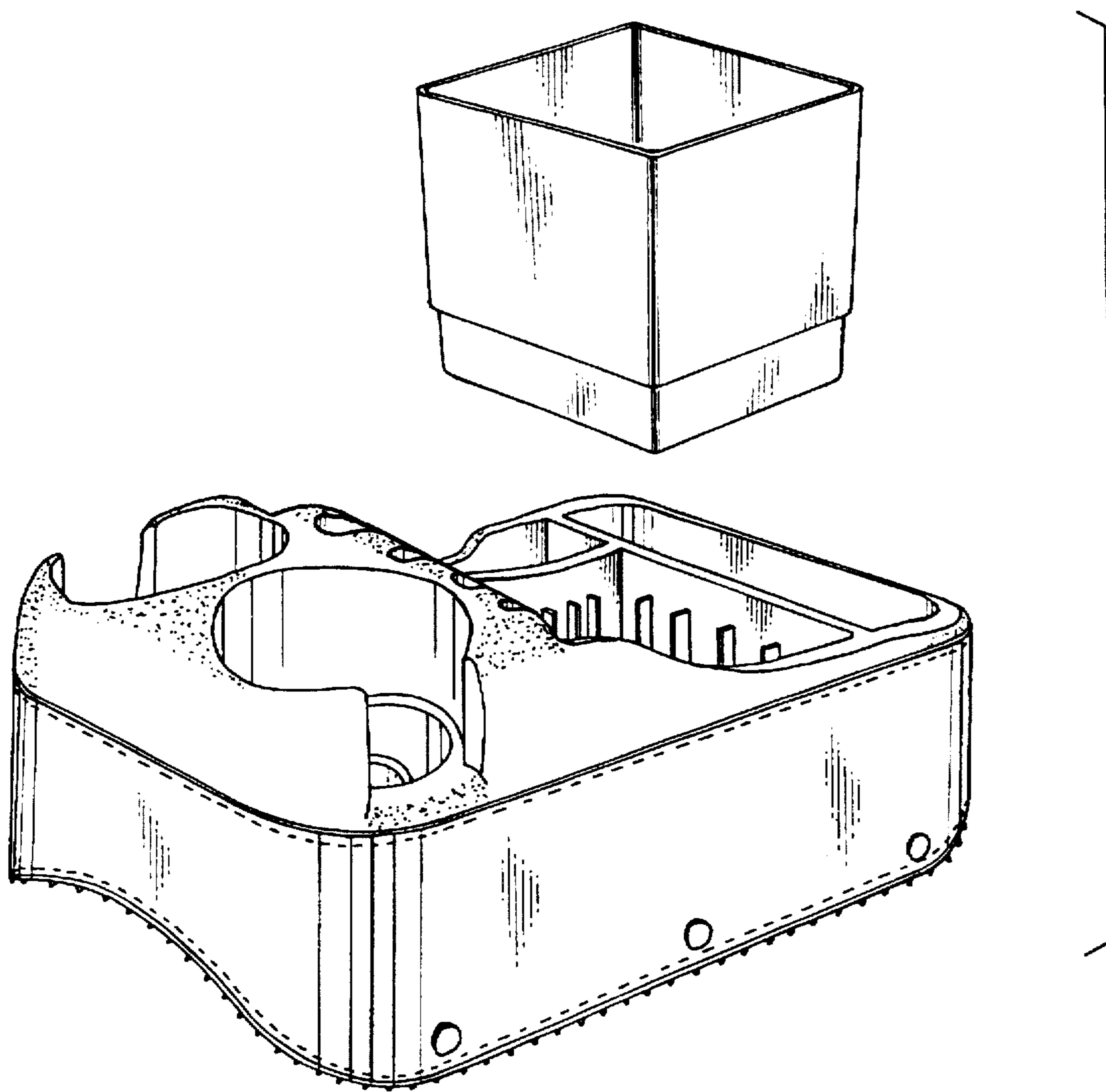
The ornamental design for a floor tray console for vehicles, as shown and described.

**DESCRIPTION**

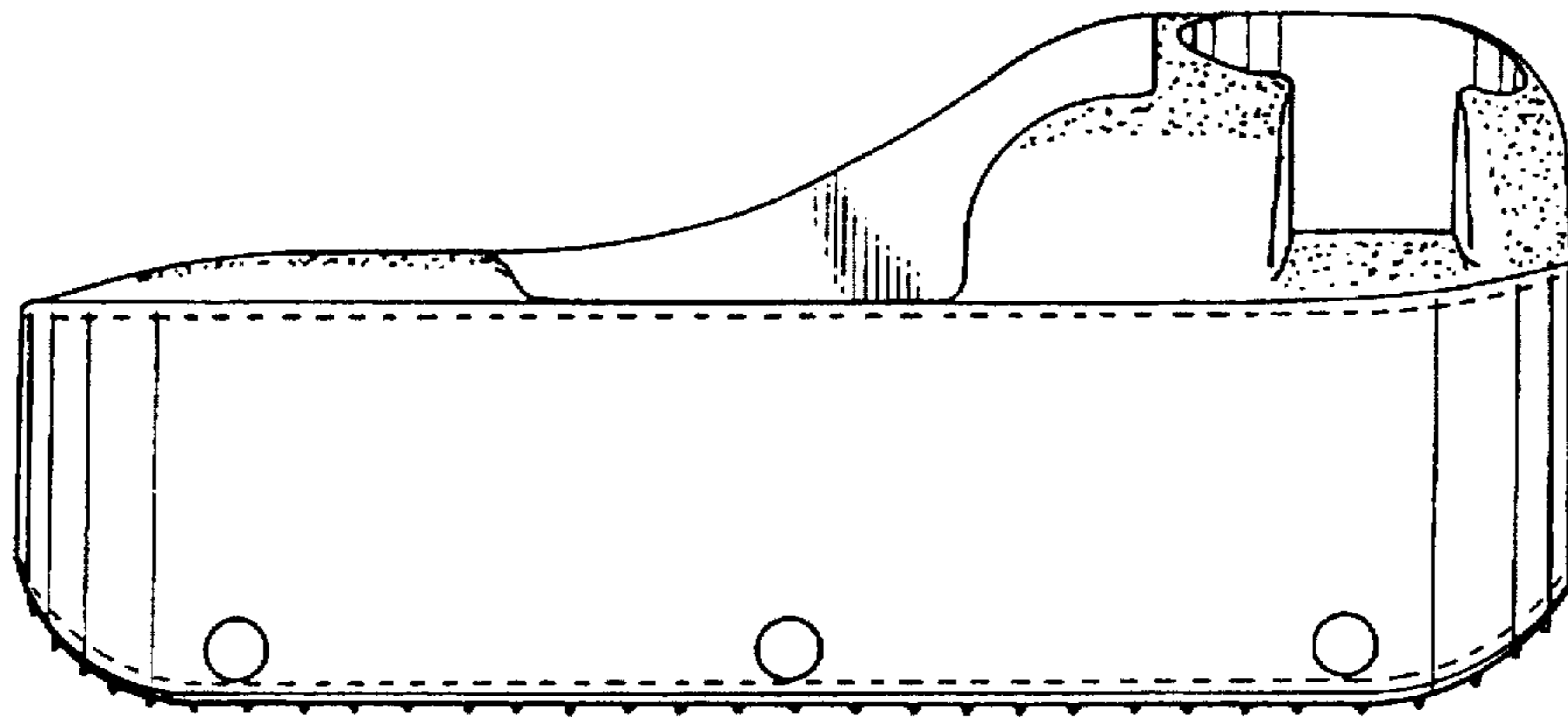
FIG. 1 is a top front perspective and partially exploded view of the floor tray console for vehicles hereof showing my new design;  
FIG. 2 is a left side elevational view thereof;  
FIG. 3 is a rear elevational view thereof;  
FIG. 4 is a front elevational view thereof;  
FIG. 5 is a top plan view thereof; and,  
FIG. 6 is a bottom plan view thereof.  
The container portion of the floor tray console for vehicles shown in FIG. 1 has been omitted from FIGS. 2-5 for convenience of illustration.

**1 Claim, 3 Drawing Sheets**

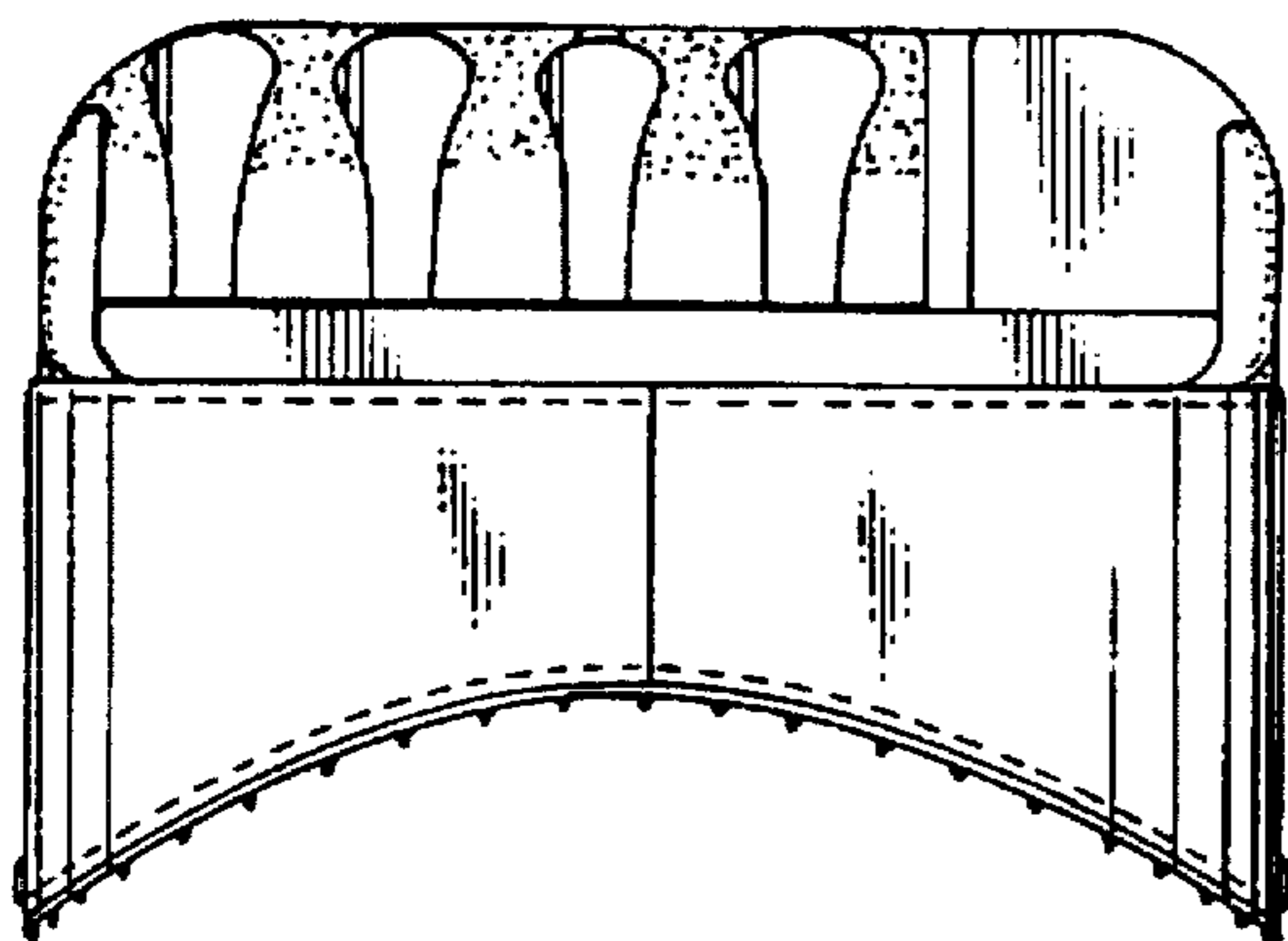




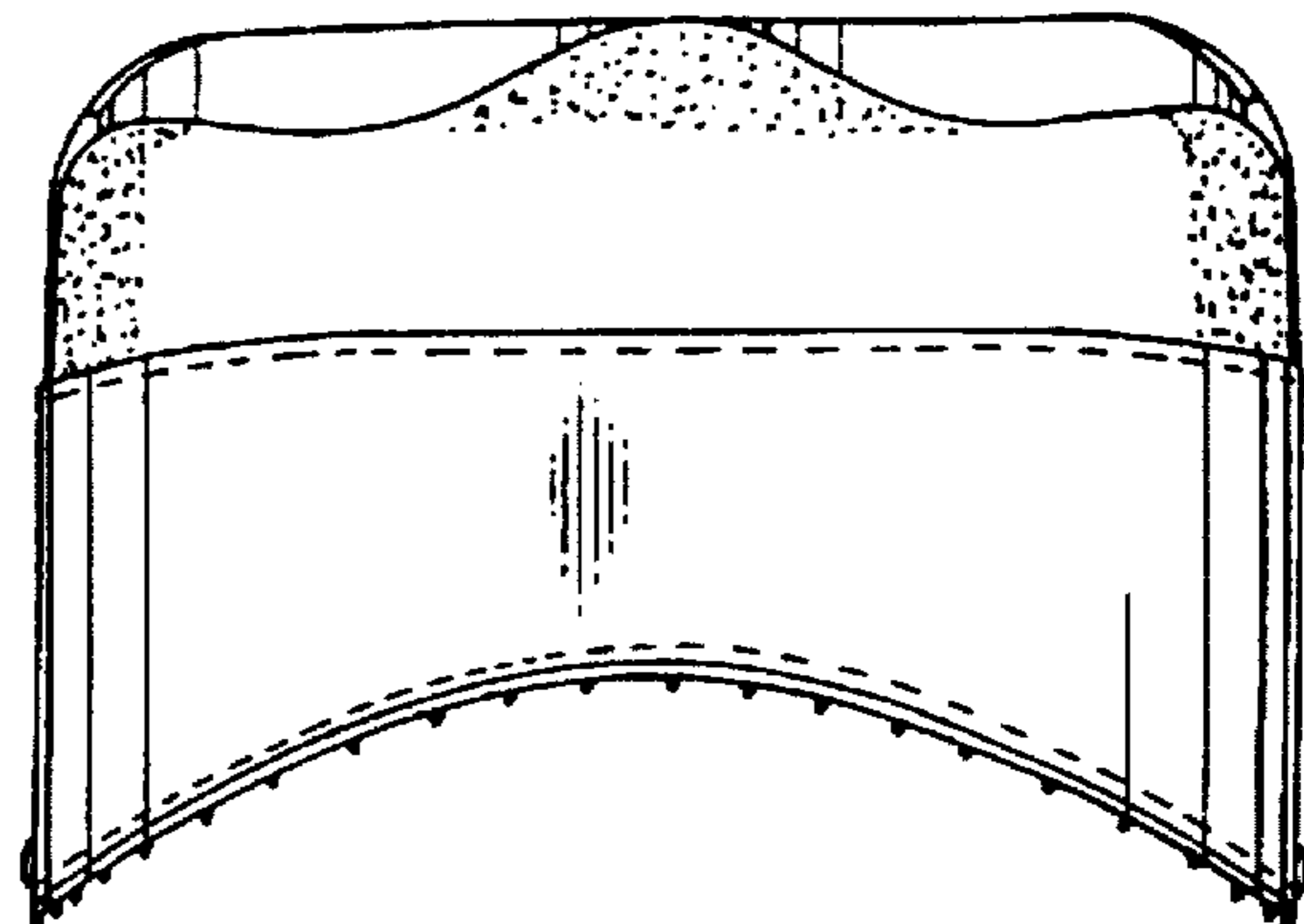
*Fig. 1*



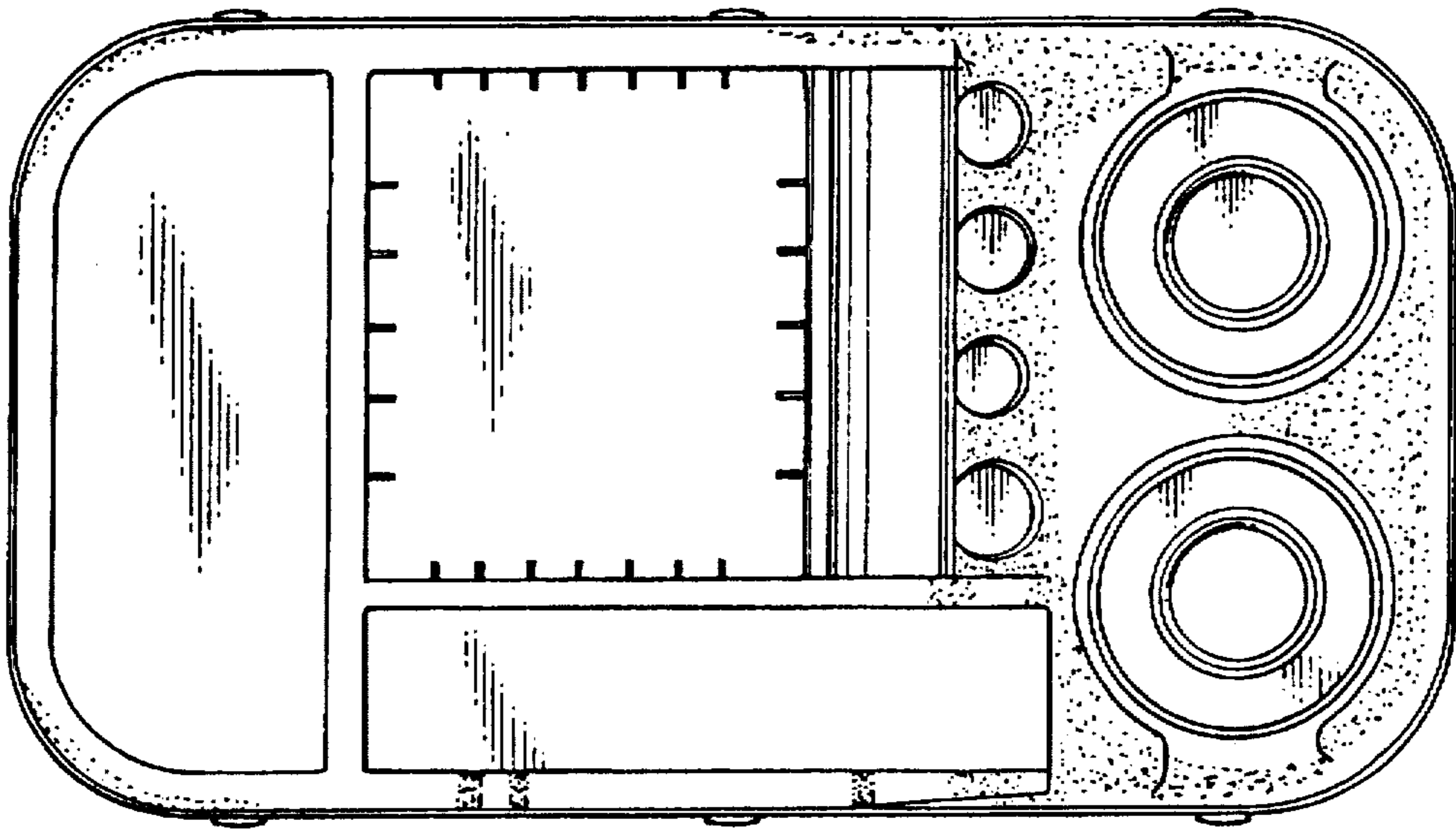
*Fig. 2*



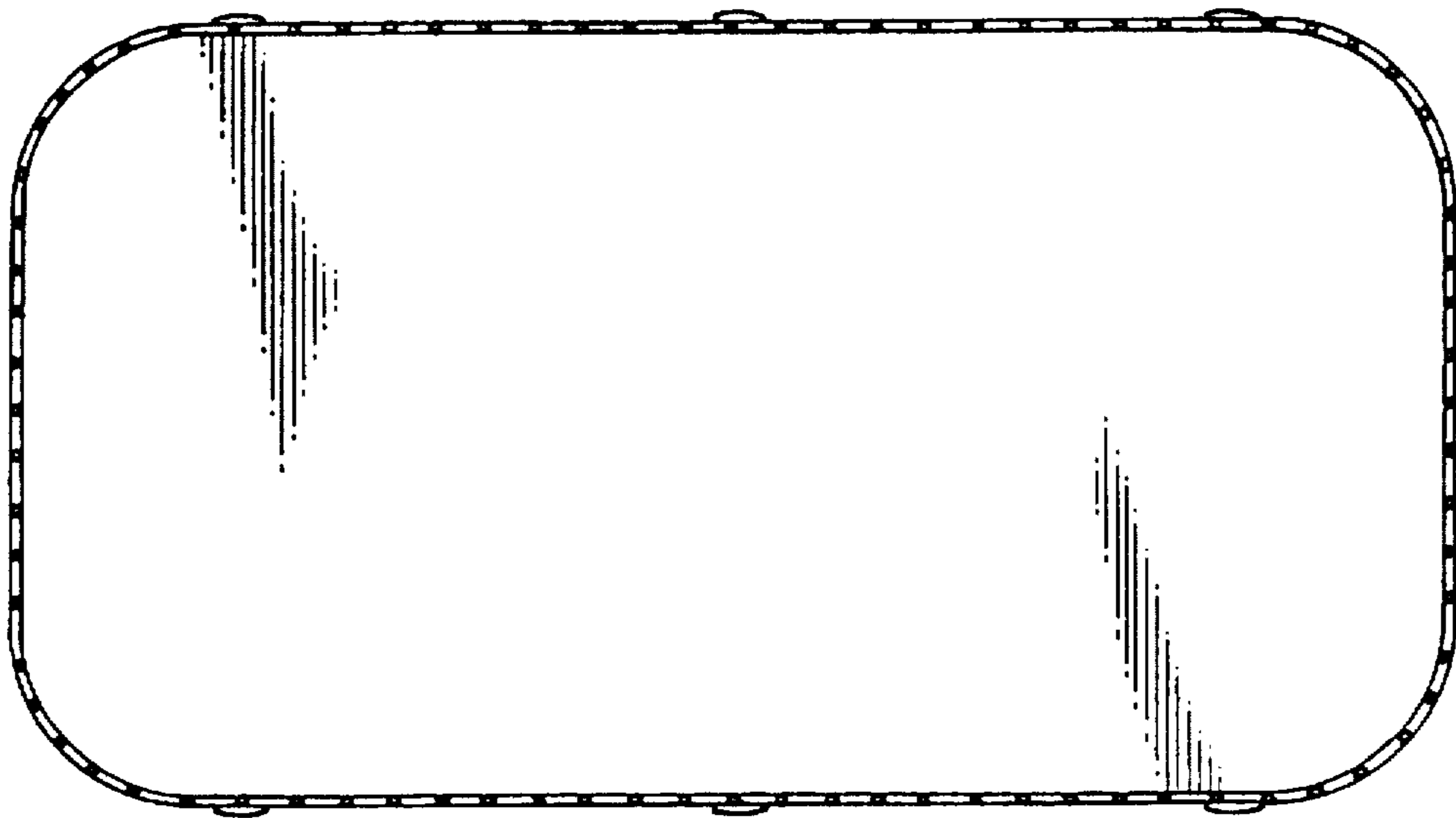
*Fig. 3*



*Fig. 4*



*Fig. 5*



*Fig. 6*