



US00D396843S

**United States Patent** [19]  
**Mifsud**

[11] **Patent Number:** **Des. 396,843**  
[45] **Date of Patent:** **\*\*Aug. 11, 1998**

[54] **AUTOMOBILE COVER**

[76] **Inventor:** **Vincent N. Mifsud**, P.O. Box 2,  
Balzan, BZN 01, Malta

[\*\*] **Term:** **14 Years**

[21] **Appl. No.:** **56,828**

[22] **Filed:** **Jul. 9, 1996**

[51] **LOC (6) Cl.** ..... **12-16**

[52] **U.S. Cl.** ..... **D12/401**

[58] **Field of Search** ..... D12/401, 403;  
150/166; 296/95.1, 98, 99.1, 100

[56] **References Cited**

**U.S. PATENT DOCUMENTS**

D. 356,540	3/1995	Hammtree	.....	D12/401
D. 364,846	12/1995	Kelsey et al.	.....	D12/401
3,874,437	4/1975	Black	.....	D12/401
4,856,842	8/1989	Ross et al.	.....	150/166 X
5,167,267	12/1992	McQuaid	.....	150/166

*Primary Examiner*—Doris V. Coles  
*Assistant Examiner*—Catherine R. Oliver

*Attorney, Agent, or Firm*—Harold H. Dutton, Jr.

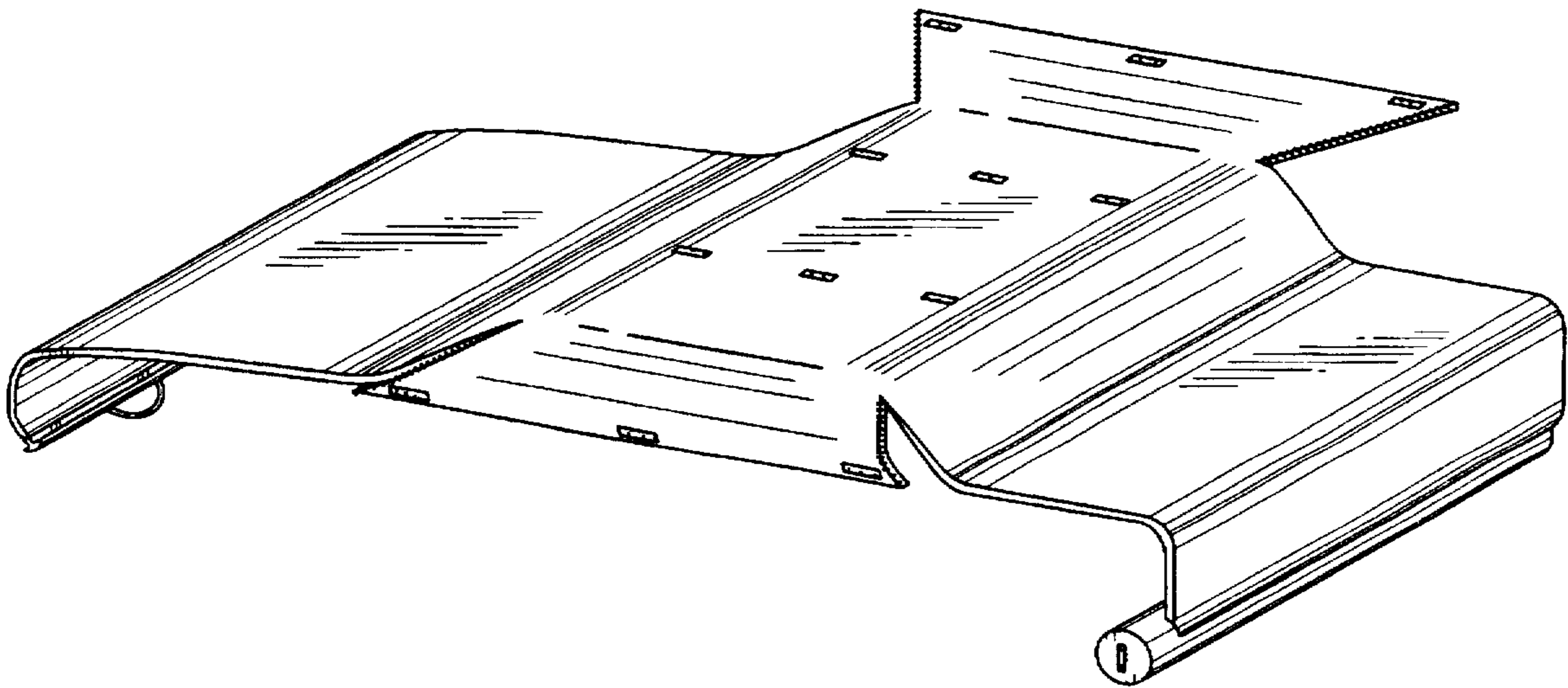
[57] **CLAIM**

The ornamental design for a automobile cover, as shown and described.

**DESCRIPTION**

FIG. 1 is a perspective view of an automobile cover in extended form showing my new design;  
FIG. 2 is a top view thereof;  
FIG. 3 is a bottom view thereof;  
FIG. 4 is a right side view thereof; The left side view is a mirror image thereof;  
FIG. 5 is a front view thereof;  
FIG. 6 is a rear view thereof;  
FIG. 7 is a right side view, with the cover rolled inside of the cylindrical portion;  
FIG. 8 is a left side view thereof;  
FIG. 9 is a top view thereof;  
FIG. 10 is a bottom view thereof;  
FIG. 11 is a front view thereof; and,  
FIG. 12 is a rear view thereof.

**1 Claim, 6 Drawing Sheets**



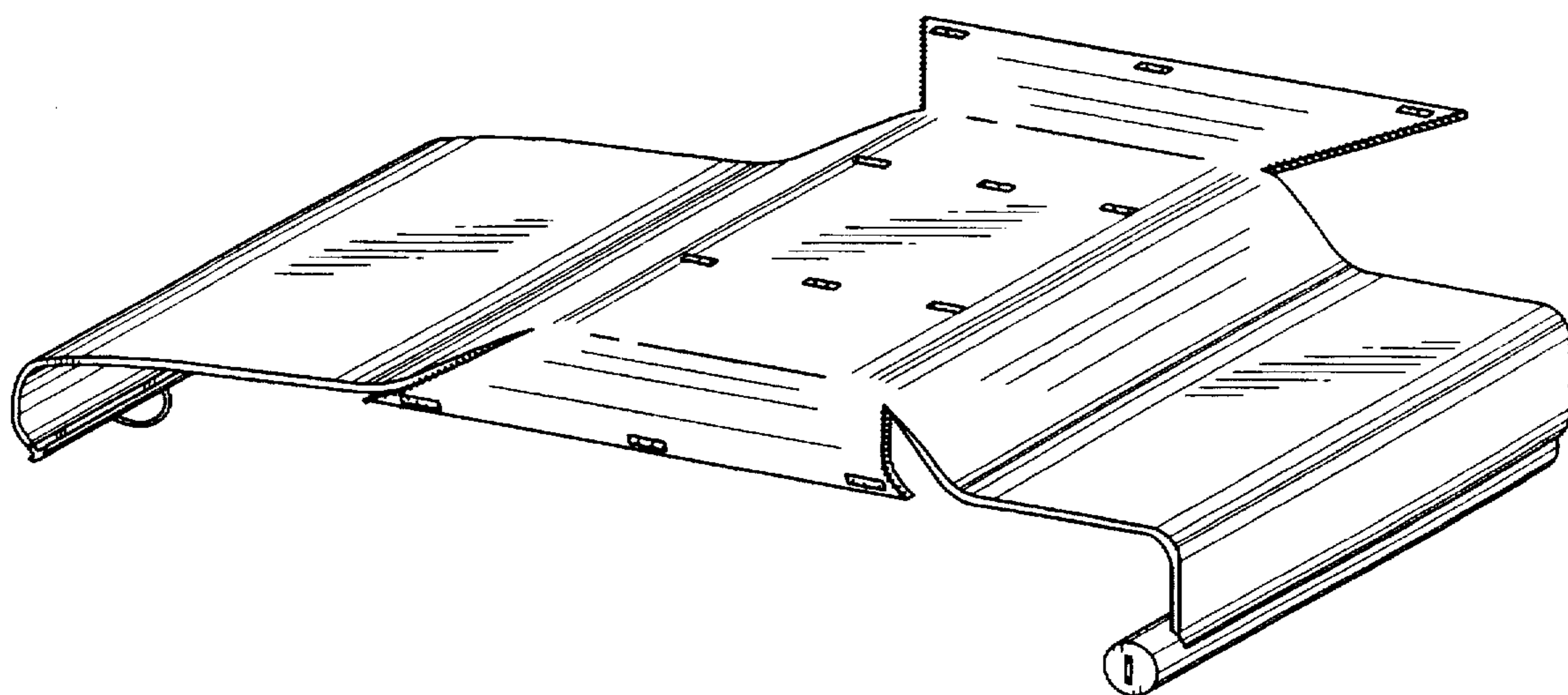


FIG. 1

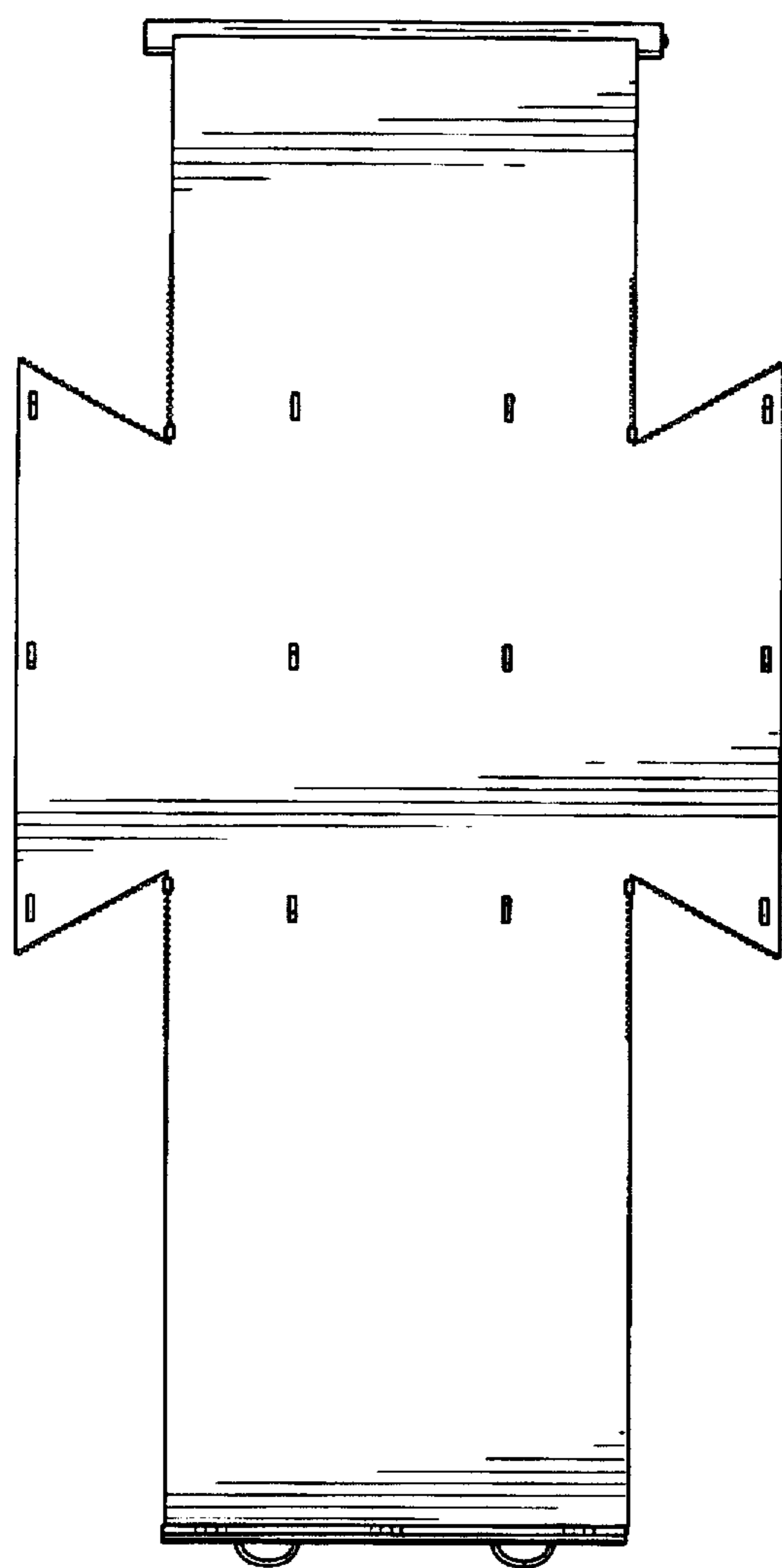


FIG. 2

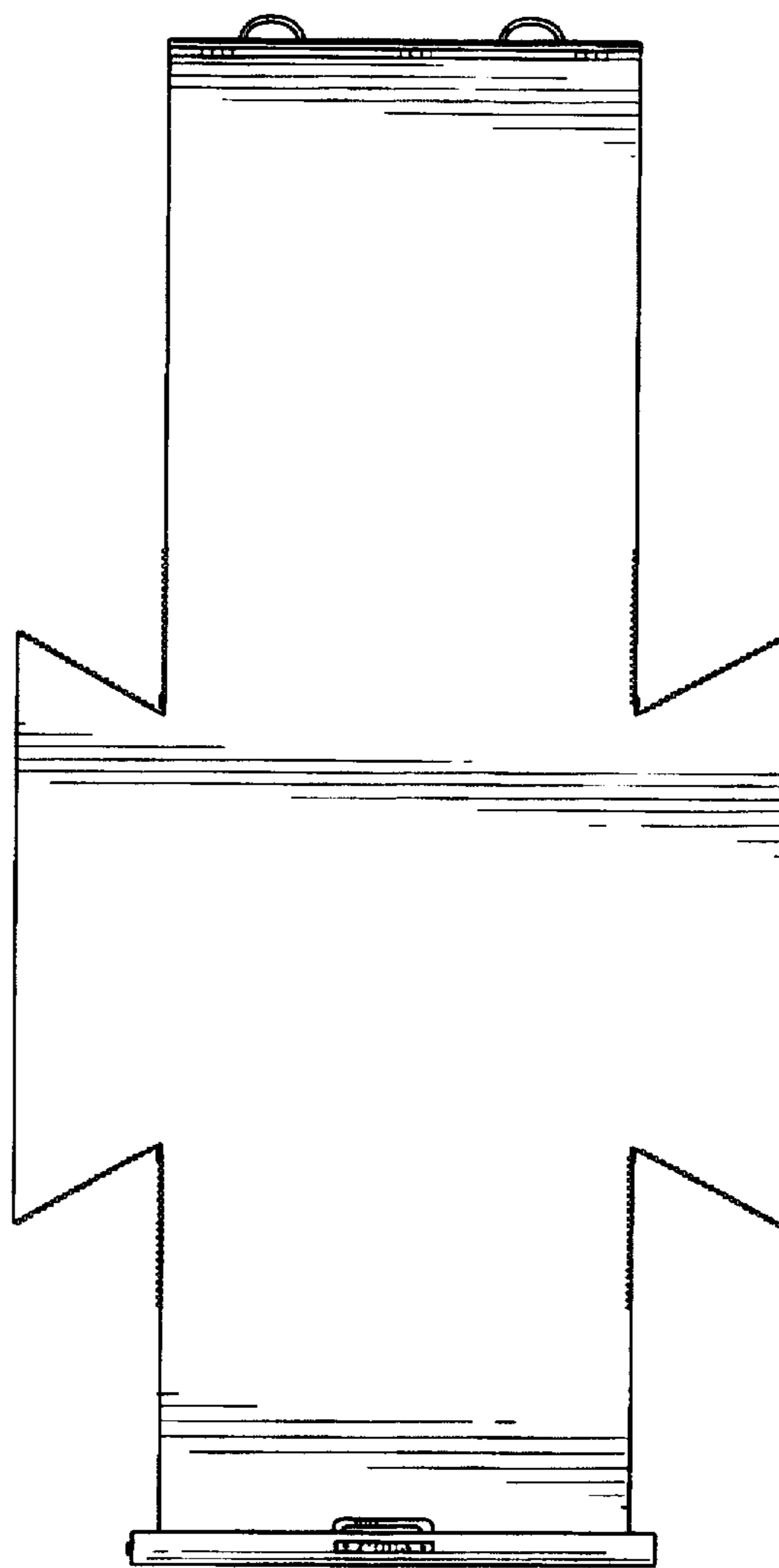


FIG. 3

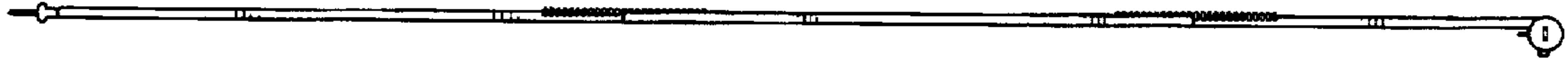


FIG. 4



FIG. 5



FIG. 6

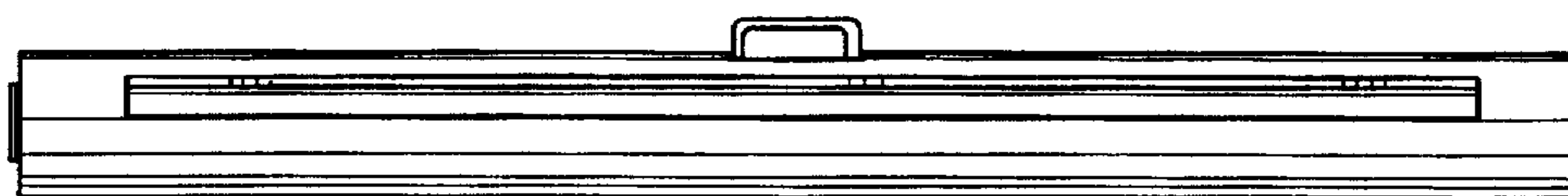


FIG. 7

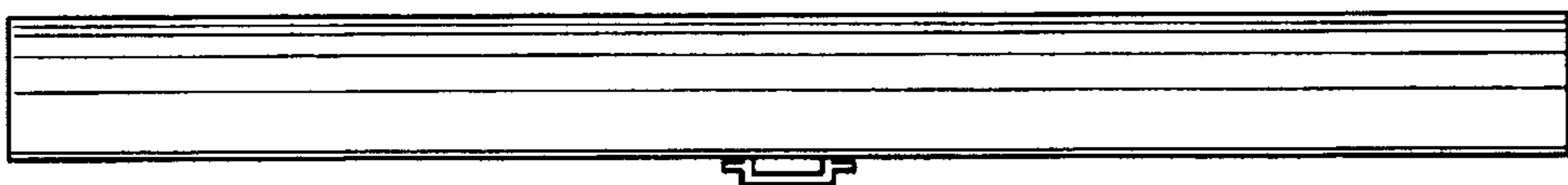


FIG. 8



FIG. 9

FIG. 10



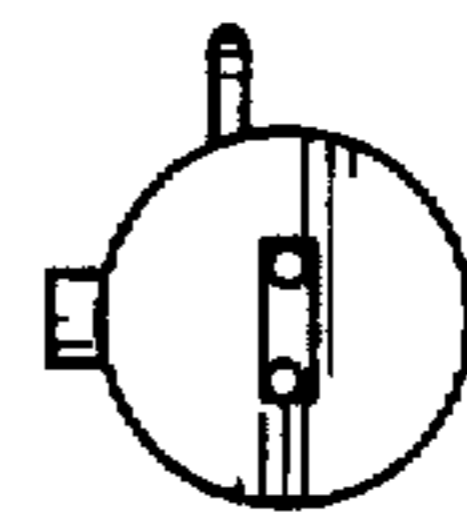


FIG. 11

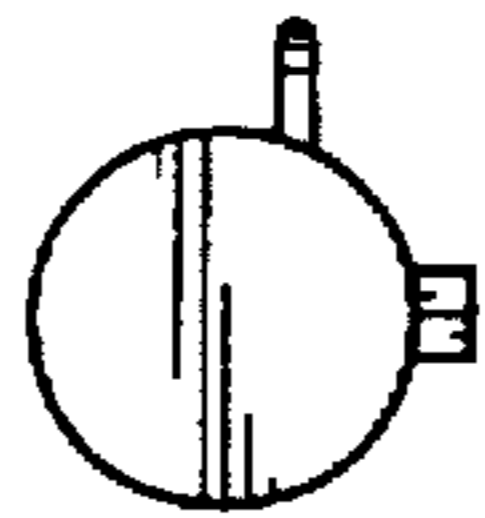


FIG. 12