



US00D396839S

# United States Patent [19] Cullen

[11] Patent Number: Des. 396,839

[45] Date of Patent: \*\*Aug. 11, 1998

[54] **VEHICLE-WHEEL FRONT FACE**

[75] Inventor: **Murray S. Cullen**, Irvine, Calif.

[73] Assignee: **Mobile Hi-Tech Wheels**, Torrance, Calif.

[\*\*] Term: **14 Years**

[21] Appl. No.: **80,175**

[22] Filed: **Dec. 2, 1997**

[51] LOC (6) Cl. .... **12-16**

[52] U.S. Cl. .... **D12/211**

[58] Field of Search ..... **D12/204-213;**  
301/64.1, 65, 37.1

D. 384,027 9/1997 Roesianto ..... D12/209  
 D. 386,139 11/1997 Cullen ..... D12/209  
 D. 386,740 11/1997 Cullen ..... D12/209

### OTHER PUBLICATIONS

American Racing Equipment Catalog, p. 23, See "G.T.D.M. Magnesium" Wheel, Nov. 1968.

*Primary Examiner*—James Gandy  
*Assistant Examiner*—Stacia Sinuik  
*Attorney, Agent, or Firm*—Christie, Parker & Hale, LLP

### [57] CLAIM

The ornamental design for vehicle-wheel front face, as shown and described.

### DESCRIPTION

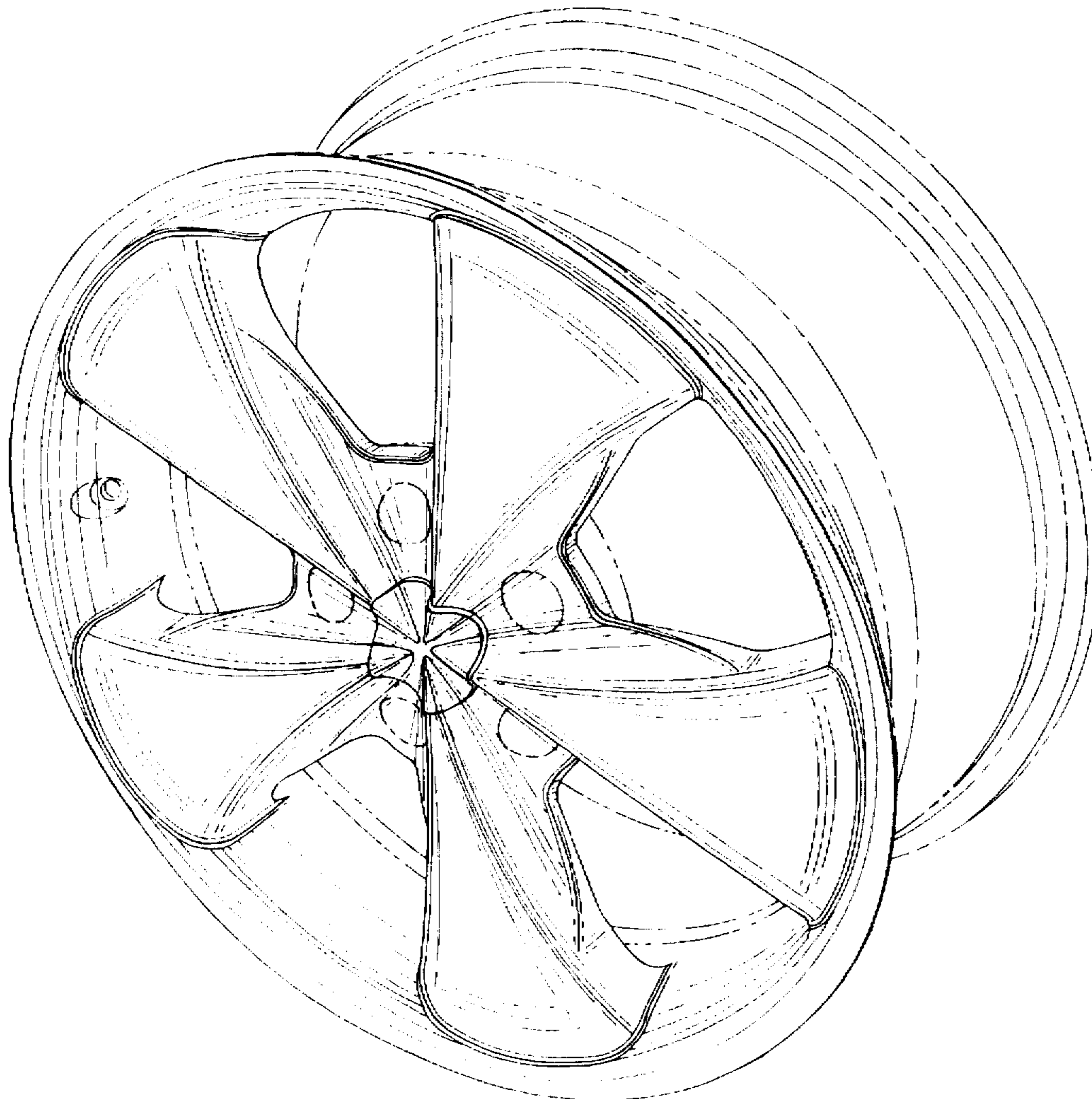
FIG. 1 is a perspective view of a vehicle-wheel front face according to my new design;  
FIG. 2 is a front elevational view thereof; and,  
FIG. 3 is a side elevational view thereof.  
Portions of the wheel depicted in broken line are for illustrative purposes only, and form no part of the claimed design.

**1 Claim, 3 Drawing Sheets**

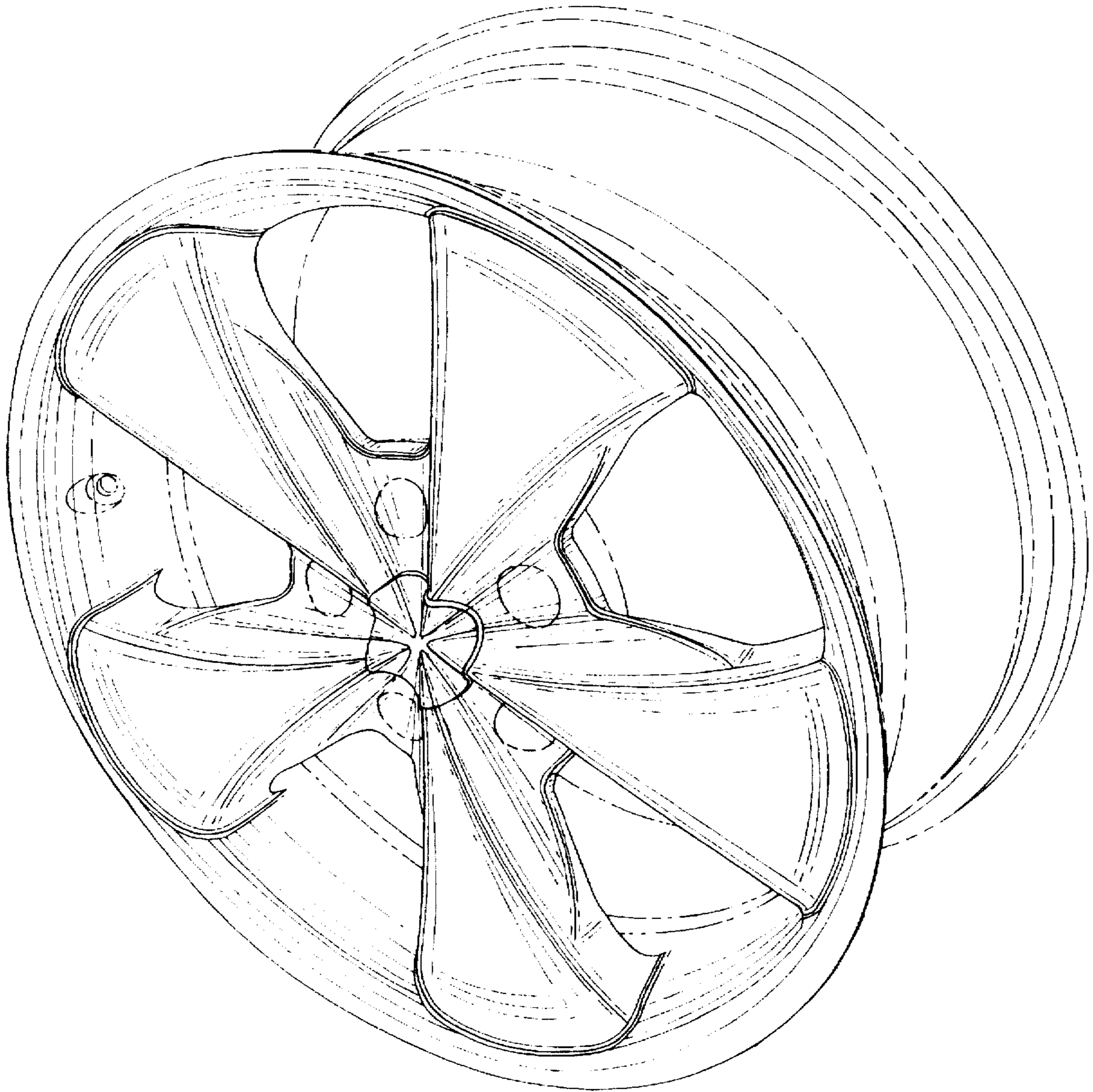
### [56] References Cited

#### U.S. PATENT DOCUMENTS

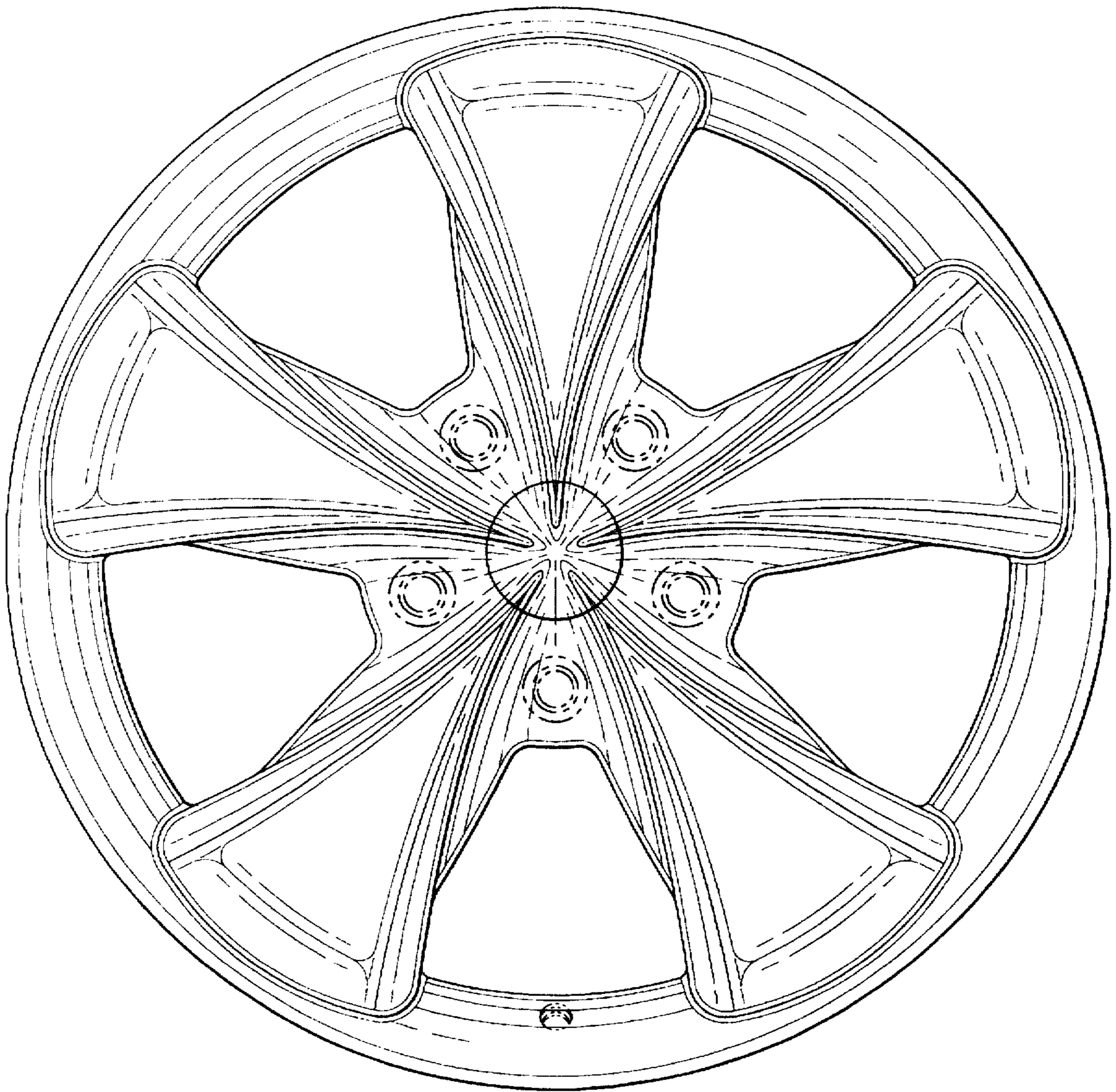
D. 219,871	2/1971	Griffith	.....	D12/209
D. 336,743	6/1993	Cattaneo	.....	D12/211
D. 350,523	9/1994	Mobius	.....	D12/209
D. 375,287	11/1996	Neeper	.....	D12/211
D. 378,670	4/1997	Echazabal et al.	.....	D12/209
D. 384,026	9/1997	Chrysanto	.....	D12/209



*Fig. 1*



*FIG. 2*



*FIG. 3*

