



US00D396834S

United States Patent [19]
Wu

[11] **Patent Number: Des. 396,834**
[45] **Date of Patent: **Aug. 11, 1998**

[54] **ELECTRIC CART**

[76] **Inventor: Donald P. H. Wu, No. 169, Ken Tzu Ku, Shang Ken Tsun, Hsin Feng Hsiang, Hsinchu Hsien, Taiwan**

[**] **Term: 14 Years**

[21] **Appl. No.: 70,362**

[22] **Filed: Apr. 29, 1997**

[51] **LOC (6) Cl. 12-12**

[52] **U.S. Cl. D12/131**

[58] **Field of Search D12/128, 129, D12/131; 180/65.1, 907, 908, 6.5, 208; 280/250.1, 304.1; 297/DIG. 4**

[56] **References Cited**

U.S. PATENT DOCUMENTS

- D. 322,050 12/1991 Kataoka et al. D12/131
- D. 322,051 12/1991 Kataoka et al. D12/131

- D. 325,892 5/1992 Nesterick et al. D12/131
- D. 382,838 8/1997 Black D12/131
- 4,947,955 8/1990 Hopely, Jr. 180/65.1 X

Primary Examiner—Kay H. Chin
Attorney, Agent, or Firm—W. Wayne Liauh

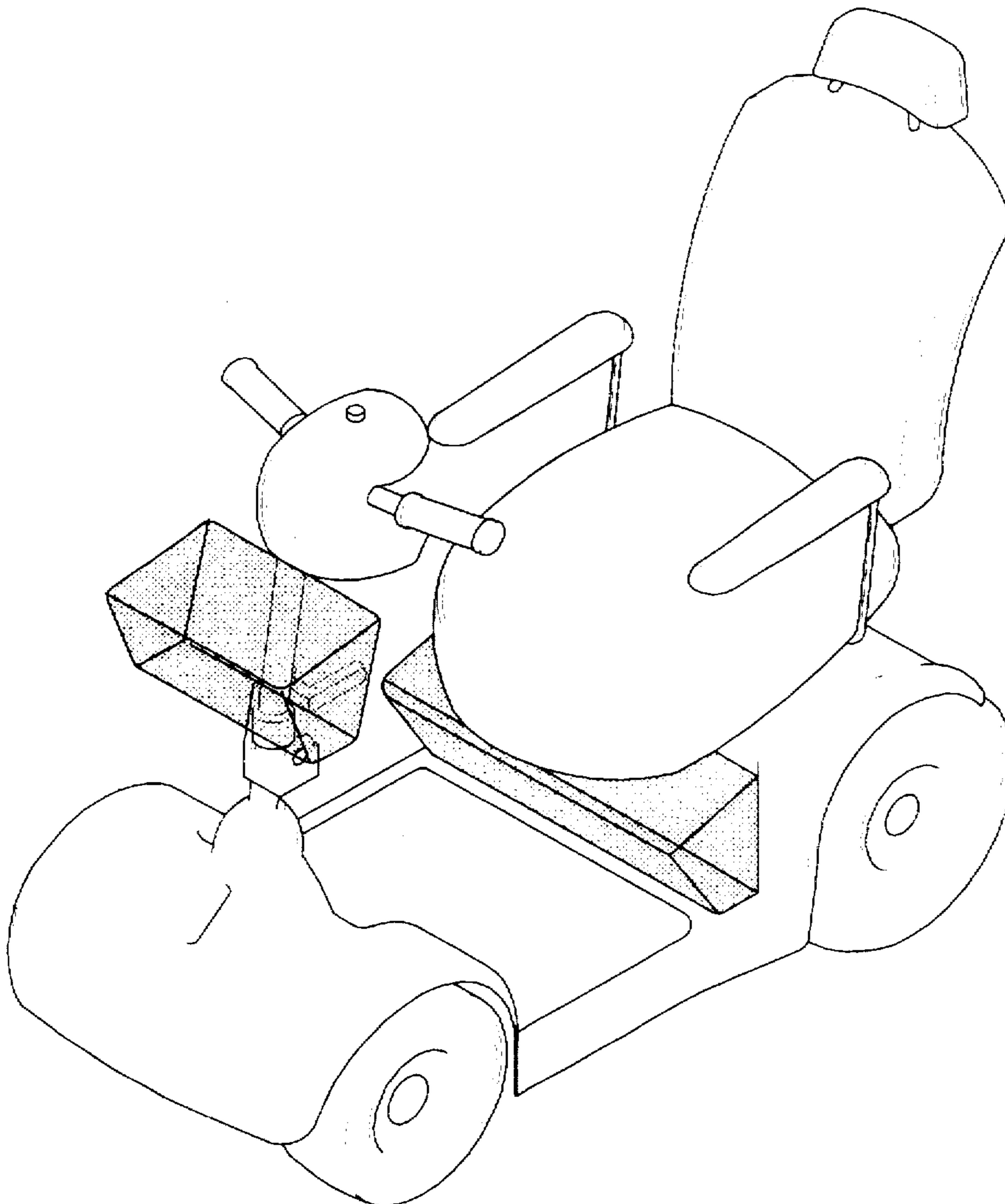
[57] **CLAIM**

The ornamental design for a electric cart, as shown and described.

DESCRIPTION

FIG. 1 is a front view of a electric cart showing the preferred embodiment of my new design;
FIG. 2 is a rear view of the electric cart;
FIG. 3 is a left side view of the electric cart;
FIG. 4 is a right side view of the electric cart;
FIG. 5 is a top view of the electric cart;
FIG. 6 is a bottom view of the electric cart; and,
FIG. 7 is a perspective view of the electric cart.

1 Claim, 7 Drawing Sheets



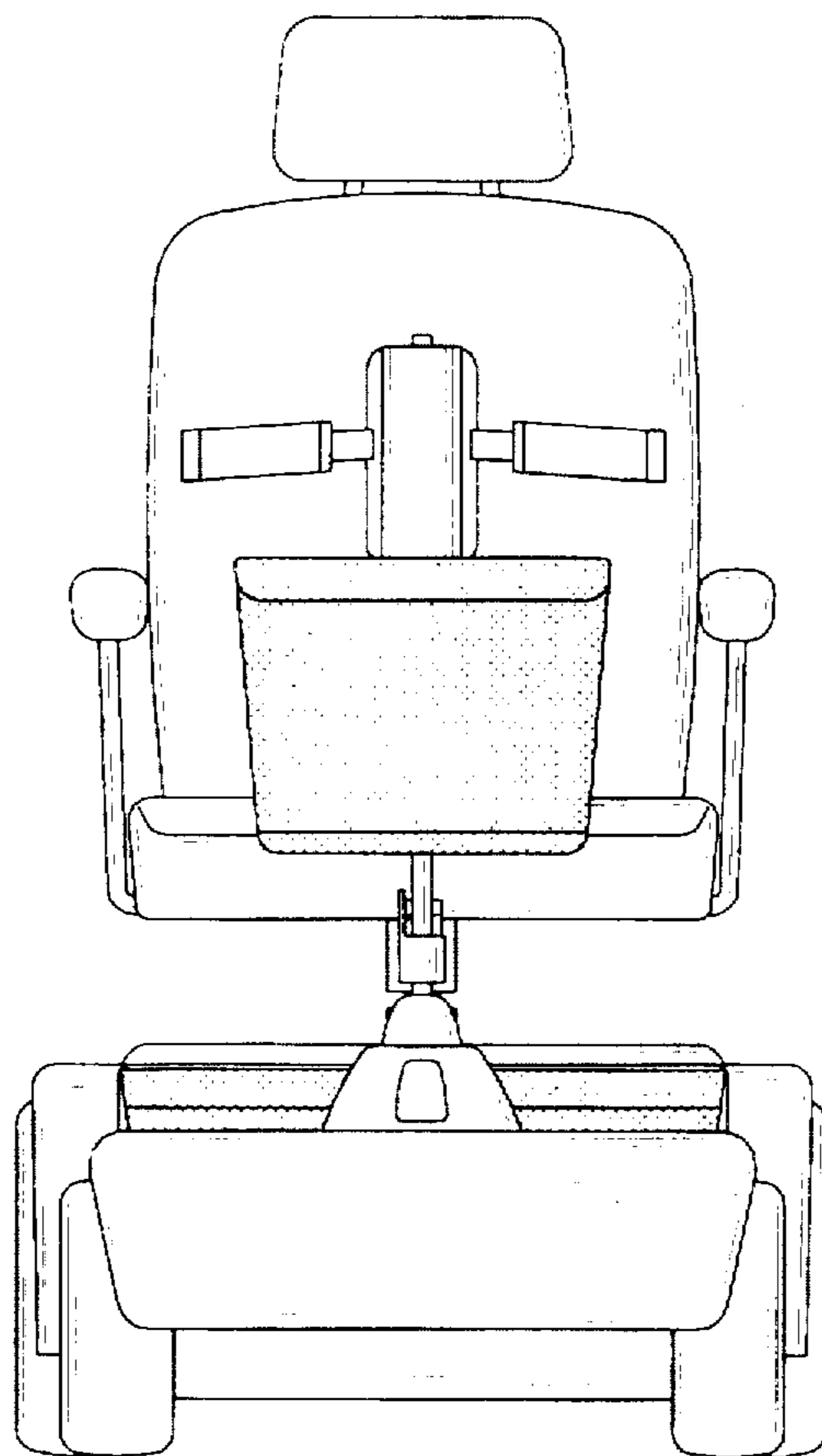


Fig. 1

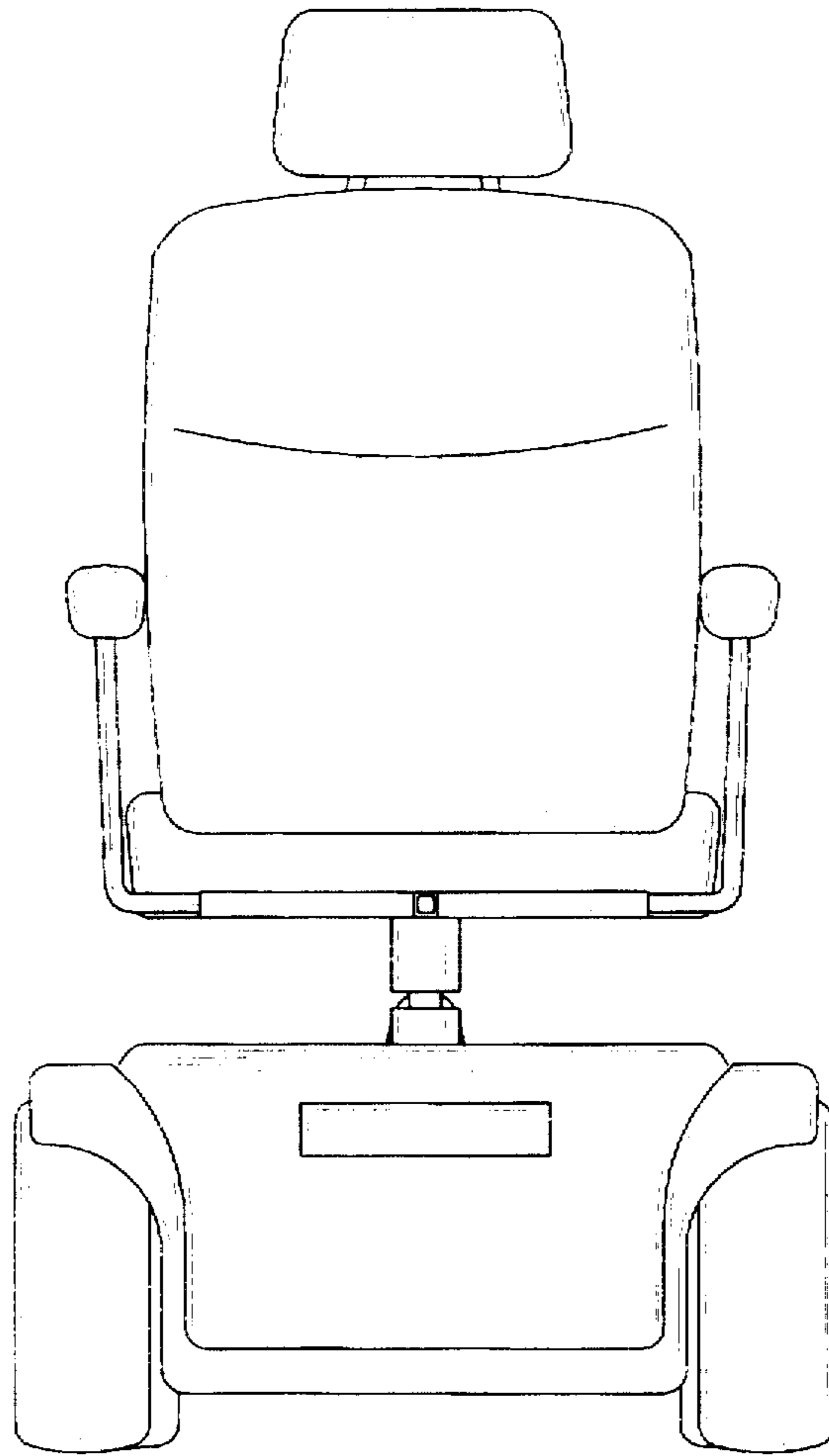


Fig.2

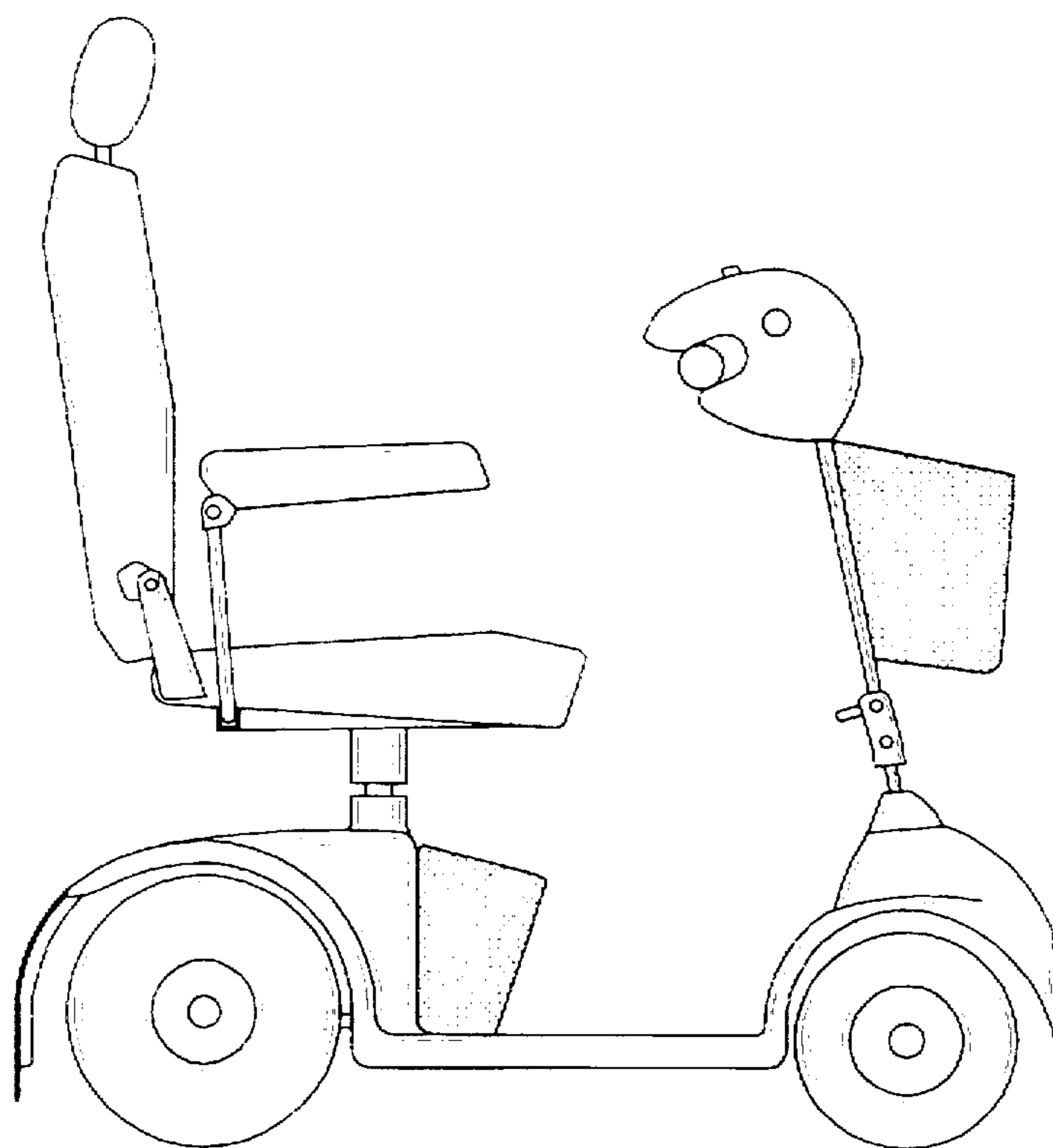


Fig.3

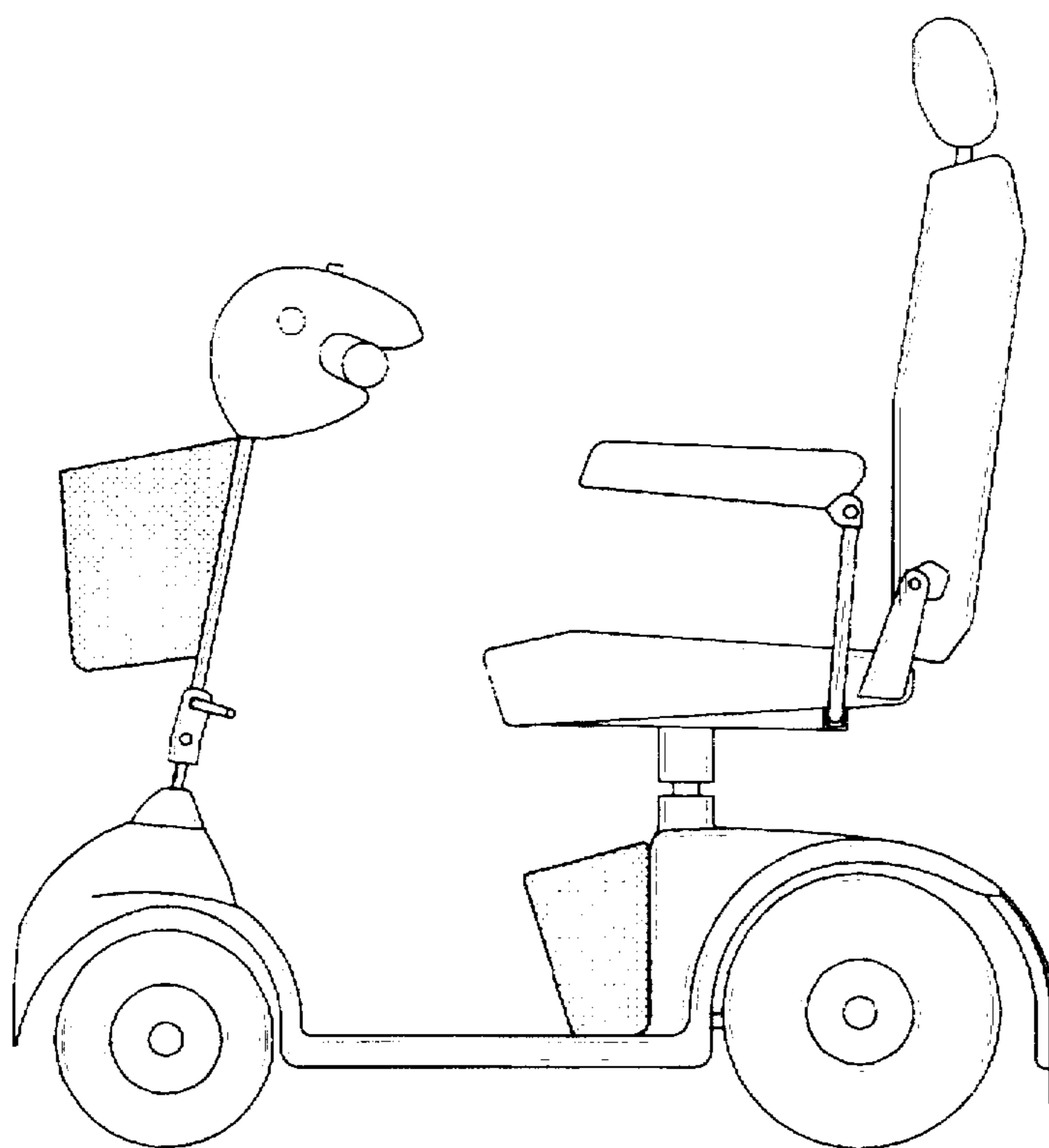


Fig.4

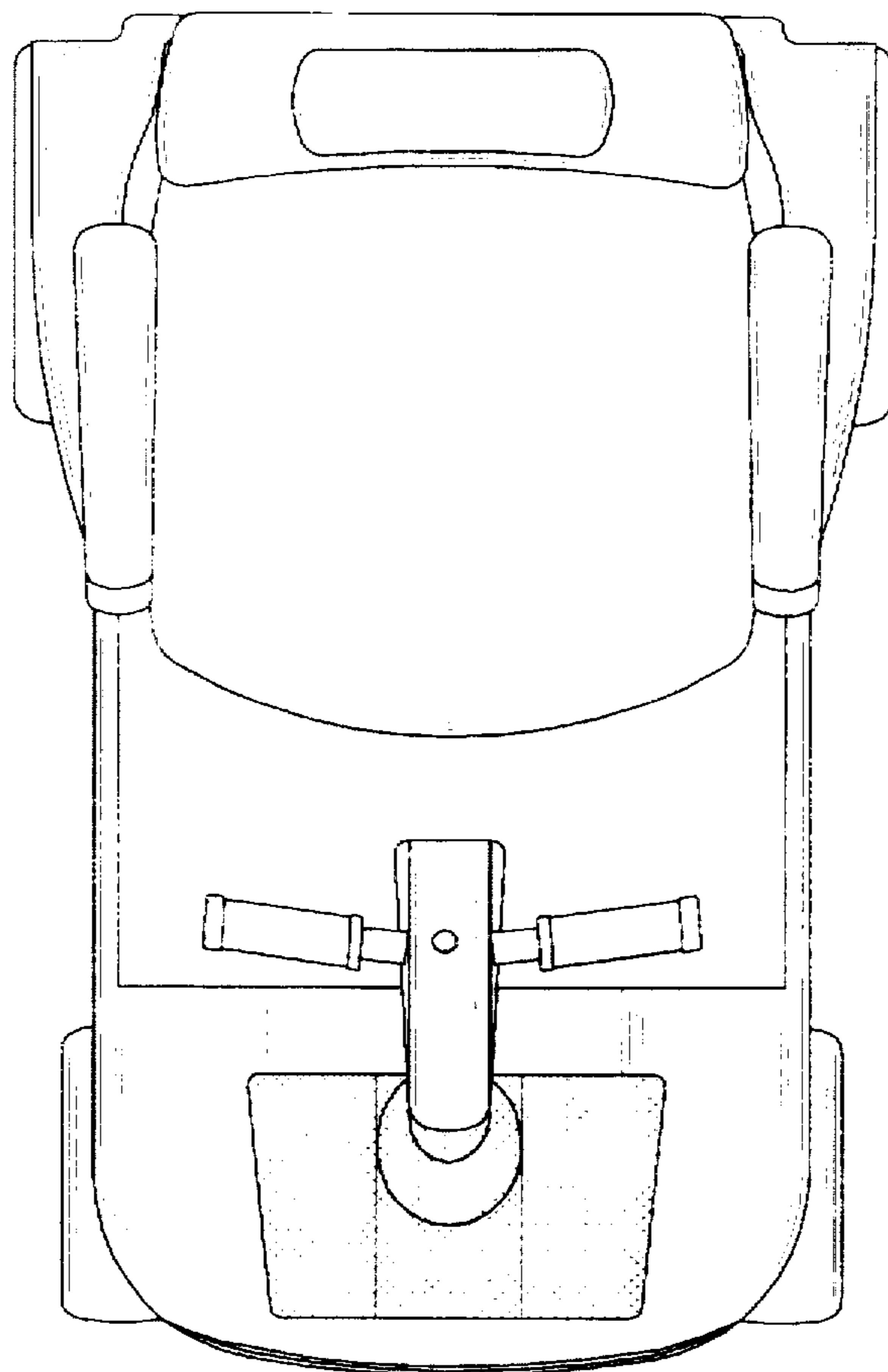


Fig. 5

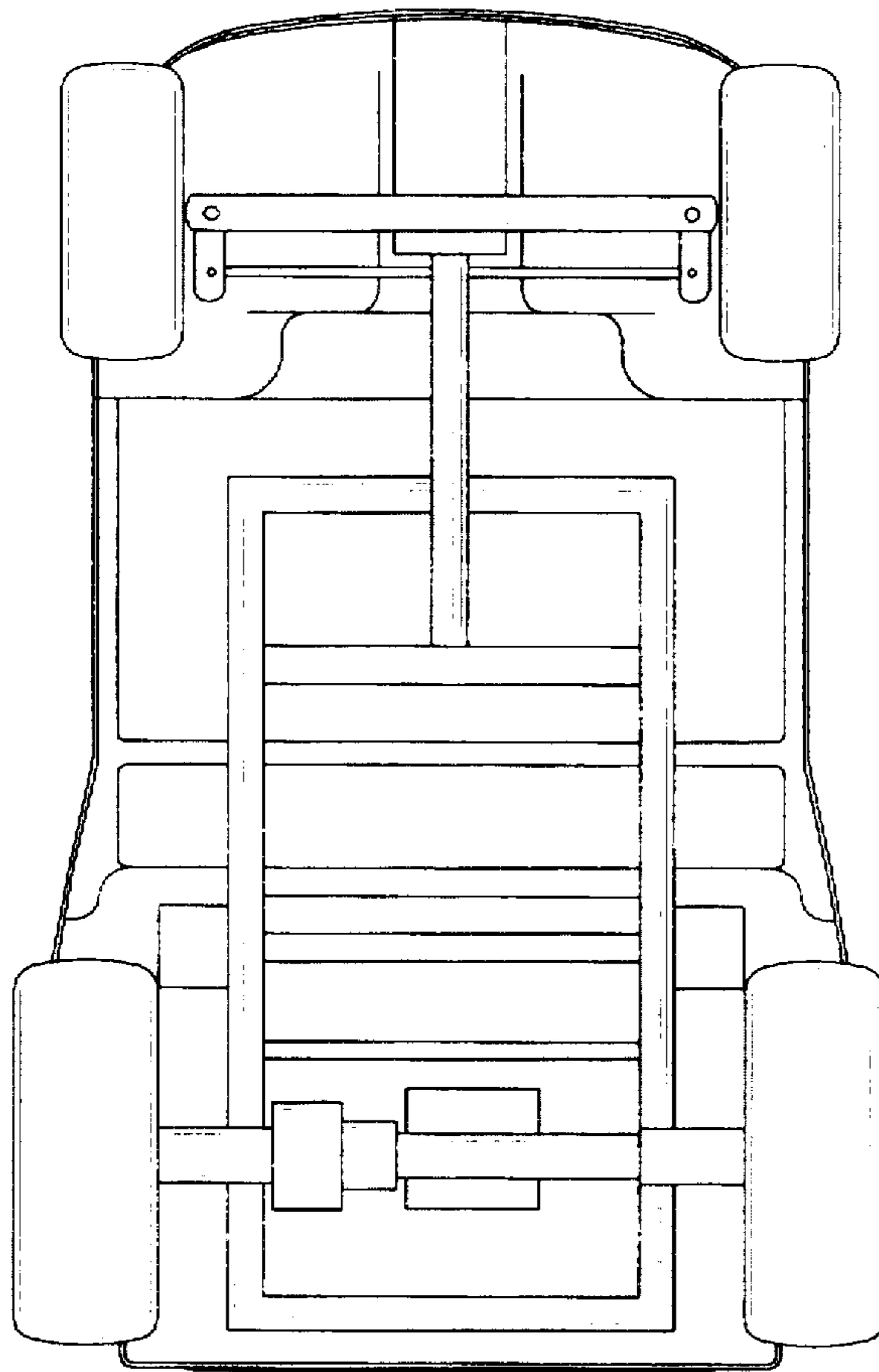


Fig.6

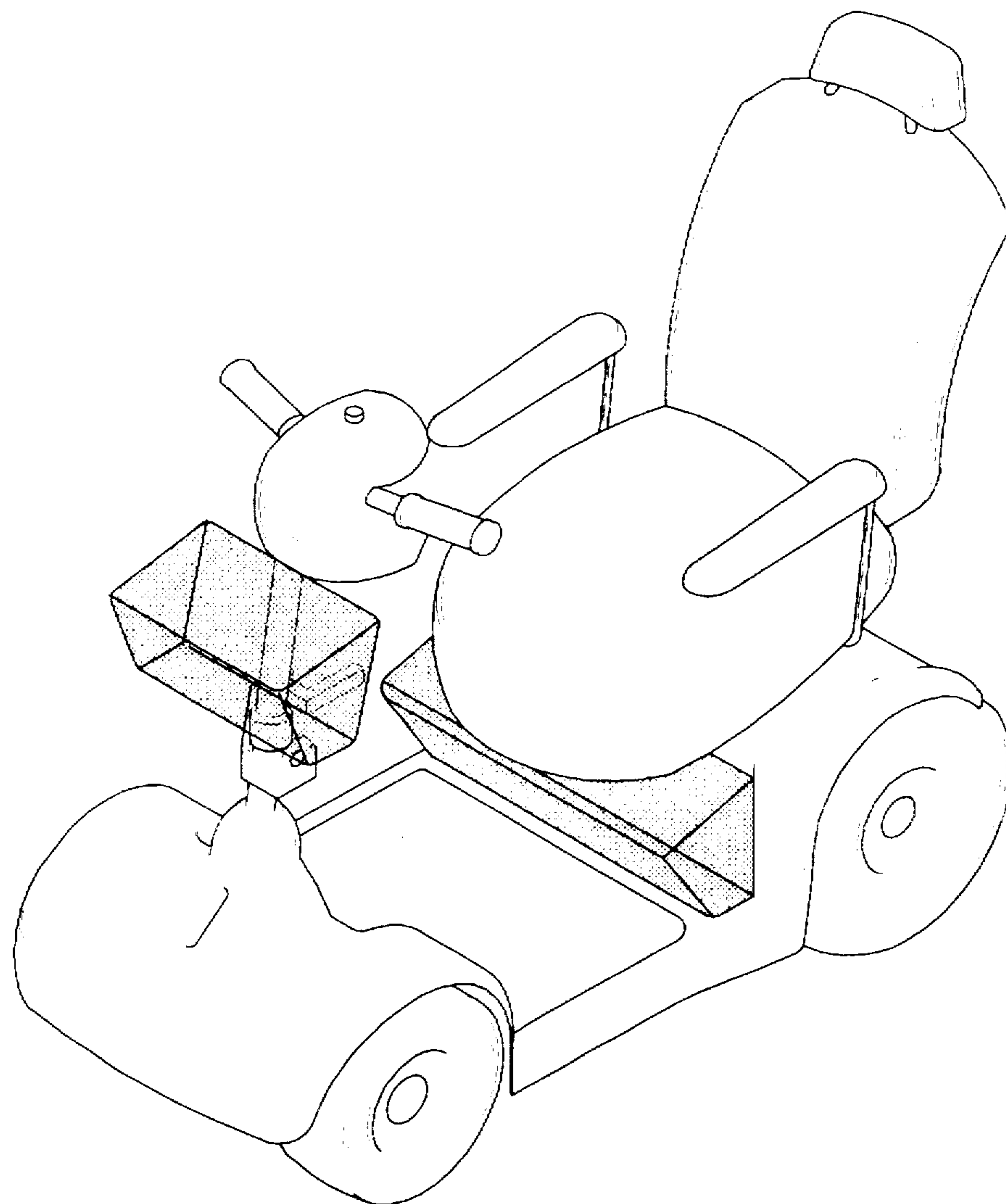


Fig.7