



US00D396833S

United States Patent [19]

Eidt et al.

[11] Patent Number: **Des. 396,833**

[45] Date of Patent: ****Aug. 11, 1998**

[54] **WHEELED WALKER**

[76] Inventors: **Beau Eidt; John B. Jamison**, both of
Rte. 1 Box 475, Marks, Miss. 38646

[**] Term: **14 Years**

[21] Appl. No.: **72,189**

[22] Filed: **Jun. 12, 1997**

[51] **LOC (6) Cl.** **12-12**

[52] **U.S. Cl.** **D12/130; D12/128; D12/112**

[58] **Field of Search** **D12/128, 130,**
D12/112; 135/67, 72, 75, 65; 280/87.2,
87.1

[56] **References Cited**

U.S. PATENT DOCUMENTS

D. 363,904 11/1995 Slone D12/130
5,158,313 10/1992 Becker 135/67 X

Primary Examiner—Kay H. Chin

[57] **CLAIM**

The ornamental design for a wheeled walker, as shown.

DESCRIPTION

FIG. 1 is a front plan view of the wheeled walker of the present invention;

FIG. 2 is a back plan view of the wheeled walker of FIG. 1;

FIG. 3 is a left side plan view of the wheeled walker of FIG. 1;

FIG. 4 is a right side plan view of the wheeled walker of FIG. 1;

FIG. 5 is a top plan view of the wheeled walker of FIG. 1; and,

FIG. 6 is a bottom plan view of the wheeled walker of FIG. 1.

1 Claim, 3 Drawing Sheets

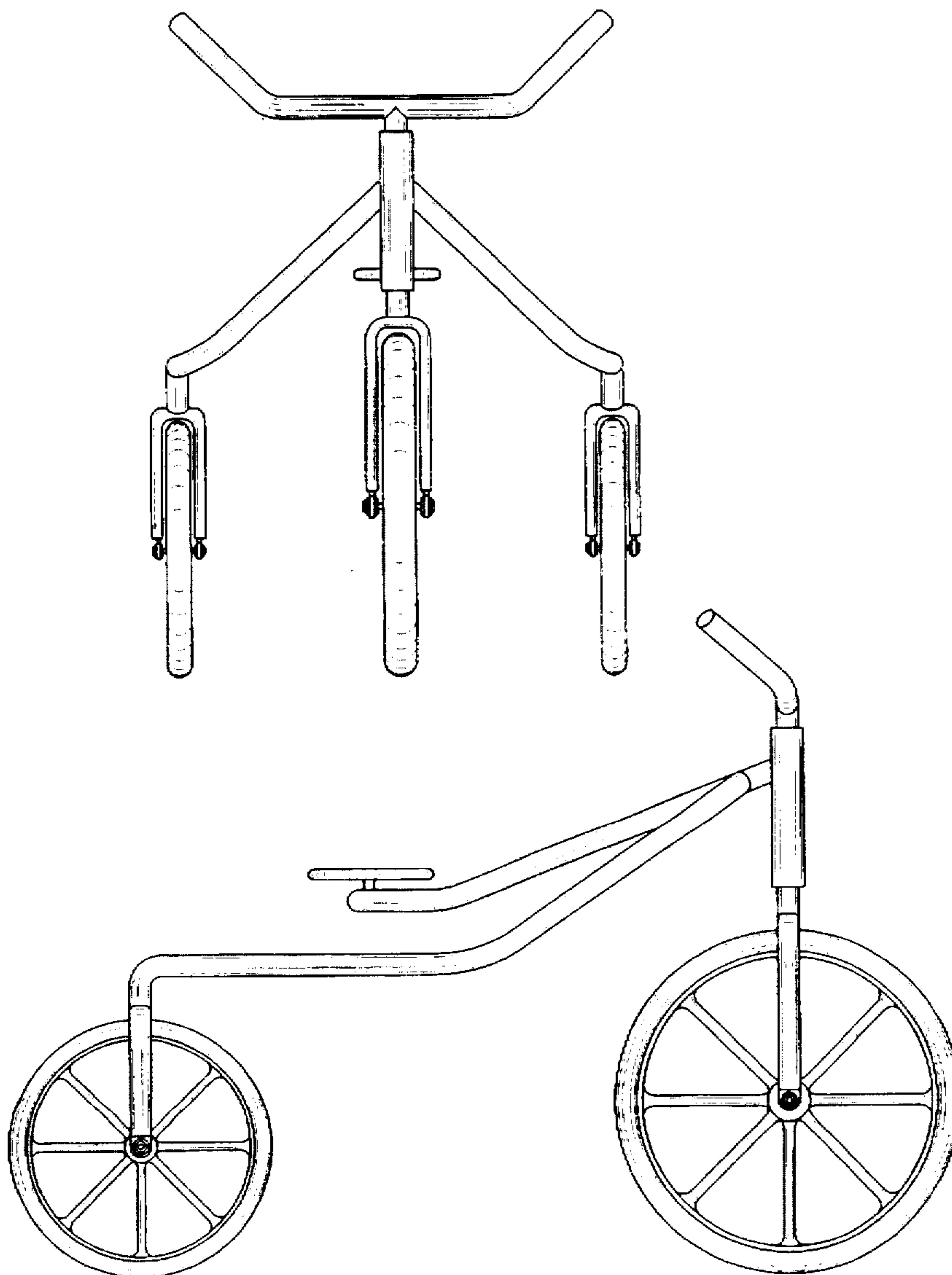


FIG. 1

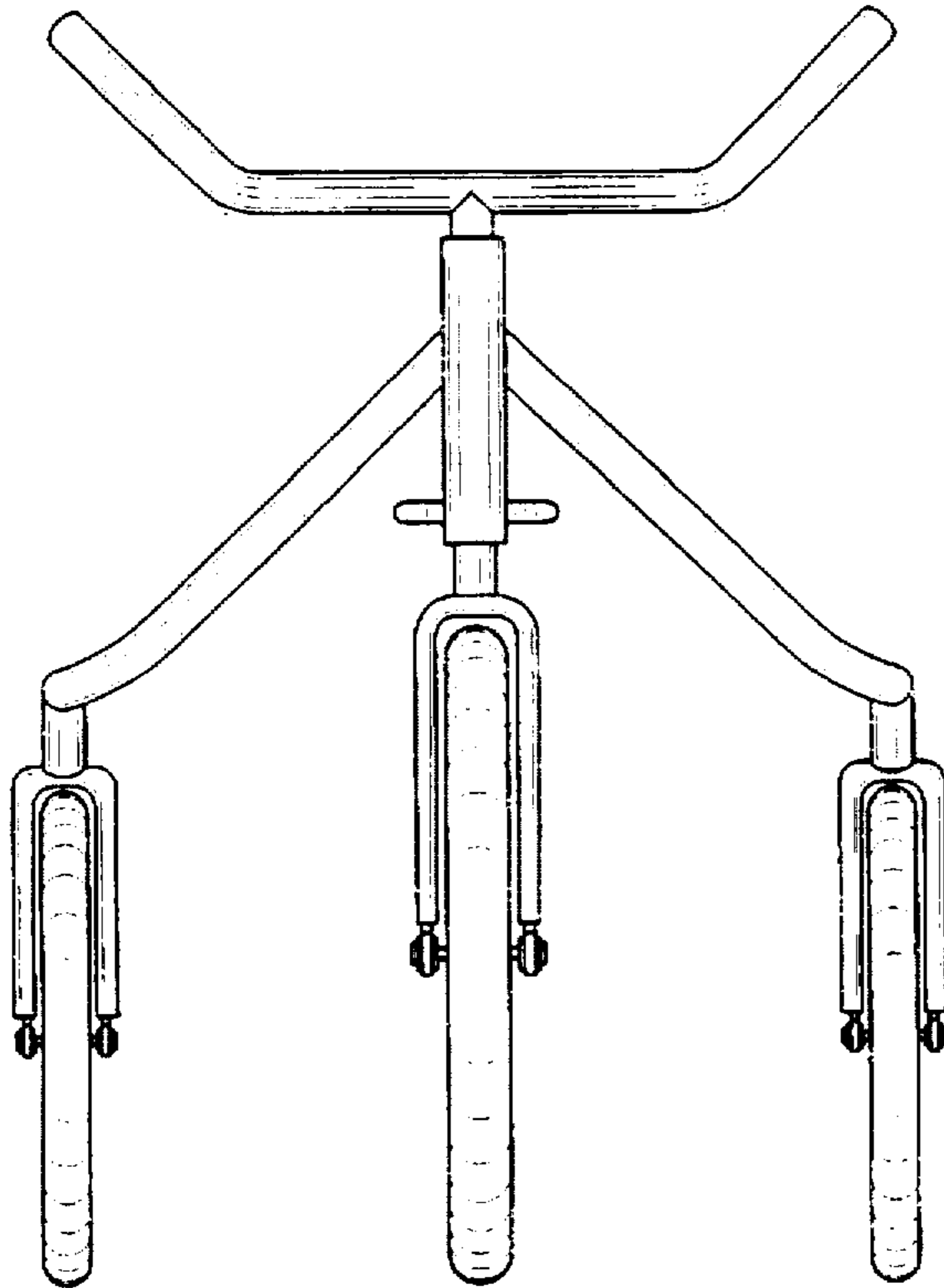


FIG. 2

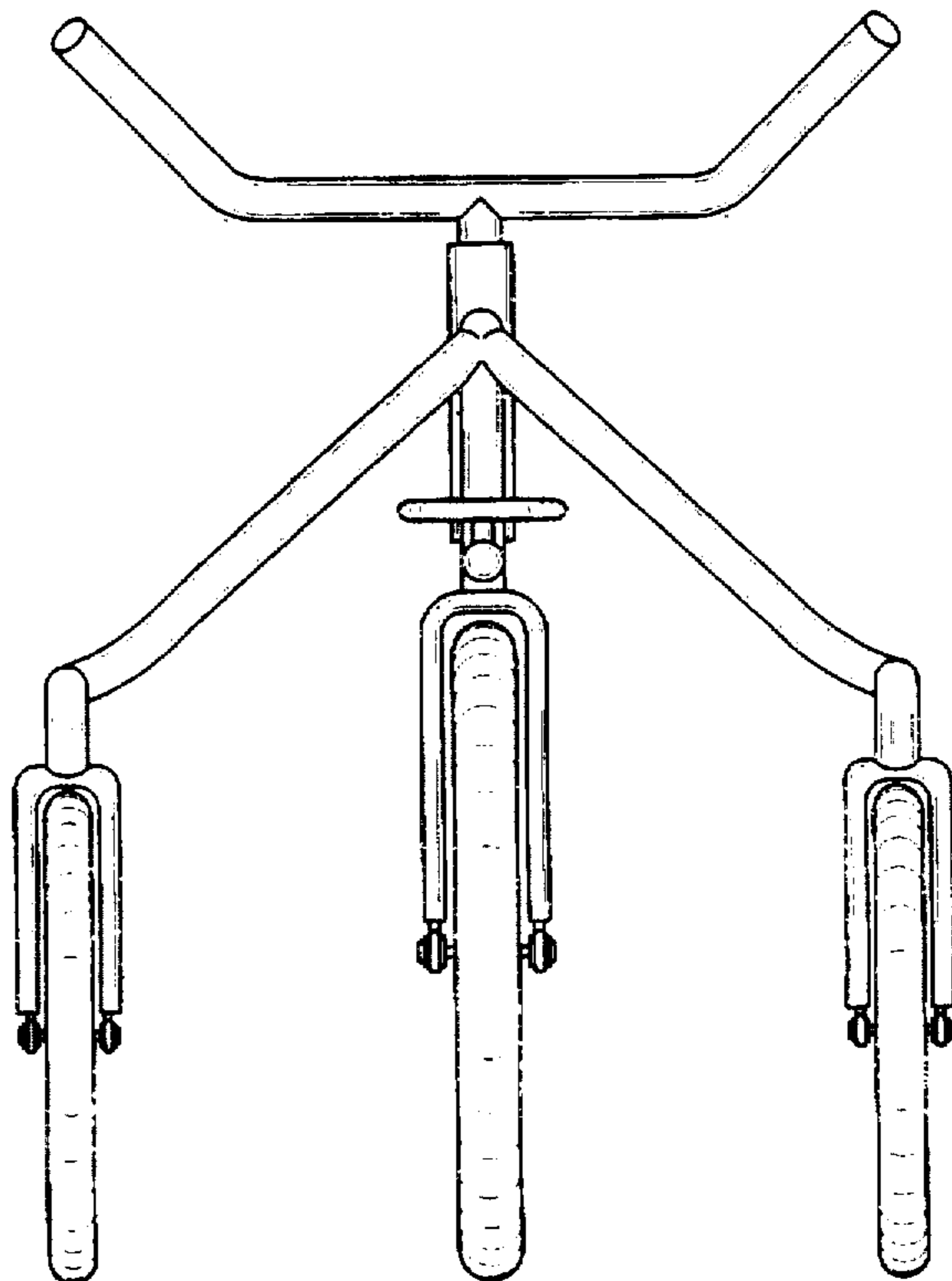


FIG. 3

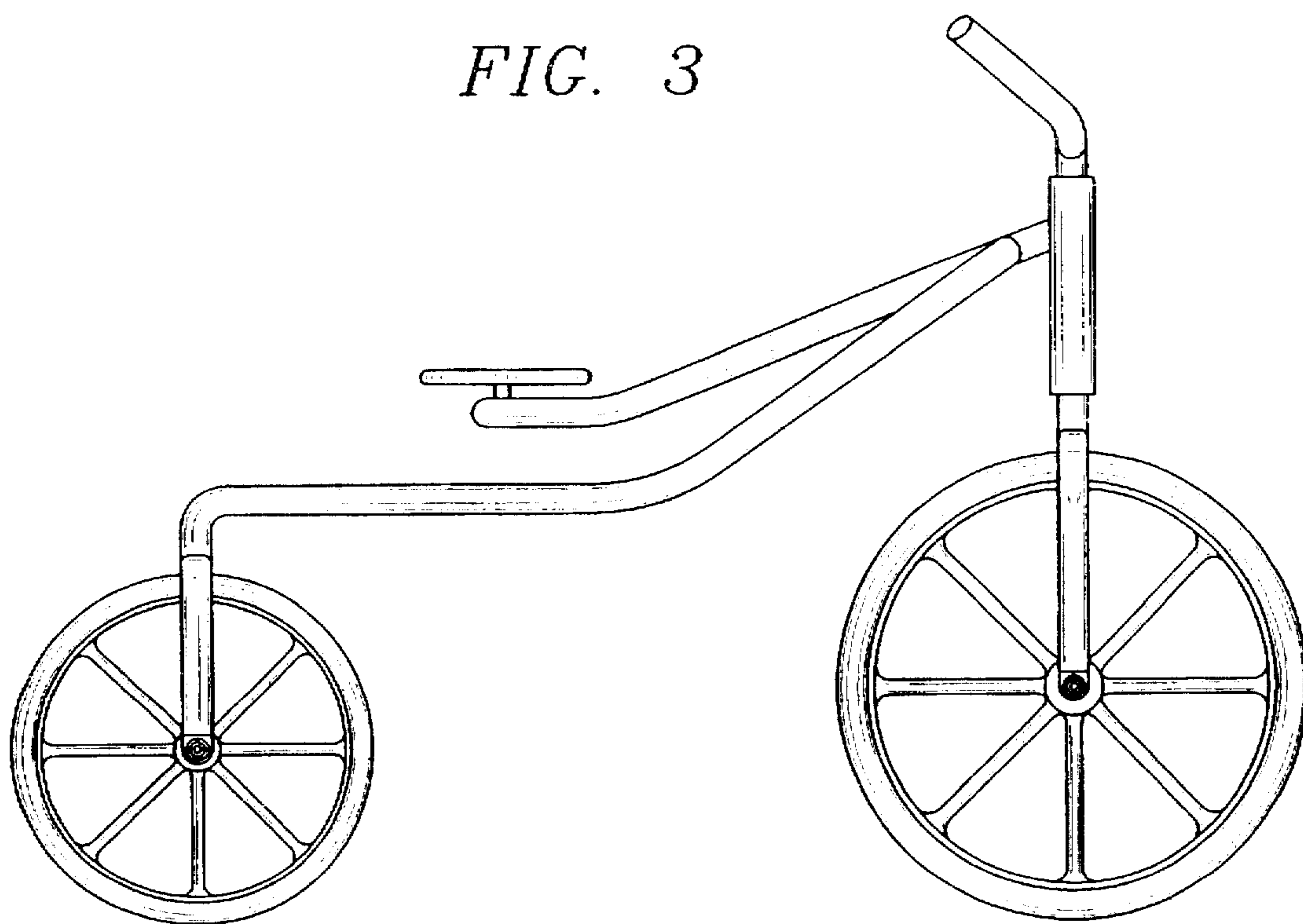


FIG. 4

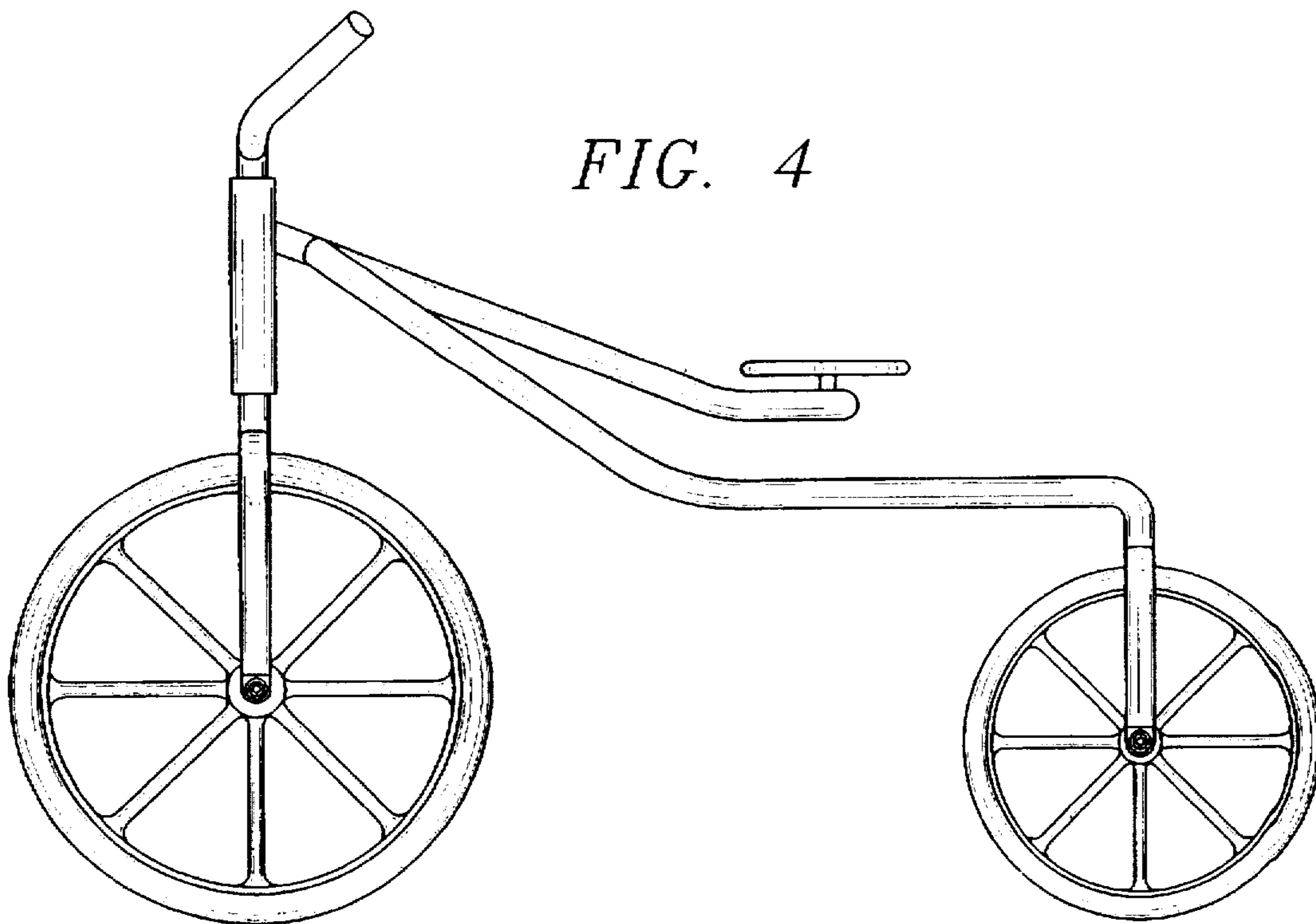


FIG. 5

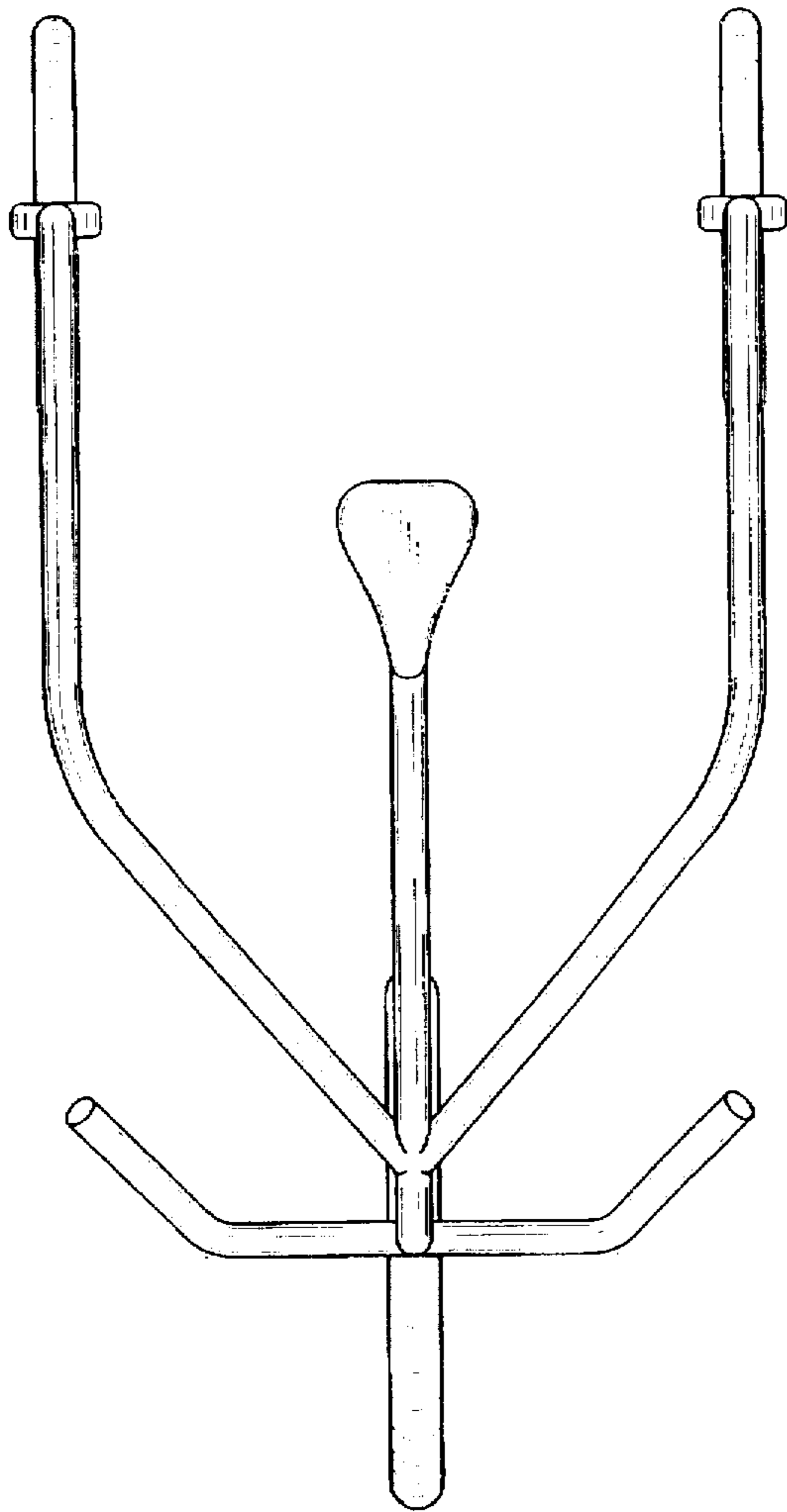


FIG. 6

