



US00D396817S

United States Patent [19]
Webb

[11] **Patent Number:** **Des. 396,817**
[45] **Date of Patent:** ****Aug. 11, 1998**

[54] **ROTARY BASE ASSEMBLY FOR LASER LEVELS**

Primary Examiner—Antoine Duval Davis
Attorney, Agent, or Firm—Roger A. Marrs

[76] **Inventor:** **James Webb**, 4025 Spencer St., Suite 304, Torrance, Calif. 90503

[57] **CLAIM**

[**] **Term:** **14 Years**

The ornamental design for rotary base assembly for laser levels, as shown and described.

[21] **Appl. No.:** **81,329**

DESCRIPTION

[22] **Filed:** **Dec. 11, 1997**

FIG. 1 is a front perspective view showing my design for a rotary base assembly for laser levels;

[51] **LOC (6) Cl.** **10-04**

FIG. 2 is a top plan view thereof;

[52] **U.S. Cl.** **D10/74; D10/66; D10/69**

FIG. 3 is a side elevational view taken from the right side thereof;

[58] **Field of Search** D10/66, 69, 74;
33/290-291, 282, 365-376; 356/138-155,
244

FIG. 4 is a rear elevational view thereof; and,

FIG. 5 is a bottom view thereof.

[56] **References Cited**

U.S. PATENT DOCUMENTS

5,501,018 3/1996 Porter 33/290

1 Claim, 2 Drawing Sheets

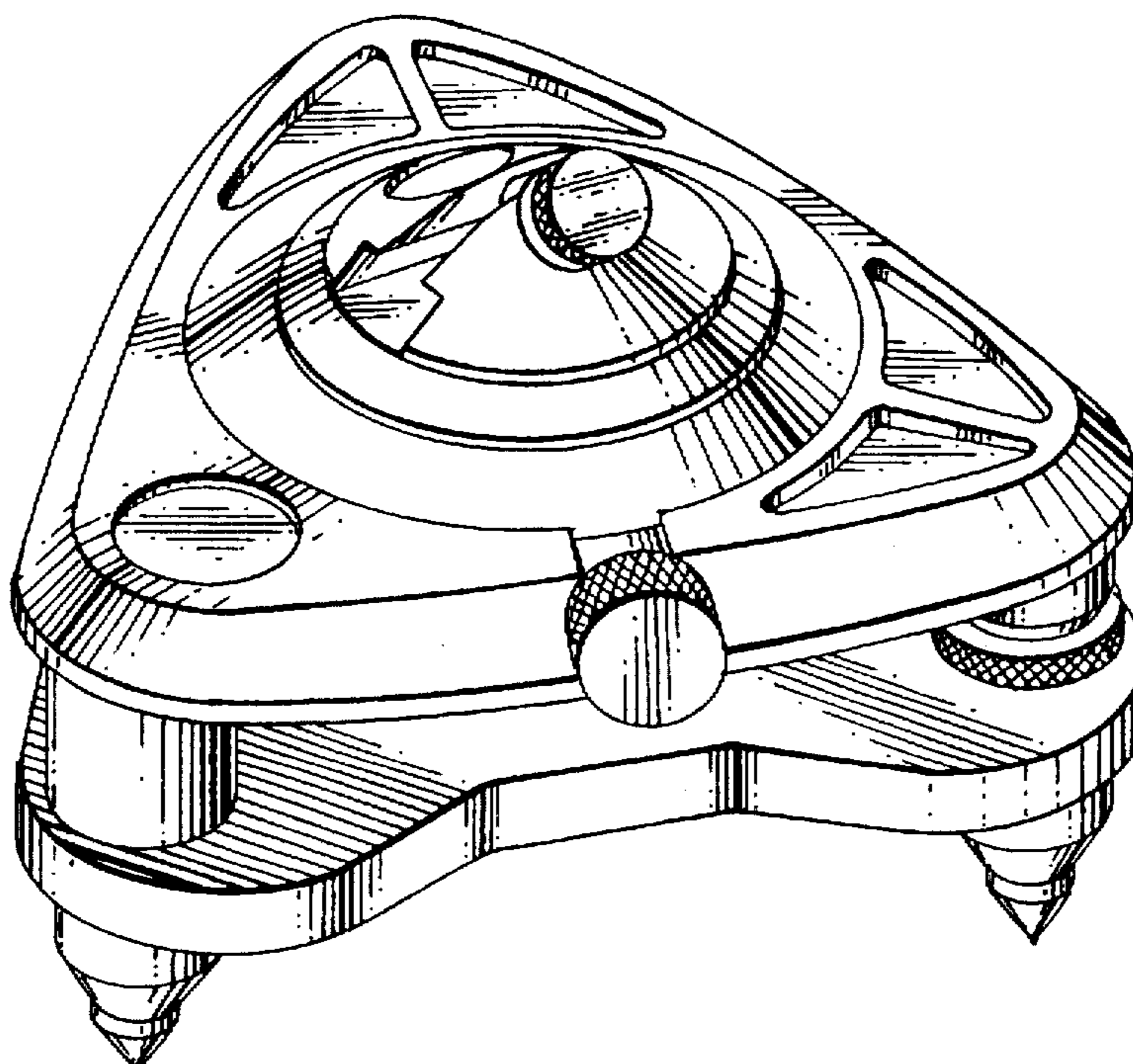


FIG. 1

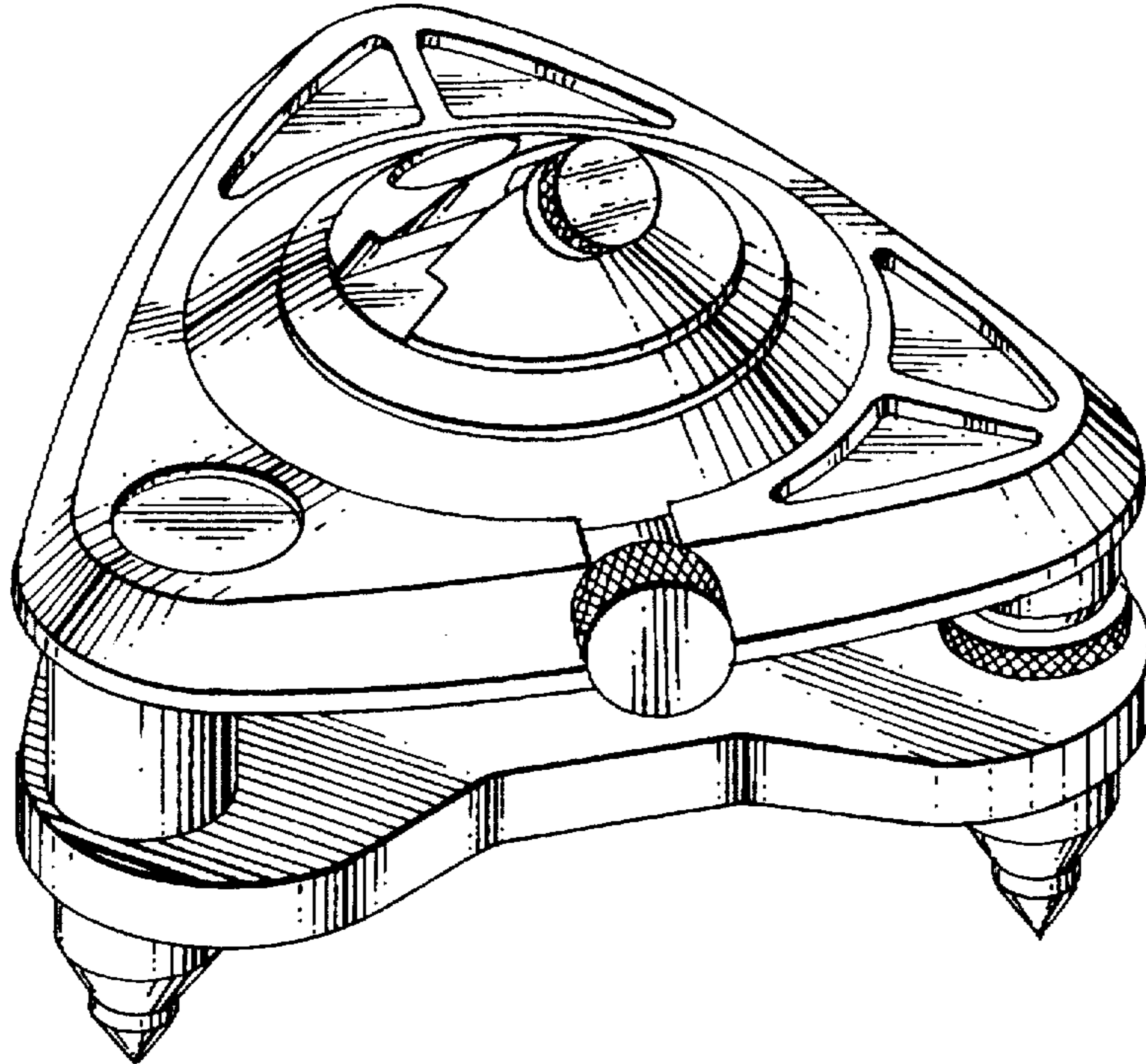
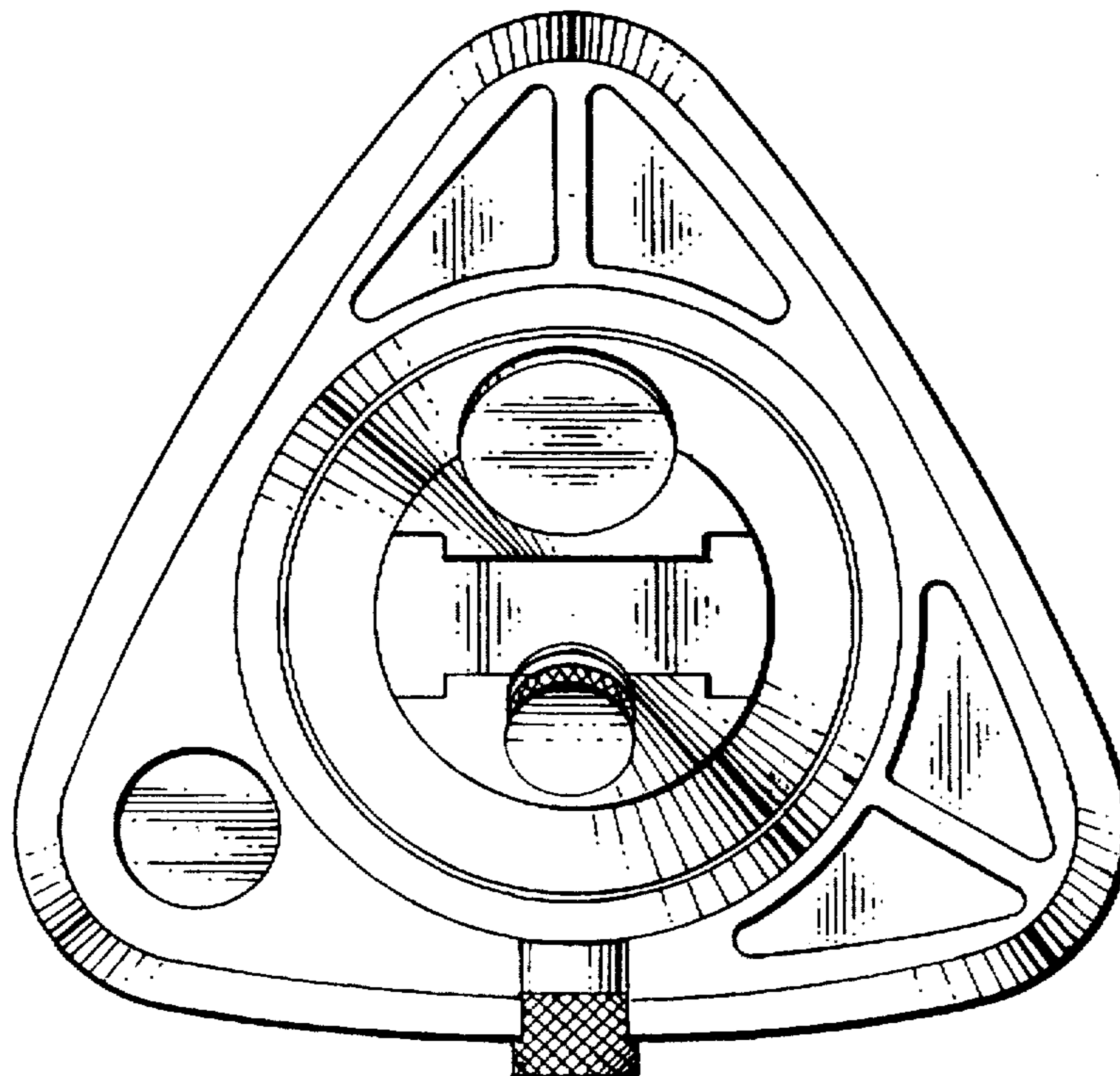


FIG. 2



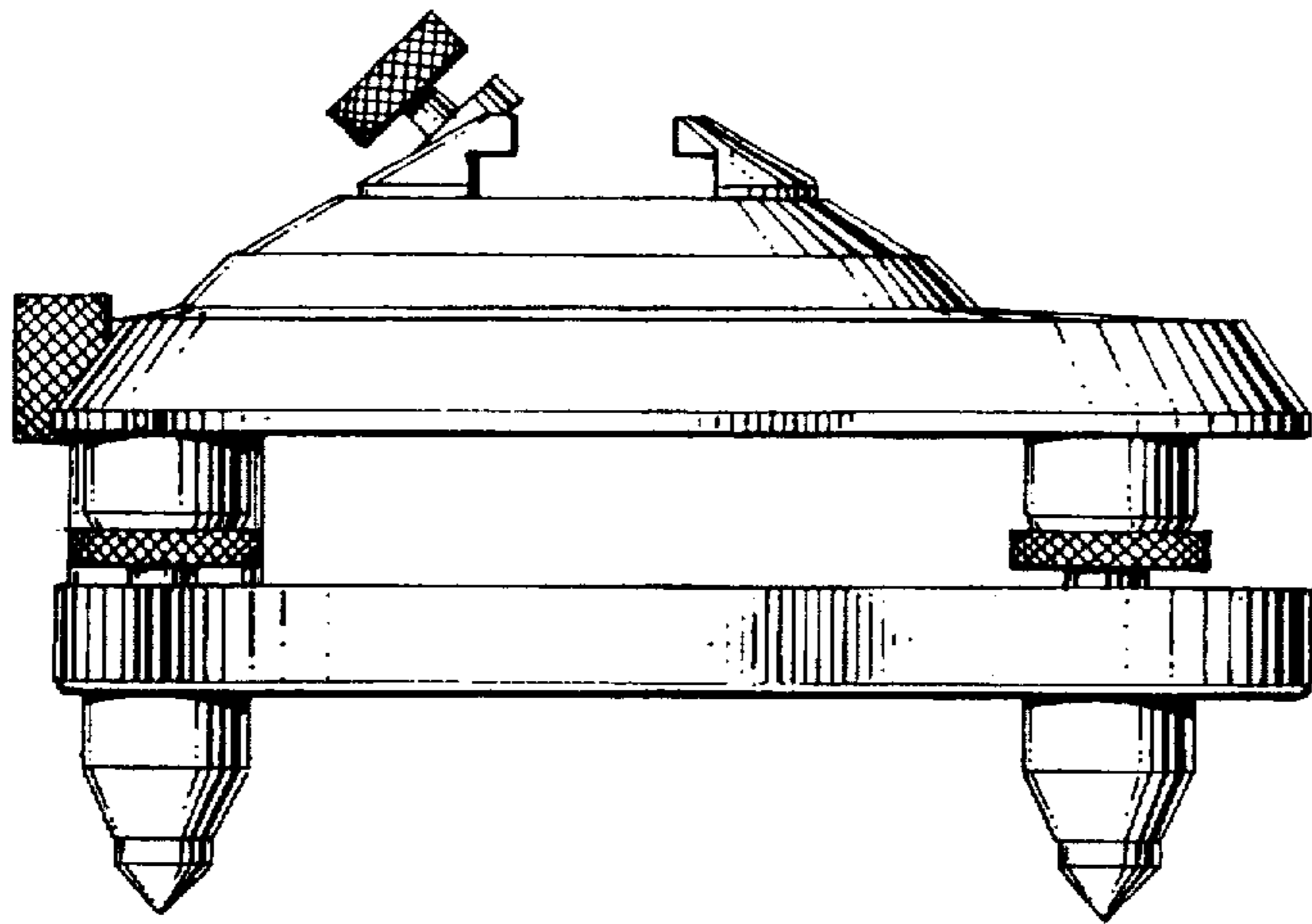


FIG. 3

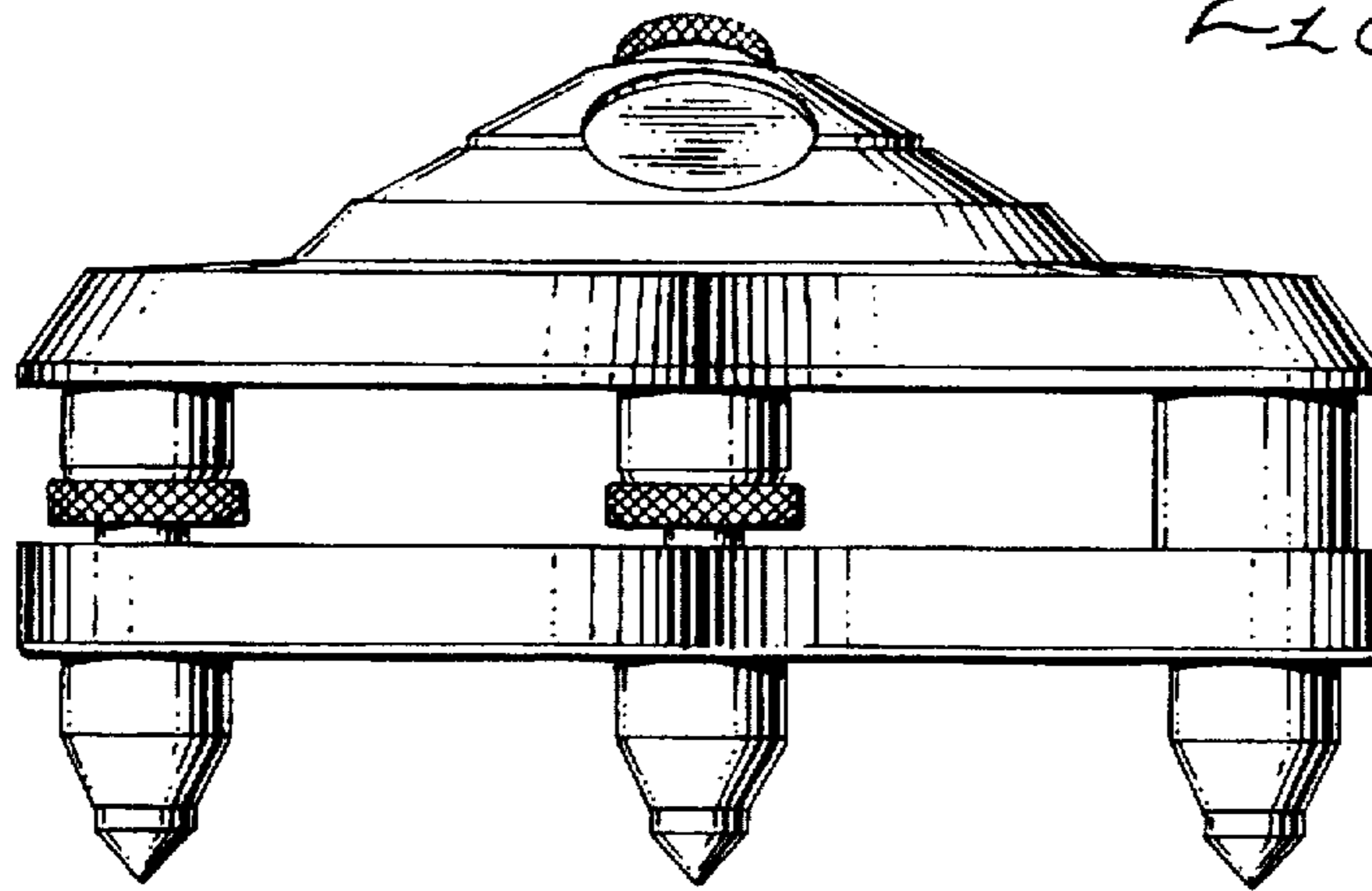


FIG. 4

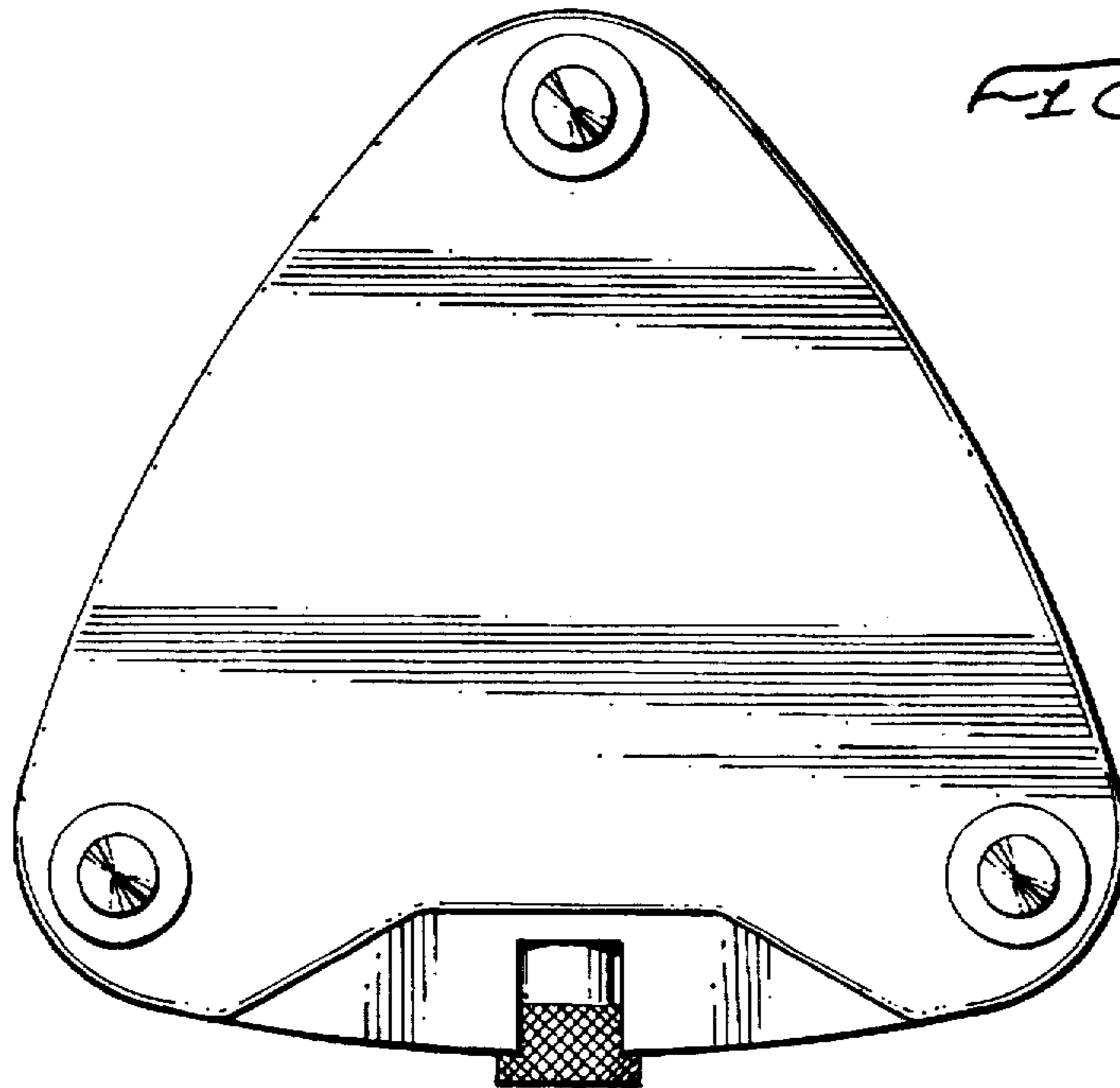


FIG. 5