



US00D396815S

United States Patent [19]
Richter

[11] **Patent Number: Des. 396,815**

[45] **Date of Patent: **Aug. 11, 1998**

[54] **COMPASS WITH SUPPORT NECK**

[76] **Inventor: Herbert Richter, Drosselweg 8, 75331 Engelbrand, Germany**

[**] **Term: 14 Years**

[21] **Appl. No.: 80,490**

[22] **Filed: Dec. 10, 1997**

[51] **LOC (6) Cl. 10-04**

[52] **U.S. Cl. D10/68**

[58] **Field of Search D10/68; 33/355 R-364, 33/268, 273, 272, 271**

[56] **References Cited**

U.S. PATENT DOCUMENTS

D. 217,696	5/1970	Fitzpatrick et al.	D10/68
D. 263,379	3/1982	Uchiyama	D10/68
D. 299,908	2/1989	Miyazima	D10/68
4,309,828	1/1982	Sakamoto	33/355 R
4,670,988	6/1987	Baxter	33/355 R X

Primary Examiner—Antoine Duval Davis
Attorney, Agent, or Firm—Klaus J. Bach

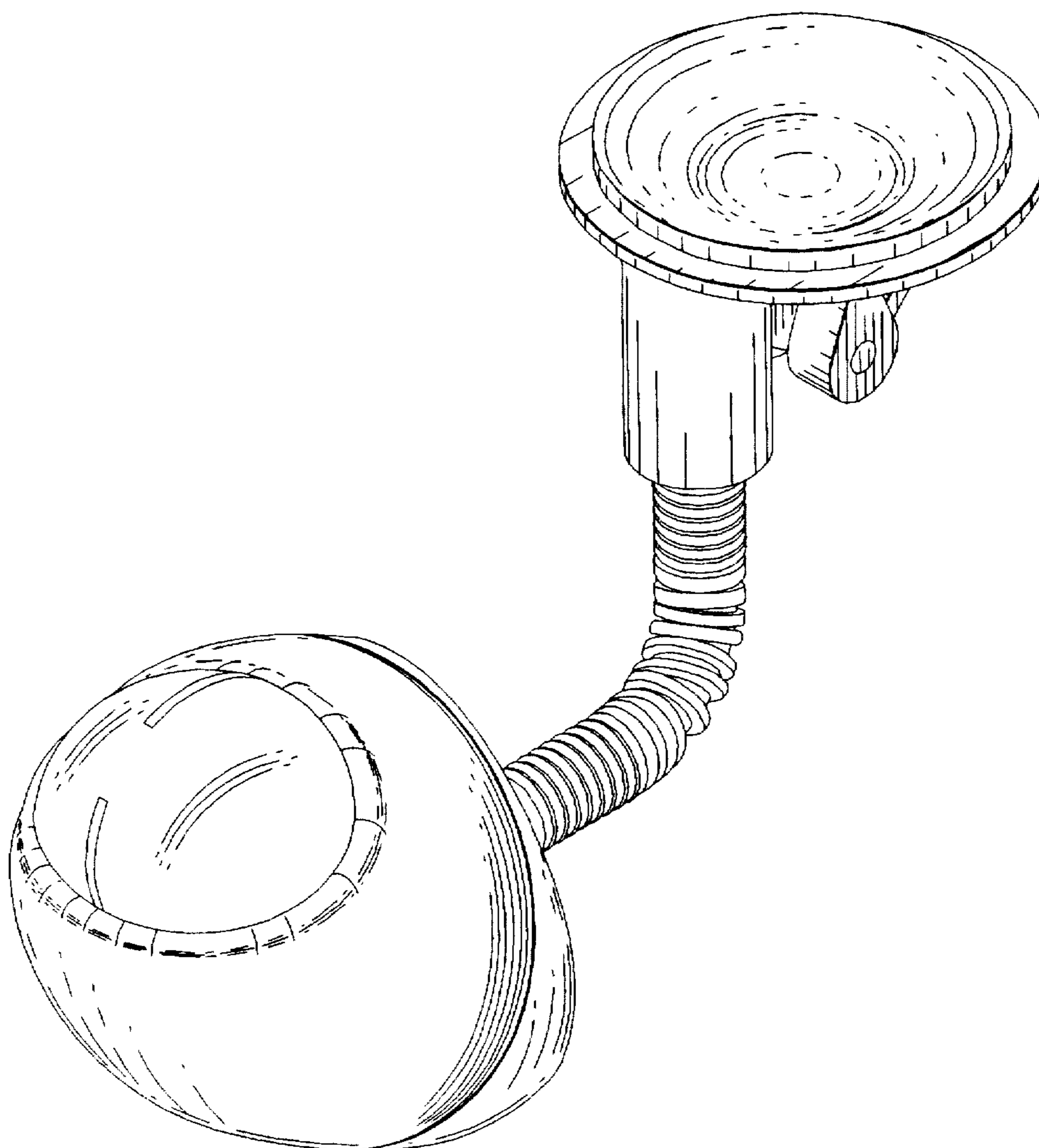
[57] **CLAIM**

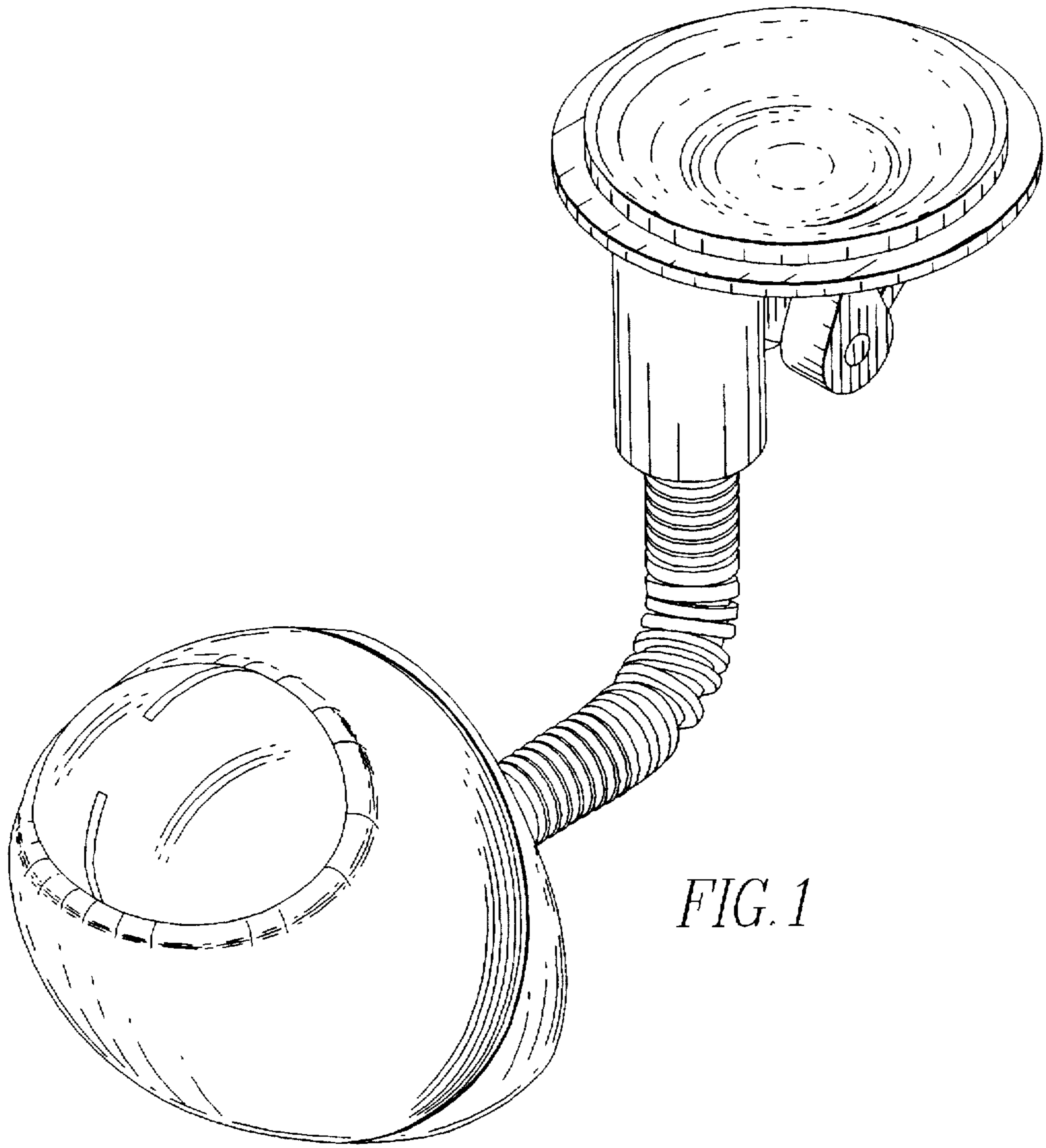
The ornamental design for a compass with support neck, as shown and described.

DESCRIPTION

FIG. 1 is a perspective view of the compass with support neck;
 FIG. 2 is a front end view of the compass with support neck shown in FIG. 1;
 FIG. 3 is a rear end view of compass with support neck shown in FIG. 1;
 FIG. 4 is a side view of the compass with support neck as seen from the right side of FIG. 2;
 FIG. 5 is a top view of the compass with support neck shown in FIG. 2; and,
 FIG. 6 is a bottom view of the compass with support neck shown in FIG. 2.

1 Claim, 3 Drawing Sheets





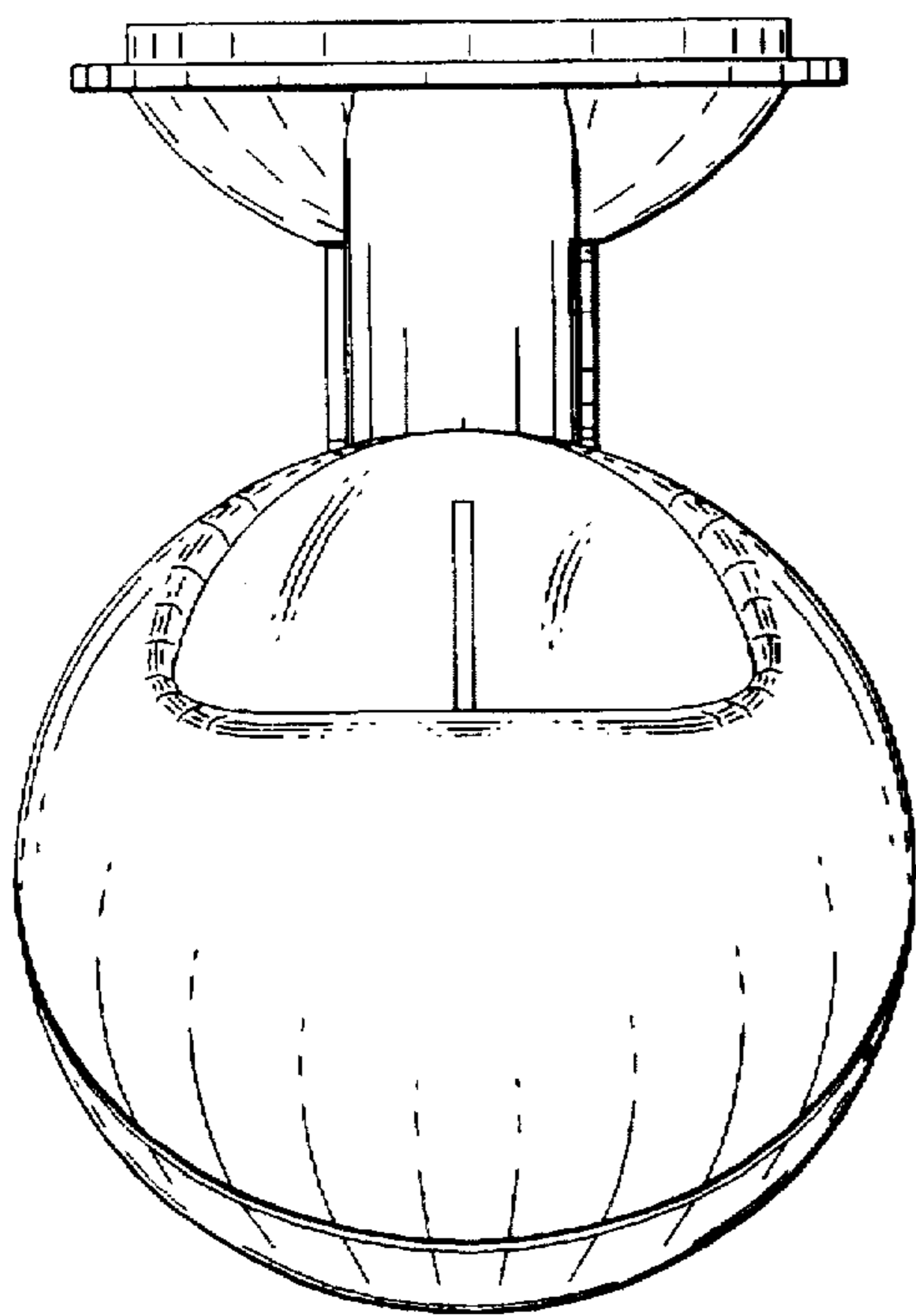


FIG. 2

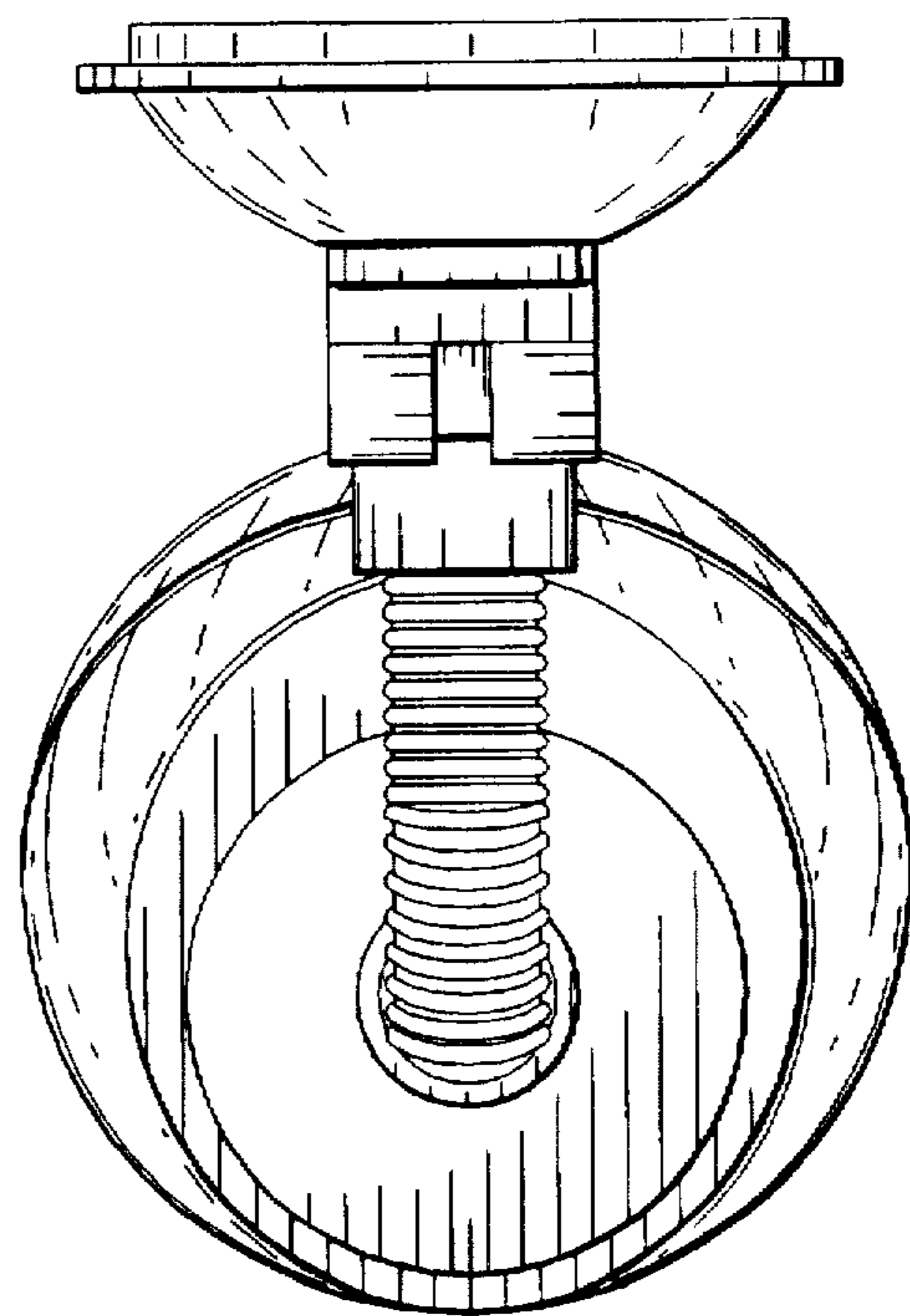


FIG. 3

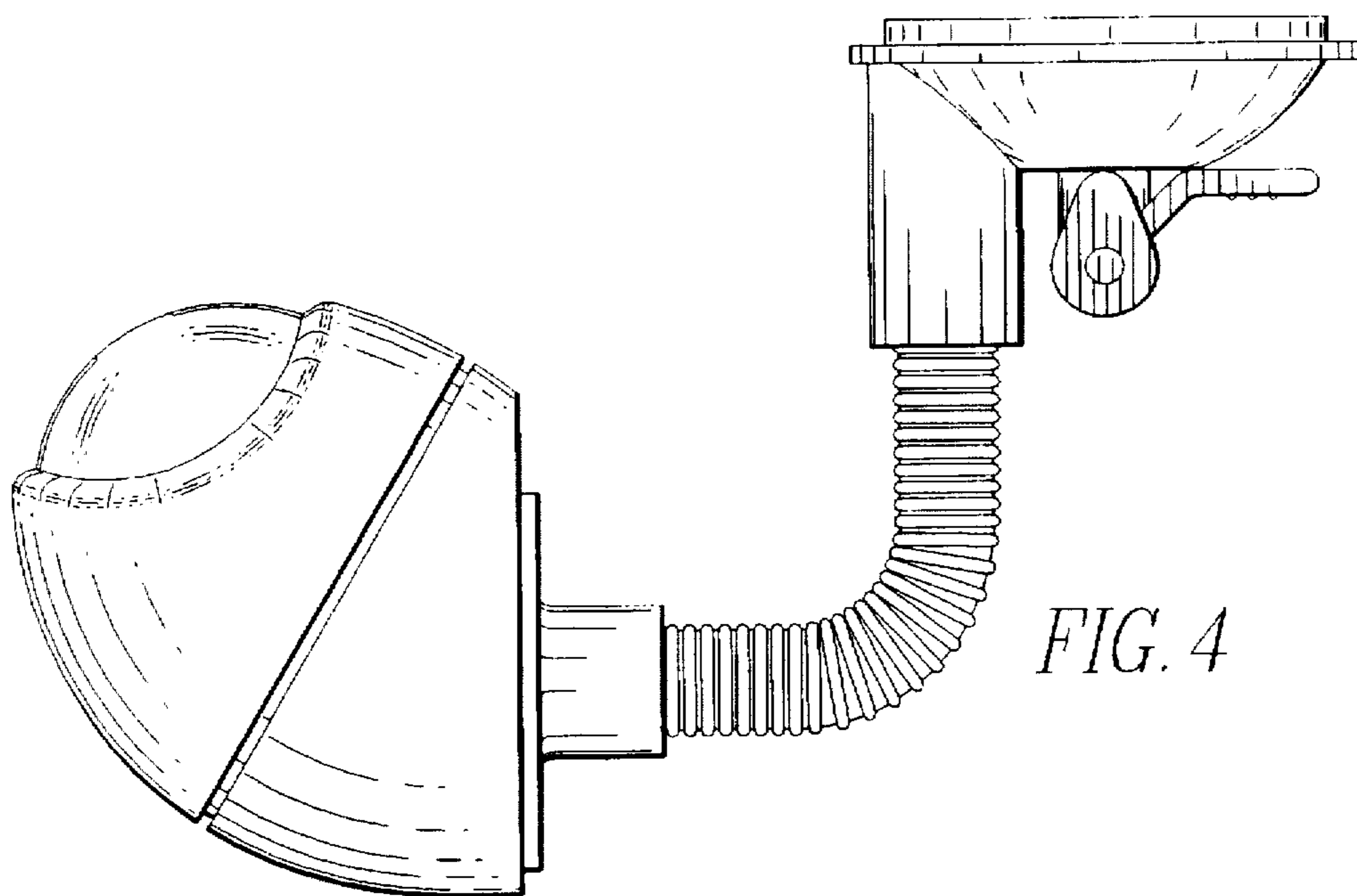


FIG. 4

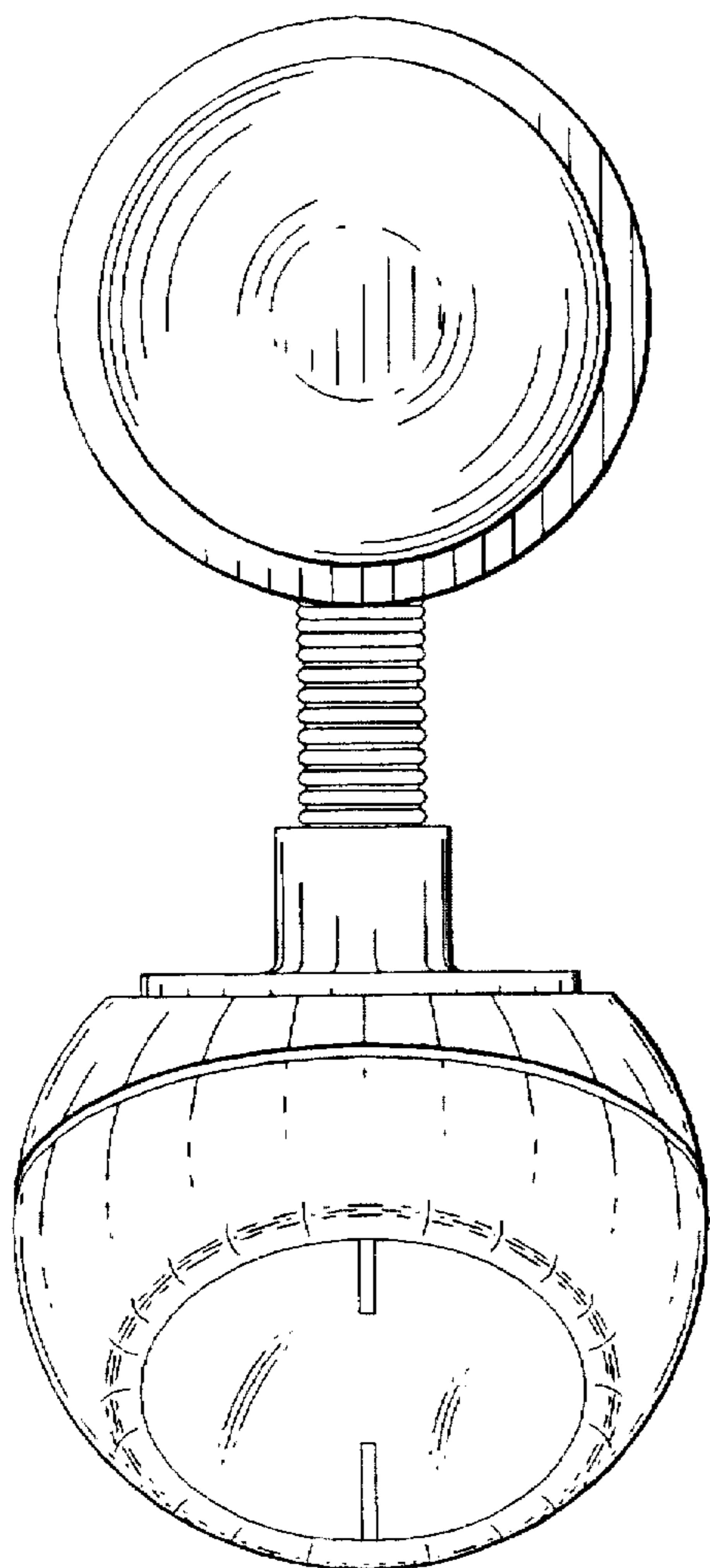


FIG. 5

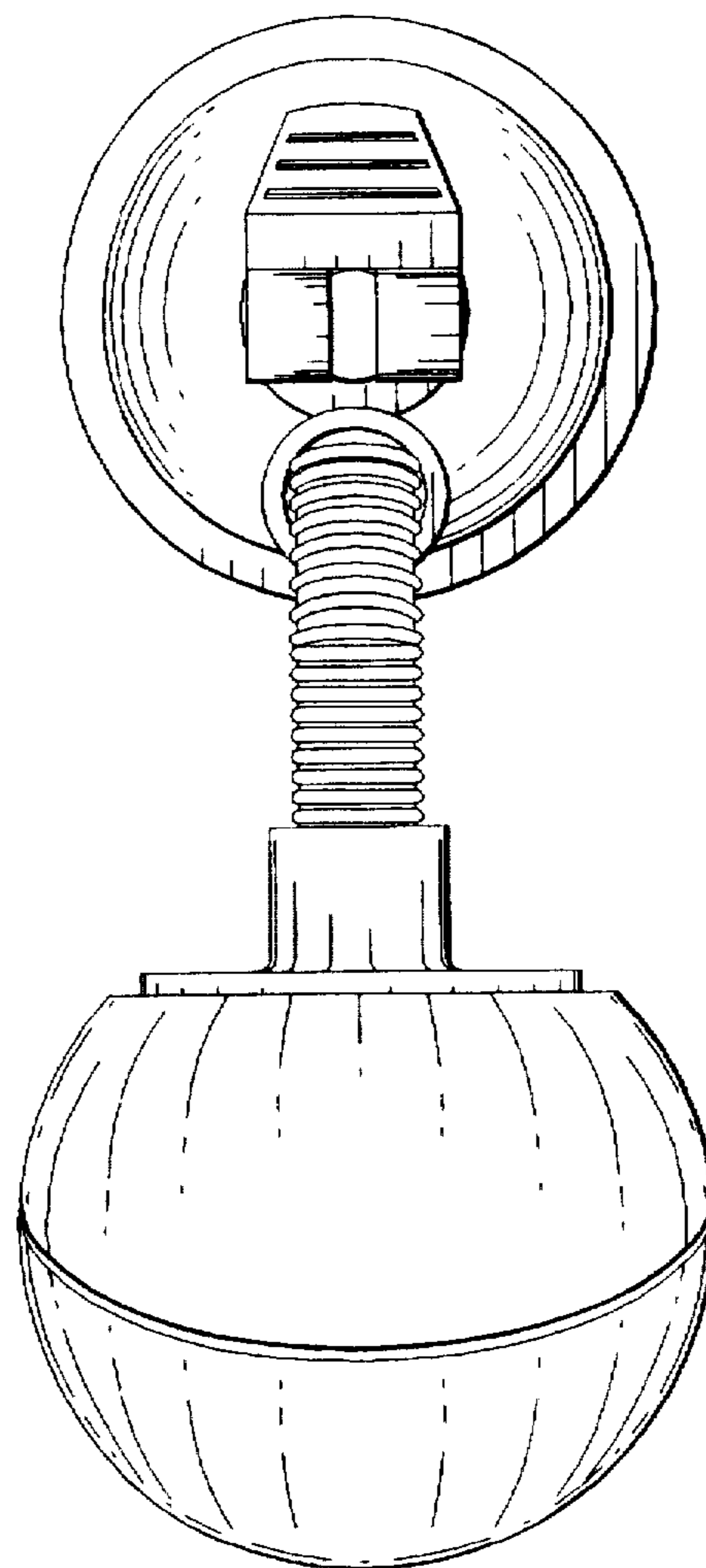


FIG. 6