



US00D396808S

United States Patent [19]

Maria Camps et al.

[11] **Patent Number: Des. 396,808**

[45] **Date of Patent: **Aug. 11, 1998**

[54] **CONTAINER**

[75] **Inventors: An Josepha Maria Camps, Grimbergen; Tanya Cecile Corneel Van Rompuy, Mechelen; Carol Smith, Brussel, all of Belgium; Steven Frederick Kelsey, Ealing, United Kingdom**

[73] **Assignee: The Procter & Gamble Company, Cincinnati, Ohio**

[**] **Term: 14 Years**

[21] **Appl. No.: 49,893**

[22] **Filed: Feb. 2, 1996**

[30] **Foreign Application Priority Data**

Aug. 4, 1995 [FR] France 954392

[51] **LOC (6) Cl. 09-01**

[52] **U.S. Cl. D9/527; D9/528**

[58] **Field of Search D9/528, 526, 525, D9/337, 527, 529; 215/384, 385, 398**

[56] **References Cited**

U.S. PATENT DOCUMENTS

D. 197,581 2/1964 Trombly D9/528

- D. 210,113 2/1968 Gantz D9/528
- D. 225,395 12/1972 Jacob D9/528
- D. 316,369 4/1991 Thompson D9/528 X
- D. 352,459 11/1994 Pollacco D9/528

*Primary Examiner—Lucy Lieberman
Attorney, Agent, or Firm—William Scott Andes*

[57] **CLAIM**

The ornamental design for a container, as shown and described.

DESCRIPTION

FIG. 1 is a perspective view of a container, embodying our new design;

FIG. 2 is a side elevational view, the opposite side view being a mirror image thereof;

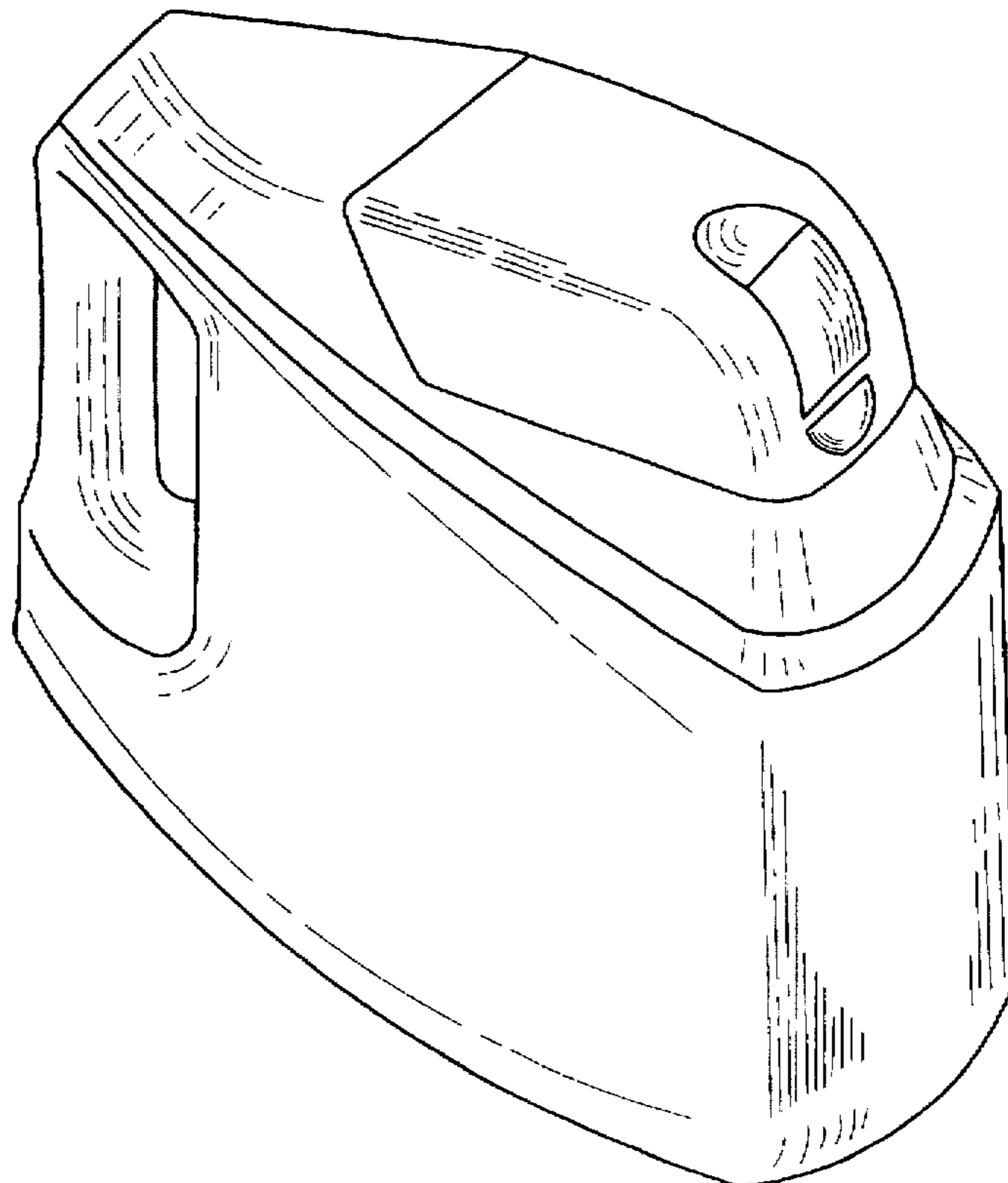
FIG. 3 is a top view thereof;

FIG. 4 is a front view thereof; and,

FIG. 5 is a back view thereof.

The bottom of the container forms no part of the claimed design.

1 Claim, 2 Drawing Sheets



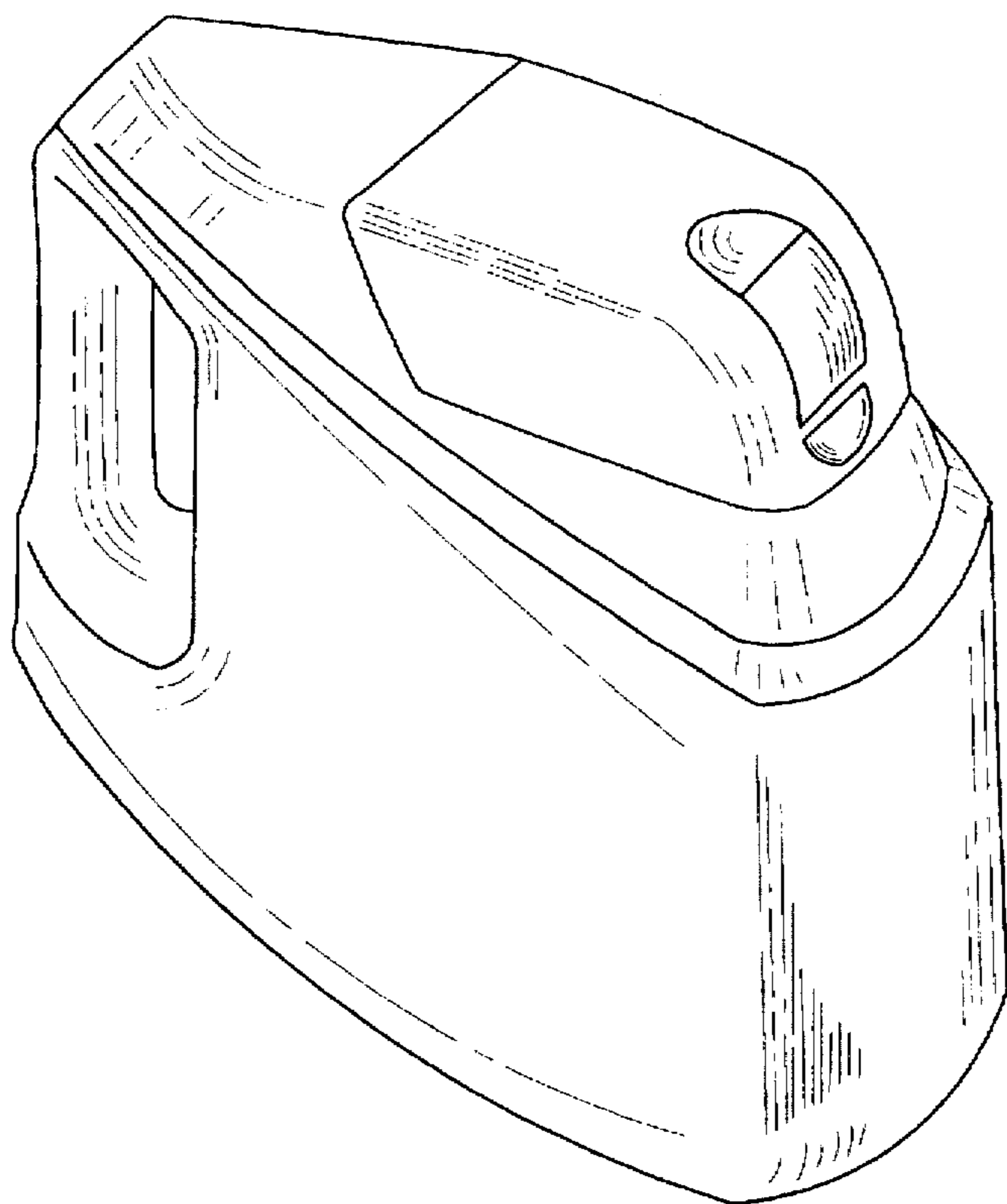


FIG. 1

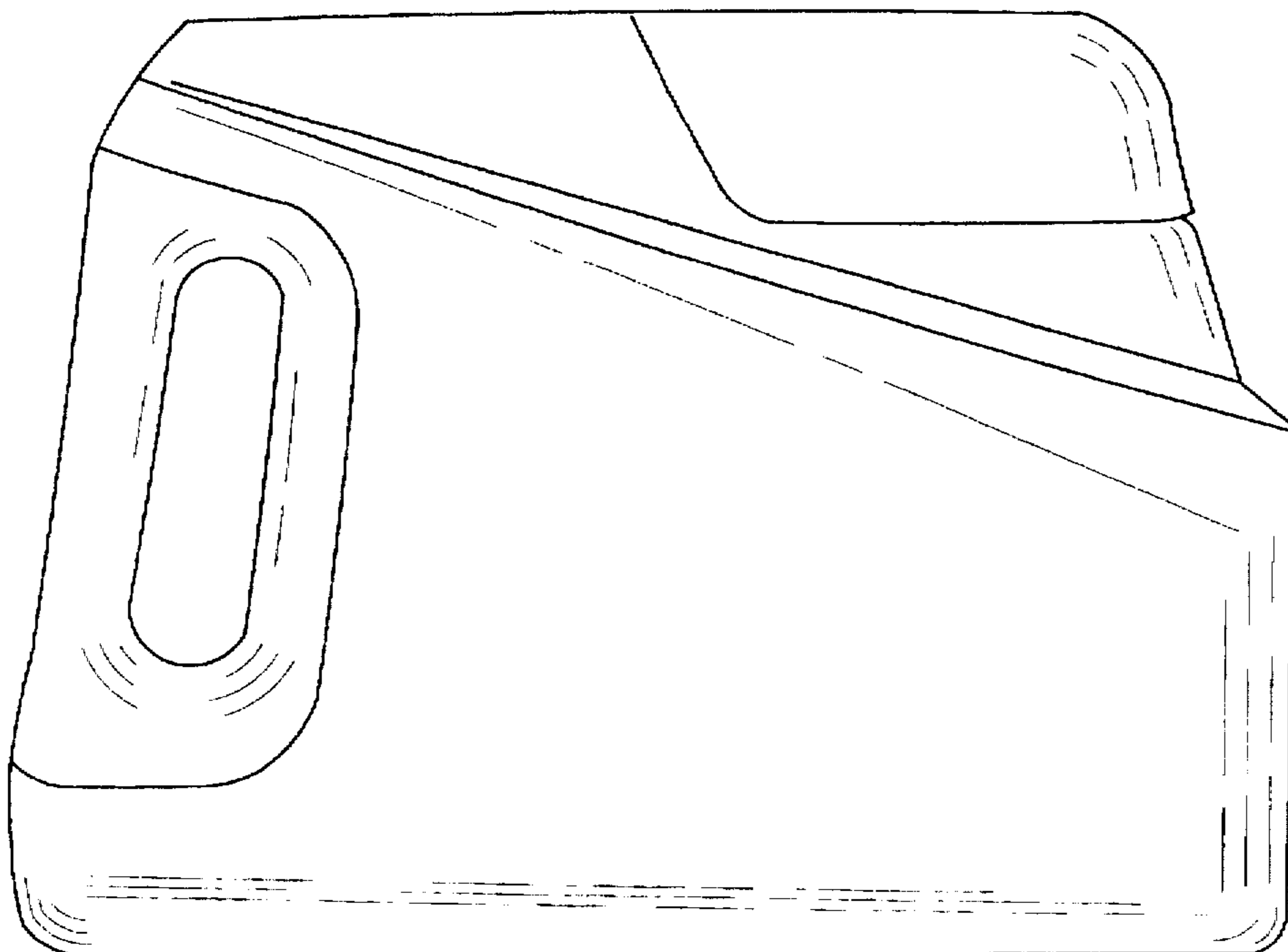


FIG. 2

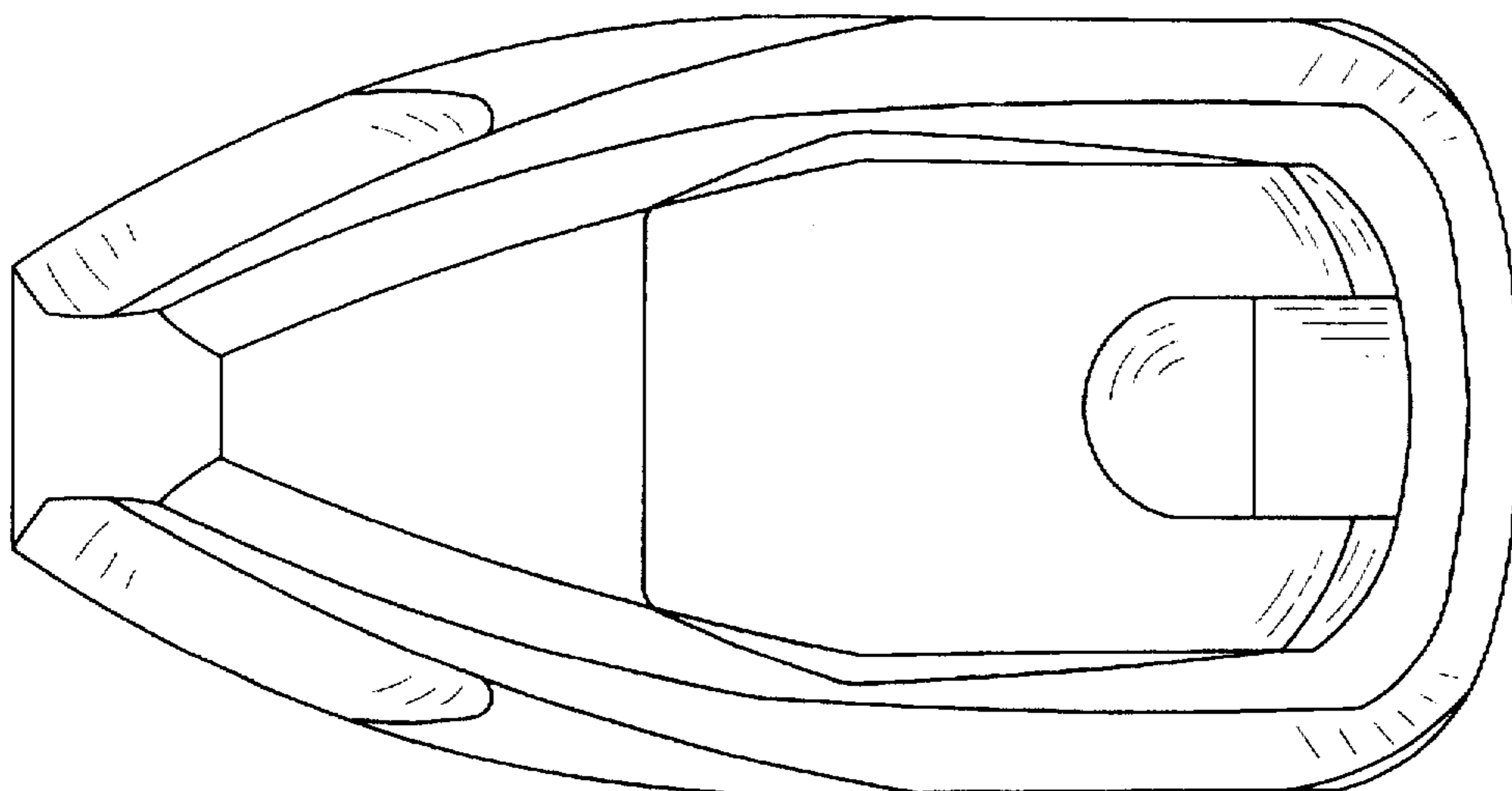


FIG. 3

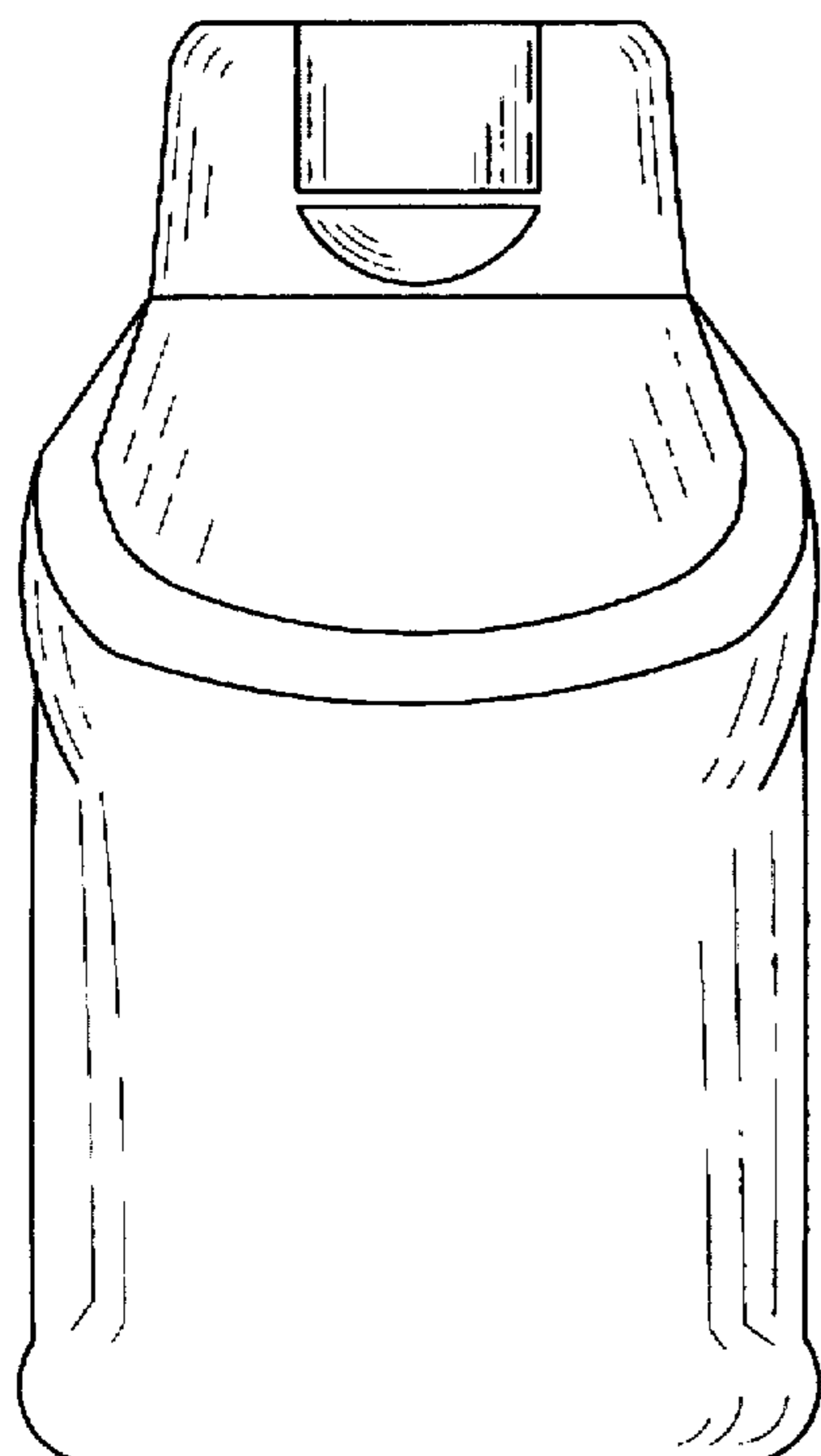


FIG. 4

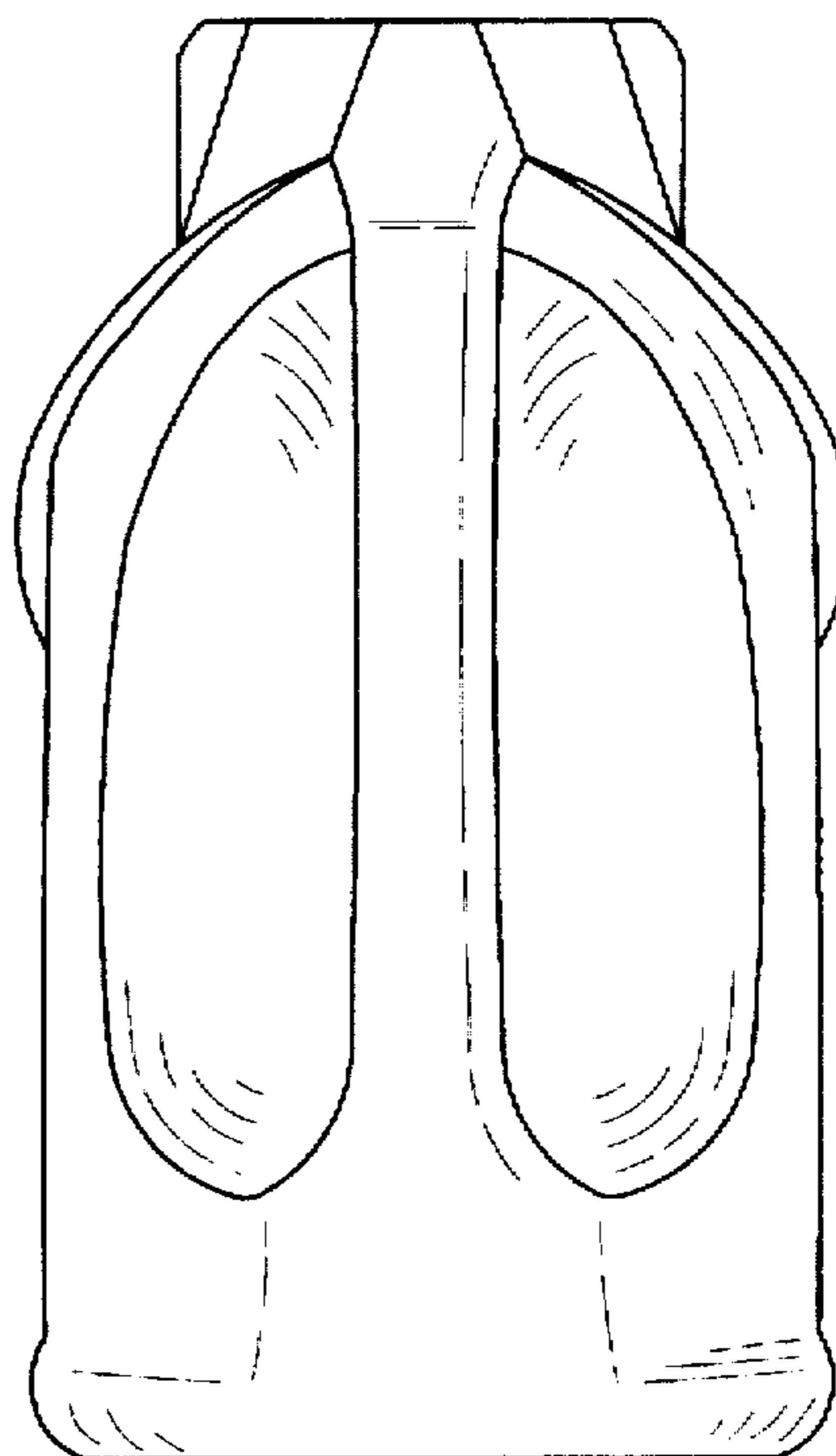


FIG. 5