



US00D396805S

United States Patent [19]
Broyles

[11] **Patent Number: Des. 396,805**
[45] **Date of Patent: **Aug. 11, 1998**

[54] **DISPOSABLE LUNCH BOX**
[75] **Inventor: James H. Broyles, Loveland, Ohio**
[73] **Assignee: Wingate Packaging, Inc., Cincinnati, Ohio**
[**] **Term: 14 Years**
[21] **Appl. No.: 74,365**
[22] **Filed: Jul. 9, 1997**
[51] **LOC (6) Cl. 09-07**
[52] **U.S. Cl. D9/432**
[58] **Field of Search D3/904, 905; D7/709; D9/346, 414, 416, 423, 430-433; 206/559; 229/117.14**

3,587,736 6/1971 Brown 229/117.14 X
3,931,916 1/1976 Blue et al. 229/117.14 X
4,109,849 8/1978 Wood 229/117.14
4,195,765 4/1980 Roccaforte et al. .
4,230,261 10/1980 Austin .
4,308,995 1/1982 Hanes .
5,098,014 3/1992 Perkins .

Primary Examiner—Ted Shooman
Assistant Examiner—Nanda Bondade
Attorney, Agent, or Firm—Wood, Herron & Evans, L.L.P.

[57] **CLAIM**

The ornamental design for disposable lunch box, as shown and described.

DESCRIPTION

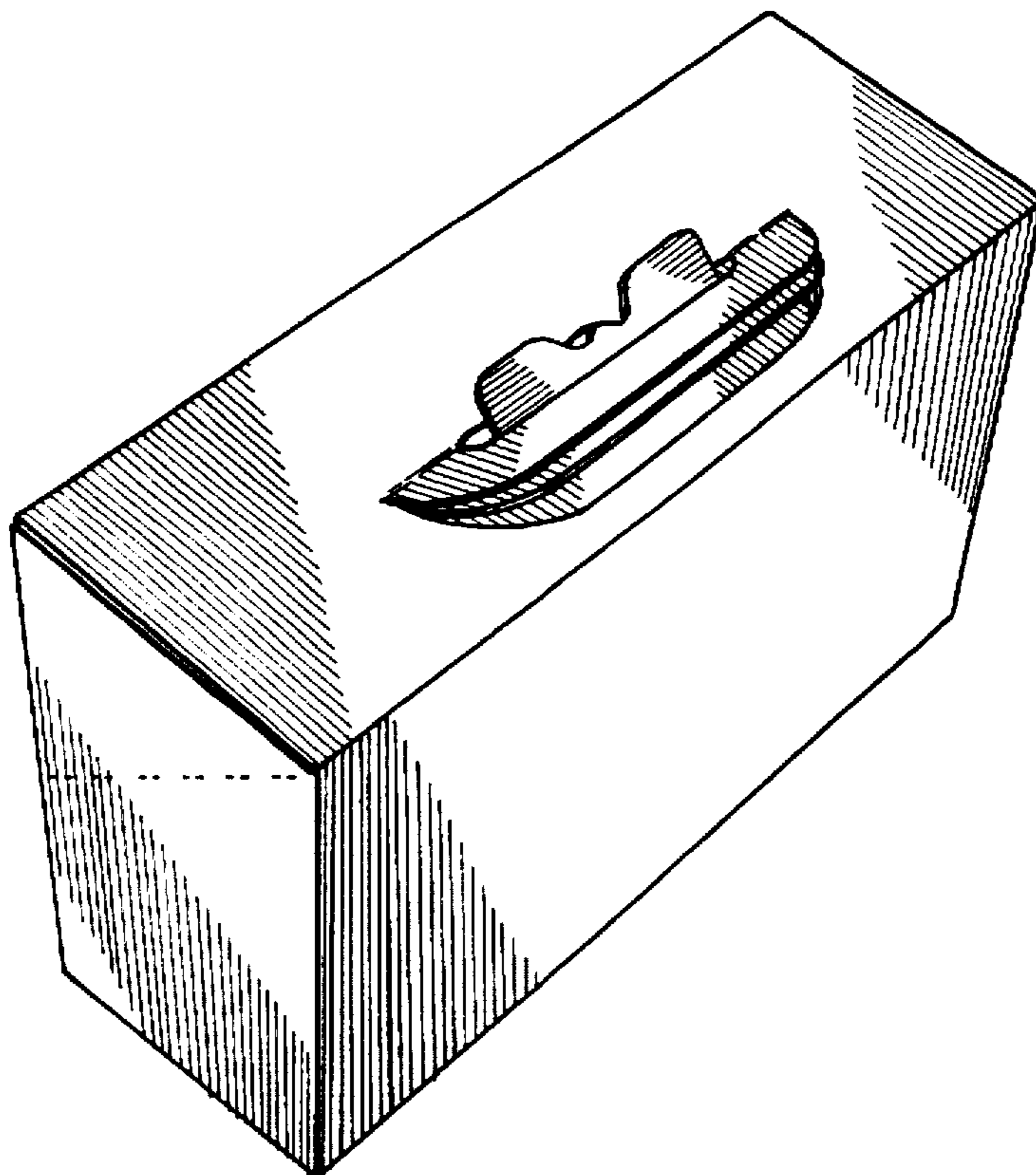
FIG. 1 is a perspective view of a disposable lunch box showing my design;
FIG. 2 is a front elevational view thereof;
FIG. 3 is a right side elevational view thereof;
FIG. 4 is a top plan view thereof;
FIG. 5 is a rear elevational view thereof; and,
FIG. 6 is a bottom view thereof.
The broken lines shown on FIGS. 1 and 3 represent fold lines.

[56] **References Cited**

U.S. PATENT DOCUMENTS

D. 259,175 5/1981 Austin, Jr. D7/709 X
1,527,399 2/1925 Davidson .
2,529,675 11/1950 Brulin 229/117.14 X
2,869,770 1/1959 Bass 229/120.18 X
3,099,383 7/1963 Redpath et al. .
3,384,224 5/1968 Buckholz et al. 229/117.14 X
3,534,899 10/1970 Susuki et al. .

1 Claim, 2 Drawing Sheets



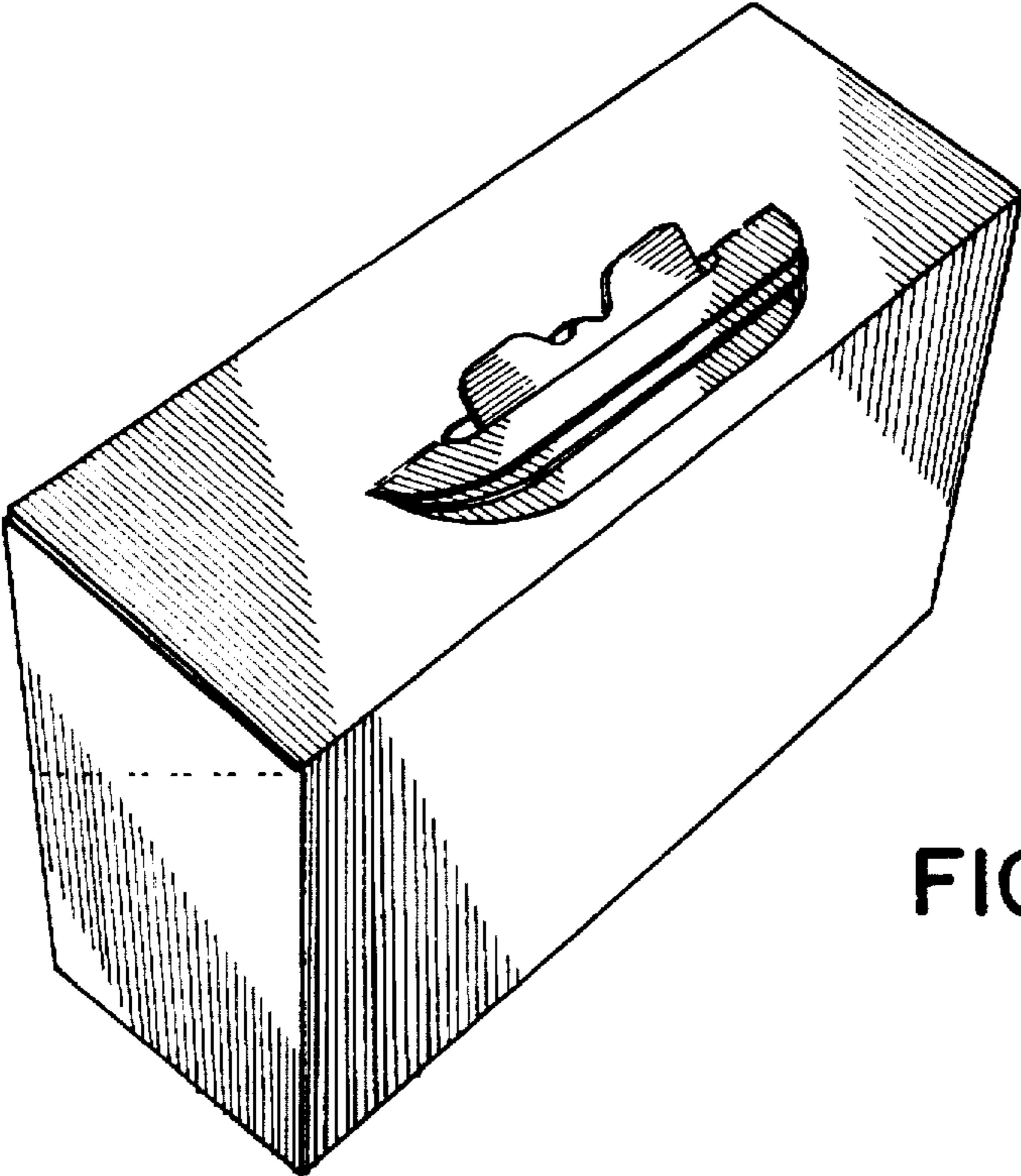


FIG. 1

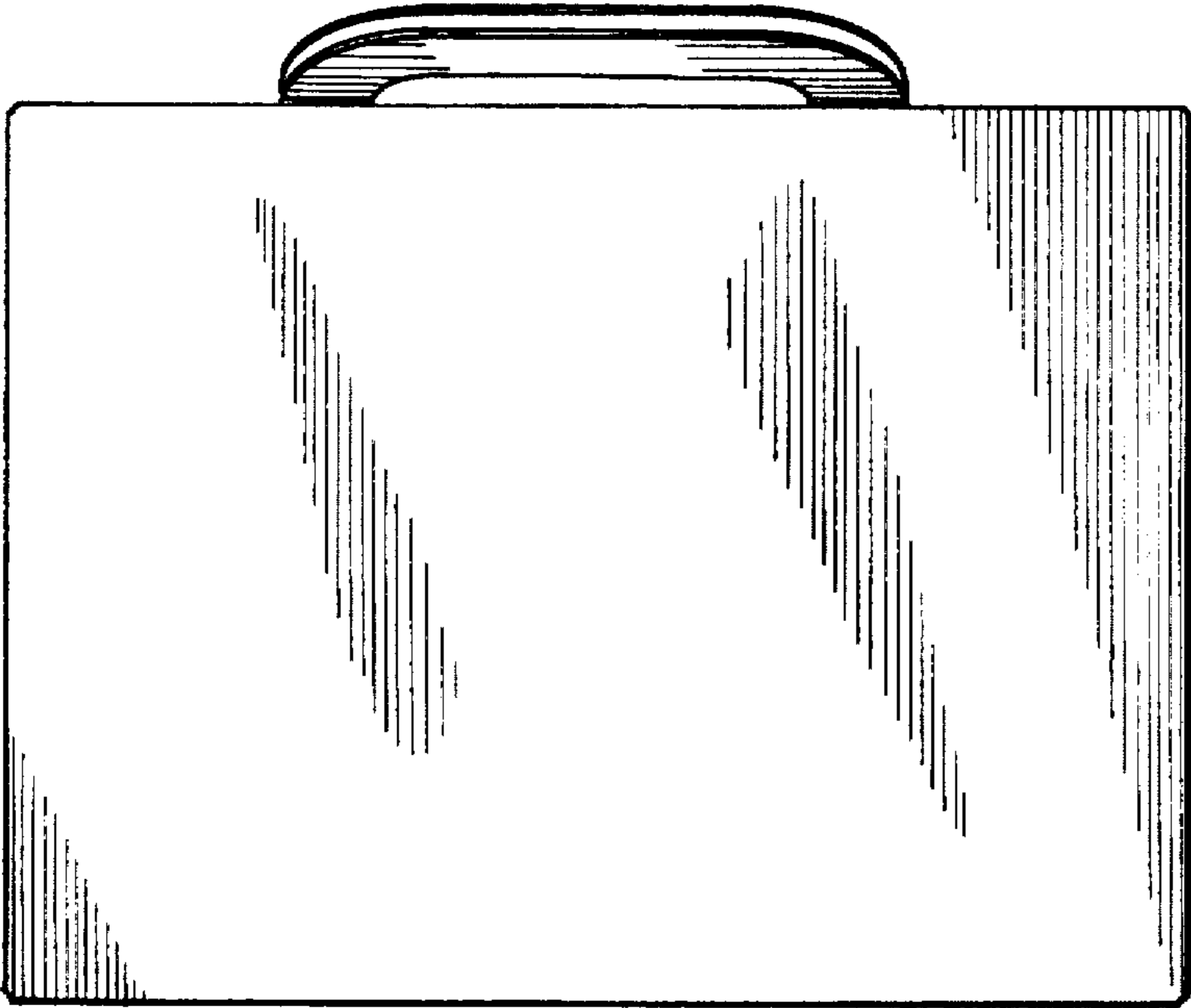


FIG. 2

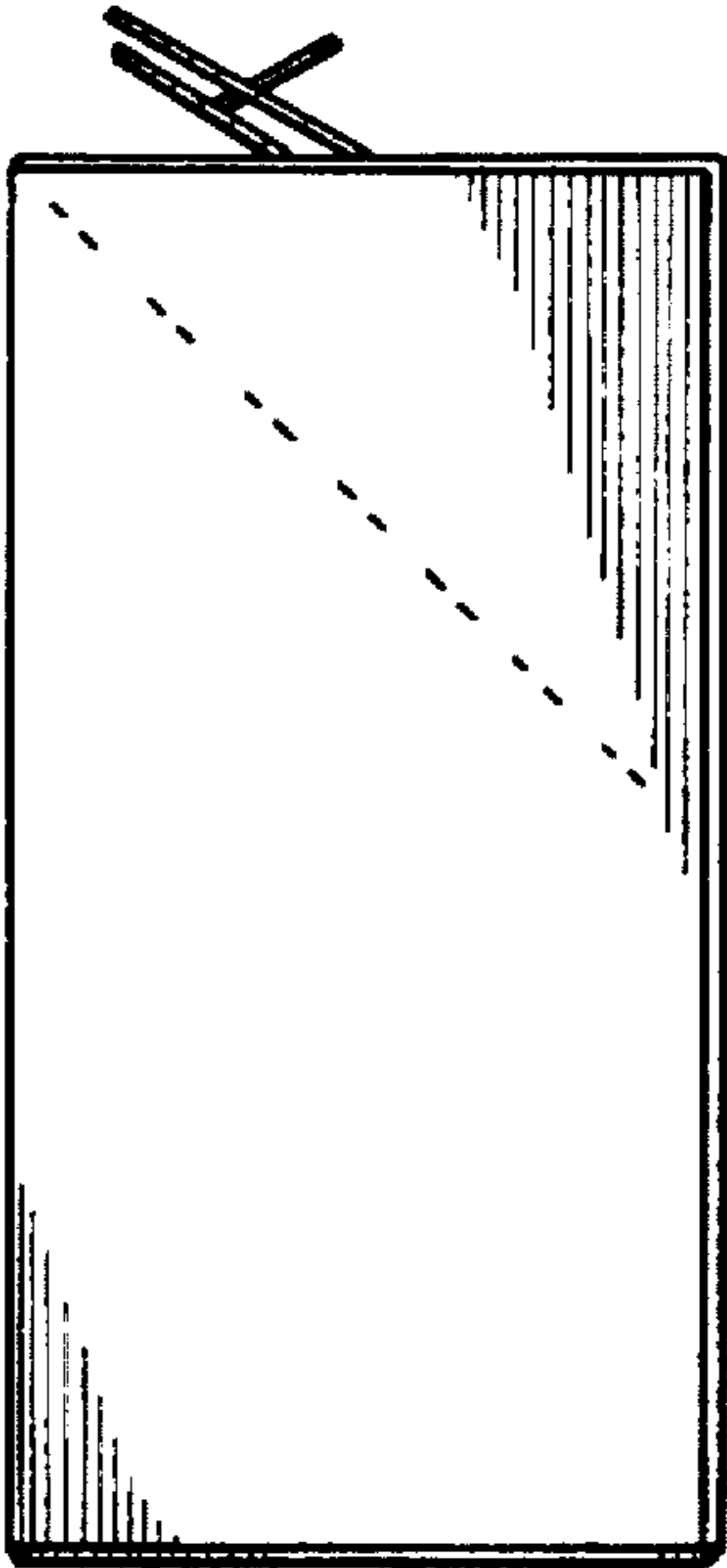


FIG. 3

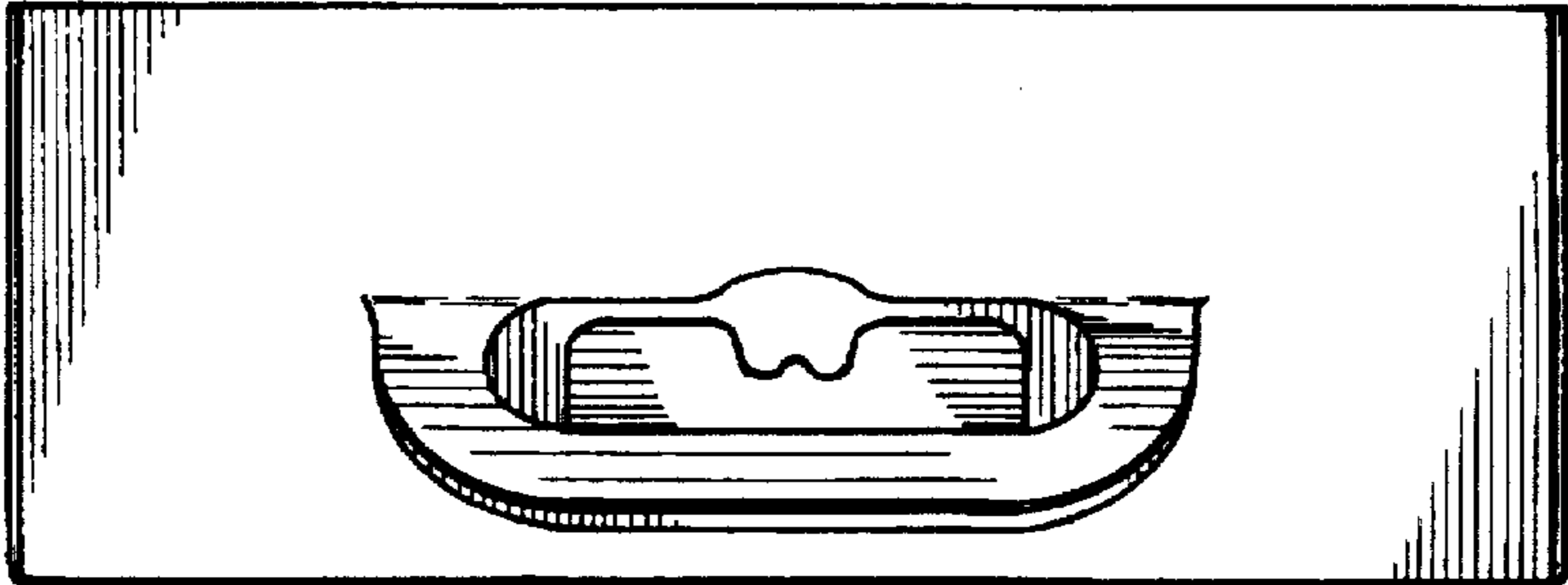


FIG. 4

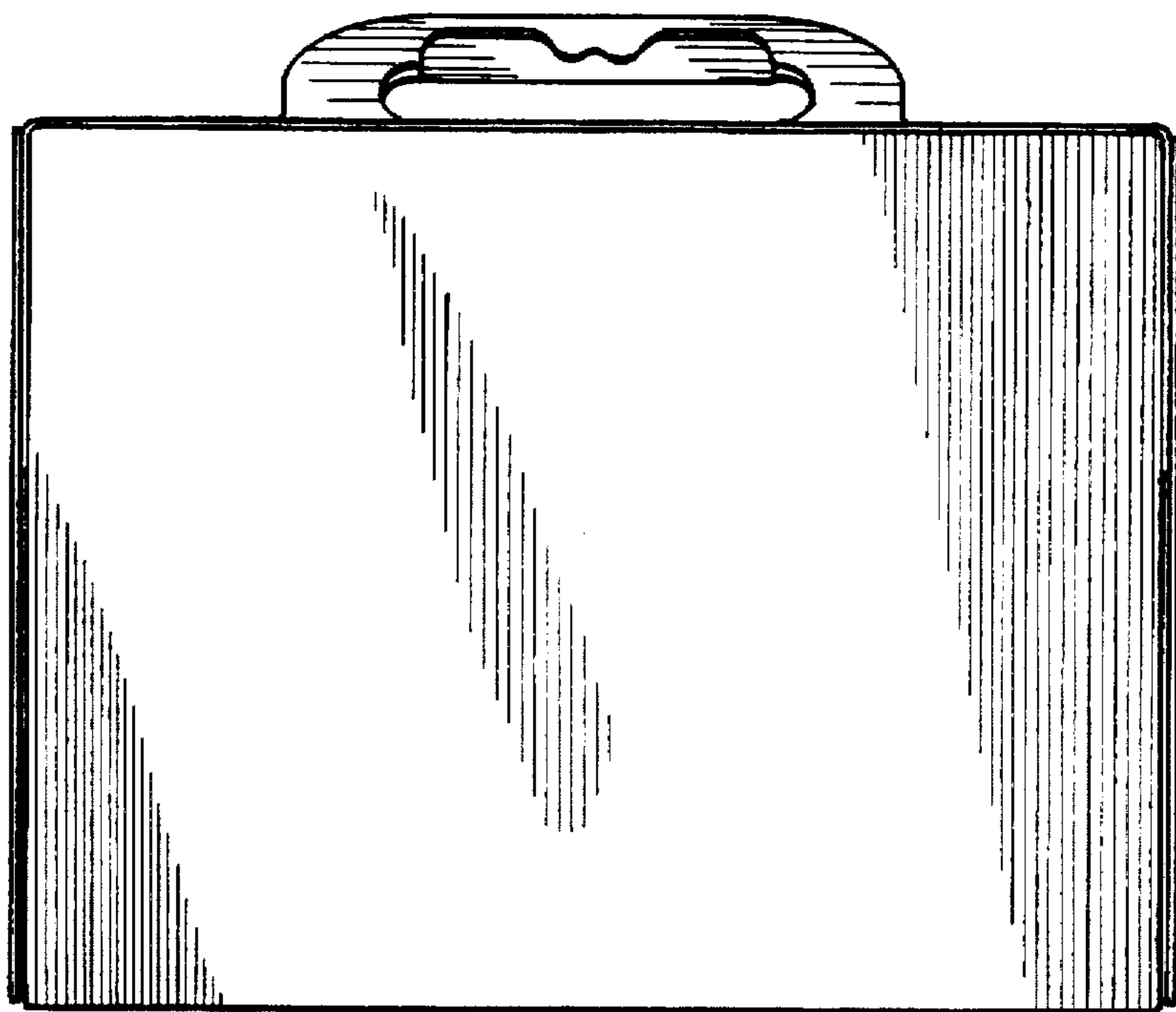


FIG. 5

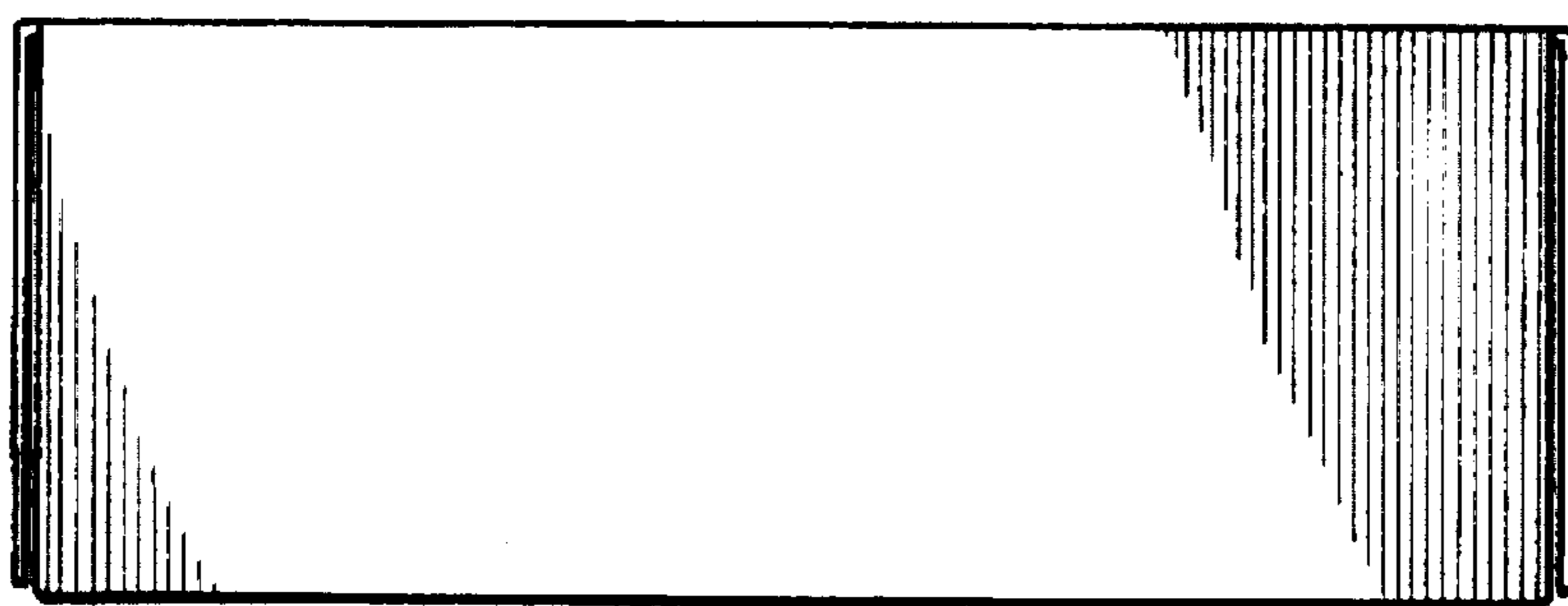


FIG. 6