

US00D396801S

United States Patent [19]
Petty

[11] **Patent Number: Des. 396,801**
[45] **Date of Patent: **Aug. 11, 1998**

[54] **HOSE CLAMP**

[75] **Inventor: Kory Ray Petty, Tulsa, Okla.**

[73] **Assignee: Kool Klamps, Etc. Inc., Tulsa, Okla.**

[**] **Term: 14 Years**

[21] **Appl. No.: 76,166**

[22] **Filed: Sep. 4, 1997**

[51] **LOC (6) Cl. 08-05**

[52] **U.S. Cl. D8/356; D8/396**

[58] **Field of Search D8/356, 380, 382,
D8/394, 396; 248/62, 74.1-74.4, 65; 24/1**

[56] **References Cited**

U.S. PATENT DOCUMENTS

D. 309,094 7/1990 Donis et al. D8/356 X
952,053 3/1910 Tarleton 248/59

1,598,385 8/1926 Ogden 248/62
1,669,934 5/1928 Goldwyn 24/1
3,042,433 7/1962 Koen 403/19
4,784,363 11/1988 Brown et al. 248/610

Primary Examiner—Holly Baynham
Attorney, Agent, or Firm—Head, Johnson & Kachigian

[57] **CLAIM**

The ornamental design for a "hose clamp", as shown.

DESCRIPTION

FIG. 1 is a front elevation view of my design showing my hose clamp, the rear elevational view being a mirror image of the front elevational view;

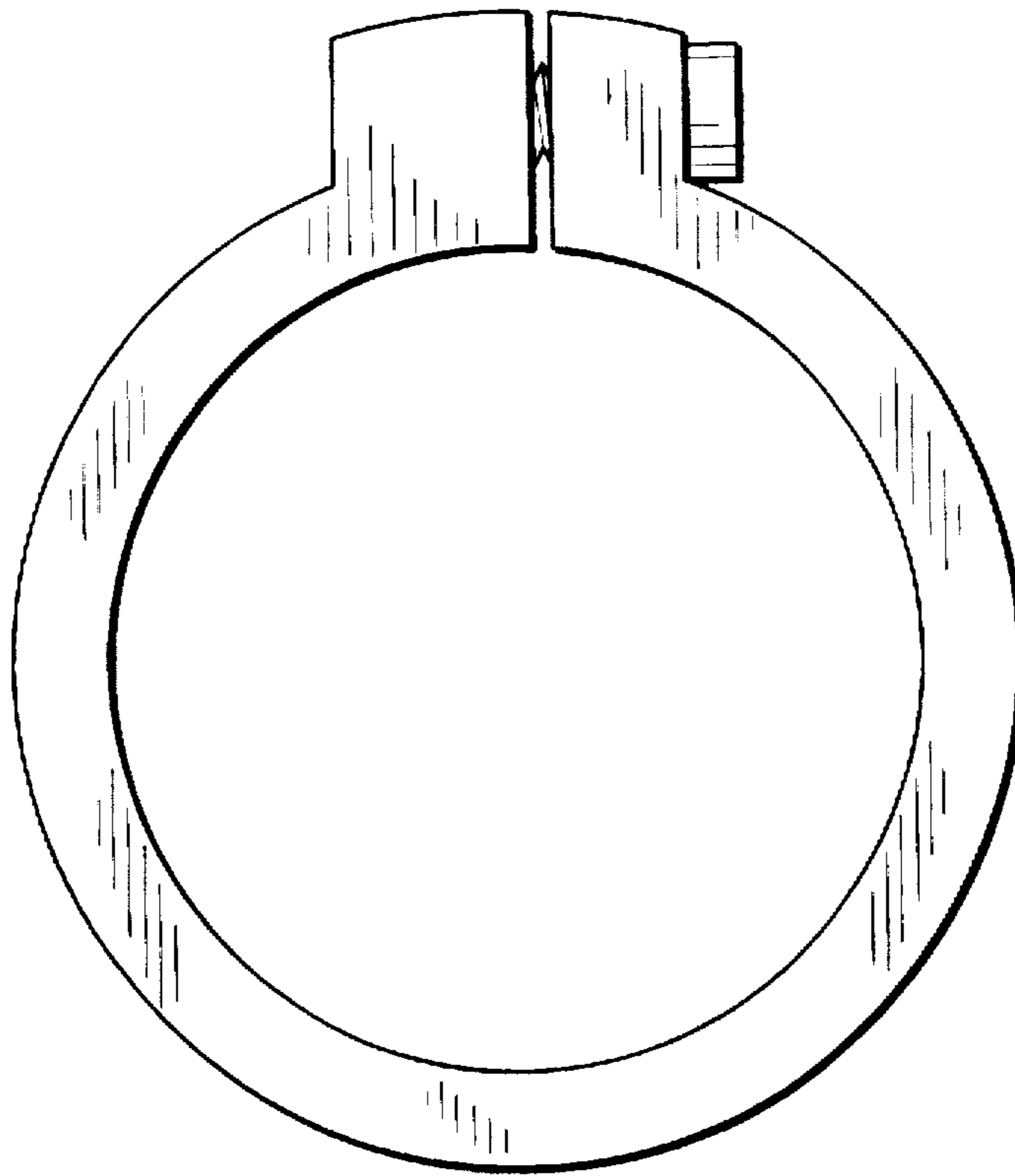
FIG. 2 is a right-side elevational view thereof;

FIG. 3 is a left-side elevational view thereof;

FIG. 4 is a top plan view thereof;

FIG. 5 is a bottom plan view thereof.

1 Claim, 1 Drawing Sheet



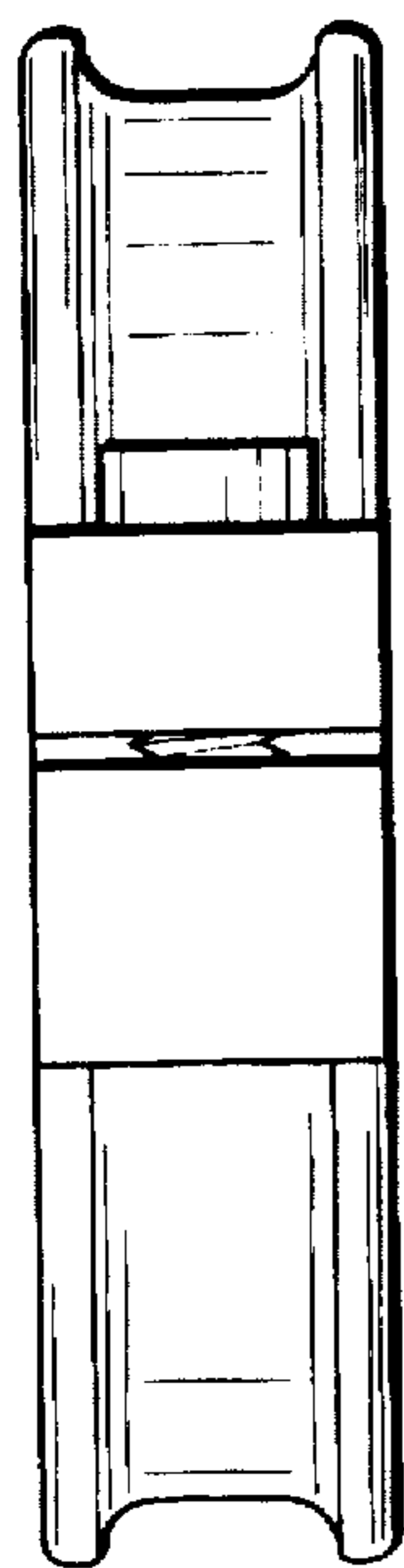


Fig. 4

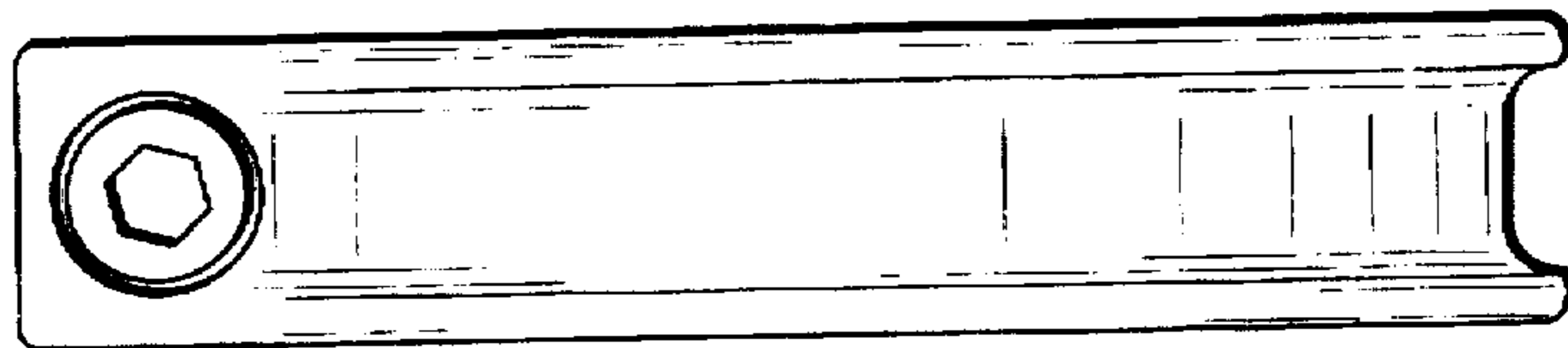


Fig. 2

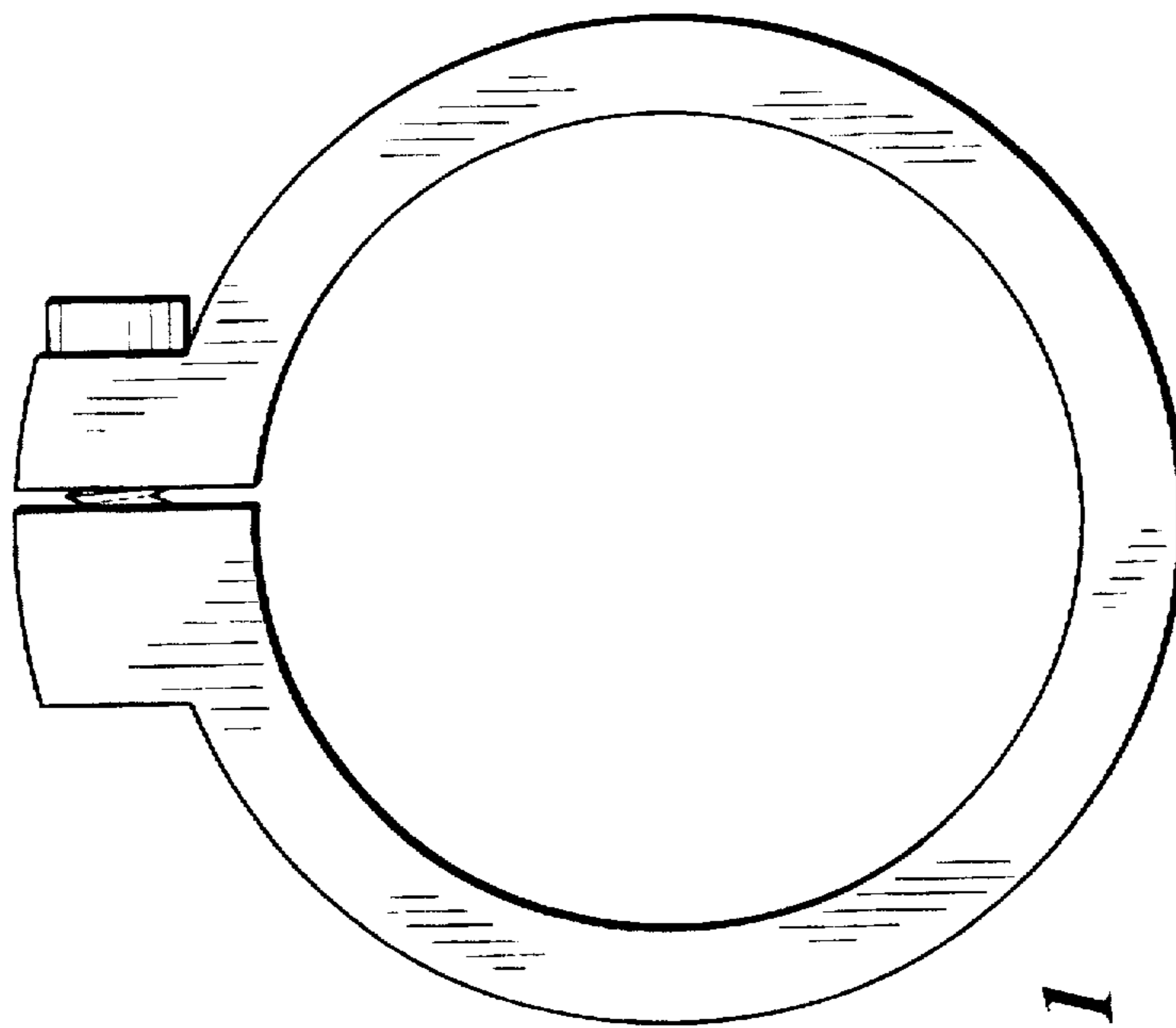


Fig. 1

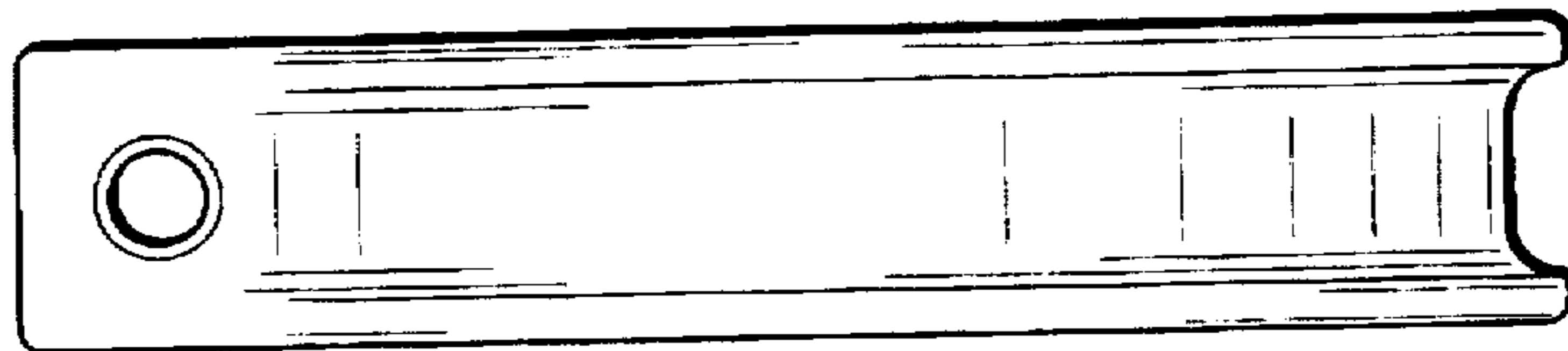


Fig. 3

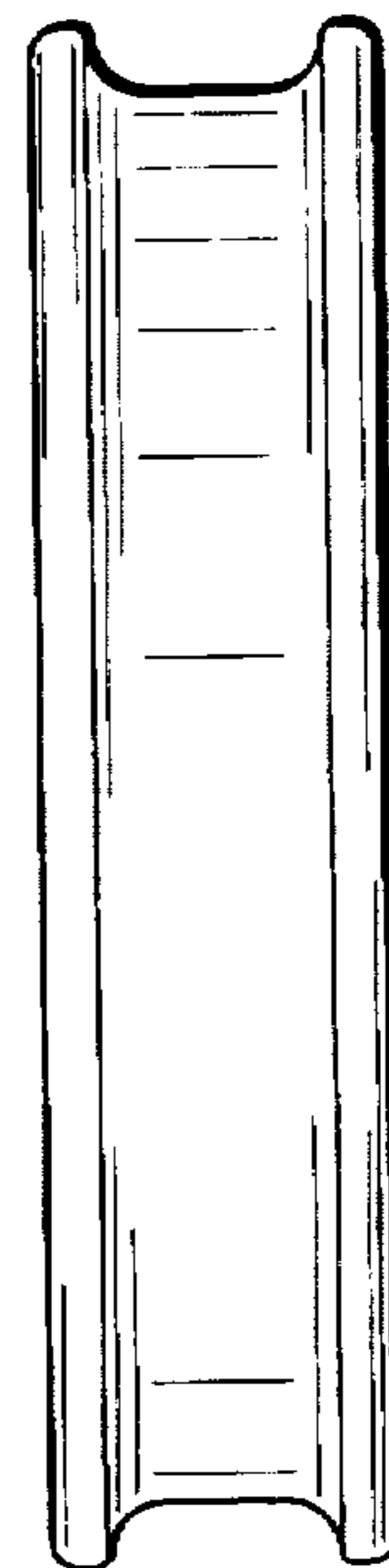


Fig. 5