



US00D396799S

# United States Patent [19]

Jones

[11] Patent Number: Des. 396,799

[45] Date of Patent: \*\*Aug. 11, 1998

lp  
[54] **BRACKET TO ATTACH AN EXTENDER HANDLE TO A CHAIN SAW**

[76] Inventor: **Thomas J. Jones**, 3007 Crone Rd., Borden, Ind. 47106

[\*\*] Term: **14 Years**

[21] Appl. No.: **70,317**

[22] Filed: **May 6, 1997**

[51] LOC (6) Cl. .... **08-05**

[52] U.S. Cl. .... **D8/349**

[58] Field of Search ..... D8/382, 70, 395; 248/229, 205.1

### [56] References Cited

#### U.S. PATENT DOCUMENTS

D. 249,538	9/1978	Weast	.....	D22/110
D. 322,077	12/1991	Downing	.....	D15/138
D. 337,172	7/1993	Maglica et al.	.....	D26/138
D. 344,880	3/1994	Salas, Jr.	.....	D8/71
D. 359,218	6/1995	Jones	.....	D8/70

*Primary Examiner*—Holly Baynham  
*Attorney, Agent, or Firm*—Middleton & Reutlinger; James C. Eaves, Jr.

### [57] CLAIM

The ornamental design for a bracket to attach an extender handle to a chain saw, as shown and described.

### DESCRIPTION

FIG. 1 is a left rear top perspective view of a preferred bracket to attach an extender handle to a chain saw, the broken line showing of the chain saw and extender handle is for illustrative purposes only and forms no part of the claimed design;

FIG. 2 is a left rear top perspective view of the bracket of FIG. 1;

FIG. 3 is a left side view of the bracket of FIG. 1;

FIG. 4 is a top view of the bracket of FIG. 1;

FIG. 5 is a bottom view of the bracket of FIG. 1;

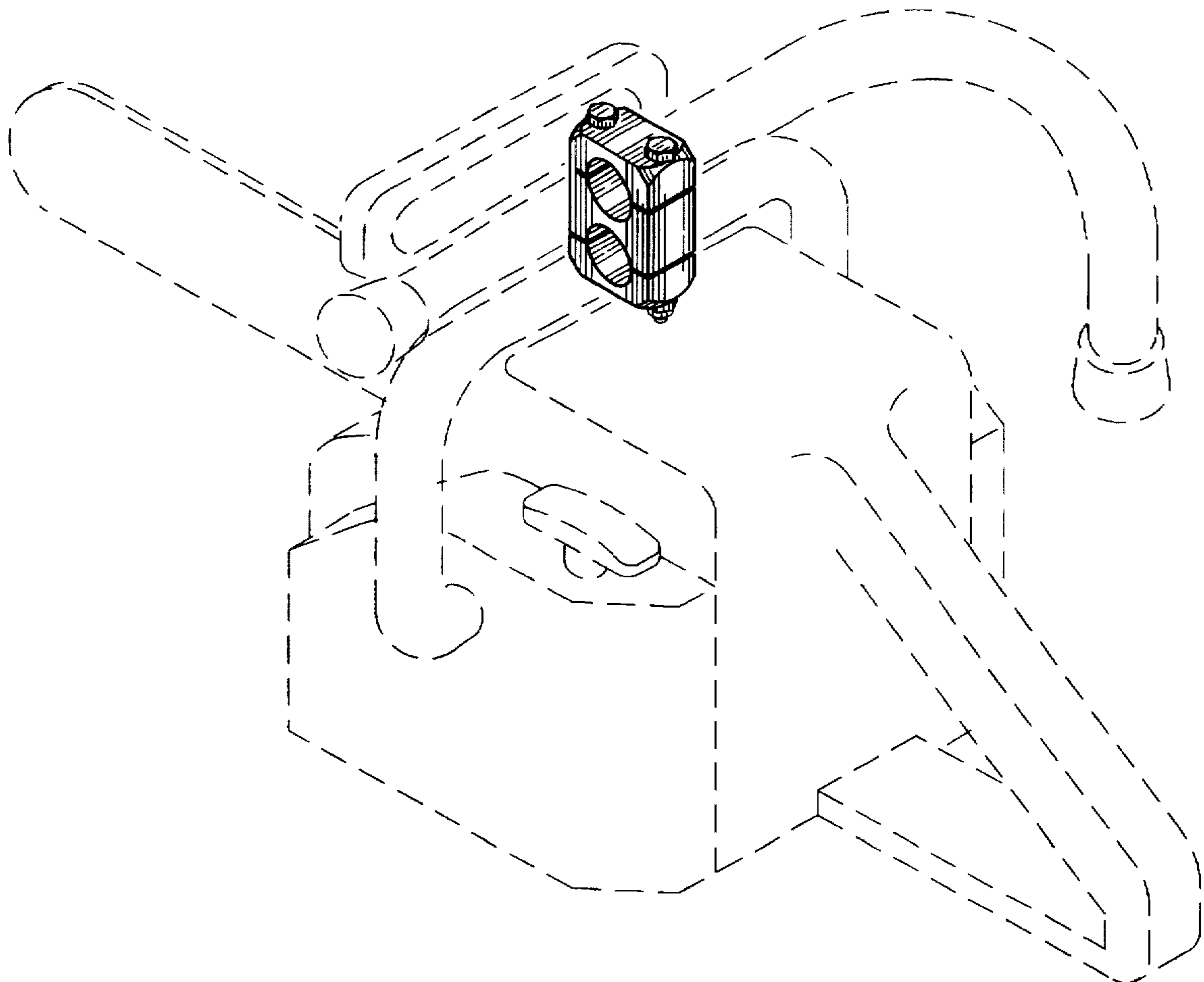
FIG. 6 is a front view of the bracket of FIG. 1;

FIG. 7 is a rear view of the bracket of FIG. 1; and,

FIG. 8 is a left, rear top perspective view of a second embodiment of the design shown in FIG. 1.

The undisclosed front, rear and bottom views of the second embodiment are identical in appearance the same views shown in the first embodiment.

**1 Claim, 2 Drawing Sheets**



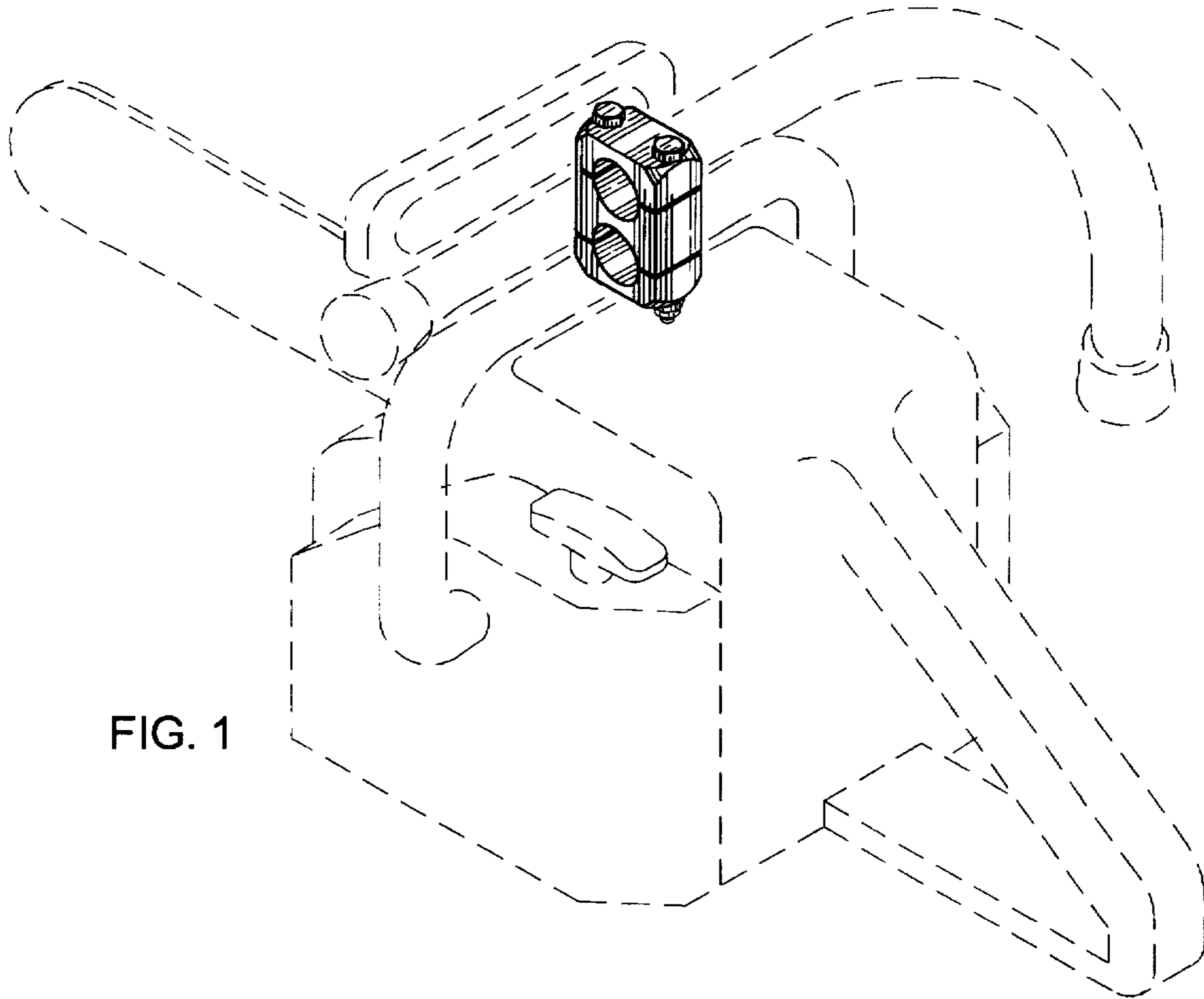


FIG. 1

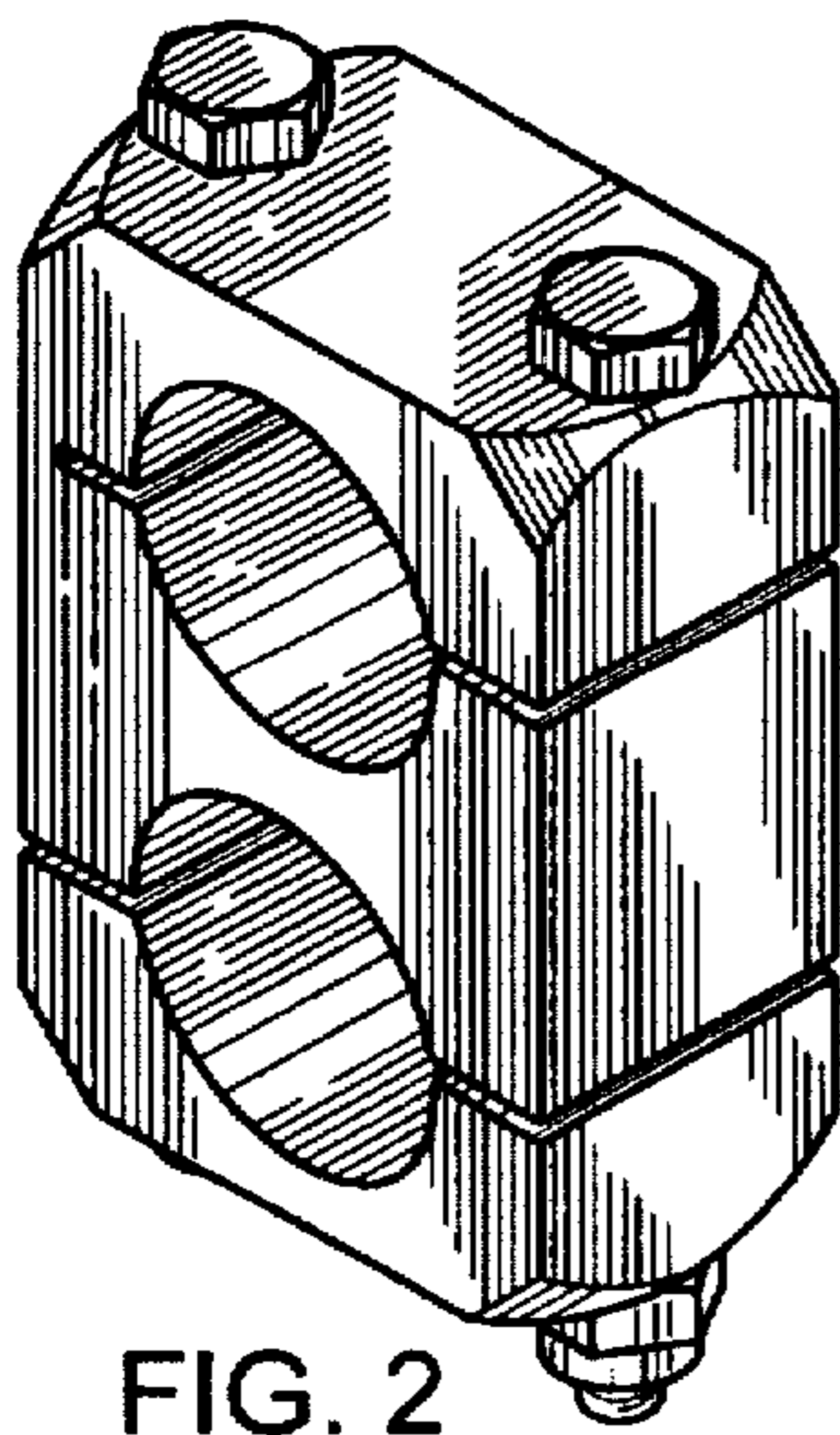


FIG. 2



FIG. 4



FIG. 6

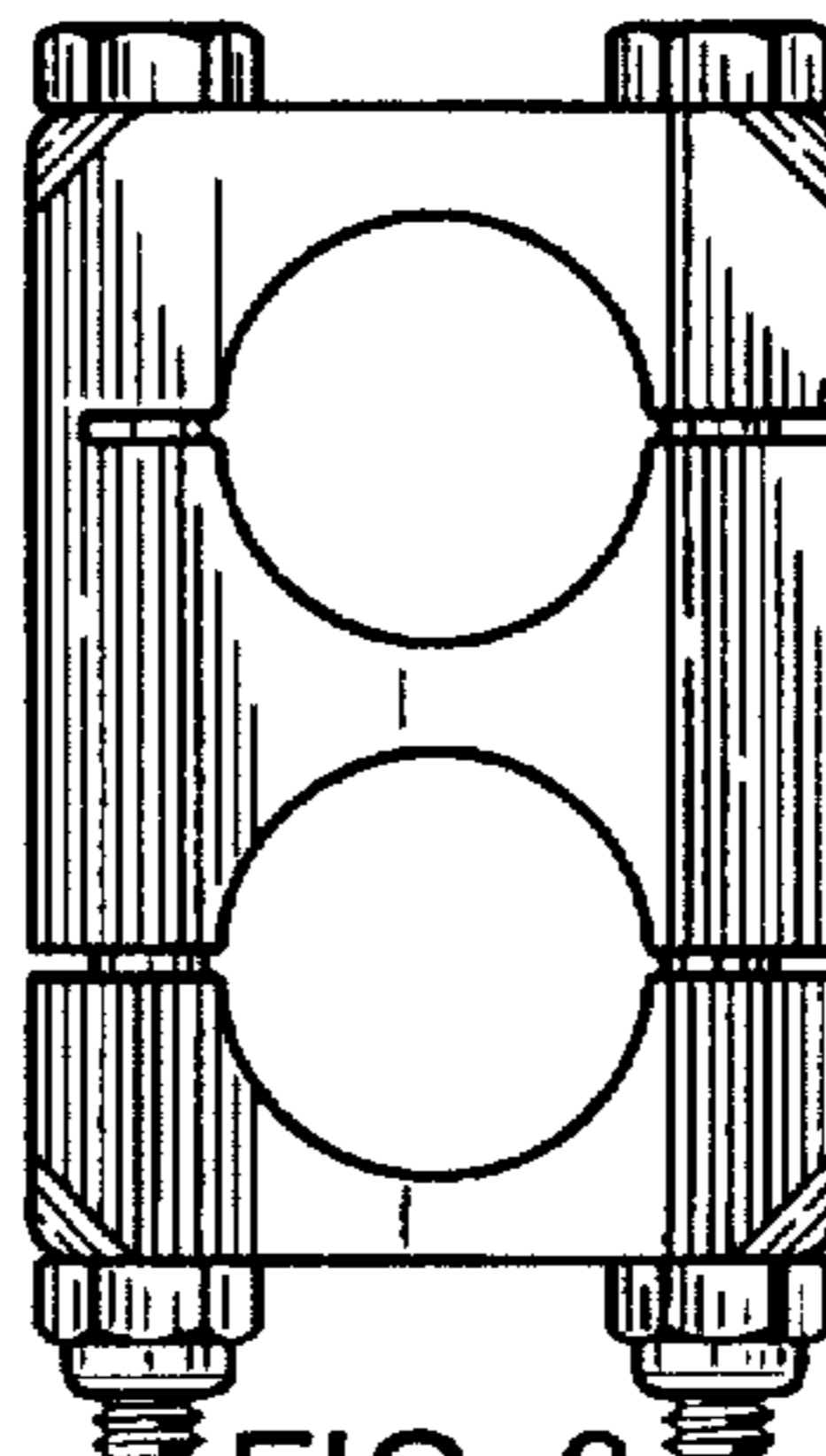


FIG. 3



FIG. 7

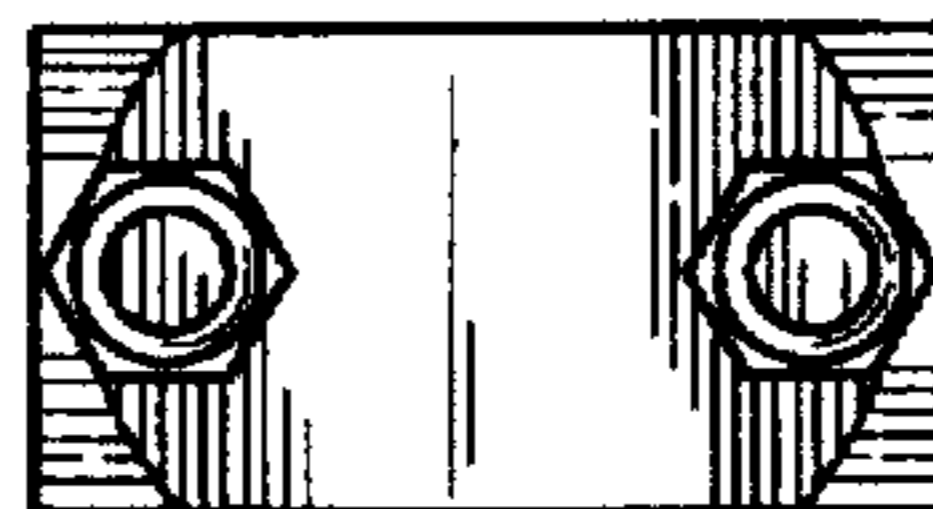


FIG. 5

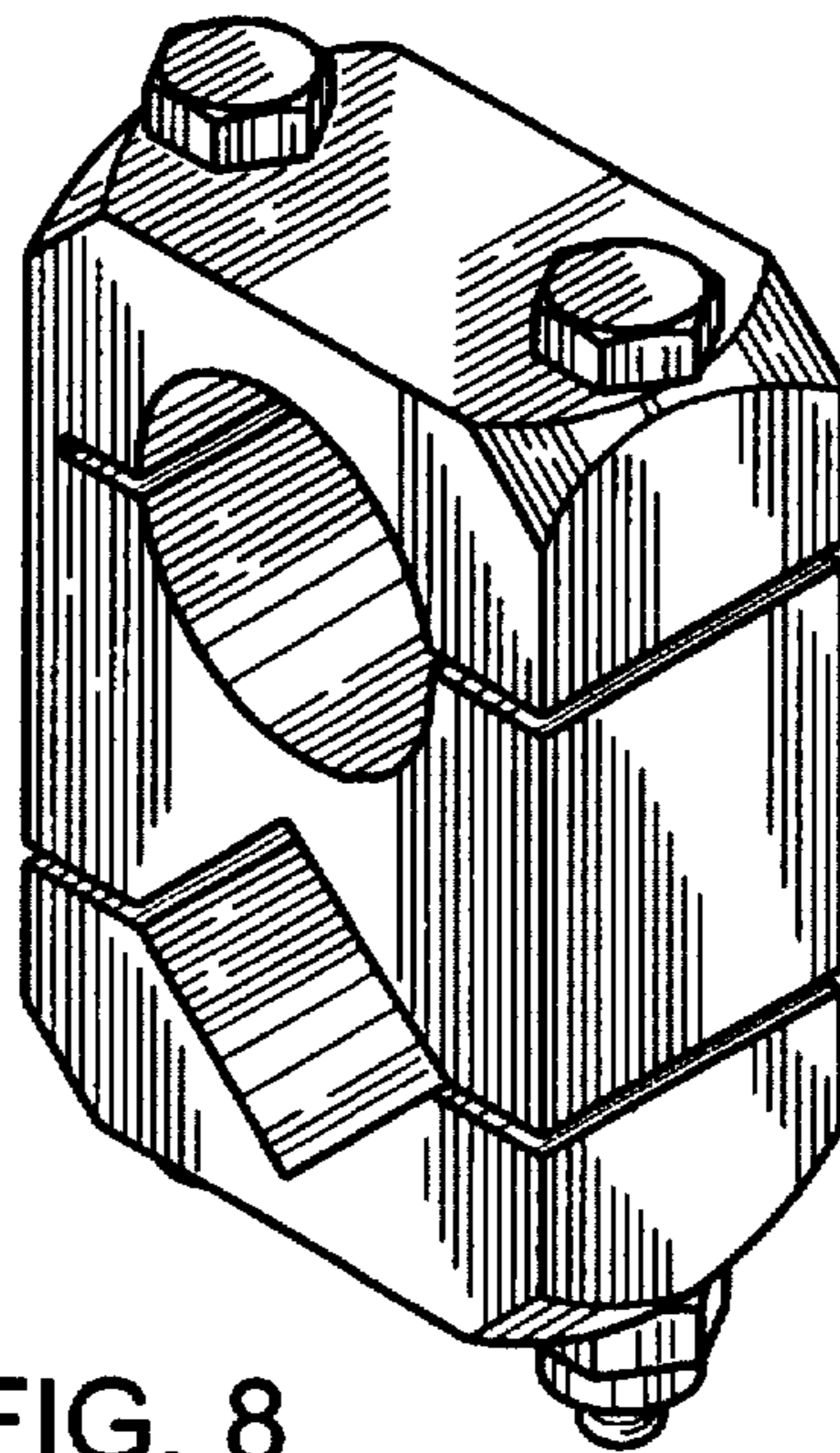


FIG. 8