



US00D396798S

United States Patent [19]

Adelmeyer et al.

[11] Patent Number: **Des. 396,798**

[45] Date of Patent: ****Aug. 11, 1998**

[54] **DOOR LOCK CYLINDER FACE**

[75] Inventors: **Gerard G. Adelmeyer**, Anaheim;
Joseph J. Fata, Moreno Valley;
Charles E. Babb, Long Beach, all of Calif.

[73] Assignee: **Emhart Inc.**, Newark, Del.

[**] Term: **14 Years**

[21] Appl. No.: **73,606**

[22] Filed: **Jul. 11, 1997**

Related U.S. Application Data

[63] Continuation of Ser. No. 693,830, Jul. 31, 1996.

[51] LOC (6) Cl. **08-07**

[52] U.S. Cl. **D8/343**

[58] Field of Search D8/330, 331, 343;
70/431, 452-455, 449, 450, 448

[56] References Cited

U.S. PATENT DOCUMENTS

D. 334,880 4/1993 Davey D8/343

D. 343,566	1/1994	Doxey	D8/343
D. 369,089	4/1996	Zenner	D8/343
D. 372,417	8/1996	Jimenez	D8/343
D. 378,730	4/1997	Aston	D8/343
D. 390,446	2/1998	Gartner	D8/343
2,658,151	11/1953	Heinz	70/454

Primary Examiner—Brian N. Vinson
Attorney, Agent, or Firm—Spencer T. Smith

[57] CLAIM

The ornamental design for a door lock cylinder face, as shown and described.

DESCRIPTION

FIG. 1 is a top, front, and right side perspective view of a door lock cylinder face showing our new design;
FIG. 2 is a top plan view thereof;
FIG. 3 is a left side elevational view thereof;
FIG. 4 is a front elevational view thereof;
FIG. 5 is a right side elevational view thereof; and,
FIG. 6 is a bottom plan view thereof.
The broken-line disclosure in the view is for illustrative purposes only and forms no part of the claimed design.

1 Claim, 2 Drawing Sheets

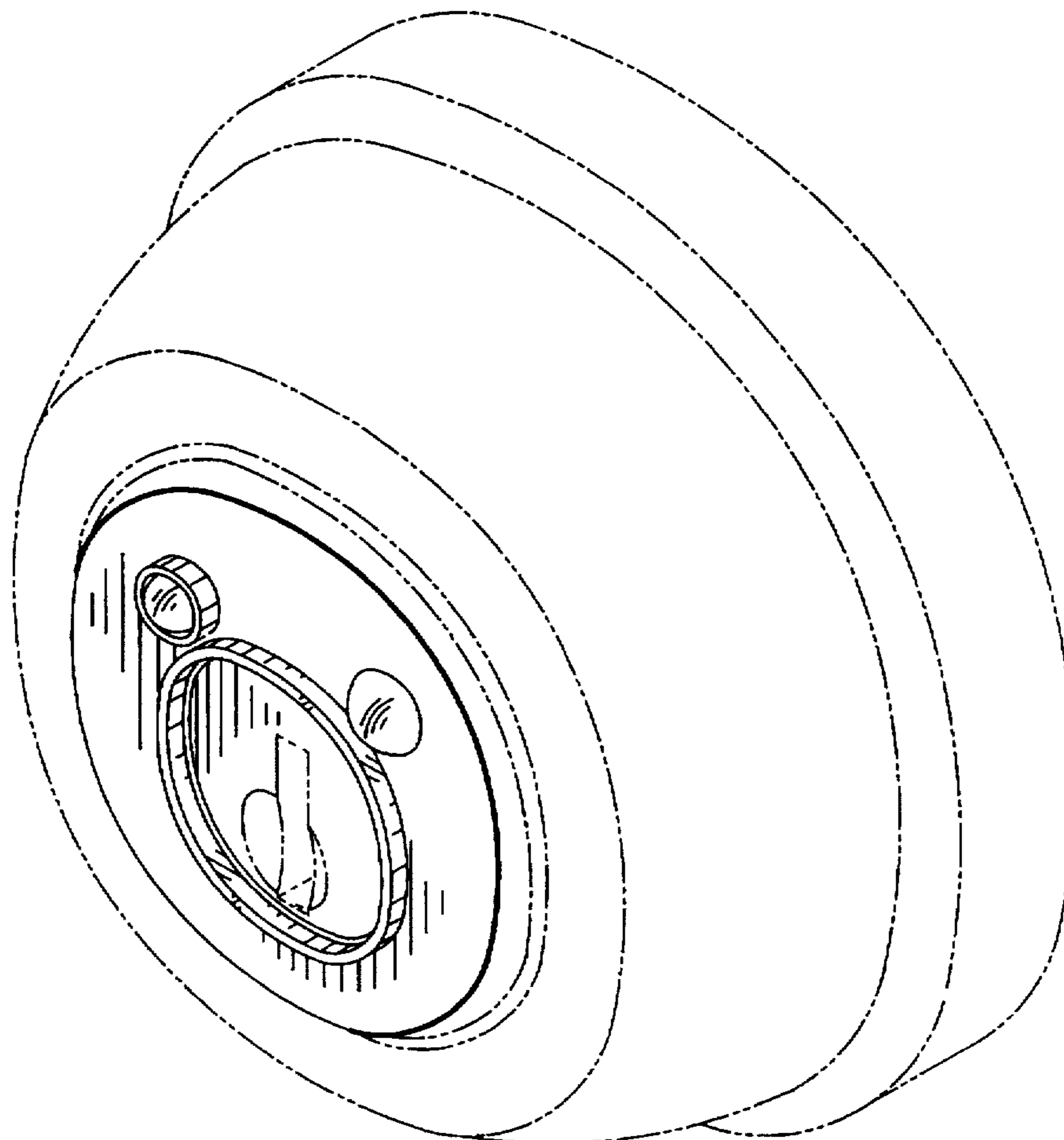


FIG. 1

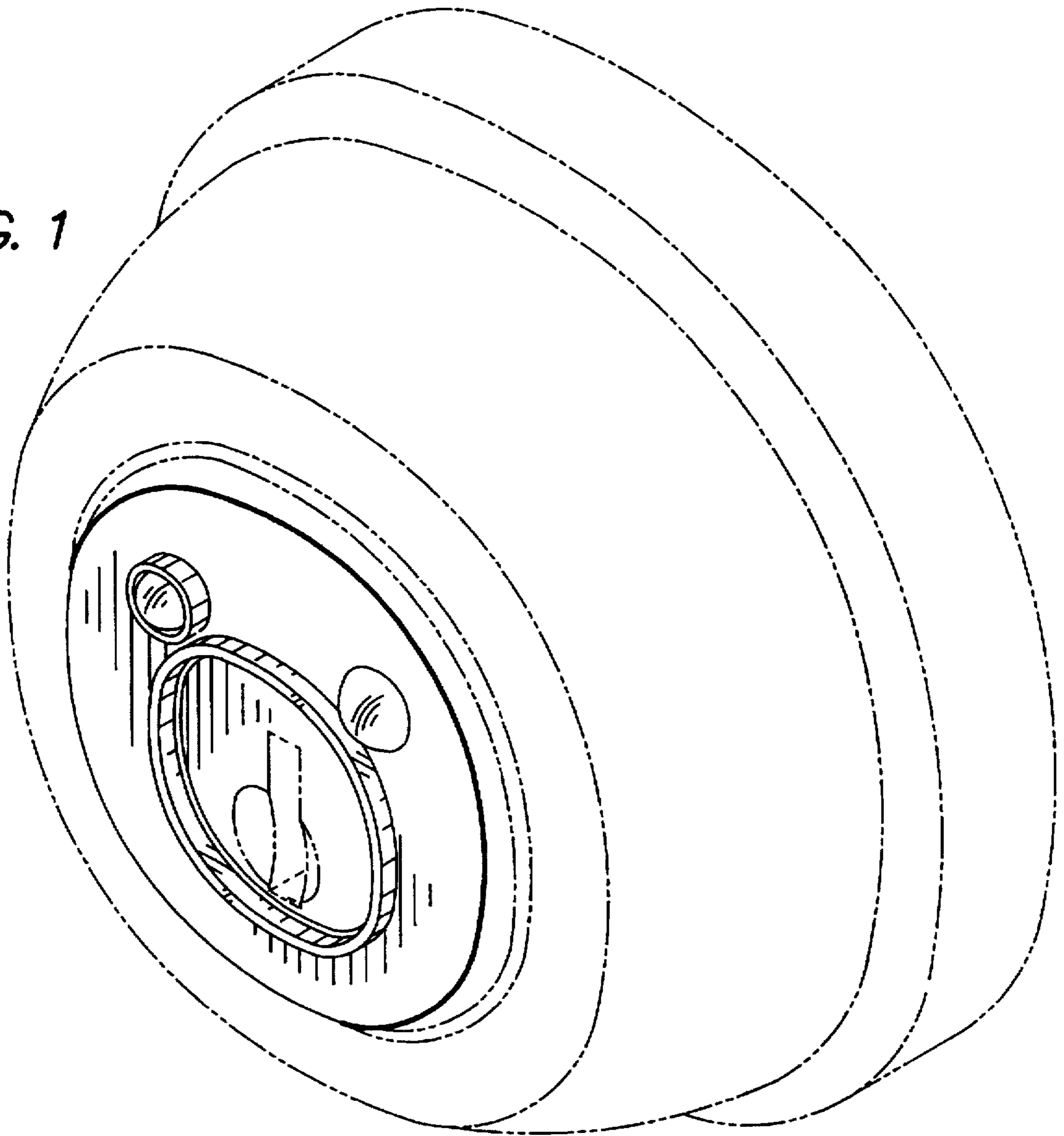


FIG. 2

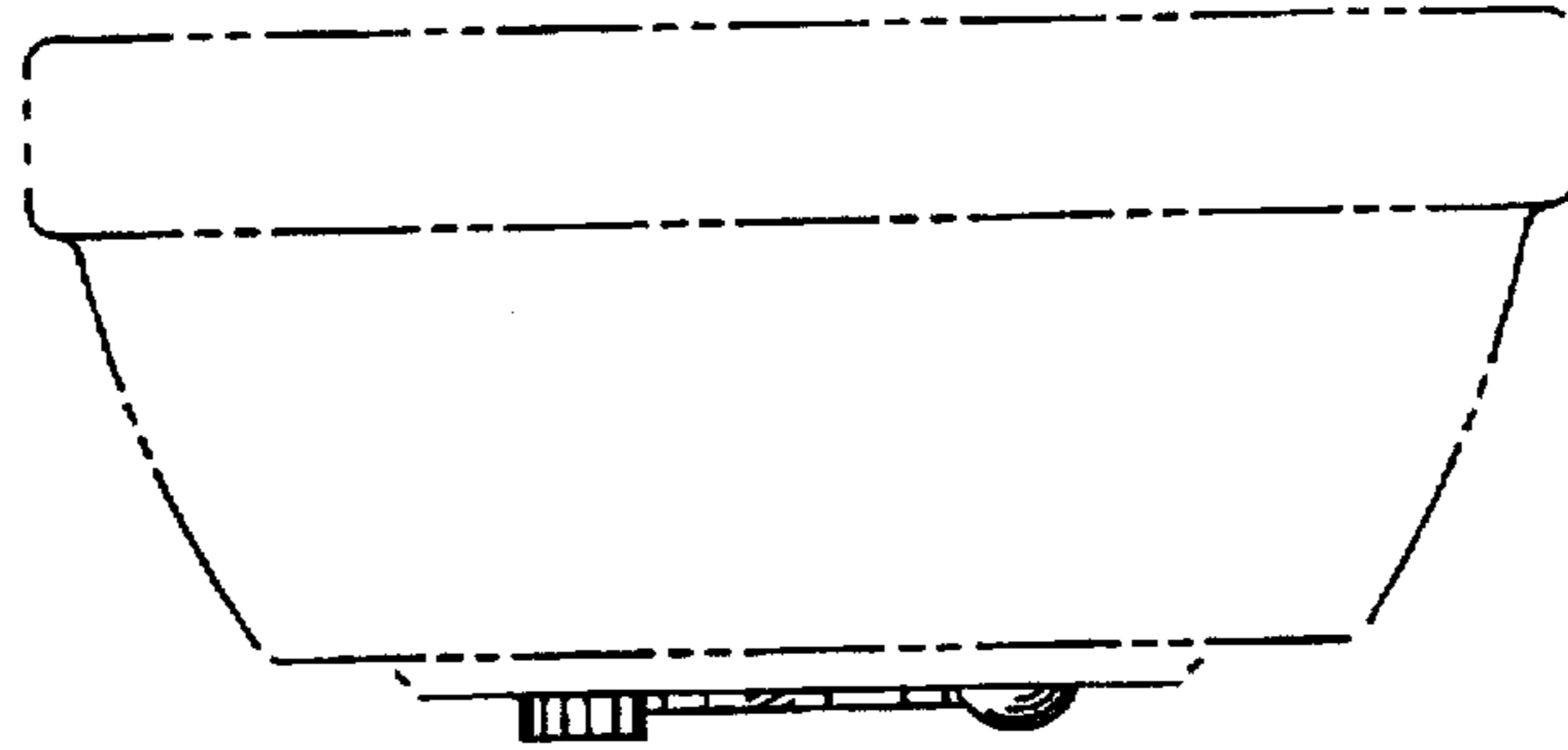


FIG. 3

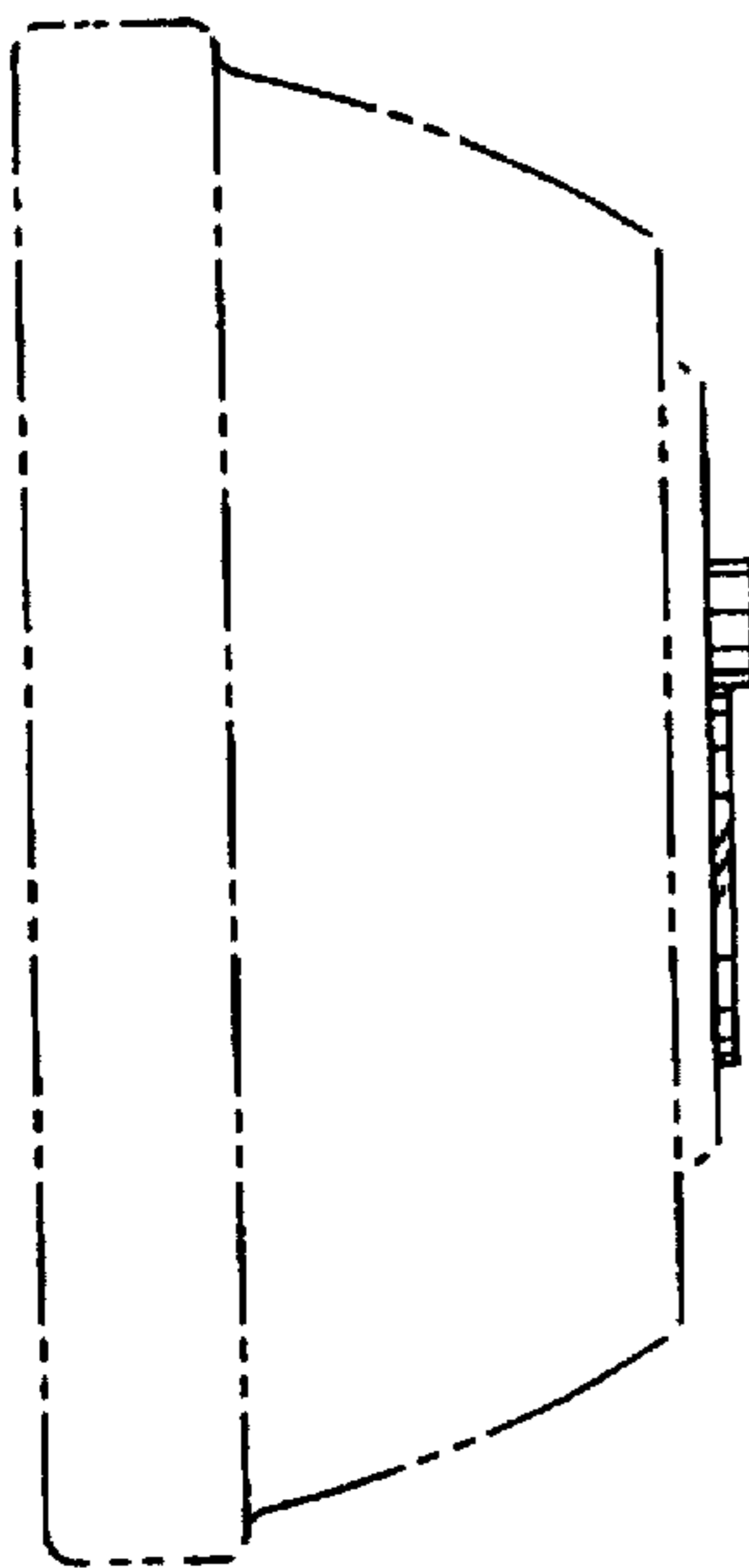


FIG. 4

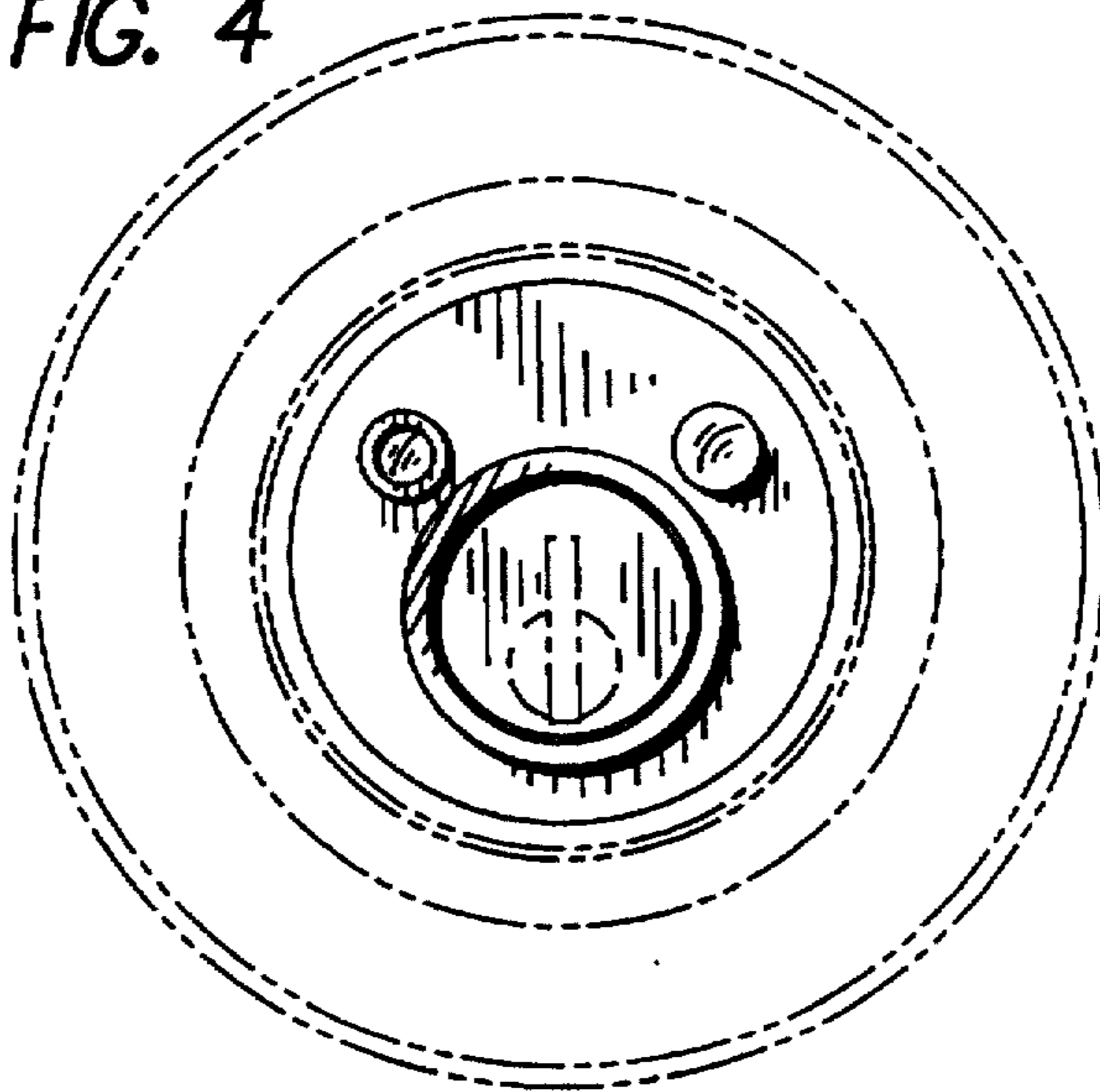


FIG. 5

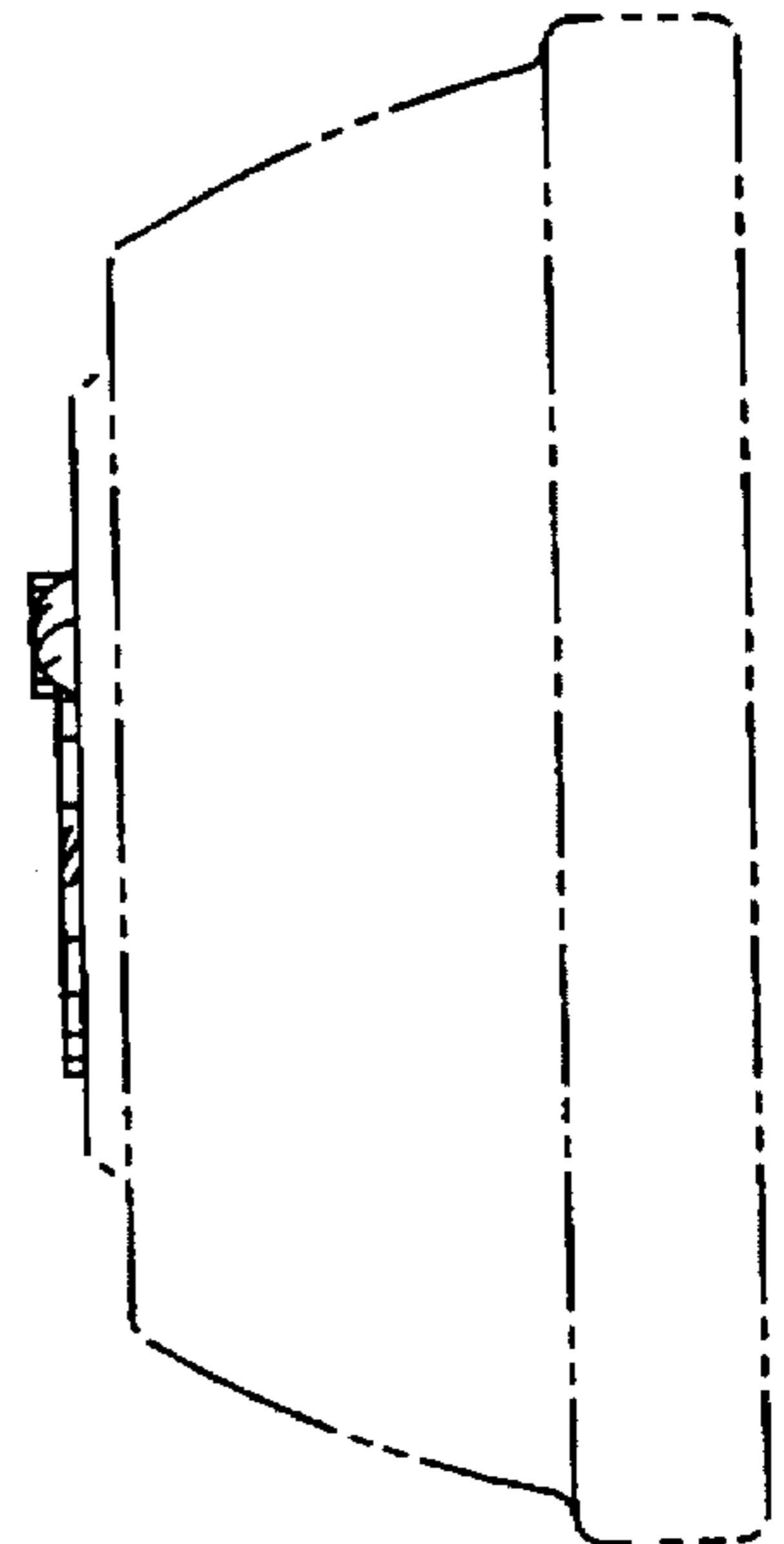


FIG. 6

