

US00D396796S

United States Patent [19] Gort

[11] Patent Number: Des. 396,796

[45] Date of Patent: **Aug. 11, 1998

[54] WINDOW SECURITY BAR

[76] Inventor: Larry L. Gort, 3724 Clyde Park Ave.
SW., Wyoming, Mich. 49509

[**] Term: 14 Years

[21] Appl. No.: 72,326

[22] Filed: Jun. 12, 1997

[51] LOC (6) Cl. 08-07

[52] U.S. Cl. D8/334

[58] Field of Search D8/330, 331, 339,
D8/341, 343, 346; 292/288, 289, 290, 291,
292, 293-296, DIG. 20, DIG. 46, DIG. 47;
70/89, 90, 91, 95

[56] **References Cited**

U.S. PATENT DOCUMENTS

D. 236,082	7/1975	Williams	D8/339
D. 346,106	4/1994	Walls	D8/339
D. 364,330	11/1995	Virzi	D8/339
3,615,114	10/1971	Harris	292/289 X

5,466,023	11/1995	Williamson	292/289 X
5,540,467	7/1996	Briffa	292/289 X
5,669,641	9/1997	Jeansonne	292/289 X

Primary Examiner—Brian N. Vinson

[57] **CLAIM**

The ornamental design for a window security bar, as shown.

DESCRIPTION

FIG. 1 is a front plan view of the window security bar of the present invention;
 FIG. 2 is a back plan view of the window security bar of FIG. 1;
 FIG. 3 is a left side plan view of the window security bar of FIG. 1;
 FIG. 4 is a right side plan view of the window security bar of FIG. 1;
 FIG. 5 is a top plan view of the window security bar of FIG. 1; and,
 FIG. 6 is a bottom plan view of the window security bar of FIG. 1.

1 Claim, 3 Drawing Sheets

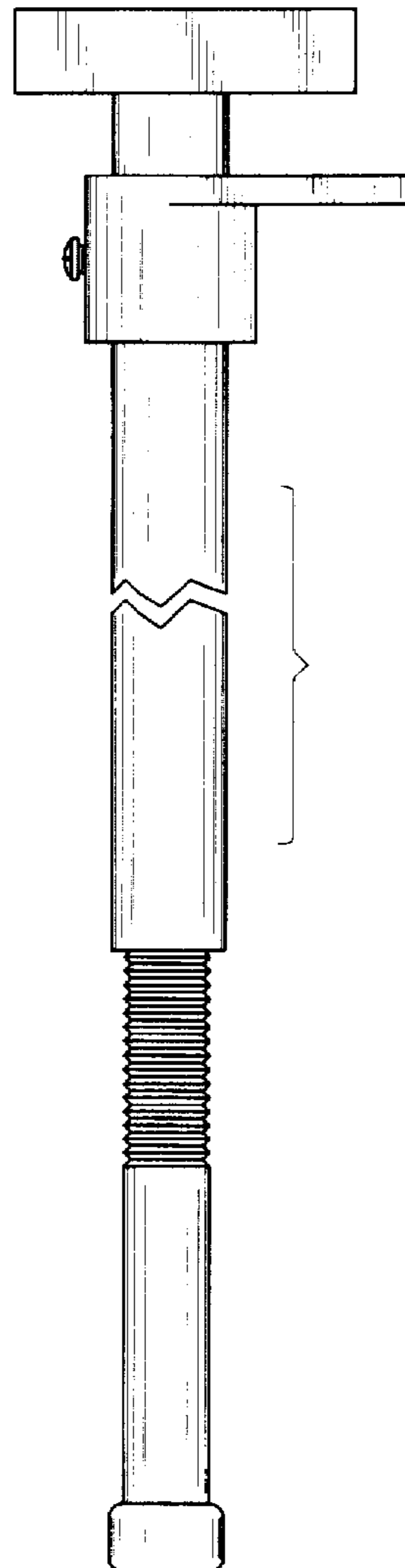
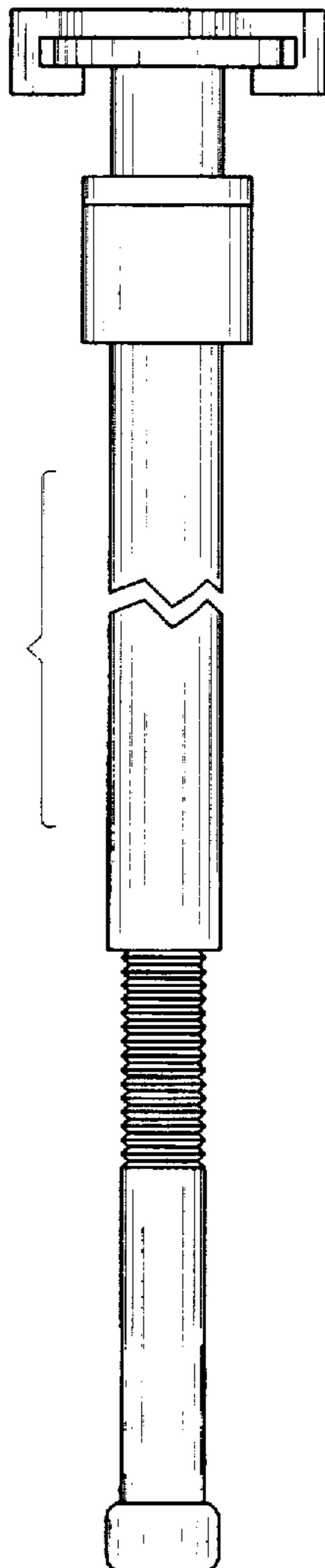


FIG. 1

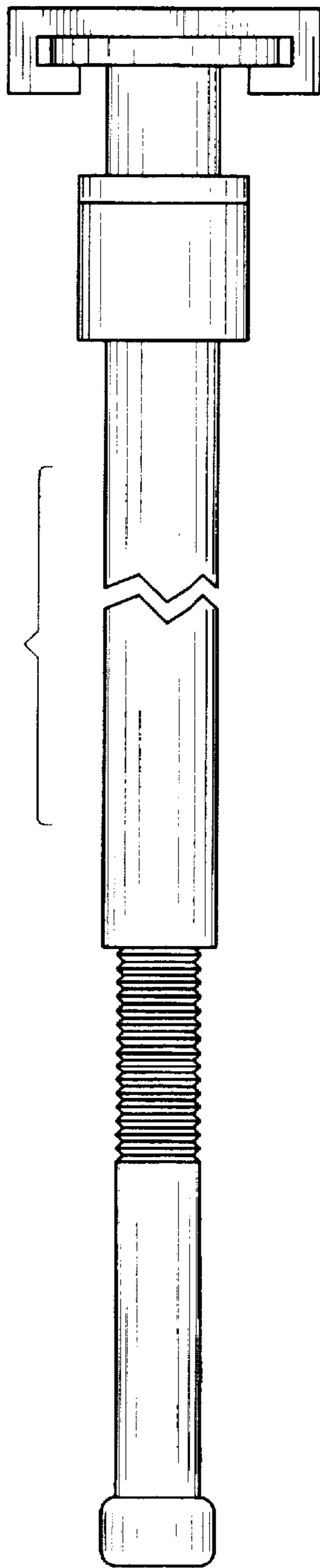


FIG. 2

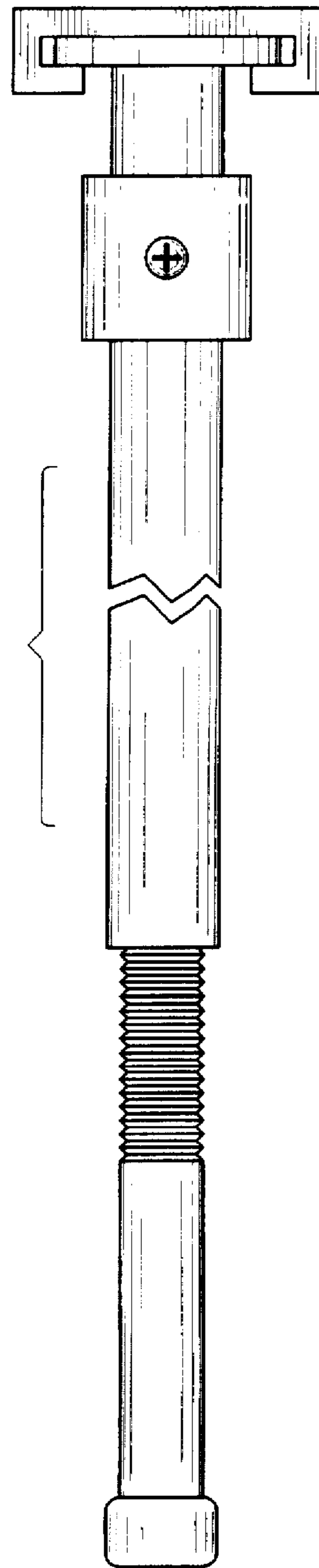


FIG. 3

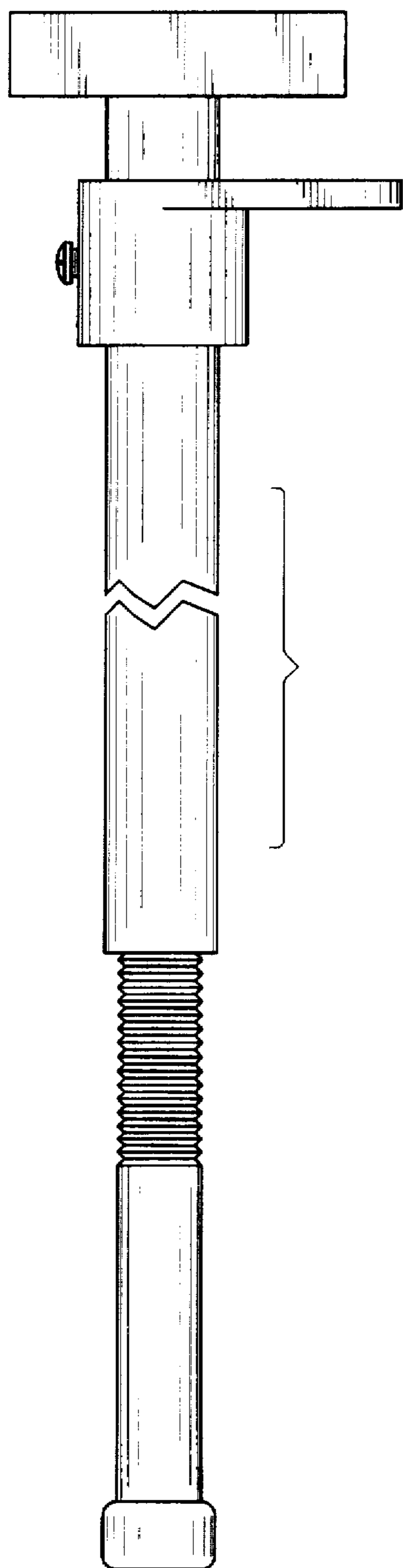


FIG. 4

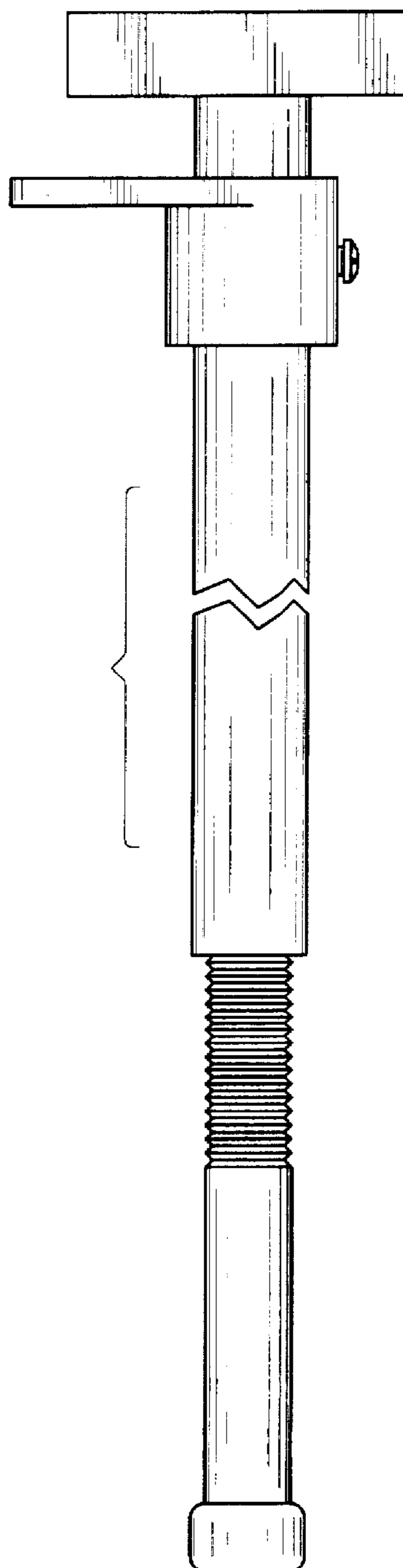


FIG. 5

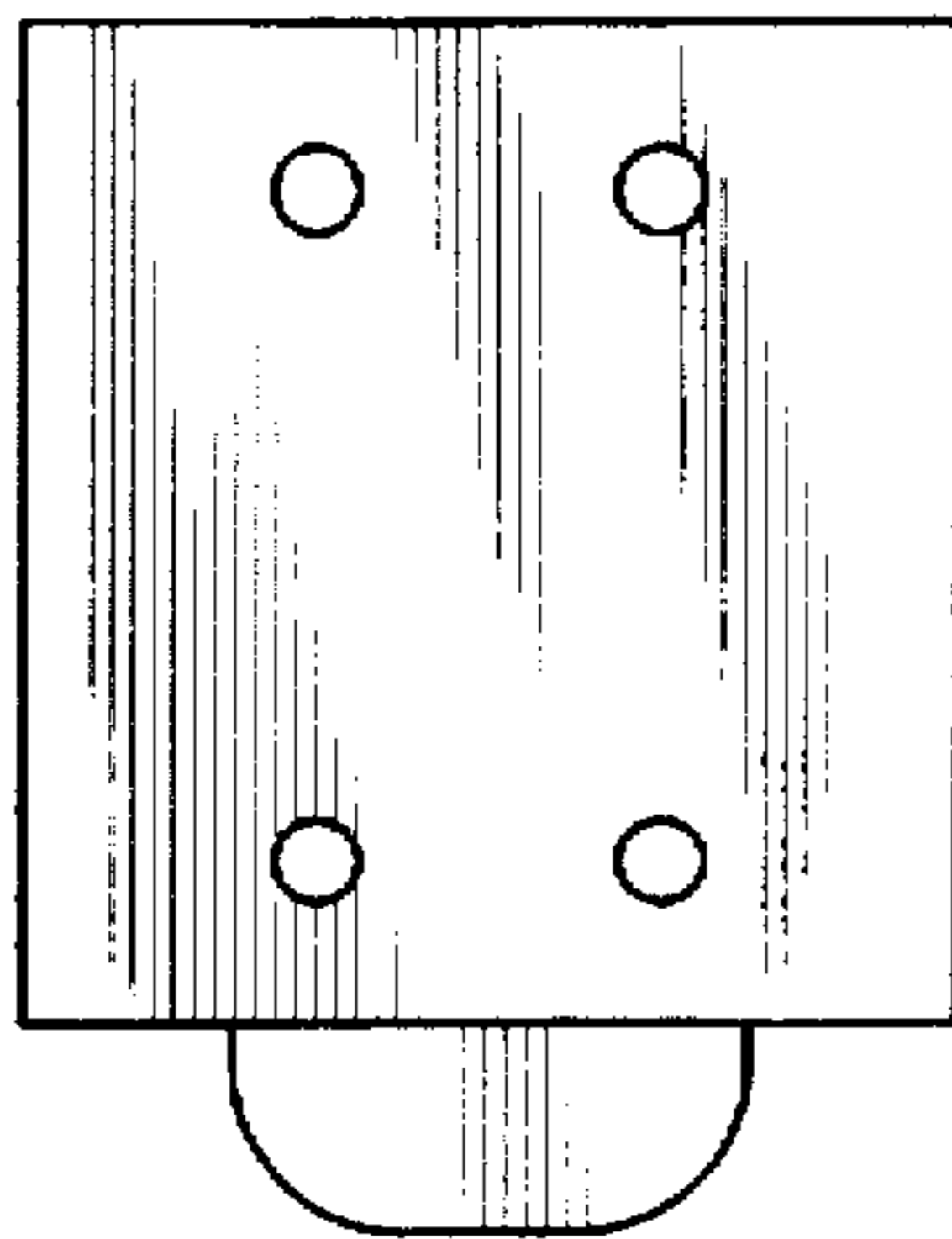


FIG. 6

