



US00D396792S

United States Patent [19] Connors

[11] Patent Number: **Des. 396,792**

[45] Date of Patent: ****Aug. 11, 1998**

[54] **MULTIPLE PURPOSE TOOL**

[76] Inventor: **Marianne Inge Connors**, 11 Princess Dr PO Box 54, Lisle, Ontario, Canada, L0M 1M0

[**] Term: **14 Years**

[21] Appl. No.: **76,017**

[22] Filed: **Aug. 29, 1997**

[51] LOC (6) Cl. **08-03**

[52] U.S. Cl. **D8/105; D8/98**

[58] Field of Search D8/95, 98, 102, D8/104, 105, 499; D10/62, 65, 61, 71; 33/429, 466, 474, 482, 480; 7/150, 164, 165; 81/439; D19/37-40, 65

[56] **References Cited**

U.S. PATENT DOCUMENTS

D. 134,142	10/1942	Truhon	D10/65
D. 185,921	8/1959	Draper	D32/42
D. 197,915	4/1964	Ayars	D8/26
D. 209,232	11/1967	Charniga, Jr.	D10/62
D. 242,693	12/1976	Kennedy	D10/62
D. 369,981	5/1996	Hayes	D10/65
386,487	7/1888	Murray	33/480

699,738	5/1902	Zange	33/482
3,061,933	11/1962	Hageman	33/482
3,319,337	5/1967	Cortez	33/466
3,327,360	6/1967	Nichols	33/429
4,821,424	4/1989	Loggins	33/474

Primary Examiner—Martie Thompson

[57] **CLAIM**

The ornamental design for a multiple purpose tool, as shown.

DESCRIPTION

FIG. 1 is a top plan view of the multiple purpose tool of the present invention;
 FIG. 2 is a bottom plan view of the multiple purpose tool of FIG. 1;
 FIG. 3 is a left side elevational view of the multiple purpose tool of FIG. 1;
 FIG. 4 is a right side elevational view of the multiple purpose tool of FIG. 1;
 FIG. 5 is a front elevational view of the multiple purpose tool of FIG. 1; and,
 FIG. 6 is a rear elevational view of the multiple purpose tool of FIG. 1.

1 Claim, 3 Drawing Sheets

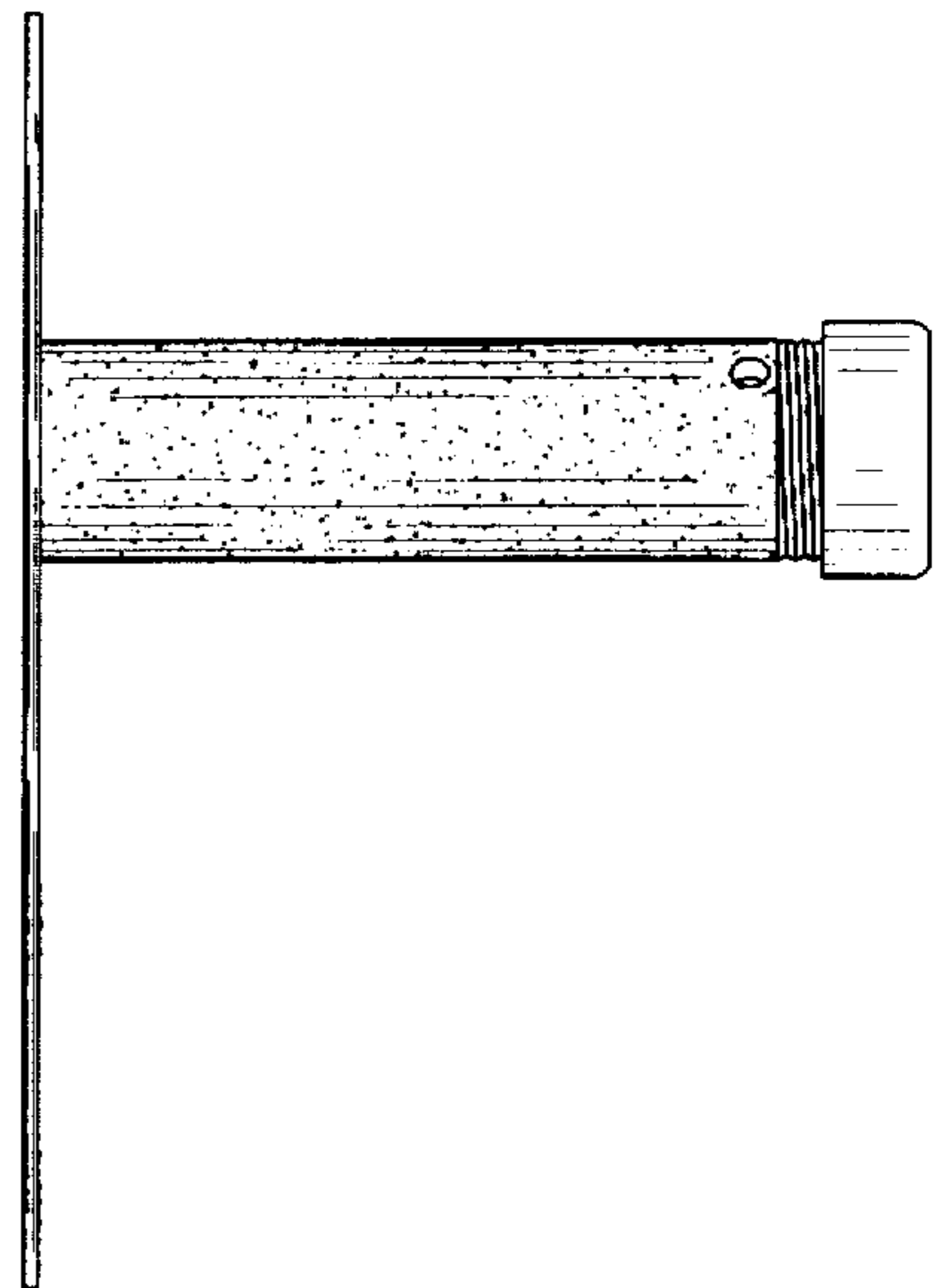
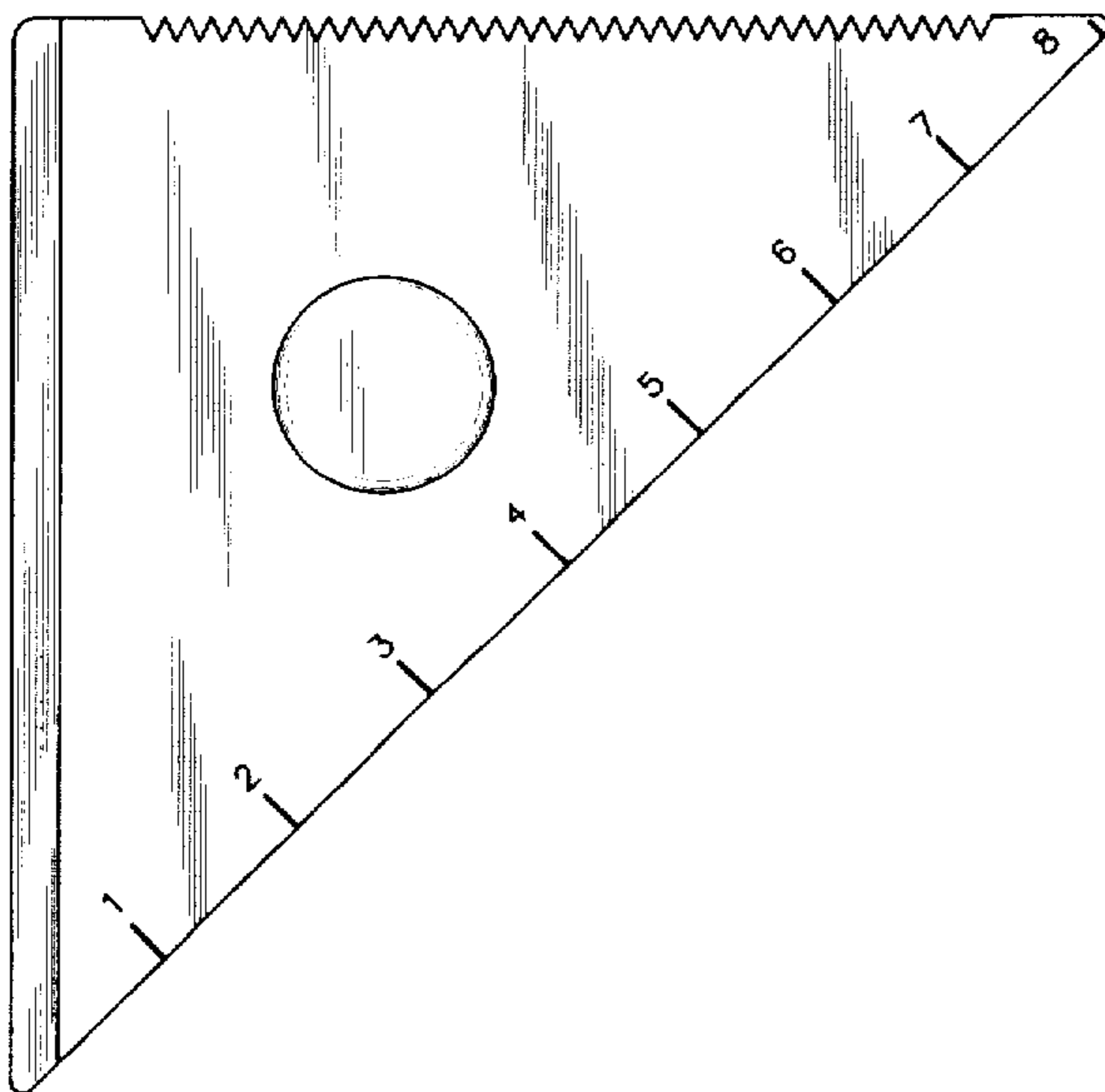


FIG. 1

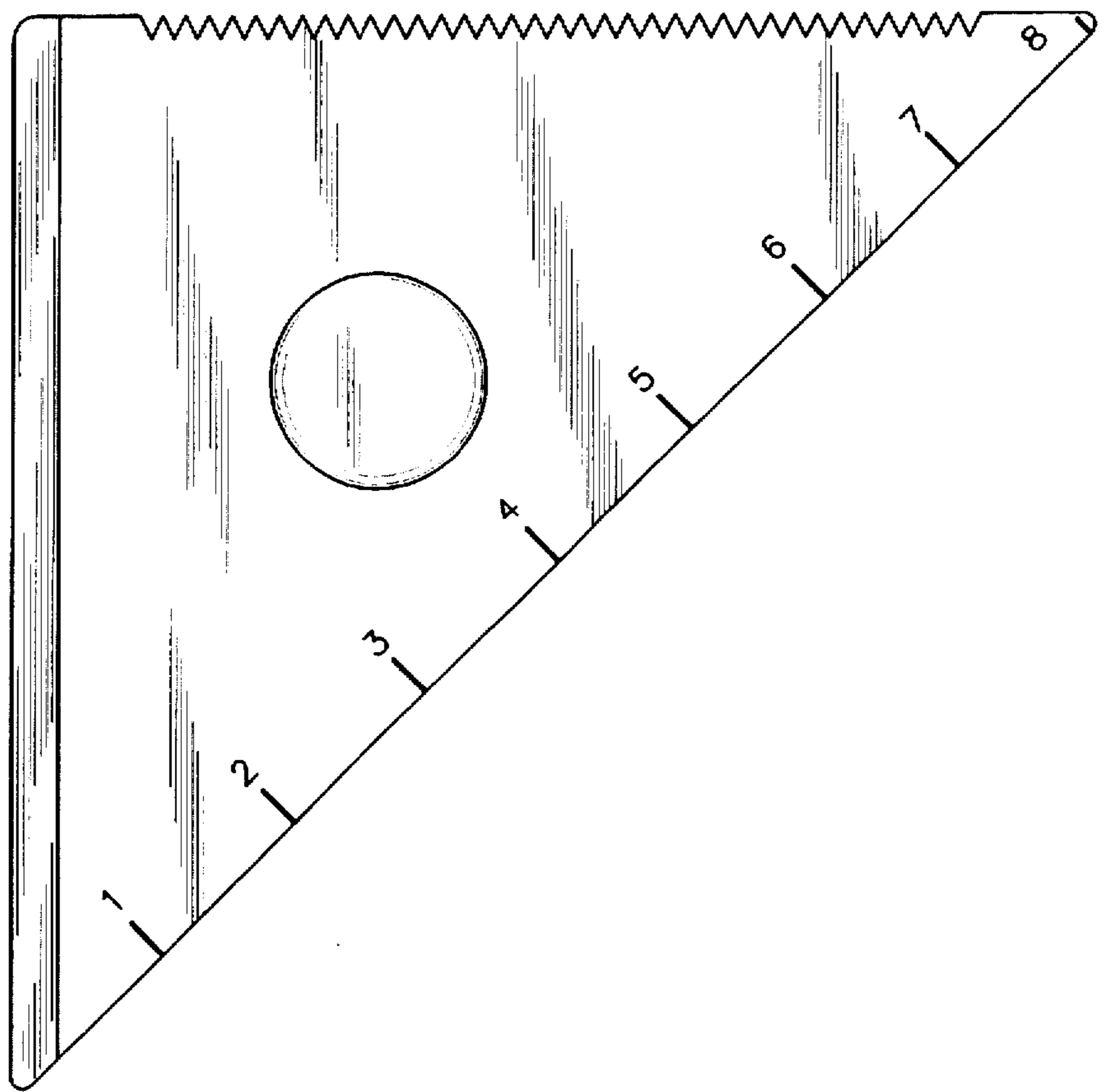


FIG. 2

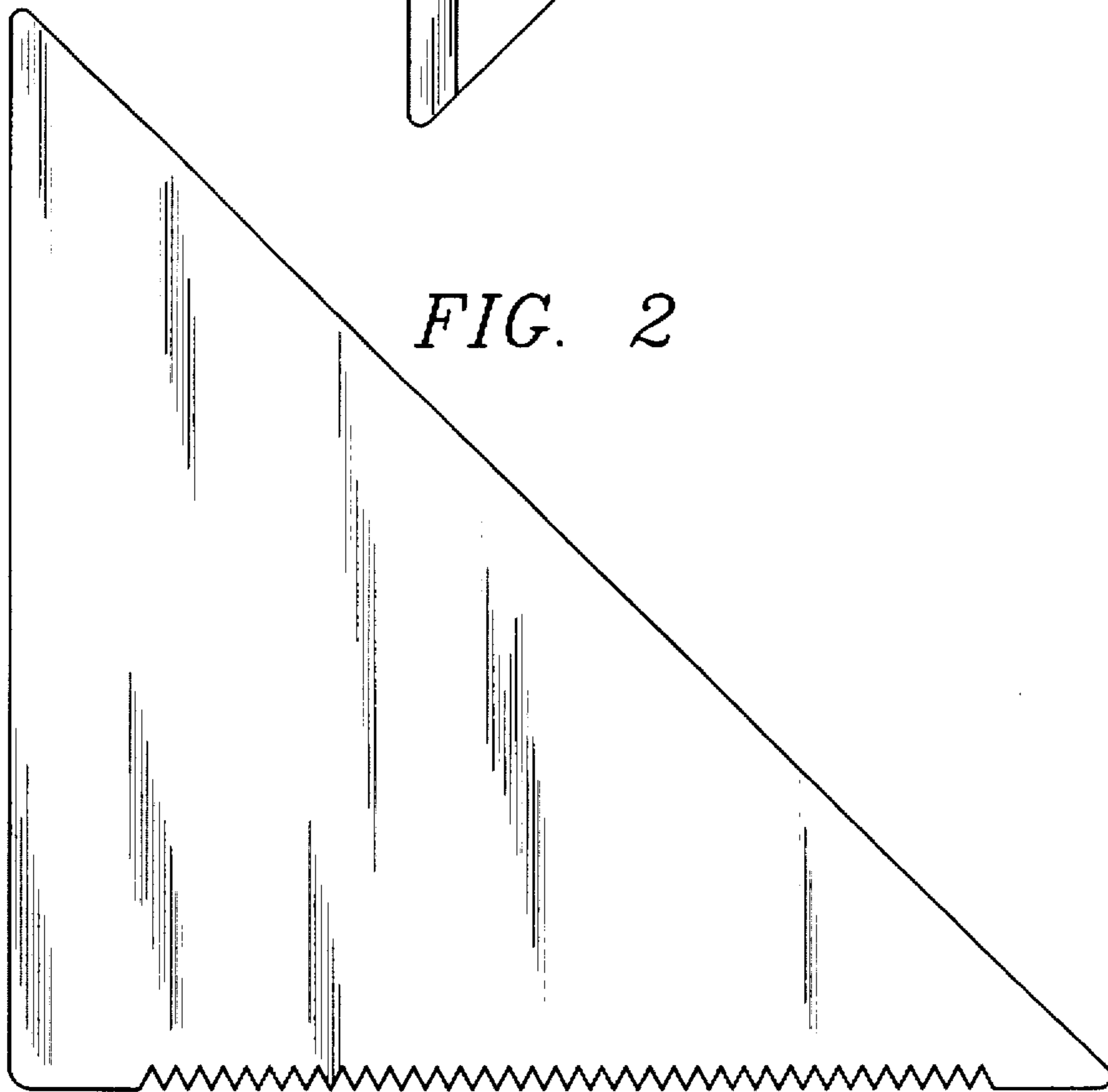


FIG. 3

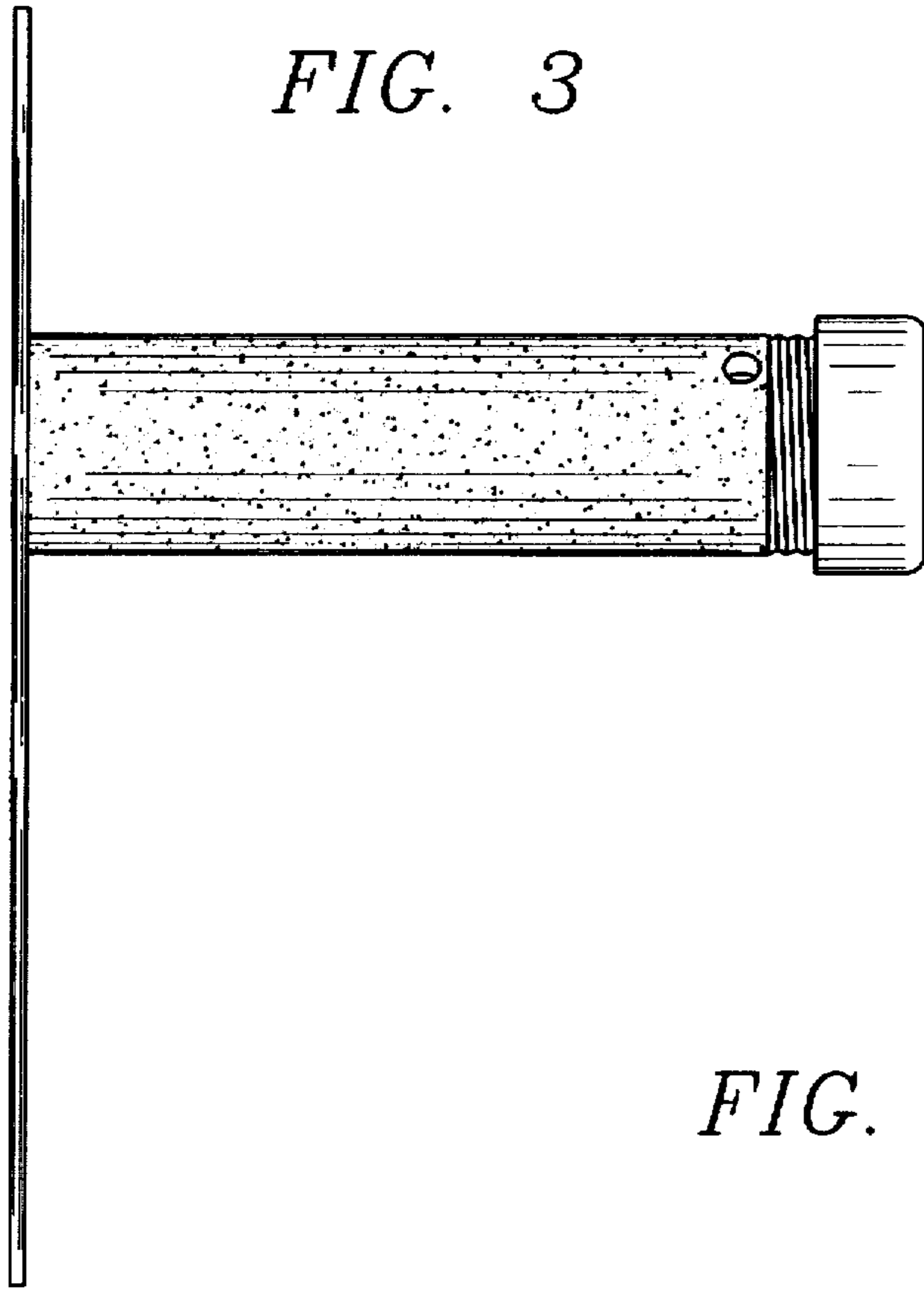


FIG. 4

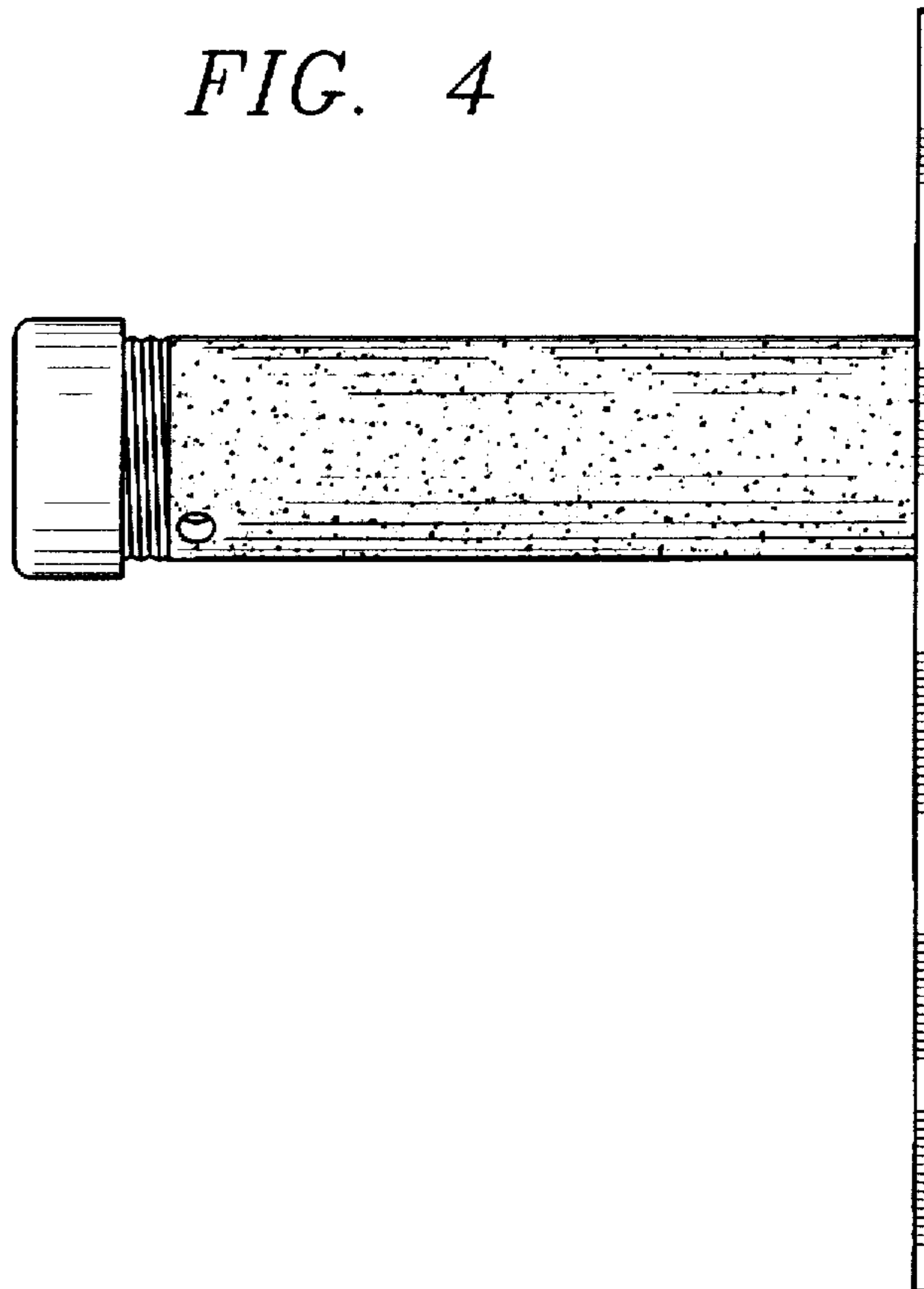


FIG. 5

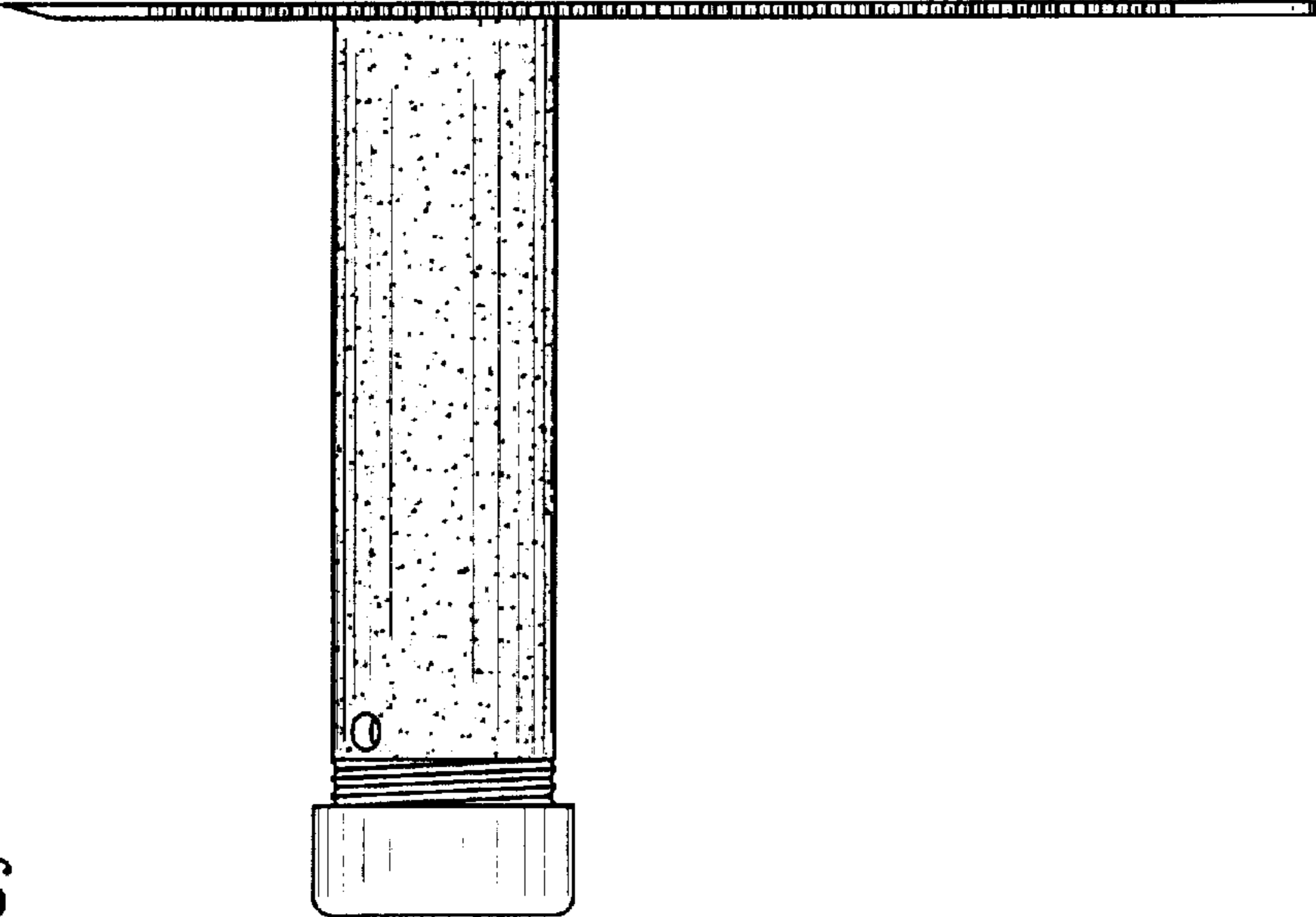


FIG. 6

