



US00D396789S

United States Patent [19]
Murray

[11] **Patent Number:** **Des. 396,789**
[45] **Date of Patent:** ****Aug. 11, 1998**

[54] **CORDLESS DRILL**

[75] **Inventor:** **Chris Murray**, Durham, United Kingdom

[73] **Assignee:** **Black & Decker Inc.**, Newark, Del.

[**] **Term:** **14 Years**

[21] **Appl. No.:** **75,377**

[22] **Filed:** **Aug. 18, 1997**

[30] **Foreign Application Priority Data**

Feb. 22, 1997 [GB] United Kingdom 2063493

[51] **LOC (6) Cl.** **08-02**

[52] **U.S. Cl.** **D8/68**

[58] **Field of Search** D8/62, 68; 74/371;
81/57.11, 57.43, 177.6, 436, 438; 178/170,
217

[56] **References Cited**

U.S. PATENT DOCUMENTS

- D. 300,503 4/1989 Schultz .
- D. 302,646 8/1989 Sasaki et al. D8/68
- D. 335,073 4/1993 Anthony et al. .
- D. 341,536 11/1993 Fukuda et al. .
- D. 359,215 6/1995 Zurwelle .

- D. 362,167 9/1995 Zurwelle .
- D. 368,009 3/1996 Zurwelle .
- D. 368,214 3/1996 Zurwelle .
- D. 377,442 1/1997 Kikuchi .
- D. 377,893 2/1997 Lui .
- D. 378,268 3/1997 Schultz .
- D. 378,654 4/1997 Matsuoka et al. .
- D. 380,952 7/1997 Kim .
- D. 382,457 8/1997 Ghode et al. .

Primary Examiner—Antoine Duval Davis
Attorney, Agent, or Firm—Bruce S. Shapiro; Dennis A. Dearing; John D. Del Ponti

[57] **CLAIM**

The ornamental design for a cordless drill, as shown and described.

DESCRIPTION

FIG. 1 is a perspective view of a cordless drill showing my new design;
FIG. 2 is a right side elevational view thereof;
FIG. 3 is a left side elevational view thereof;
FIG. 4 is a top plan view thereof;
FIG. 5 is a bottom plan view thereof;
FIG. 6 is a front elevational view thereof; and
FIG. 7 is a rear elevational view thereof.

1 Claim, 4 Drawing Sheets

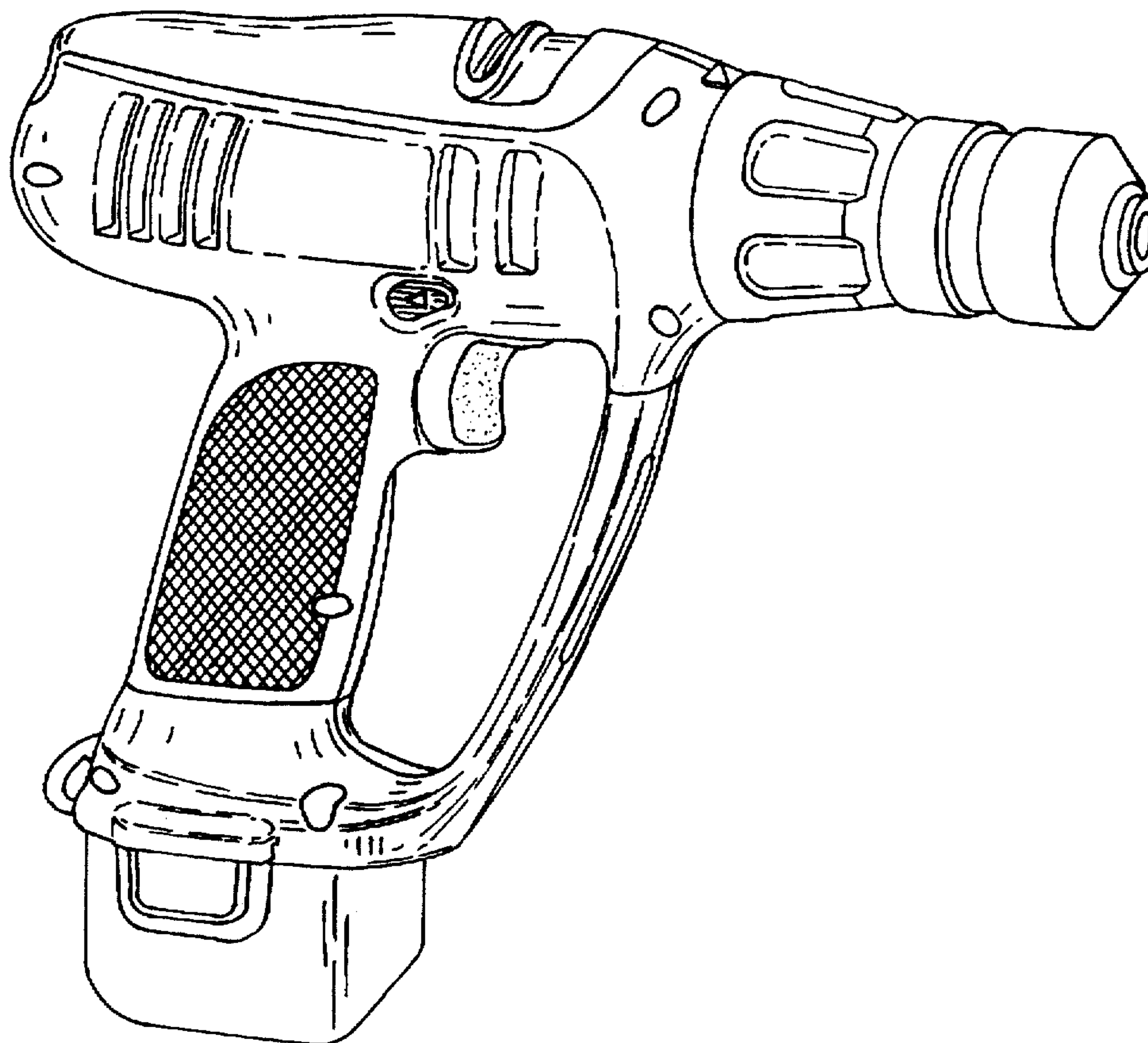
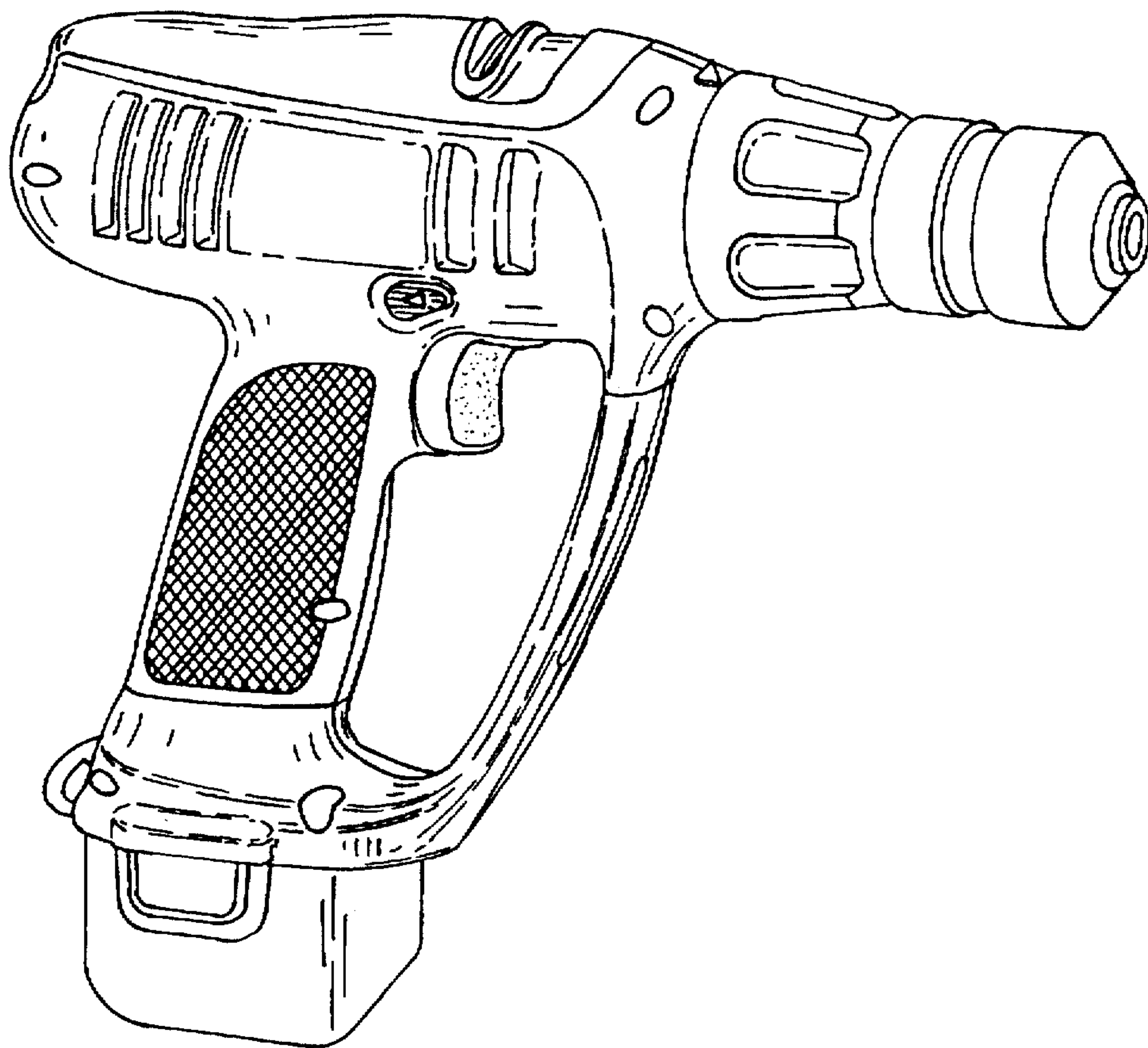


FIG. 1



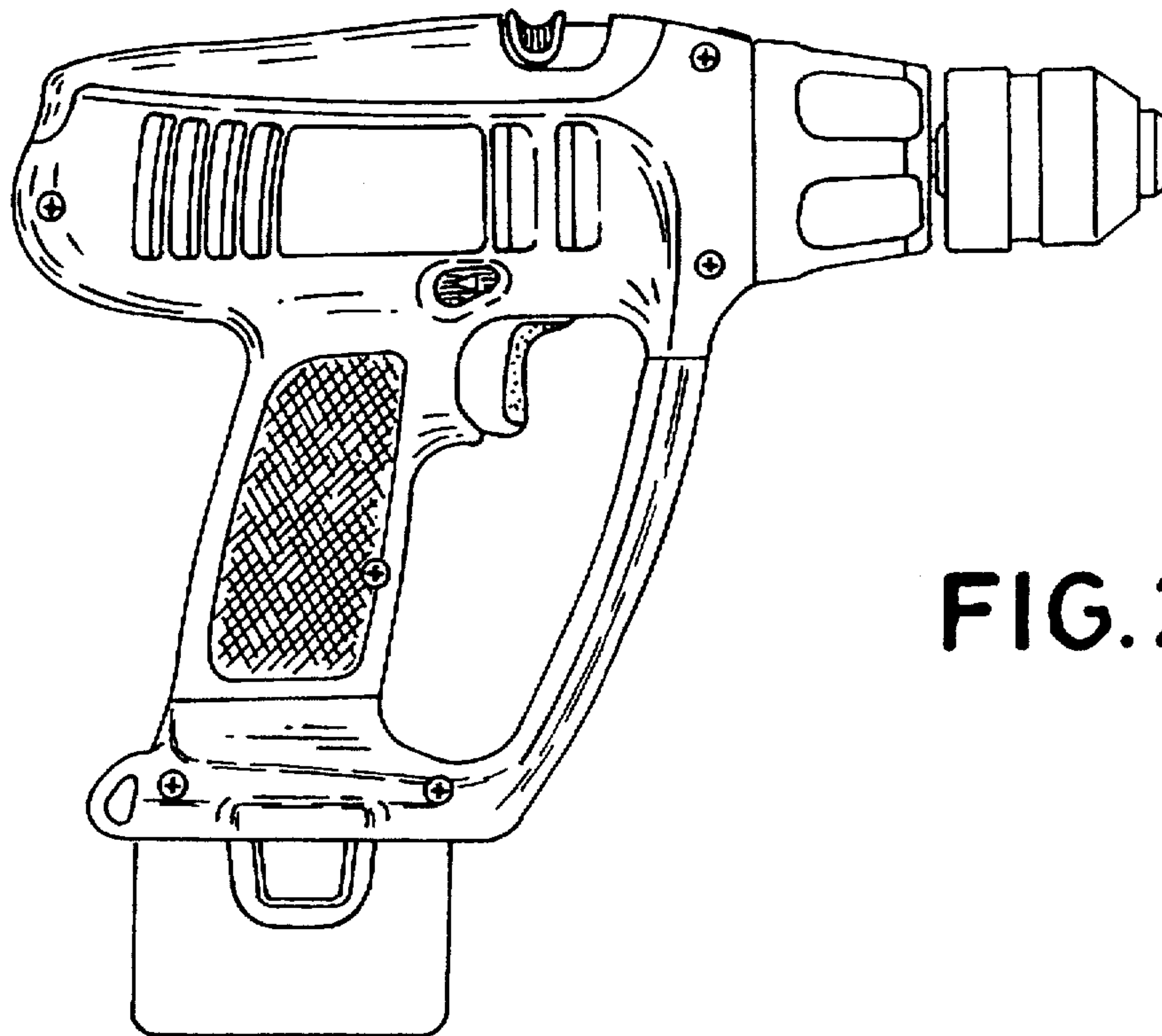


FIG. 2

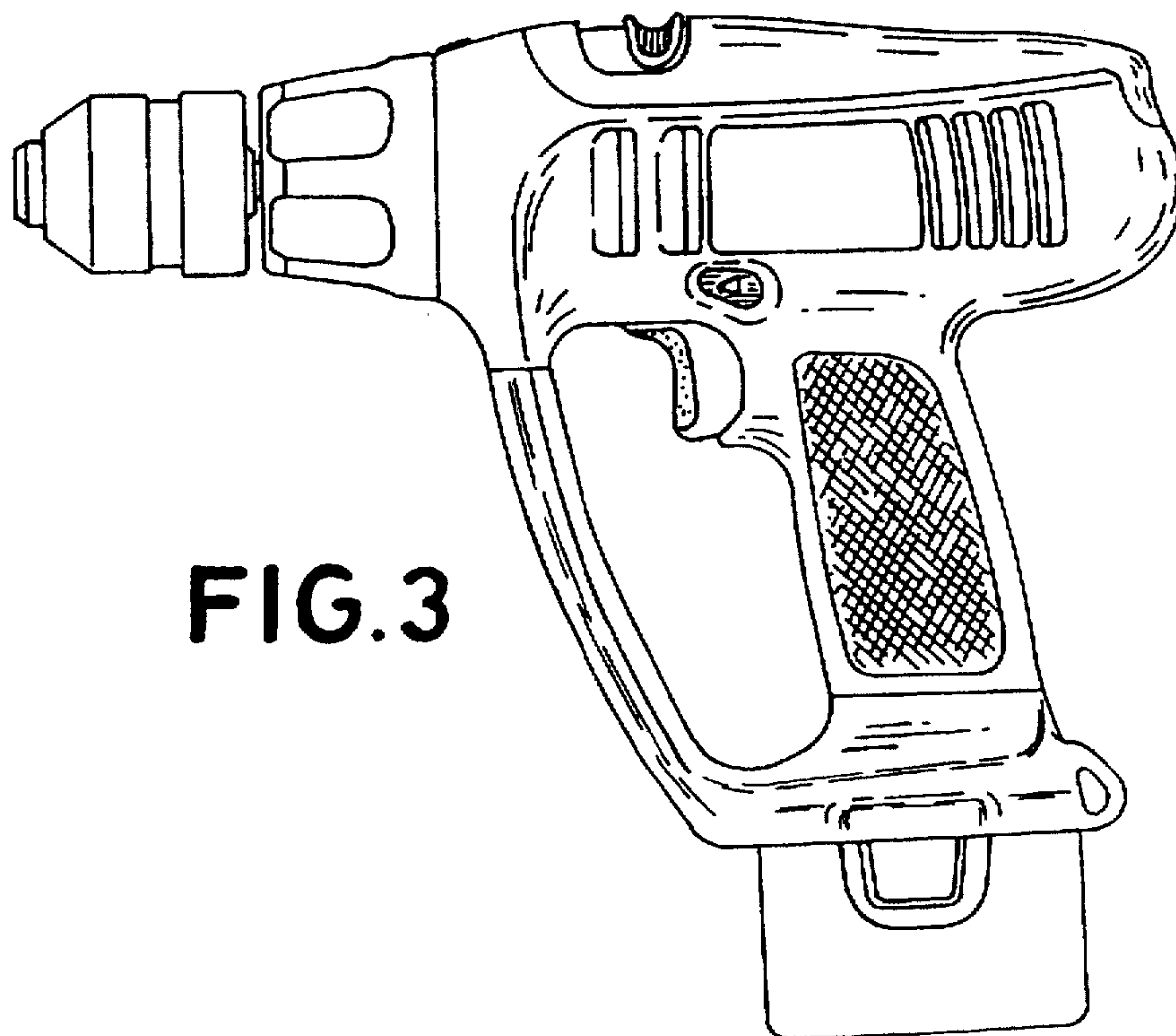


FIG. 3

FIG. 4

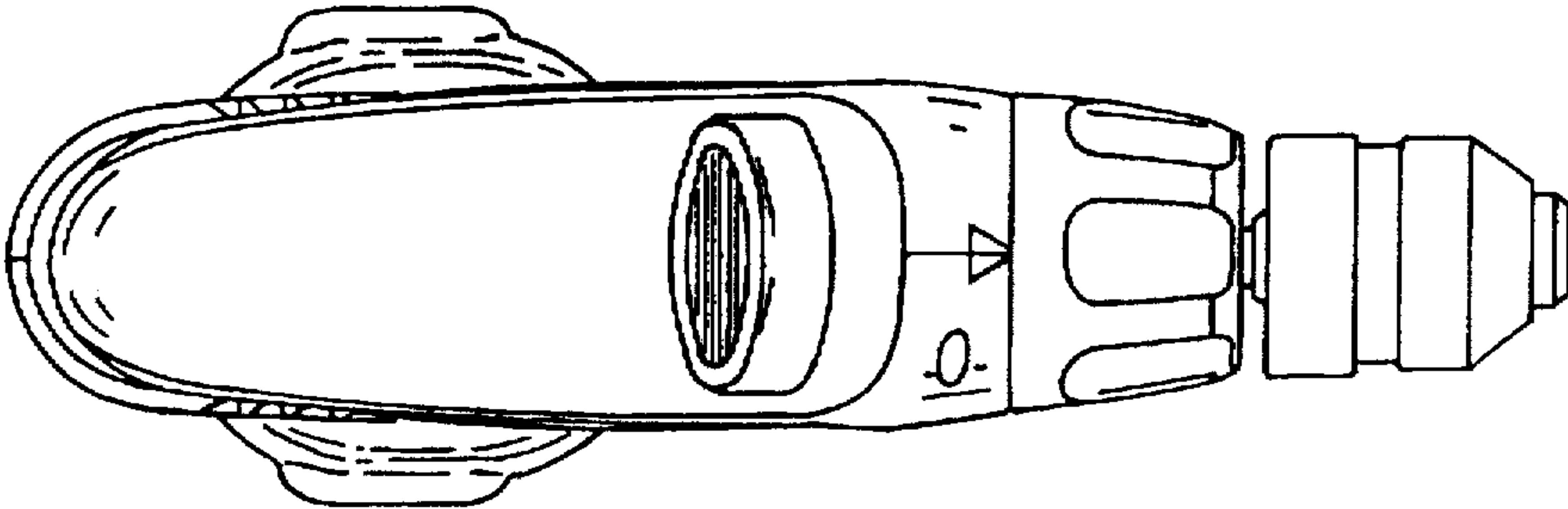
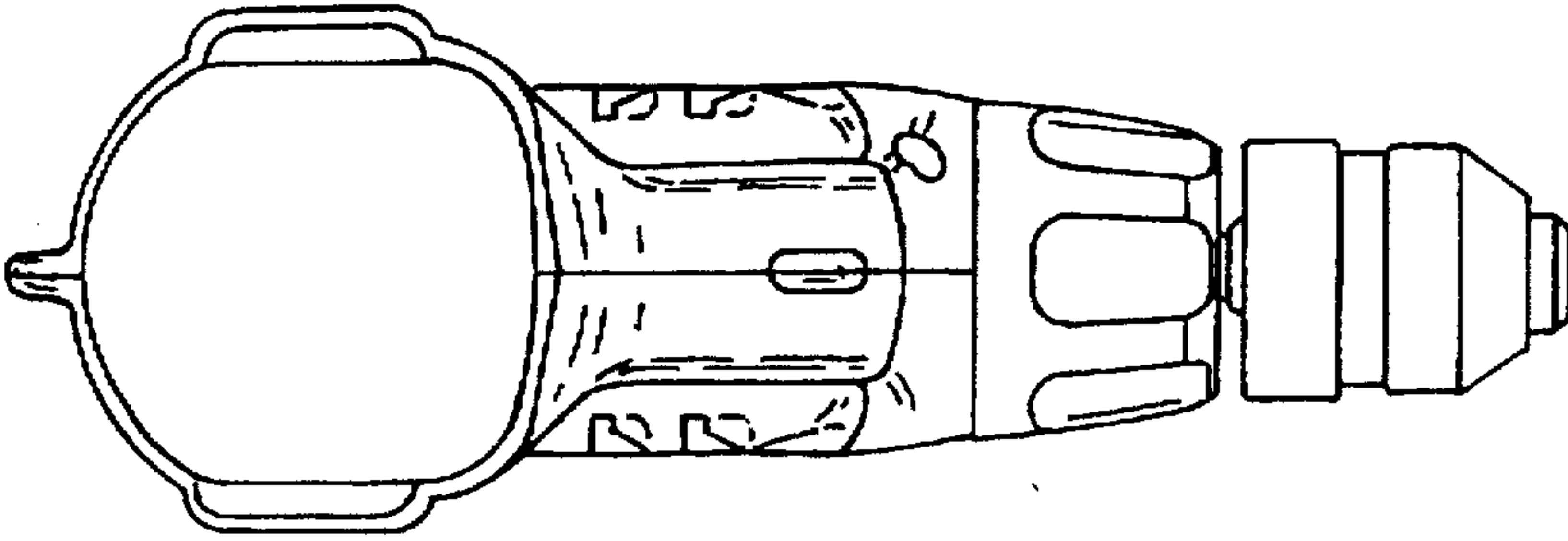


FIG. 5



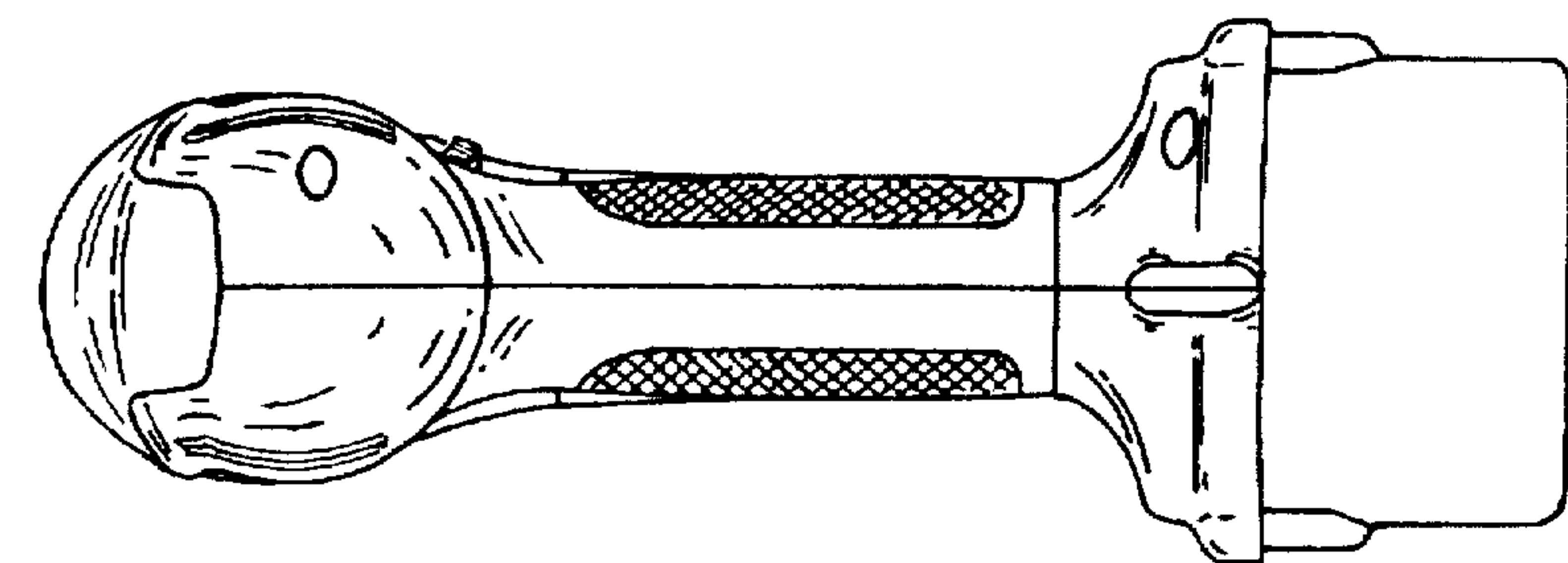


FIG. 6

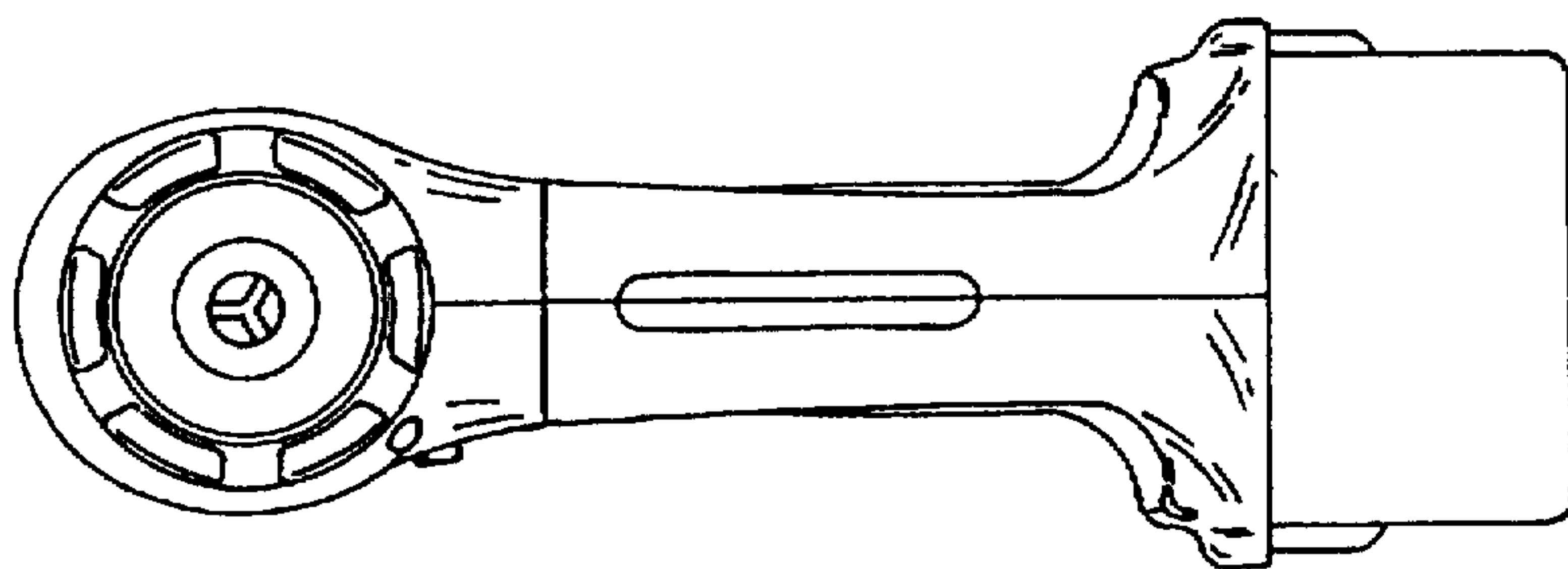


FIG. 7