

US00D396788S

# United States Patent [19]

Arita et al.

[11] Patent Number: **Des. 396,788**

[45] Date of Patent: **\*\*Aug. 11, 1998**

[54] **ELECTRIC CAN OPENER**

D. 296,752 7/1988 Shimo ..... D8/36

[75] Inventors: **Toyomi Arita**, Osaka; **Shigehiro Uemura**, Kyoto; **Kazuo Takada**, Nara, all of Japan

*Primary Examiner*—Caron D. Veynar  
*Attorney, Agent, or Firm*—Loeb & Loeb LLP

[73] Assignee: **Sanyo Electric Co., Ltd.**, Osaka, Japan

[57] **CLAIM**

[\*\*] Term: **14 Years**

The ornamental design for an electric can opener, as shown and described.

[21] Appl. No.: **75,877**

**DESCRIPTION**

[22] Filed: **Jul. 9, 1997**

FIG. 1 is a front perspective view of an electric can opener showing our new design, the electric can opener includes a battery that is fragmentarily shown in broken lines for illustrative purposes only and forms no part of the claimed design;

[30] **Foreign Application Priority Data**

Jan. 8, 1997 [JP] Japan ..... 9-277

FIG. 2 is another front perspective view of FIG. 1 showing a lever in a rotated position;

[51] LOC (6) Cl. .... **07-99**

[52] U.S. Cl. .... **D8/41; D8/36**

FIG. 3 is a front view thereof;

[58] Field of Search ..... **D8/33-43; 7/151,**

**7/152; 30/400, 410, 416**

FIG. 4 is a rear view thereof;

FIG. 5 is a top view thereof;

FIG. 6 is a bottom view thereof;

FIG. 7 is a left side view thereof; and,

FIG. 8 is a right side view thereof.

[56] **References Cited**

**U.S. PATENT DOCUMENTS**

D. 276,406 11/1984 Johnson et al. .... D8/41

D. 295,139 4/1988 Ohnishi et al. .... D8/41

**1 Claim, 4 Drawing Sheets**

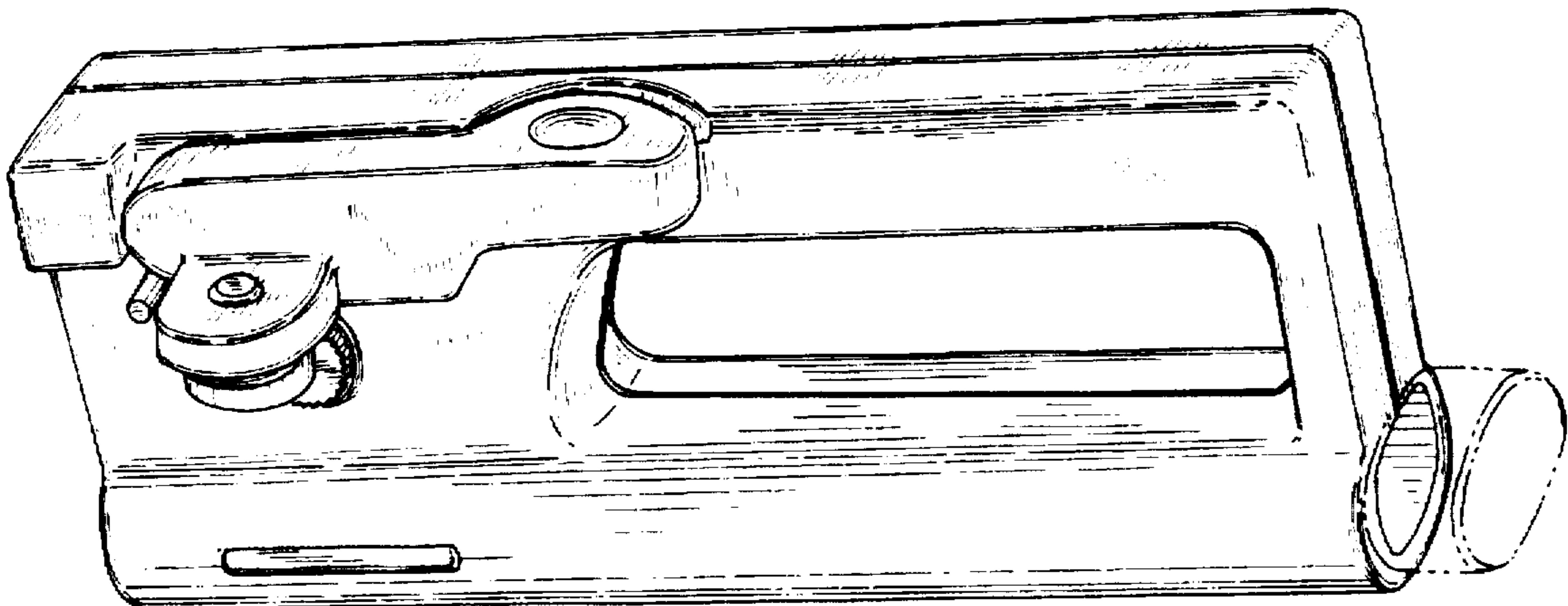


FIG. 1

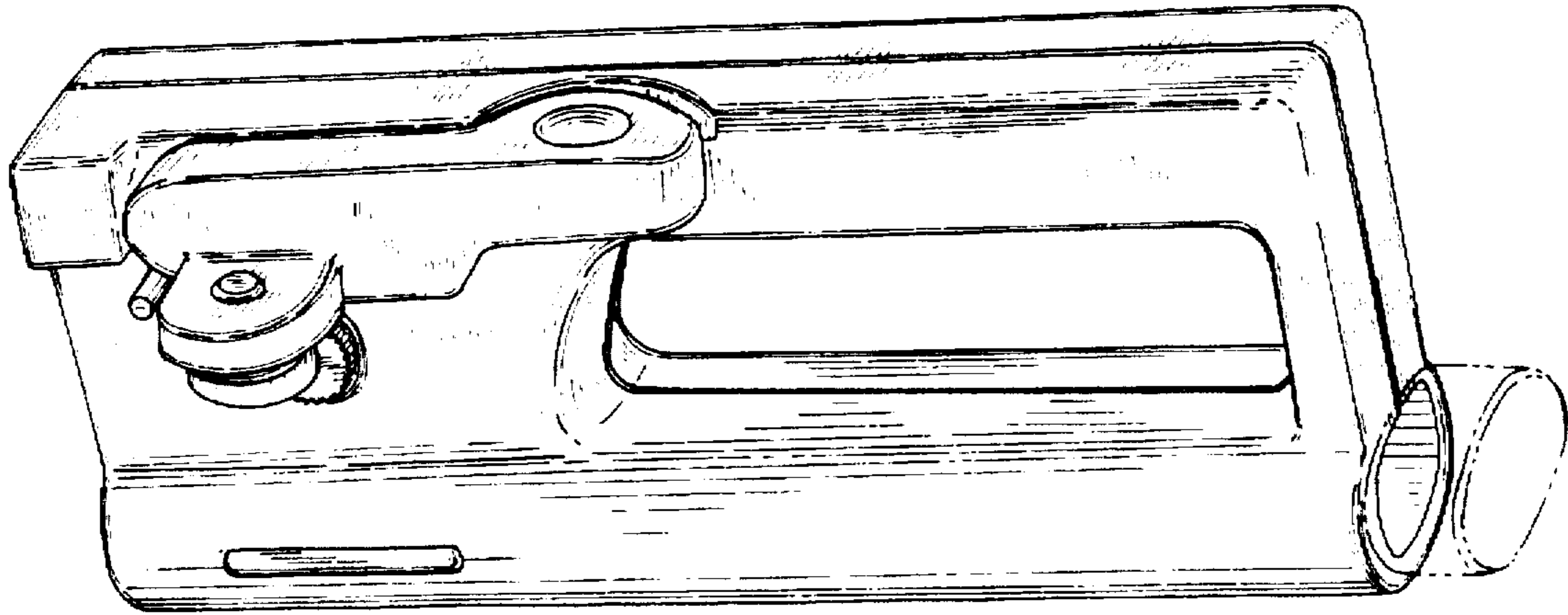


FIG. 2

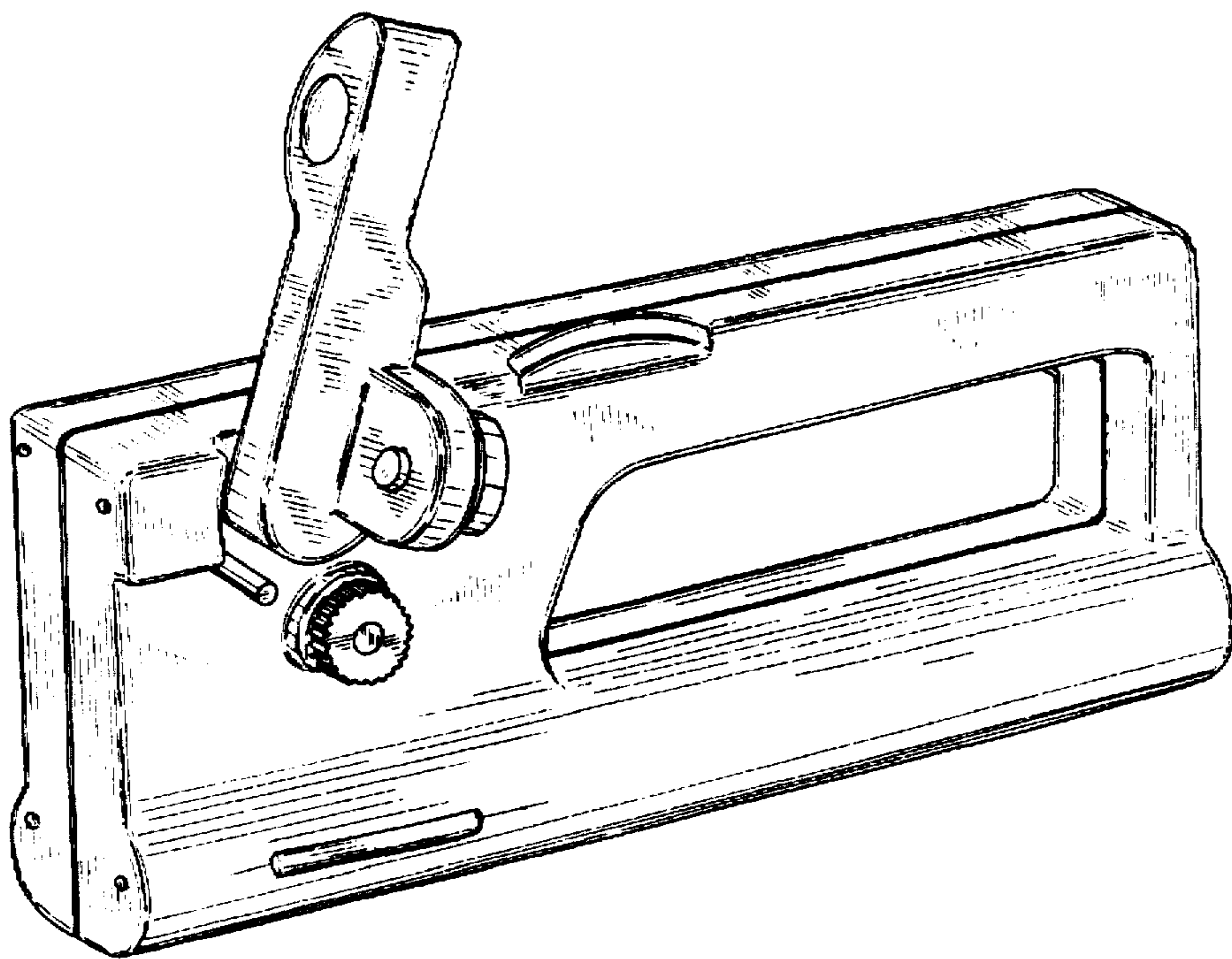


FIG. 3

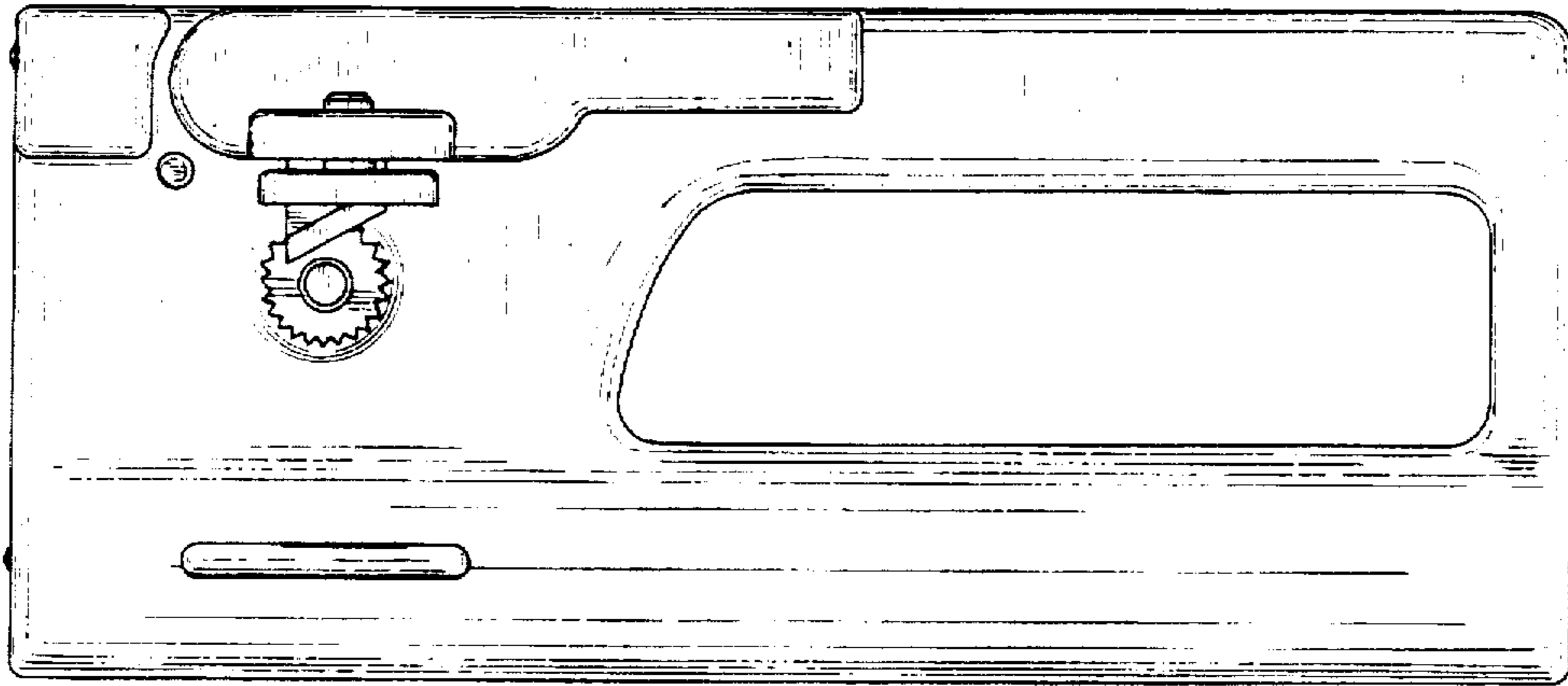


FIG. 4

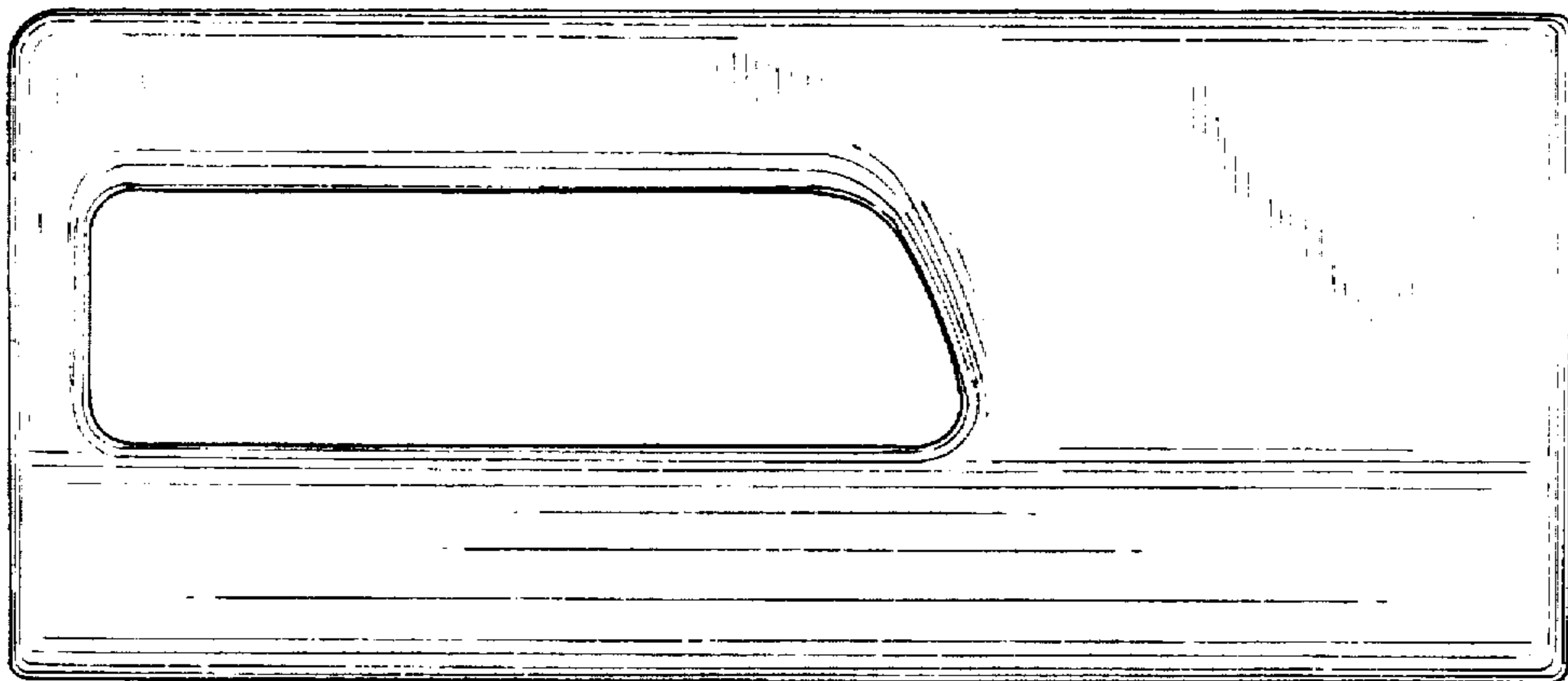


FIG. 5

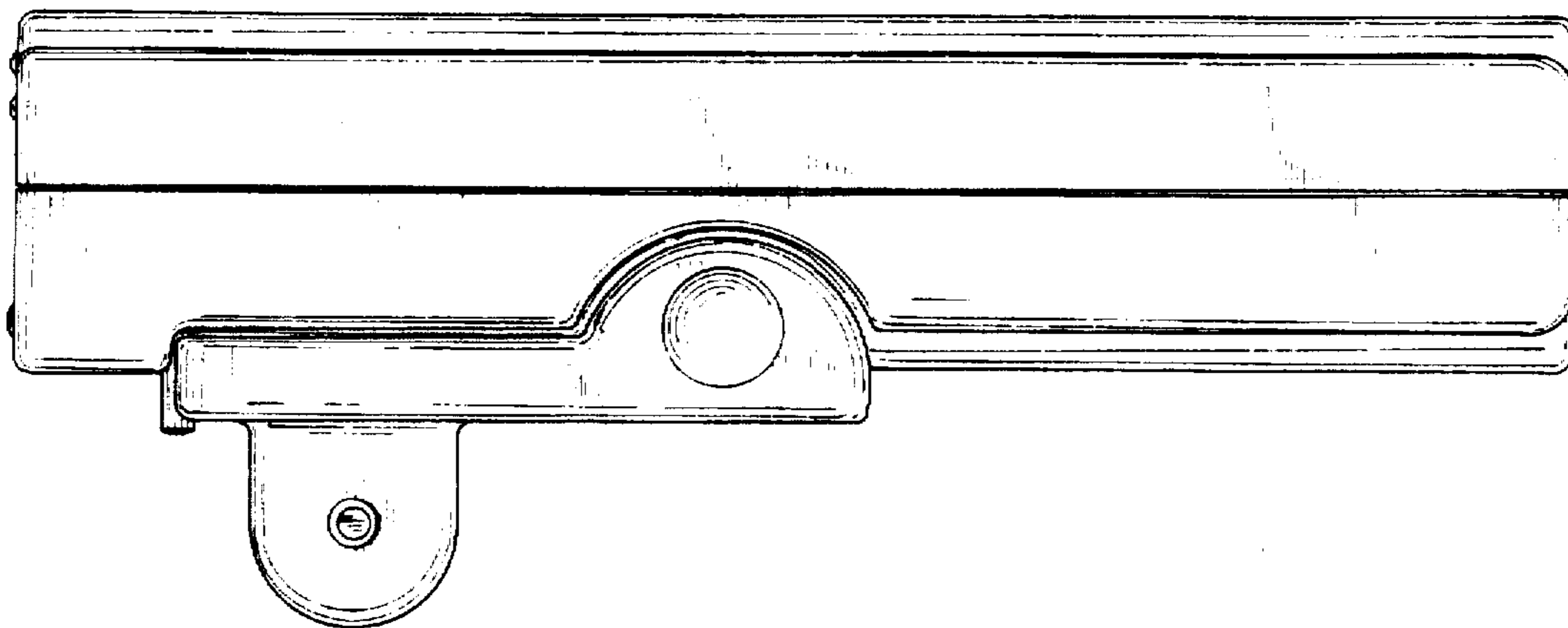


FIG. 6

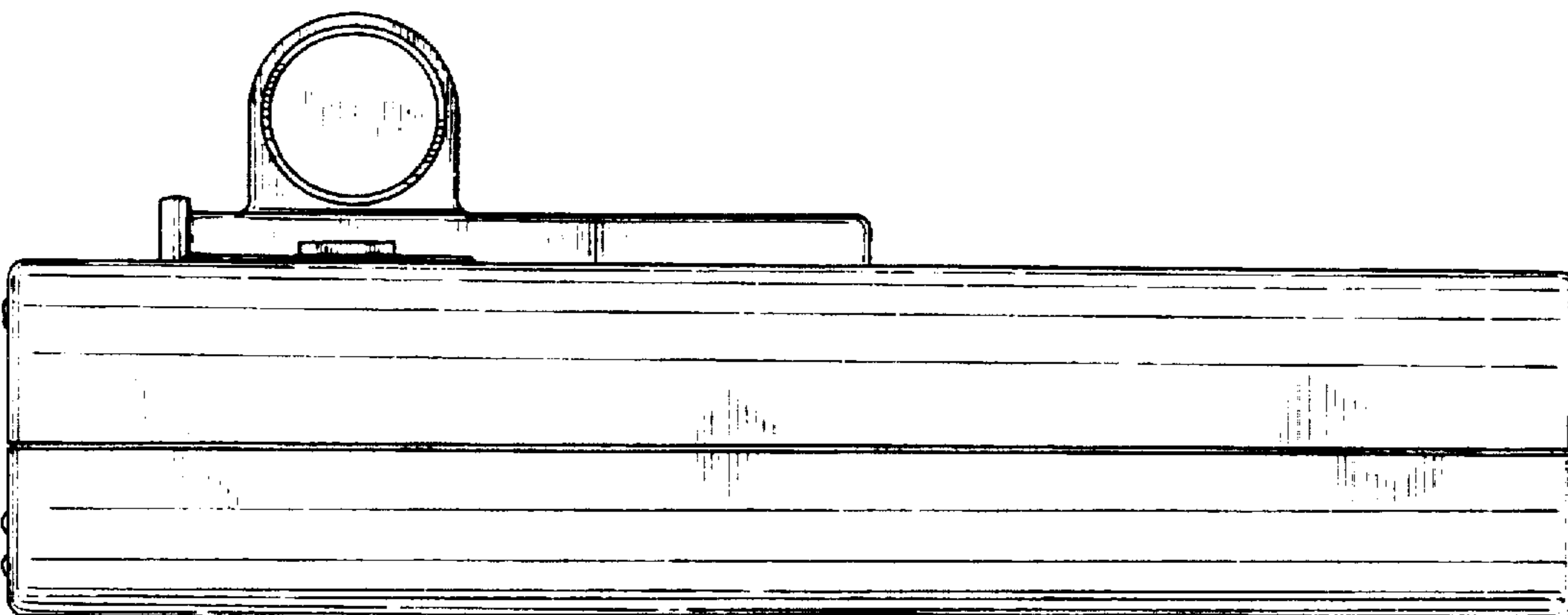


FIG. 7

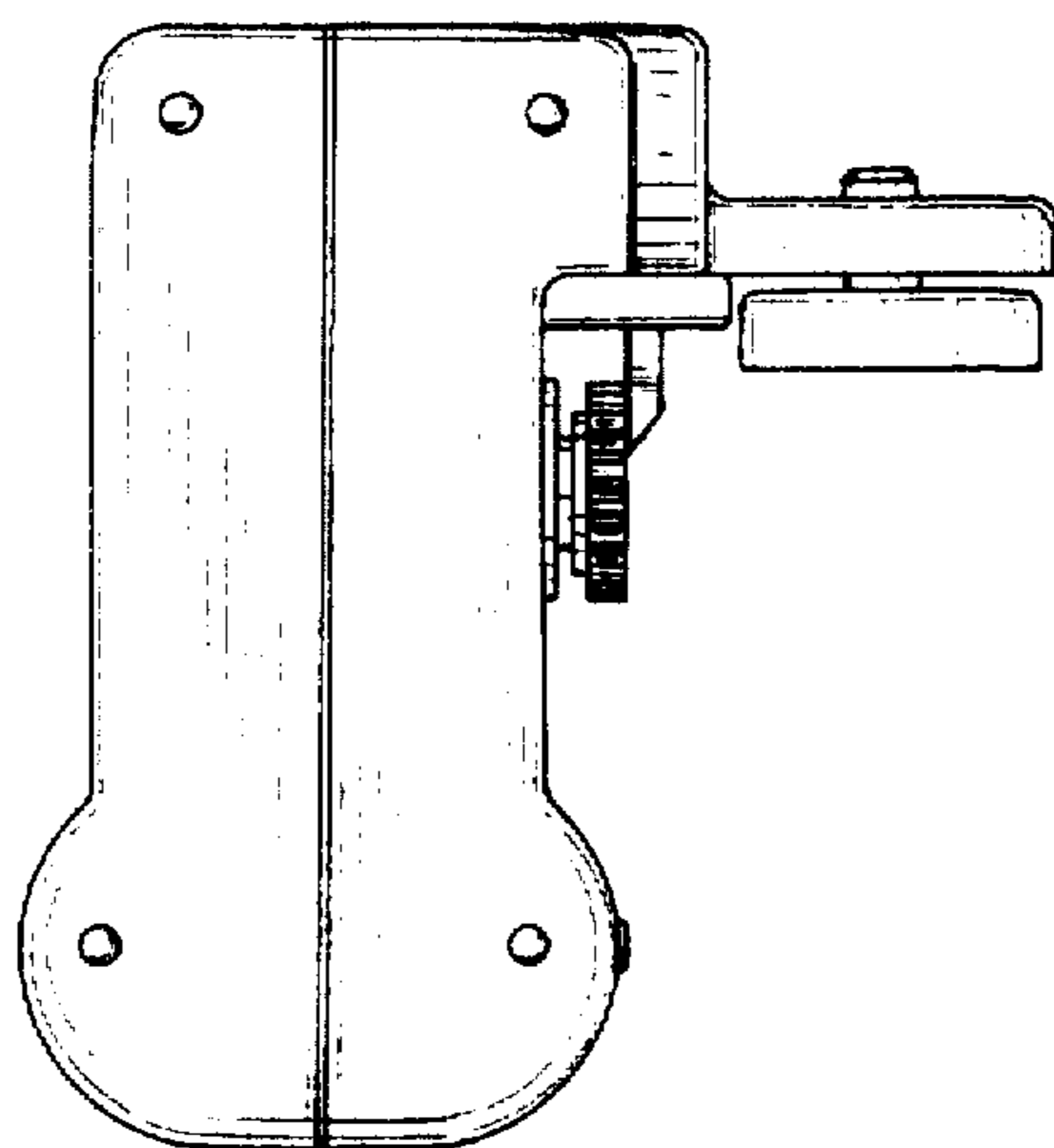


FIG. 8

