



US00D396783S

United States Patent [19]
Lee

[11] **Patent Number: Des. 396,783**

[45] **Date of Patent: **Aug. 11, 1998**

[54] **WINE BOTTLE RACK**

5,180,066 1/1993 McDrdle D7707 X

[76] **Inventor: Min Wei Lee, No. 14, Lane 248, Feng Jen Road, Fengshan City, Kaohsiung Hsien, Taiwan**

Primary Examiner—Terry A. Wallace
Attorney, Agent, or Firm—Pro-Techtor International Services

[**] **Term: 14 Years**

[57] **CLAIM**

[21] **Appl. No.: 76,999**

The ornamental design for a wine bottle rack, as shown and described.

[22] **Filed: Sep. 19, 1997**

DESCRIPTION

[51] **LOC (6) Cl. 07-06**

FIG. 1 is a perspective view of a wine bottle rack showing my new design;

[52] **U.S. Cl. D7701**

FIG. 2 is a front elevational view of the design;

[58] **Field of Search D7701, 707, 708, D77619; D6/465, 466, 467, 469; 211/60.1, 70.1, 73, 74; 248/103, 146, 152**

FIG. 3 is a rear elevational view of the design;

FIG. 4 is a left side elevational view of the design;

FIG. 5 is a right side elevational view of the design;

FIG. 6 is a top plan view of the design; and,

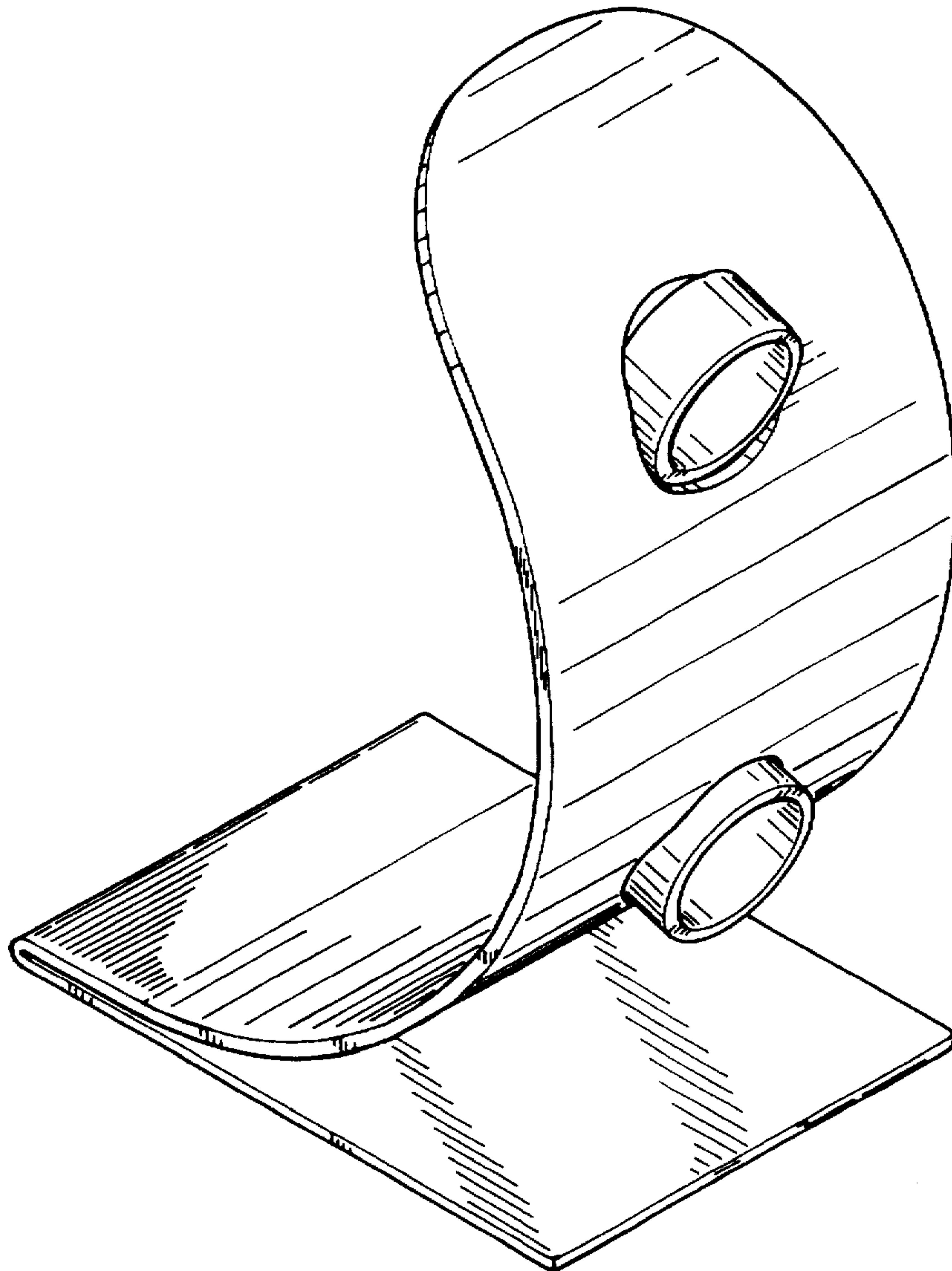
FIG. 7 is a bottom plan view of the design.

[56] **References Cited**

U.S. PATENT DOCUMENTS

4,496,124 1/1985 Cole 248/146

1 Claim, 4 Drawing Sheets



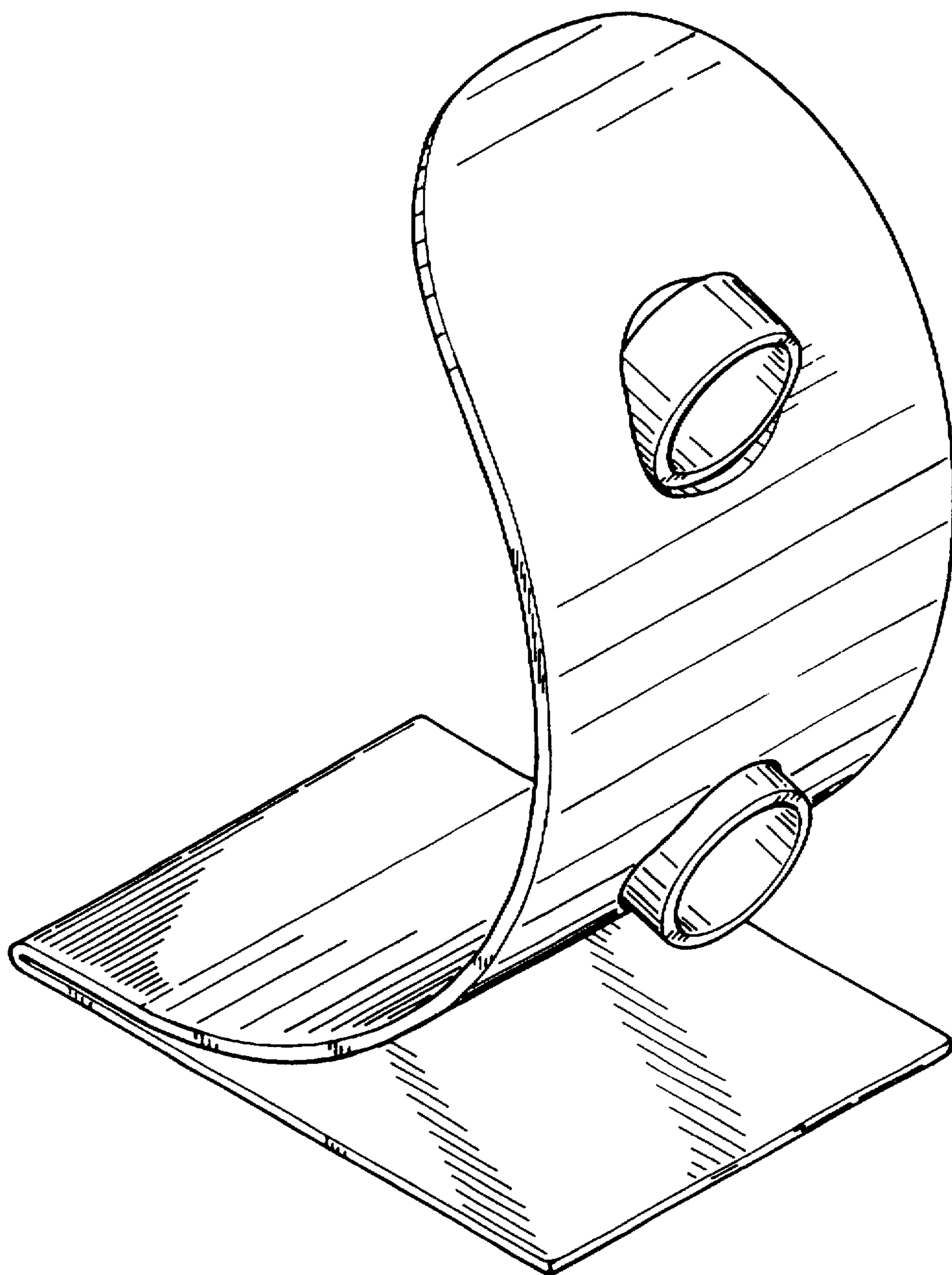


FIG. 1

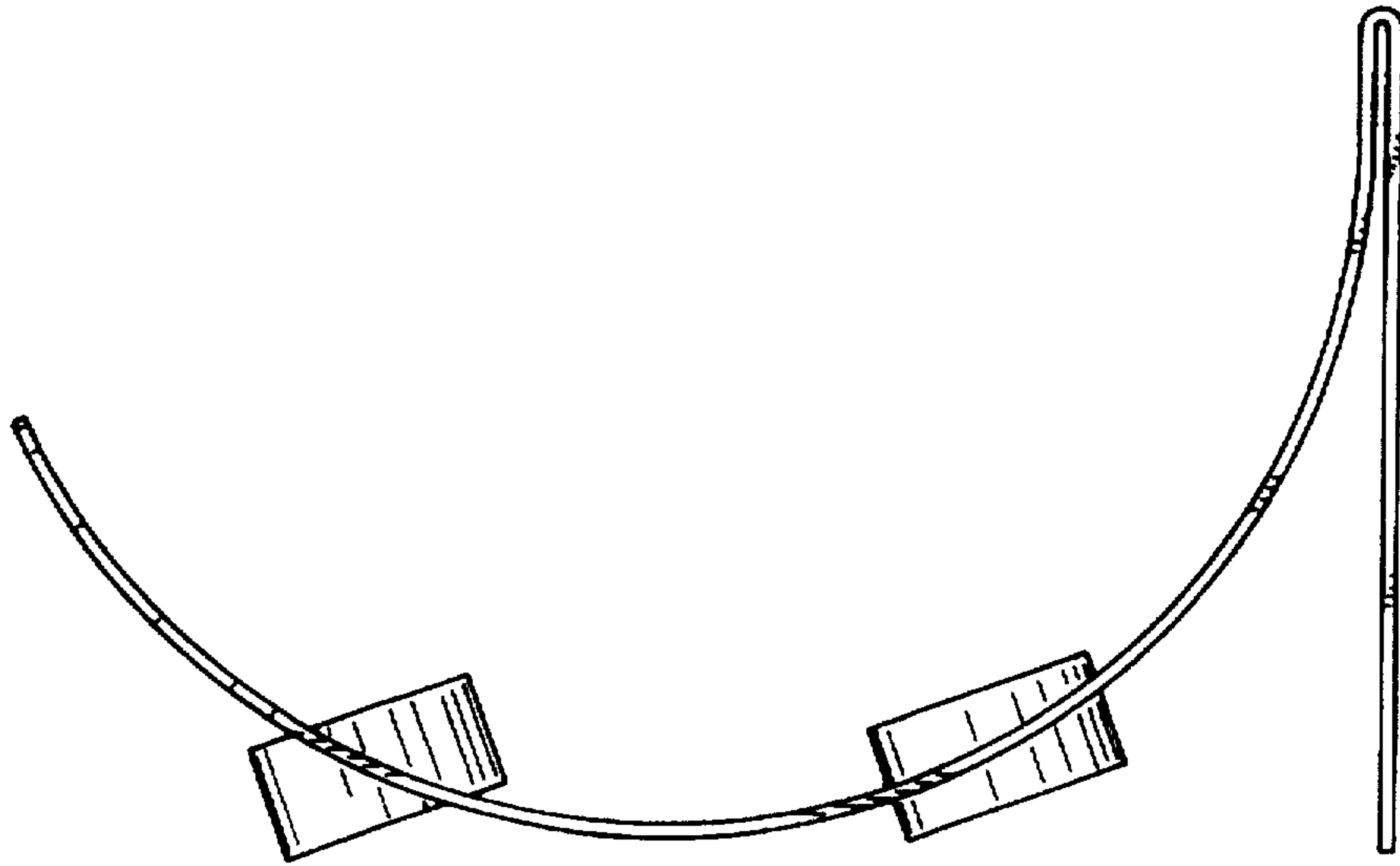


FIG. 2

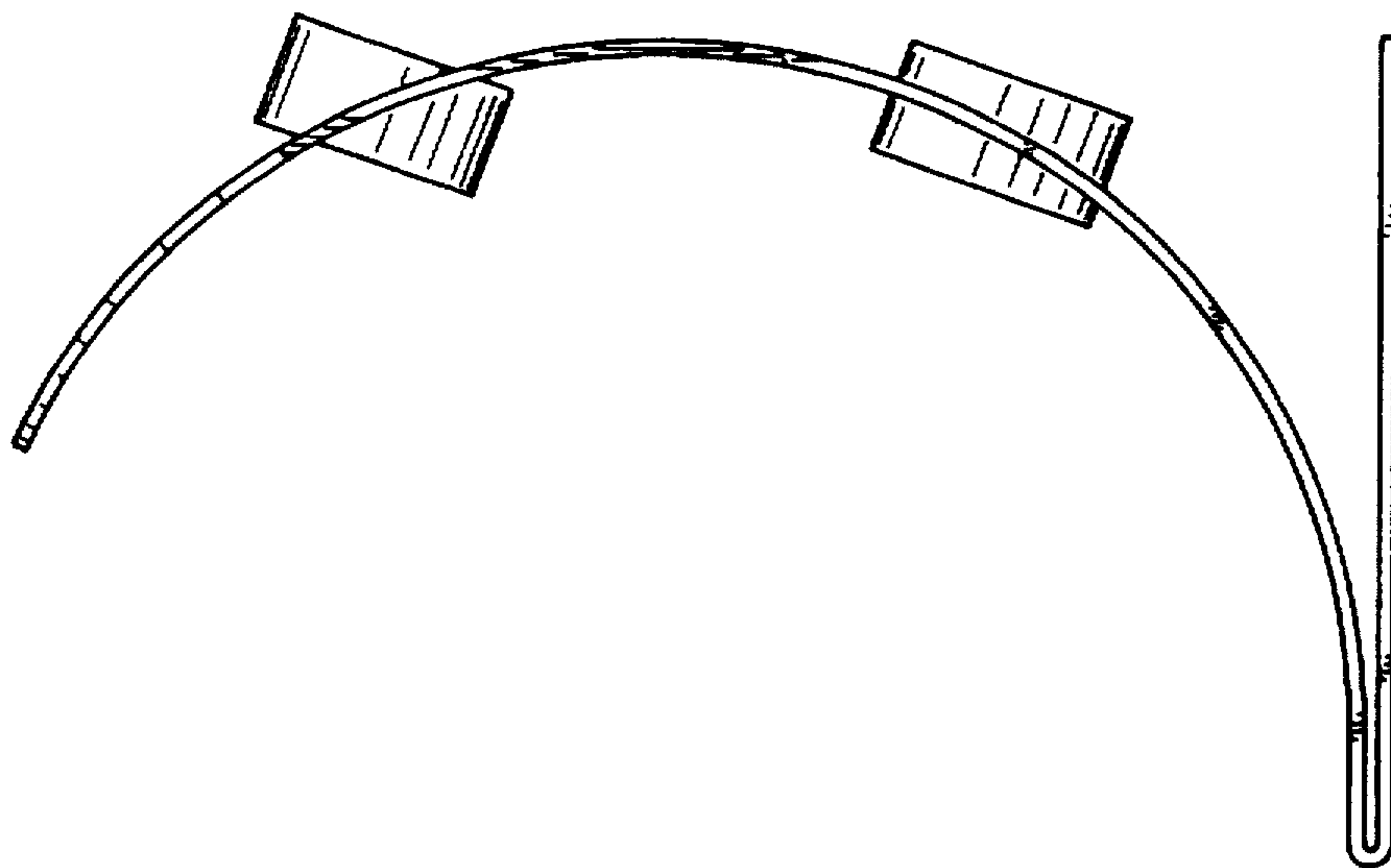


FIG. 3

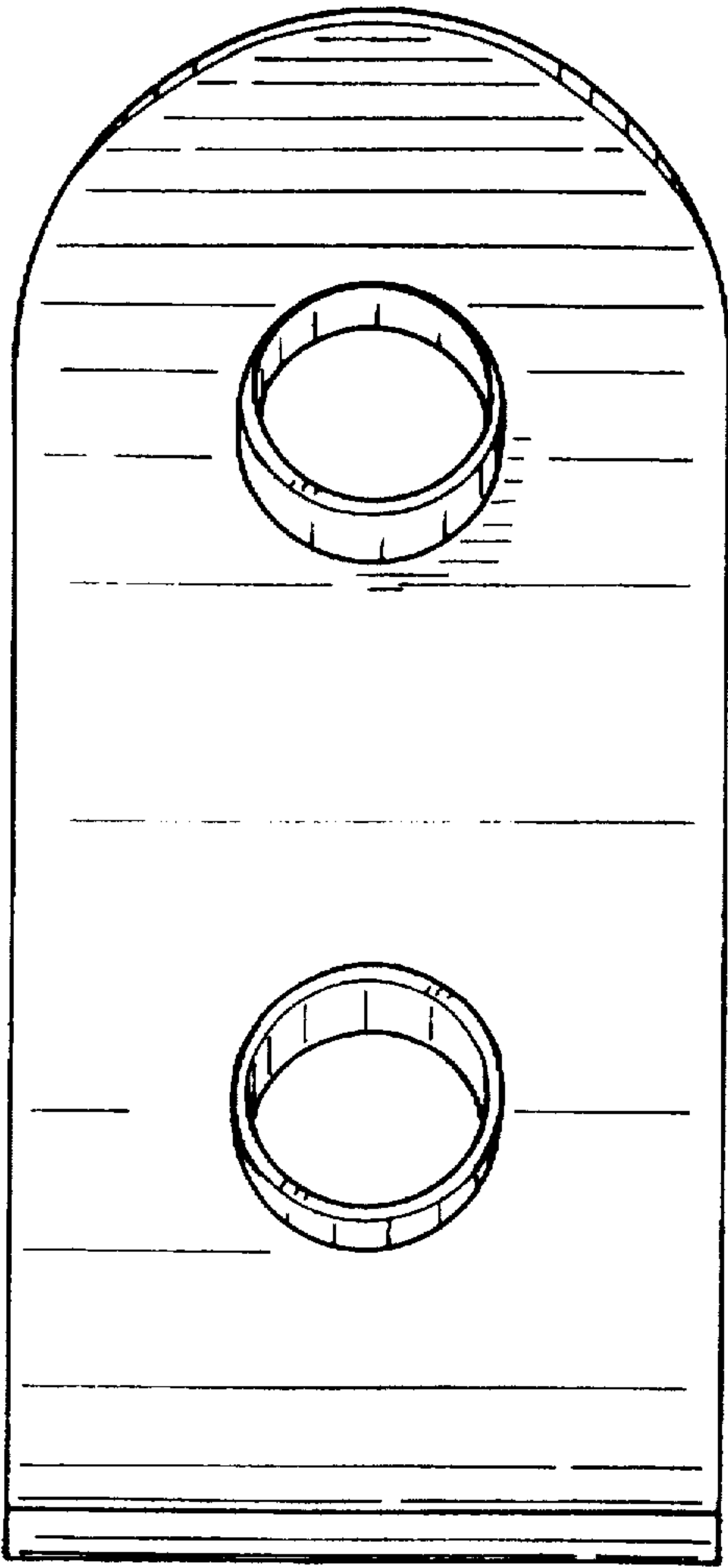


FIG. 4

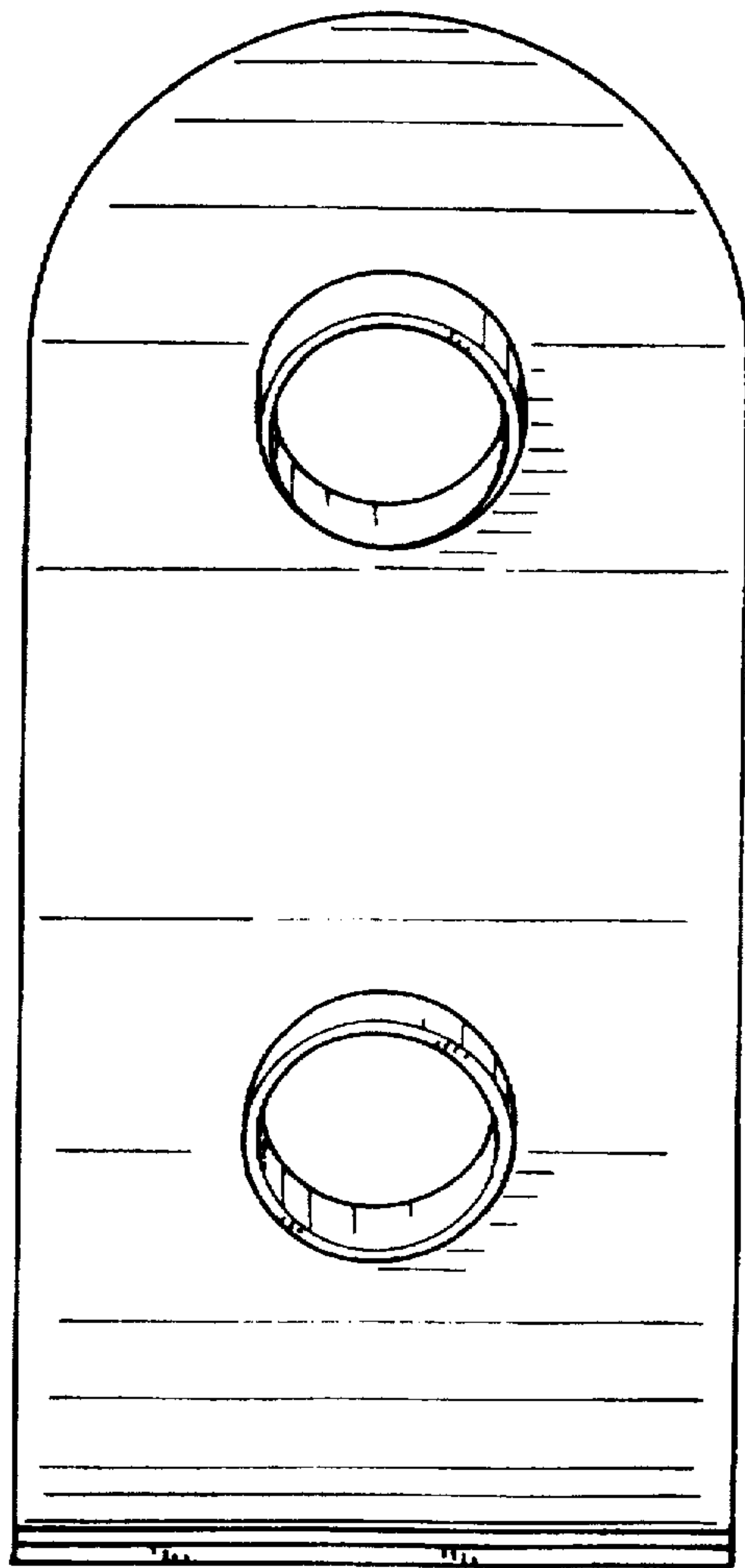


FIG. 5

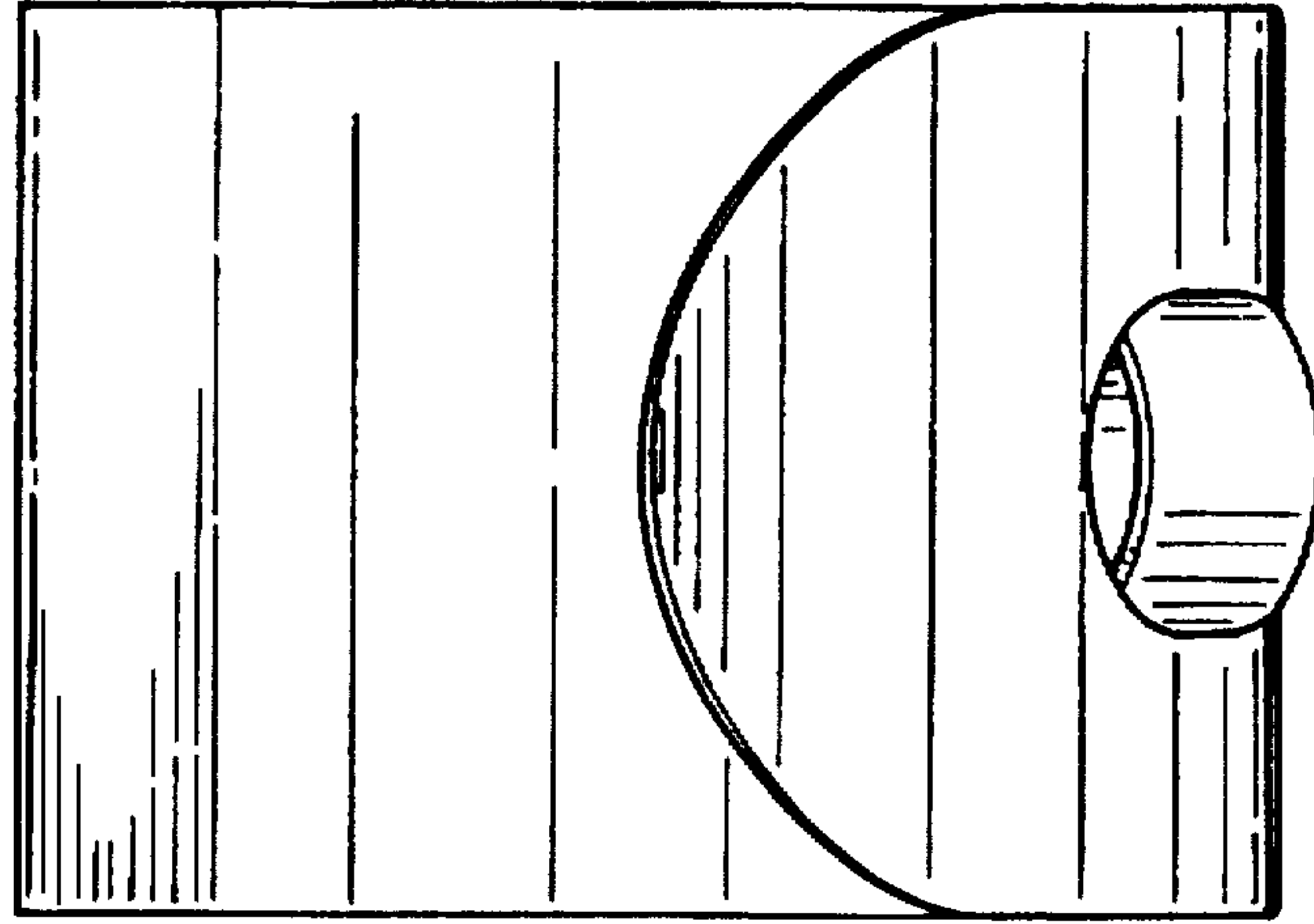


FIG. 6

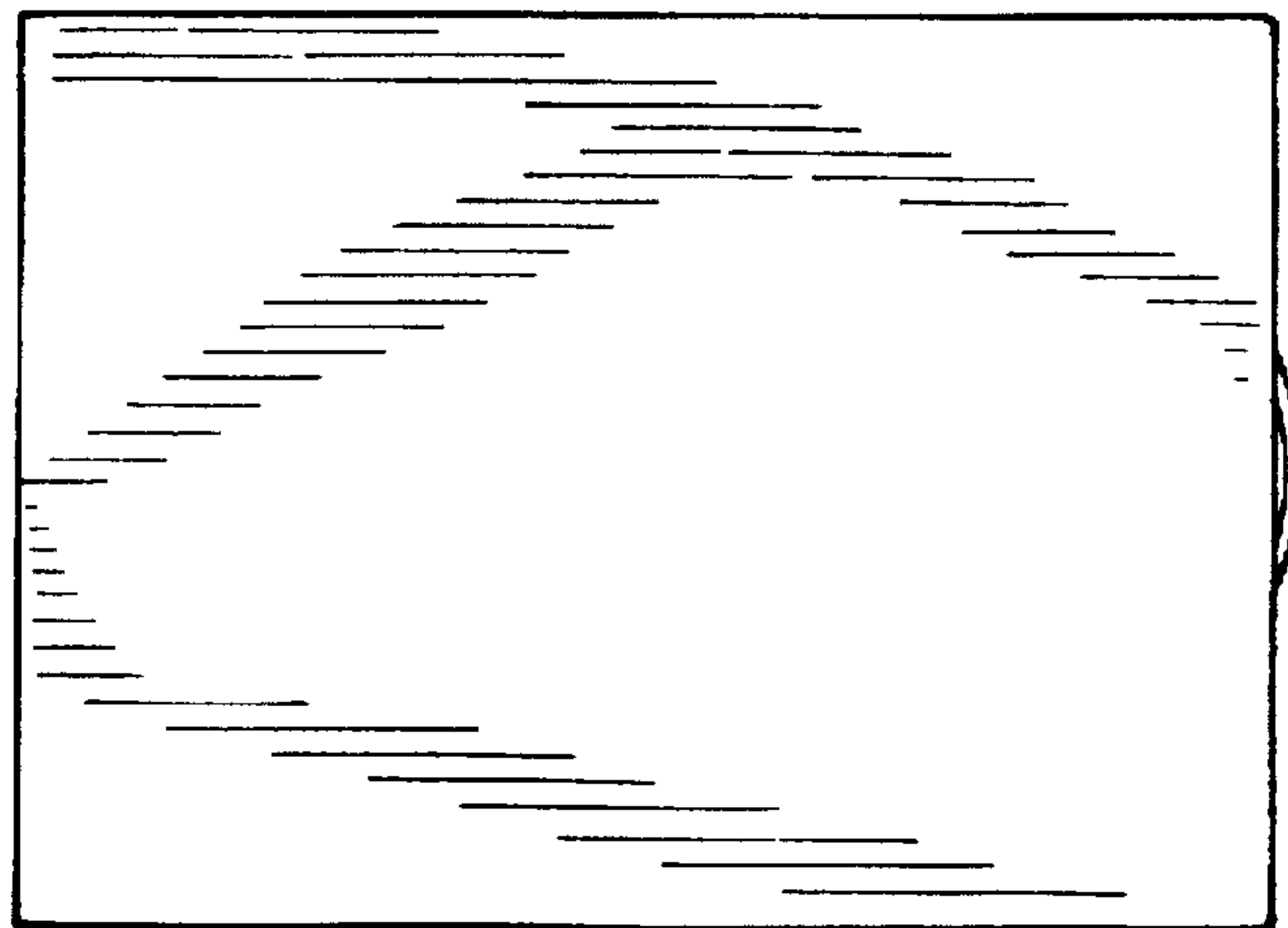


FIG. 7