



US00D396780S

United States Patent [19]

Villarreal, Jr. et al.

[11] Patent Number: Des. 396,780

[45] Date of Patent: **Aug. 11, 1998

[54] BEVERAGE HOLDER WITH COMPARTMENTS

[76] Inventors: Jose Antonio Villarreal, Jr.; Carol Josephine Villarreal, both of 1606 Texas Oak Way, Cedar Park, Williamson County, Tex. 78613

[**] Term: 14 Years

[21] Appl. No.: 77,165

[22] Filed: Oct. 1, 1997

[51] LOC (6) Cl. 07-06

[52] U.S. Cl. D7/619; D7/608

[58] Field of Search D7/605, 608, 619-625; 62/457.1-457.5, 371, 529, 530; 211/71, 74; 215/386, 392-394; 220/411, 412, 737, 740, 902, 903, 906, 907; 248/346.11, 311.2

[56] References Cited

U.S. PATENT DOCUMENTS

D. 353,840	12/1994	Dietterich et al.	D7/620 X
4,802,602	2/1989	Evans et al.	D7/622 X
5,482,095	1/1996	De Chollet	220/737 X

Primary Examiner—Terry A. Wallace
Attorney, Agent, or Firm—Barry S. Newberger; Winstead Sechrest & Minick P.C.

[57] CLAIM

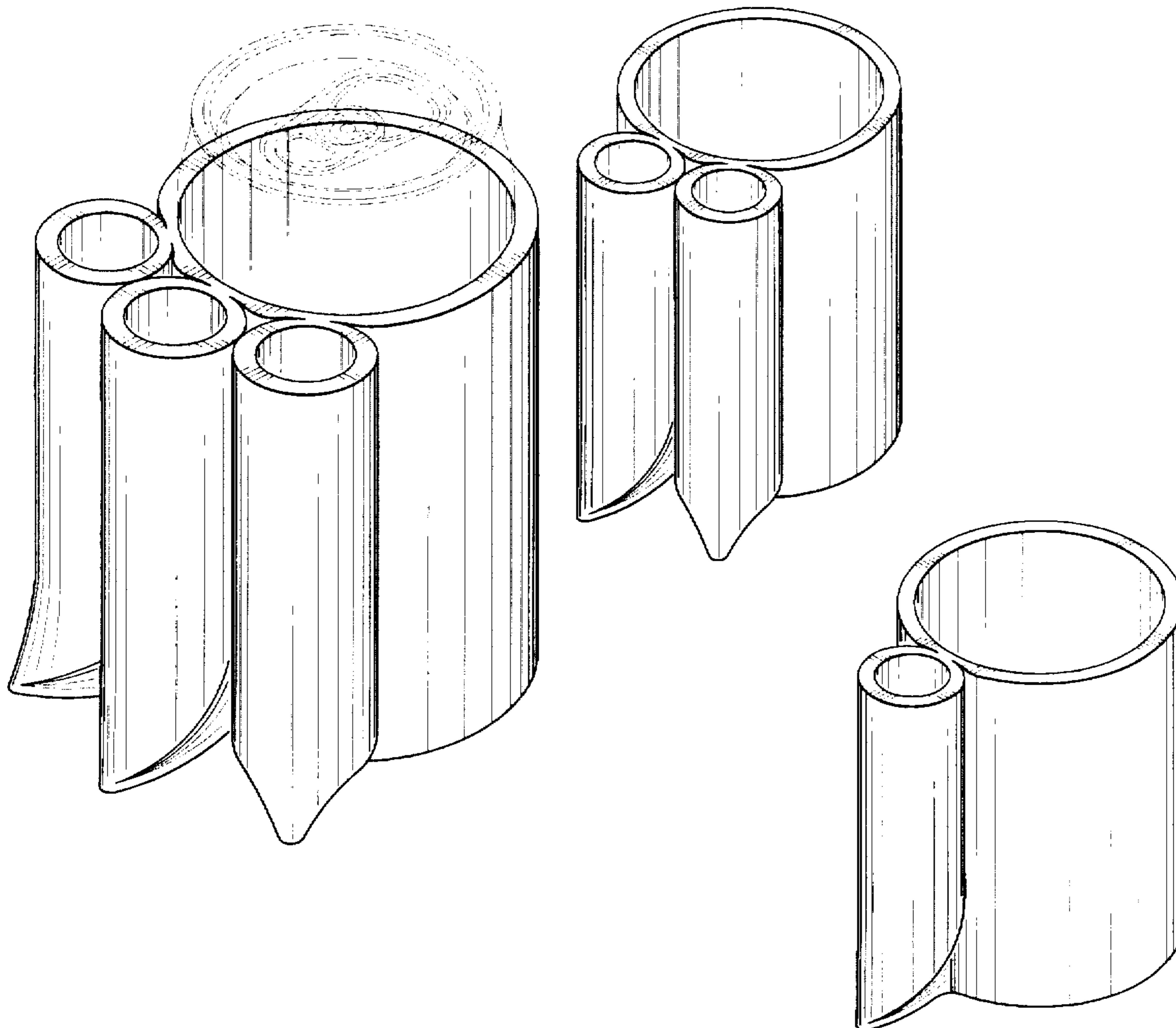
The ornamental design for a beverage holder with compartments, as shown and described.

DESCRIPTION

FIG. 1 is a perspective view of the beverage holder with compartments showing our new design;
 FIG. 2 is a front elevation view thereof;
 FIG. 3 is a right side elevation view thereof the opposite side being a mirror image;
 FIG. 4 is a rear elevation view thereof;
 FIG. 5 is a top plan view thereof;
 FIG. 6 is a bottom plan view thereof;
 FIG. 7 is a perspective view of an alternate embodiment of FIG. 1, the difference being the holder having two compartments; and,
 FIG. 8 is a perspective view of an alternate embodiment of FIG. 1, the difference being the holder having one compartment.

The can is shown in broken lines for illustrative purposes only and forms no part of the claimed design.

1 Claim, 4 Drawing Sheets



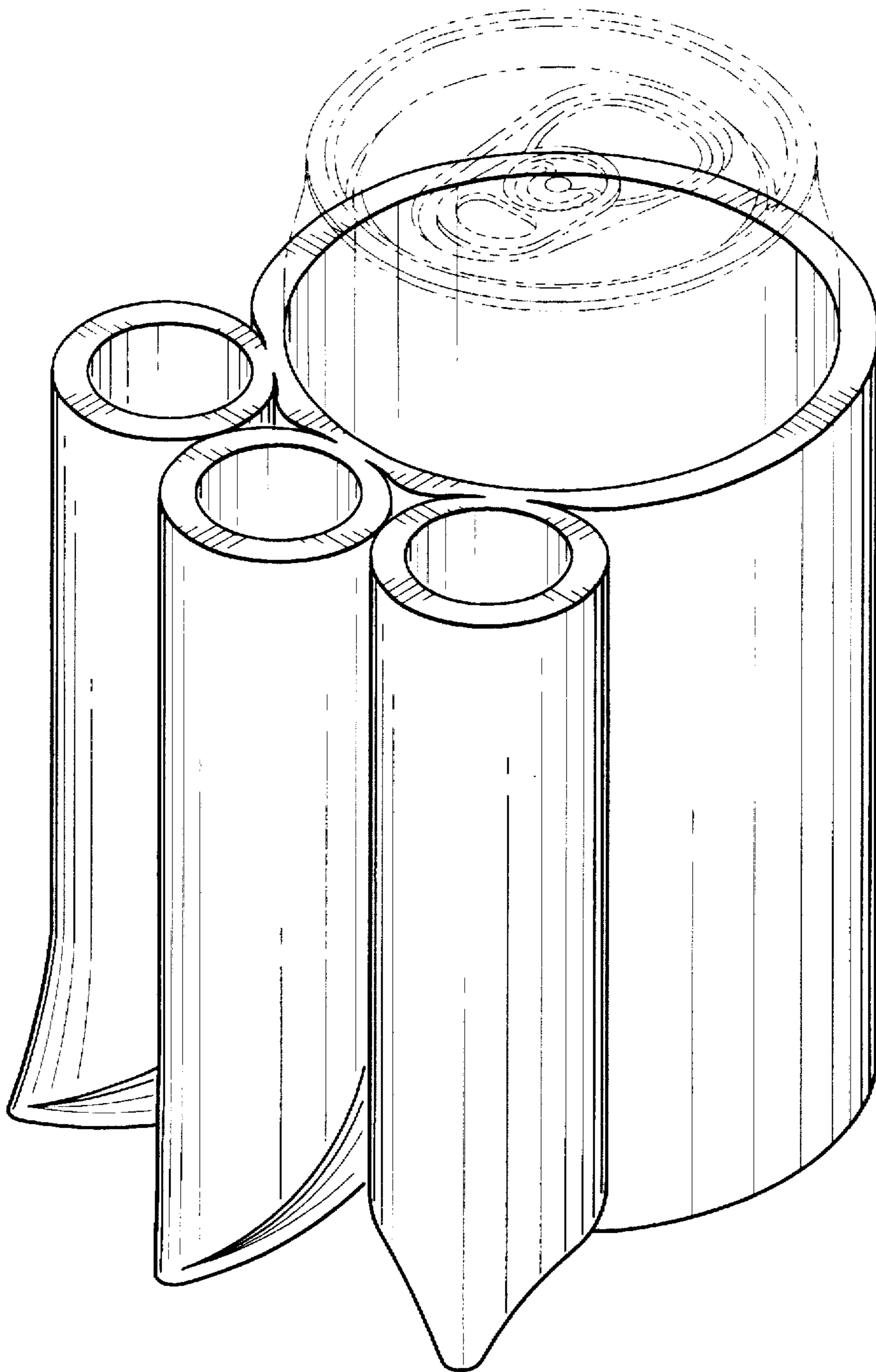


FIG. 1

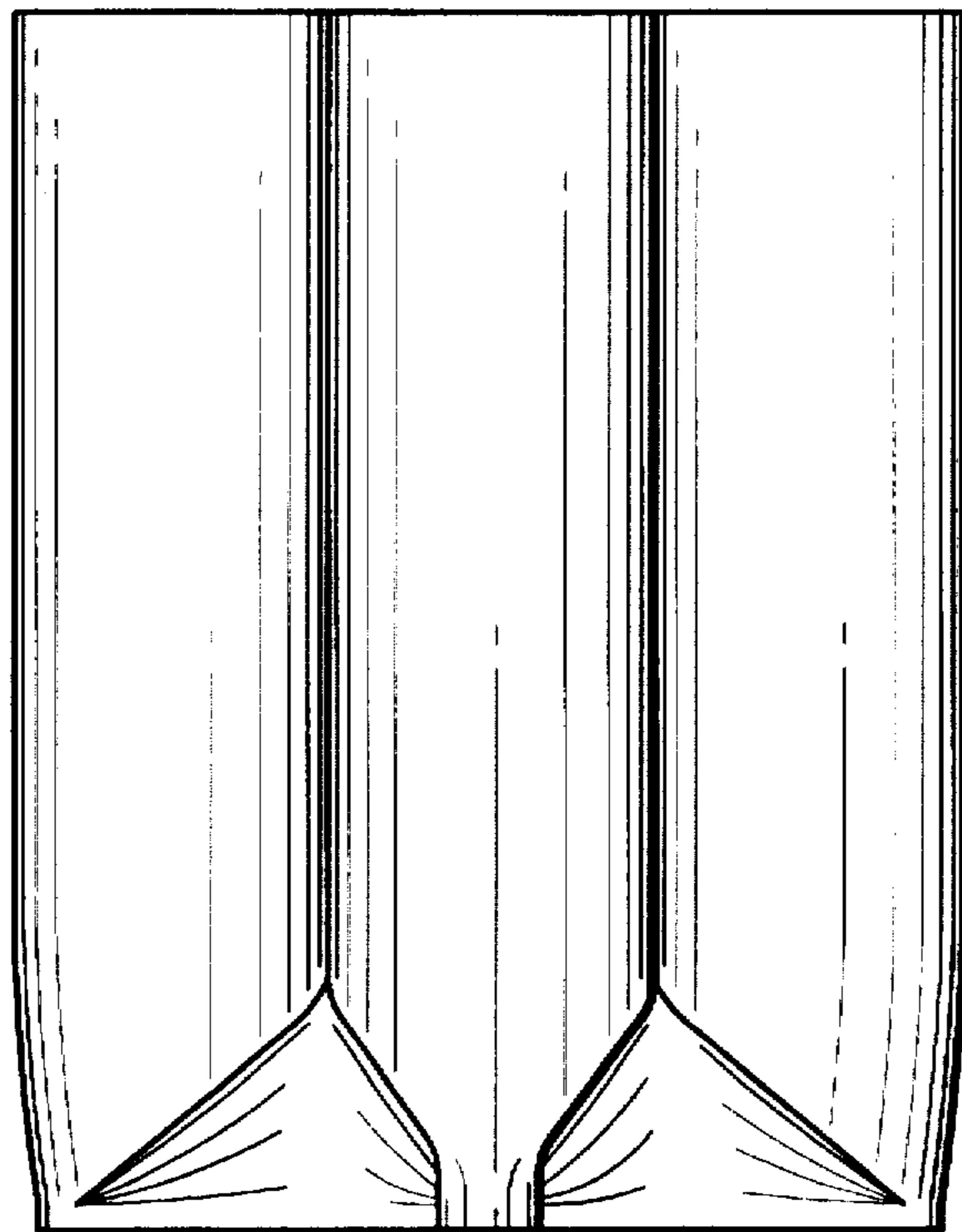


FIG. 2

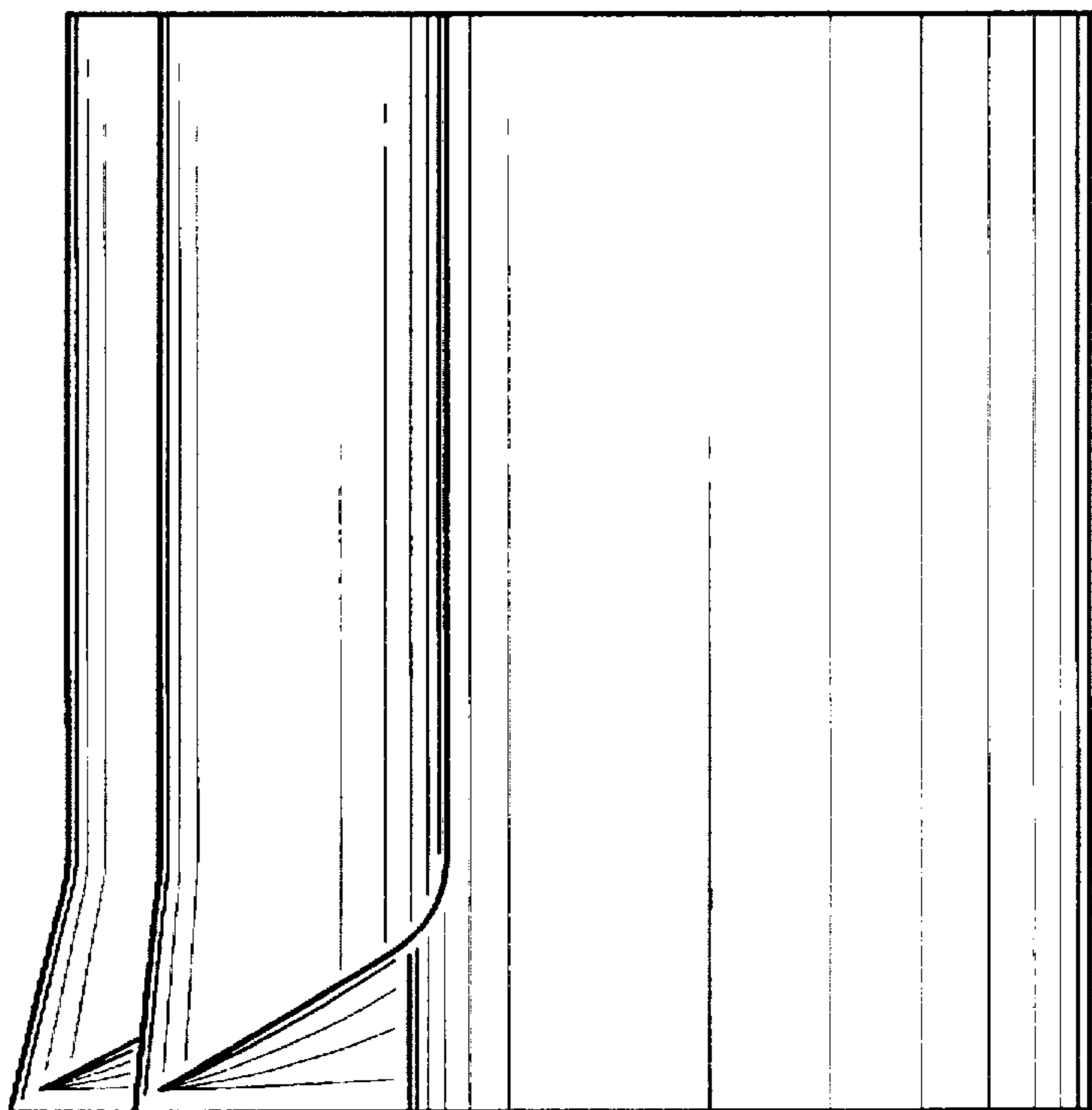


FIG. 3

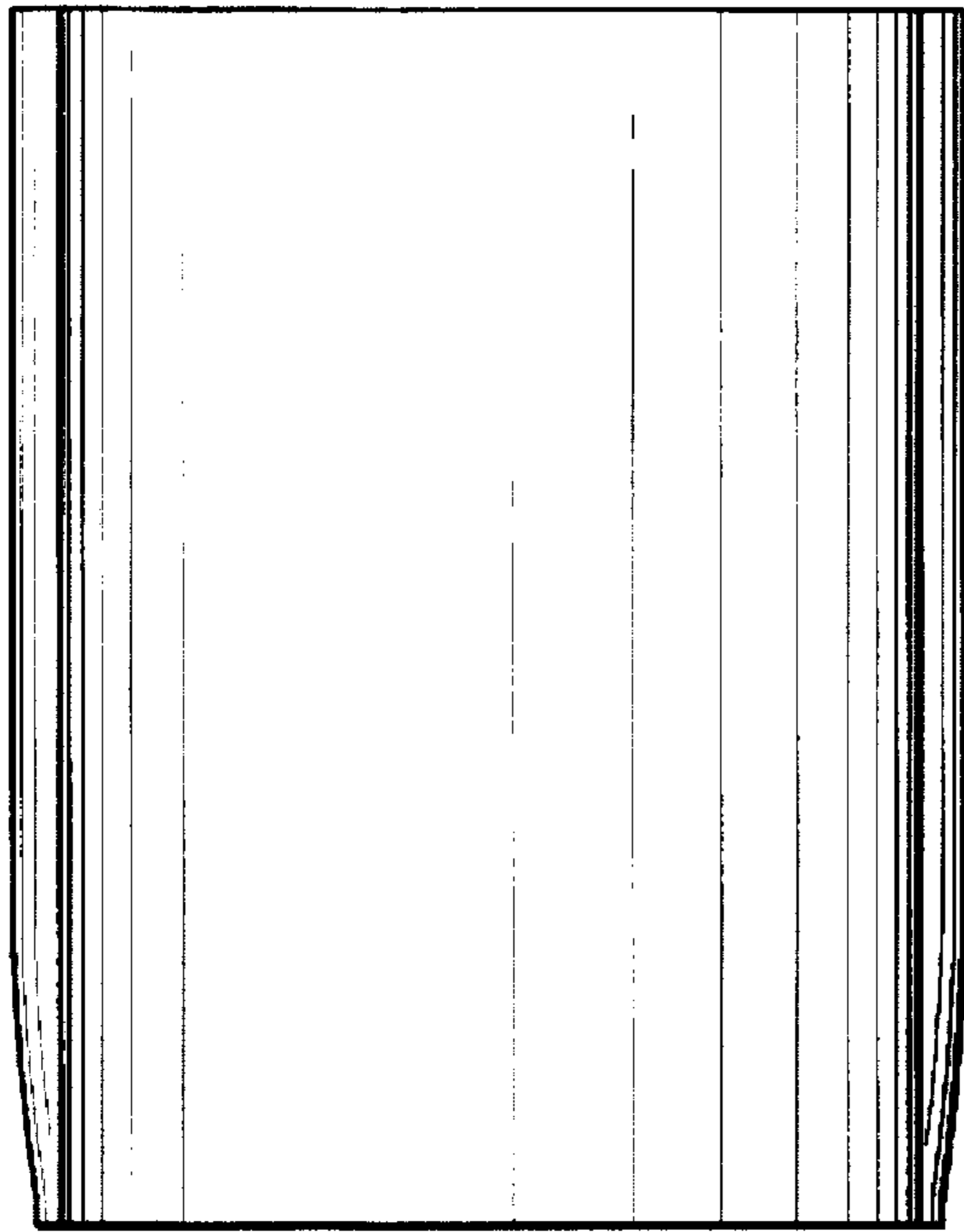


FIG. 4

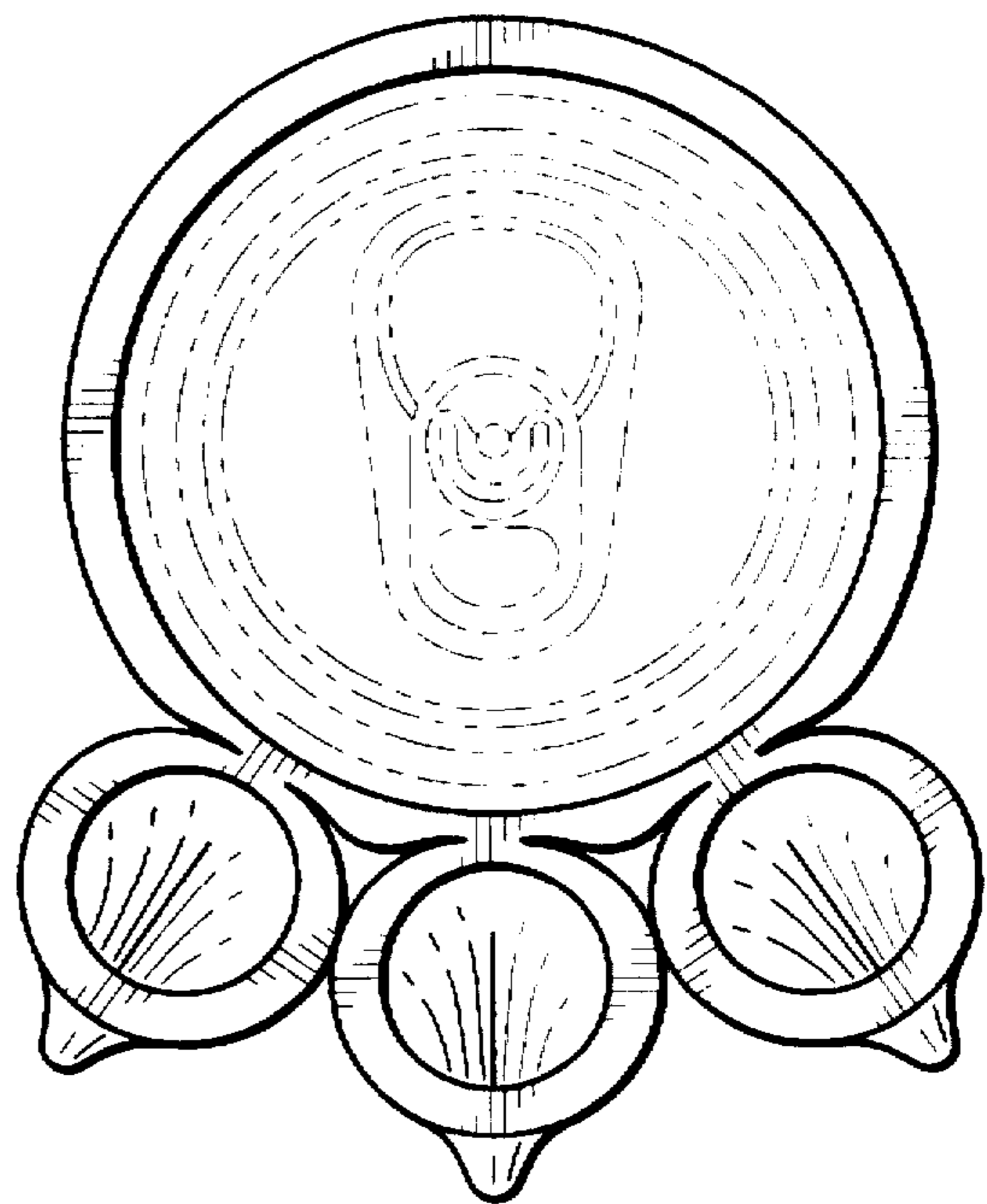


FIG. 5

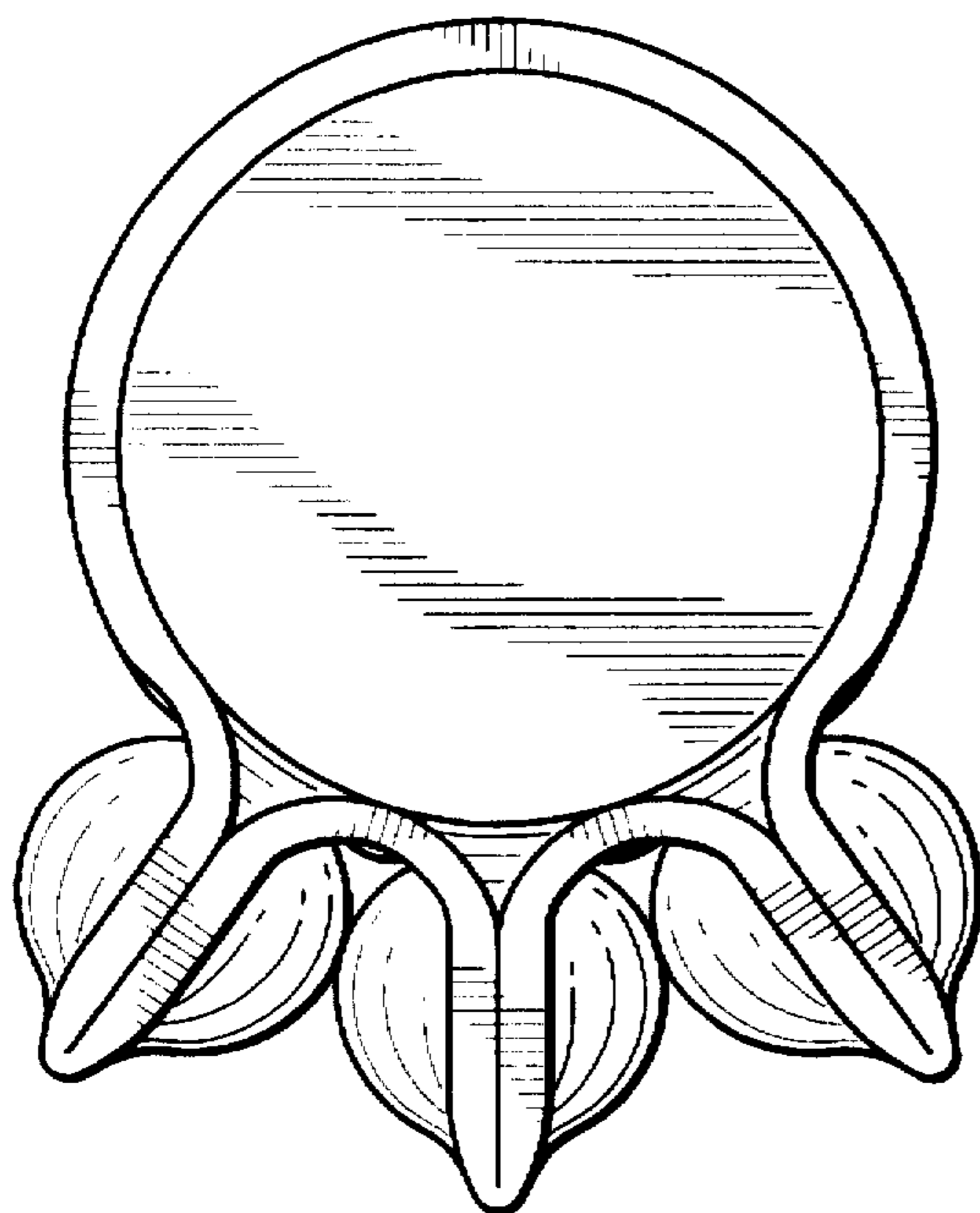


FIG. 6

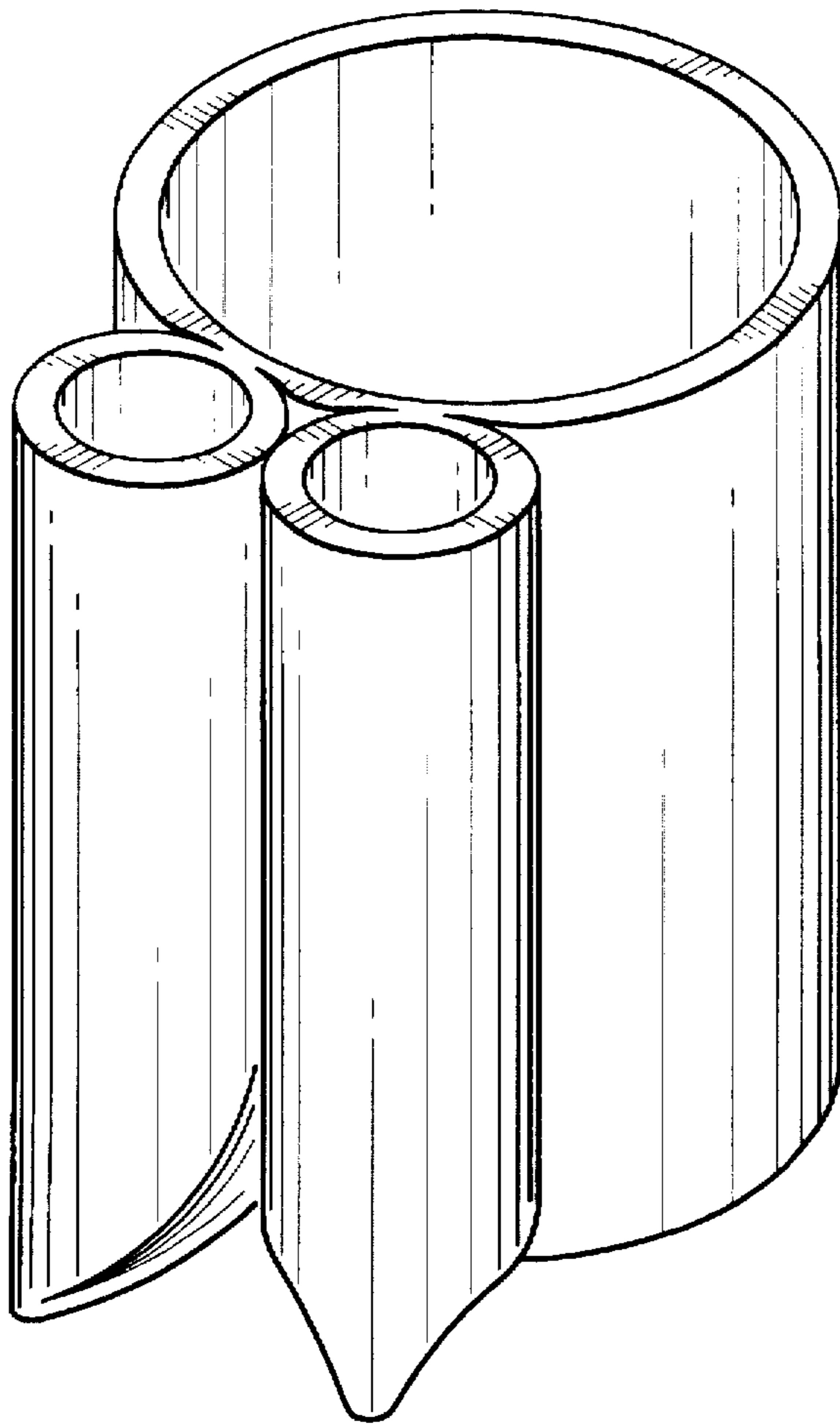


FIG. 7

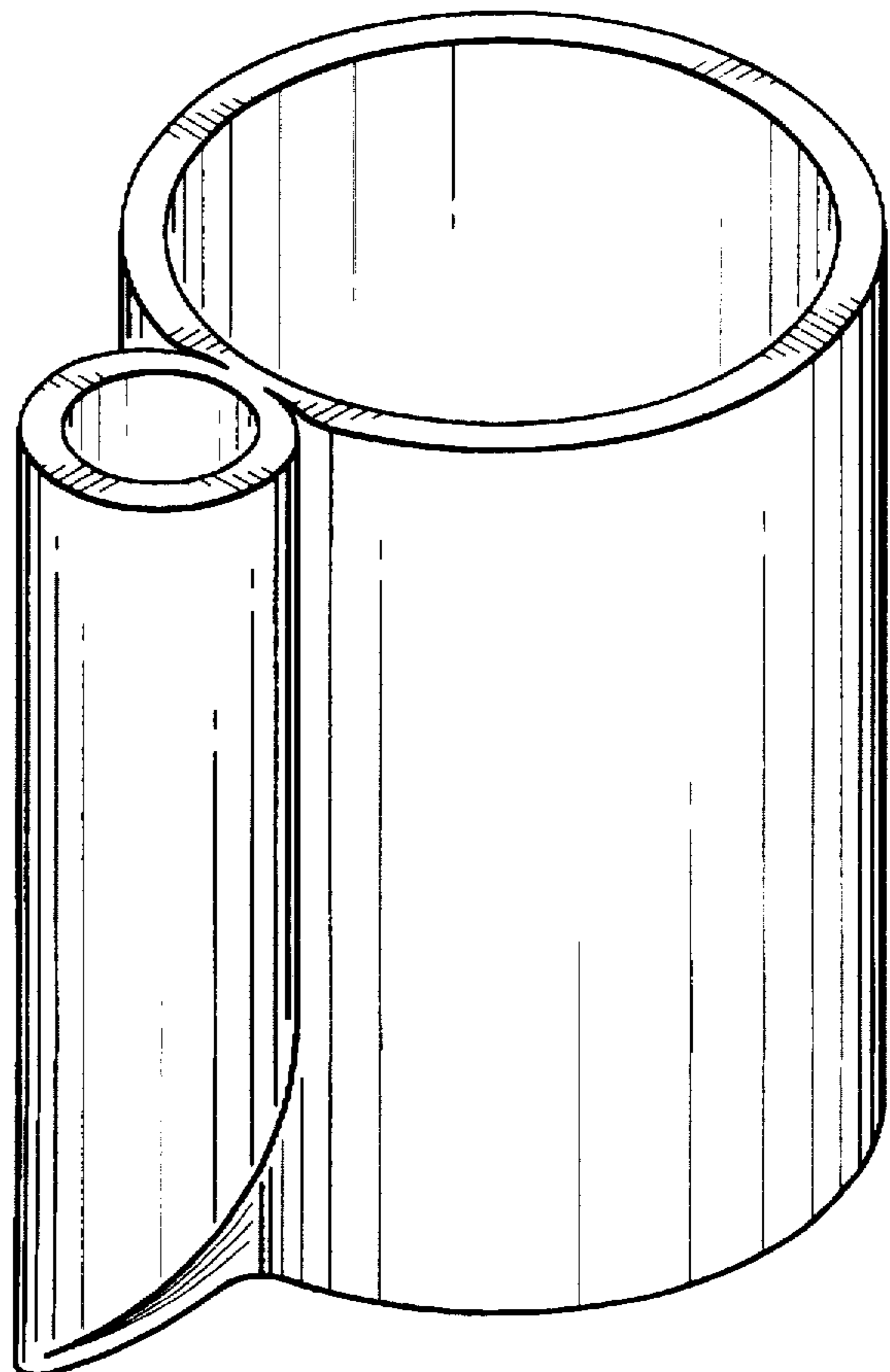


FIG. 8