



US00D396779S

United States Patent [19]

Moffett, III et al.

[11] Patent Number: **Des. 396,779**

[45] Date of Patent: ****Aug. 11, 1998**

[54] **ROLLER COOLER**

[75] Inventors: **Noah Moffett, III**, 1250 Dundale Ave., Norfolk, Va. 23513; **Andrew Moore**, Chesapeake, Va.

[73] Assignee: **Noah Moffett, III**, Norfolk, Va.

[**] Term: **14 Years**

[21] Appl. No.: **61,724**

[22] Filed: **Oct. 29, 1996**

[51] LOC (6) Cl. **07-06**

[52] U.S. Cl. **D7/605**

[58] Field of Search D7/605-608; D15/79. D15/81, 83; D34/12, 24, 19, 25; 62/457.1, 457.7, 371; 220/410-412; 280/43.1, 43.24, 651, 652, 645

[56] References Cited

U.S. PATENT DOCUMENTS

- D. 340,620 10/1993 Peters D7/605
- D. 355,099 2/1995 Dell D7/605
- 3,591,194 7/1971 Vega 62/457.7 X

- 4,846,493 7/1989 Mason 280/43.1 X
- 5,249,438 10/1993 Rhaney et al. 62/457.1
- 5,259,215 11/1993 Rocca 62/371

OTHER PUBLICATIONS

Montgomery Ward, p. 7, Coleman Cooler Q, 1983.

Primary Examiner—Terry A. Wallace

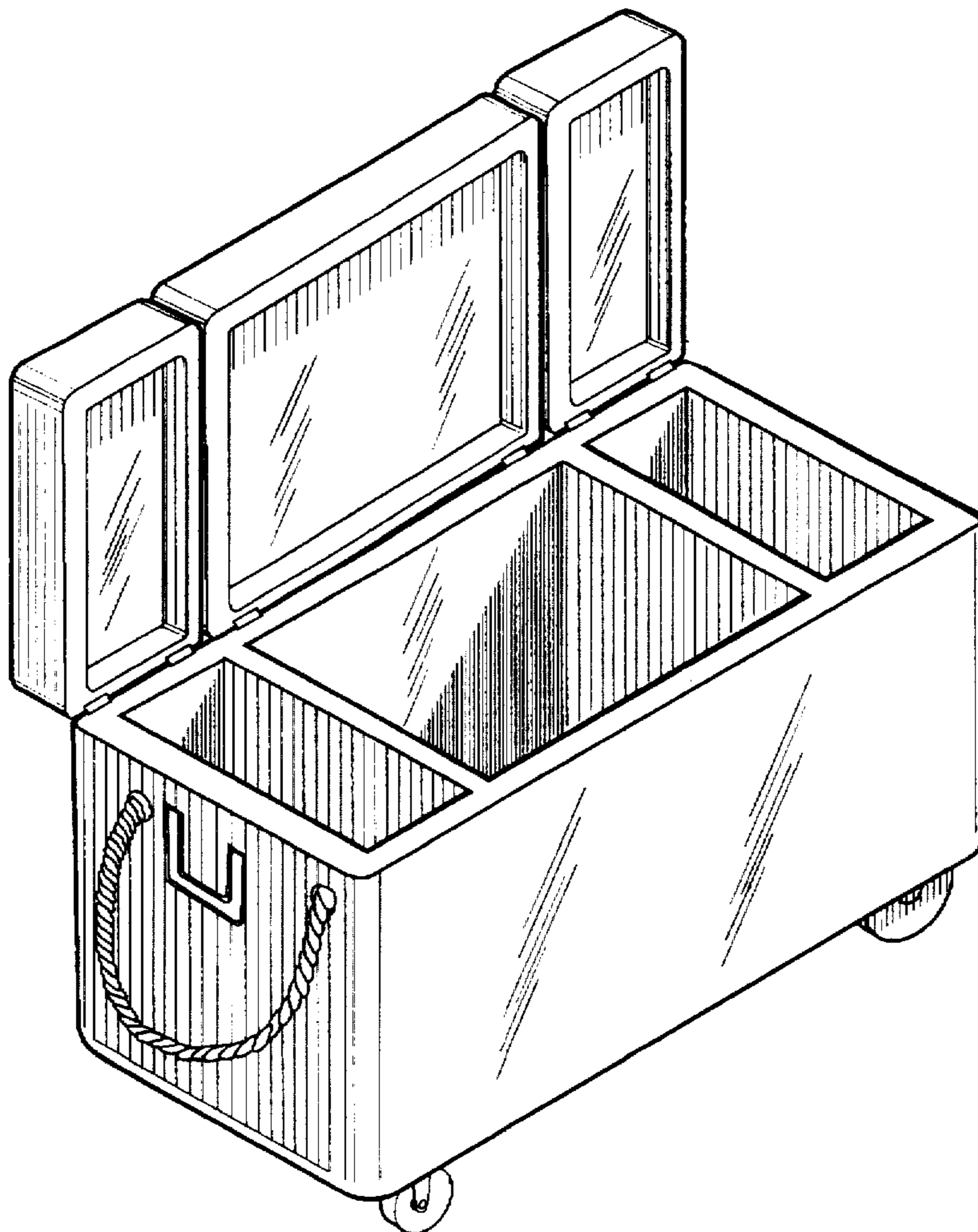
[57] CLAIM

The ornamental design for a roller cooler, as shown and described.

DESCRIPTION

FIG. 1 is a front, left side perspective view of a roller cooler showing our new design;
 FIG. 2 is a left side elevation view thereof with the lid in a closed position;
 FIG. 3 is a right side elevation view of FIG. 2;
 FIG. 4 is a front elevation view of FIG. 2;
 FIG. 5 is a rear elevation view of FIG. 2;
 FIG. 6 is a top plan view of FIG. 2; and,
 FIG. 7 is a bottom plan view of FIG. 2.

1 Claim, 3 Drawing Sheets



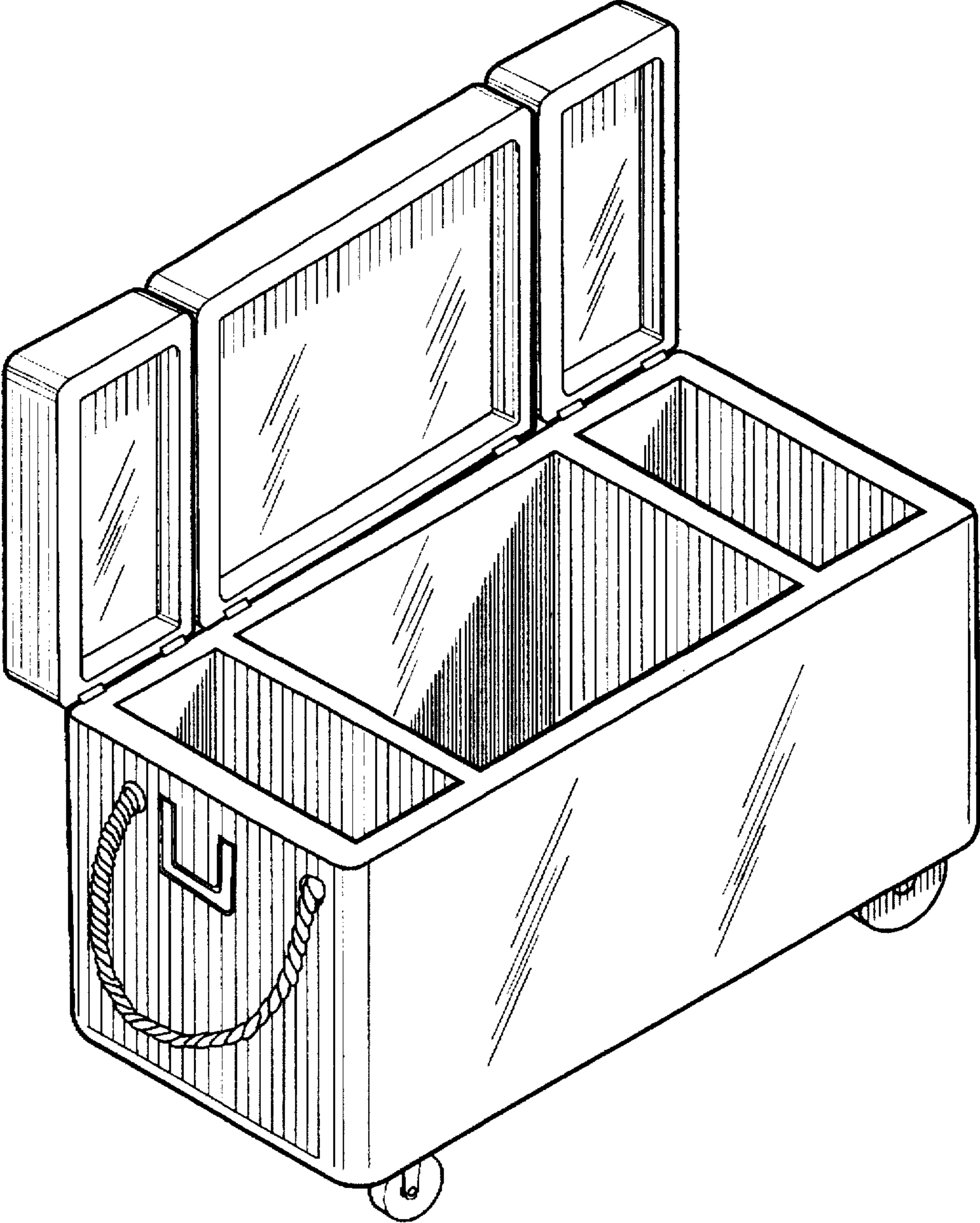


FIG. 1

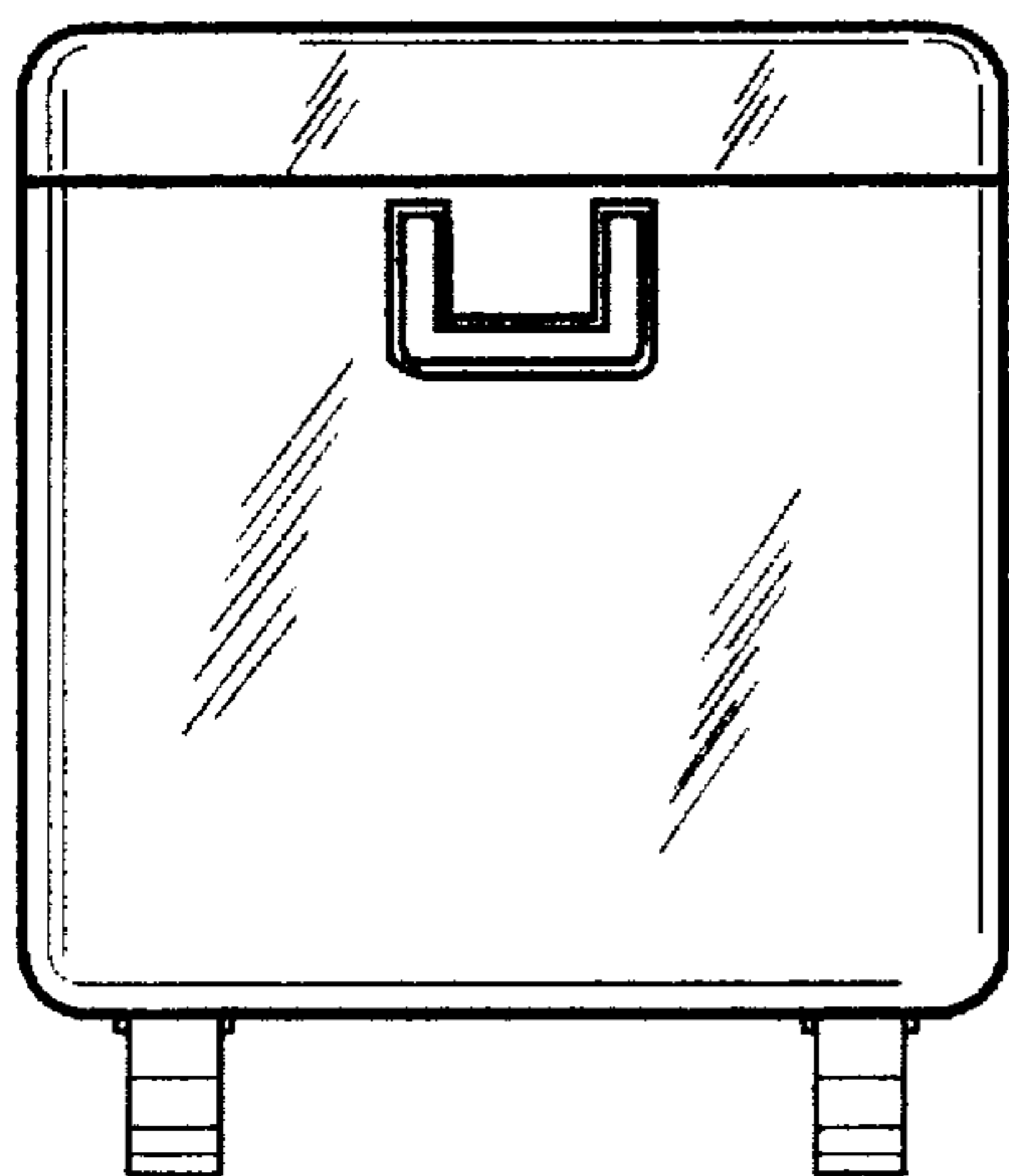


FIG. 2

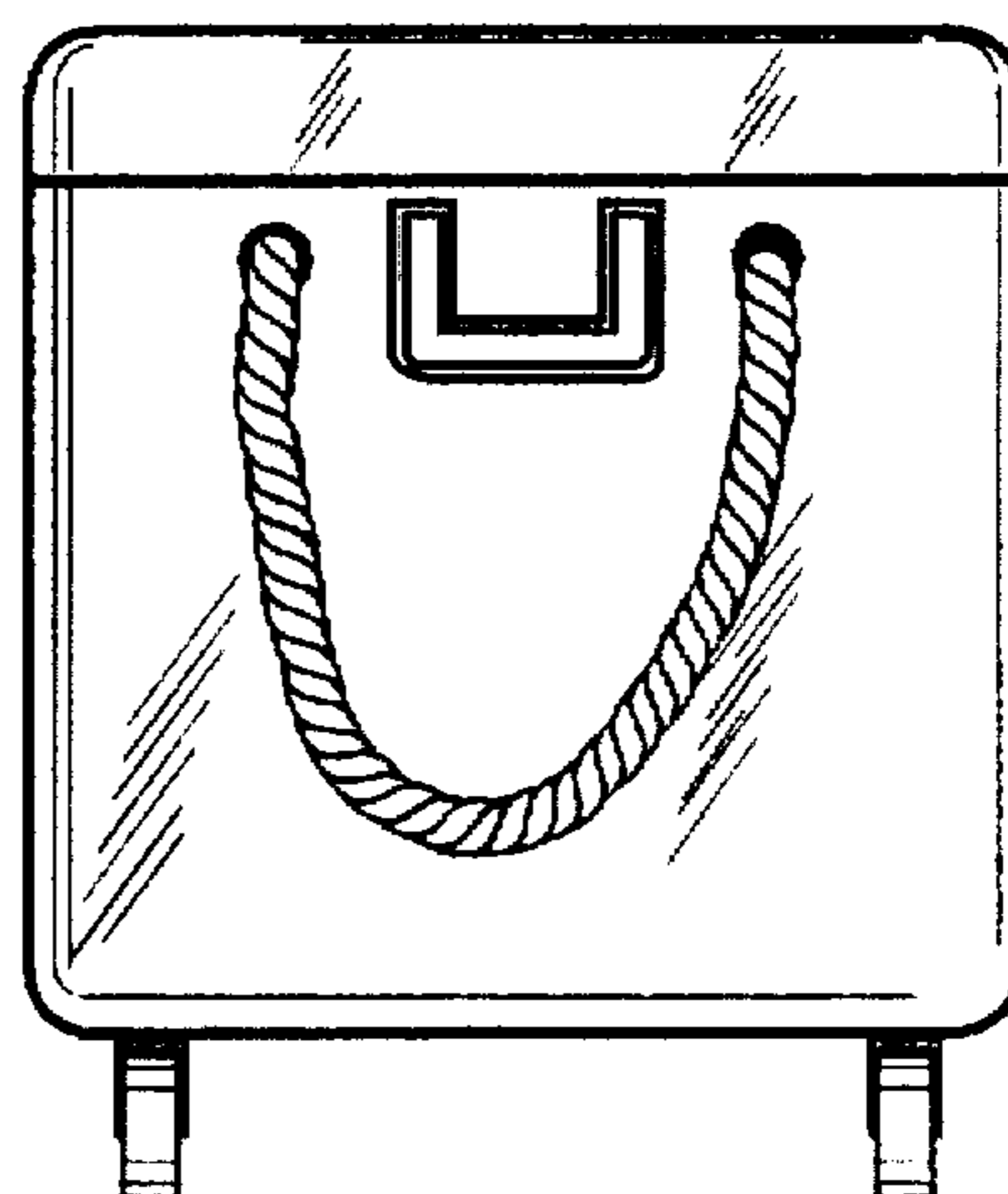


FIG. 3

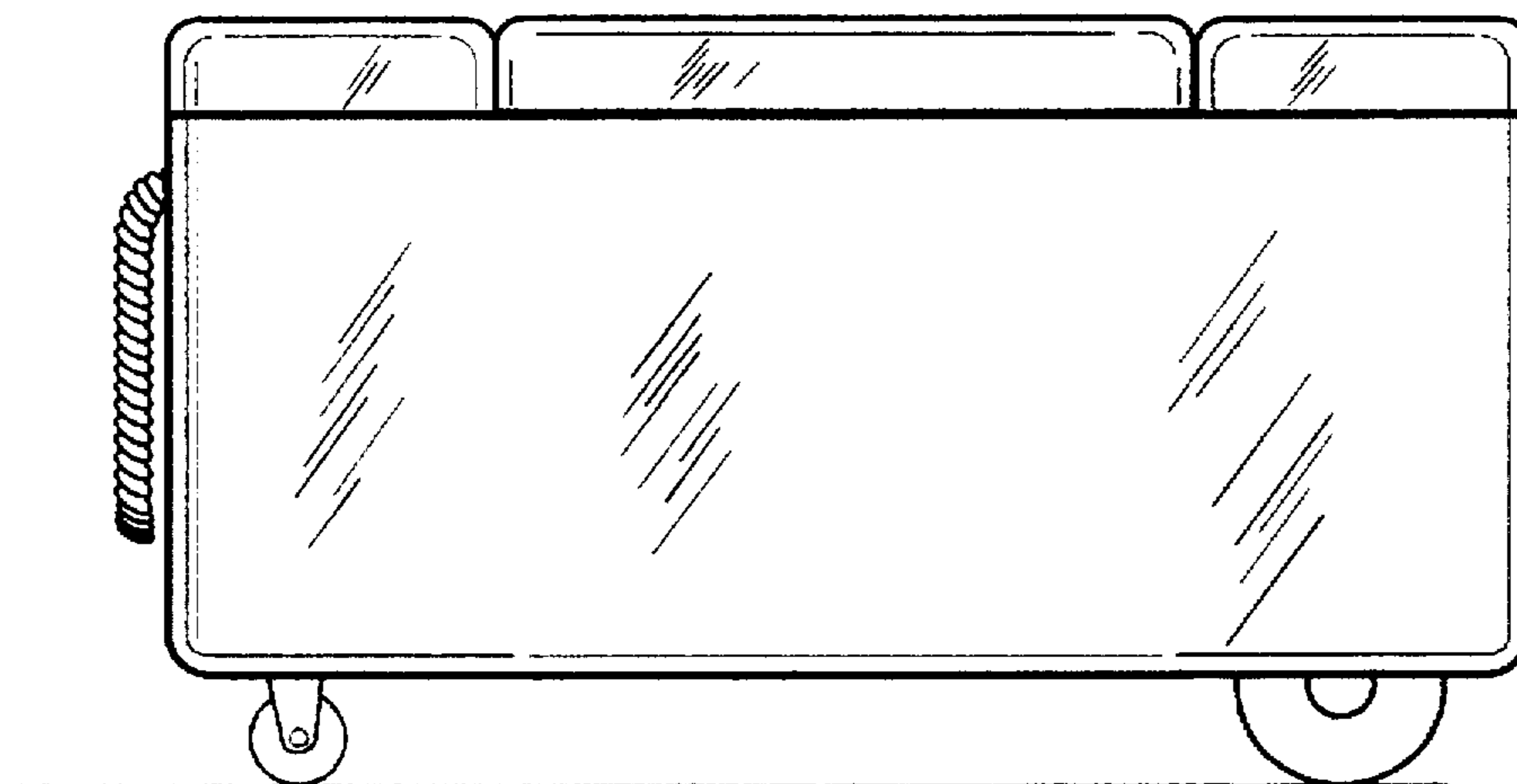


FIG. 4

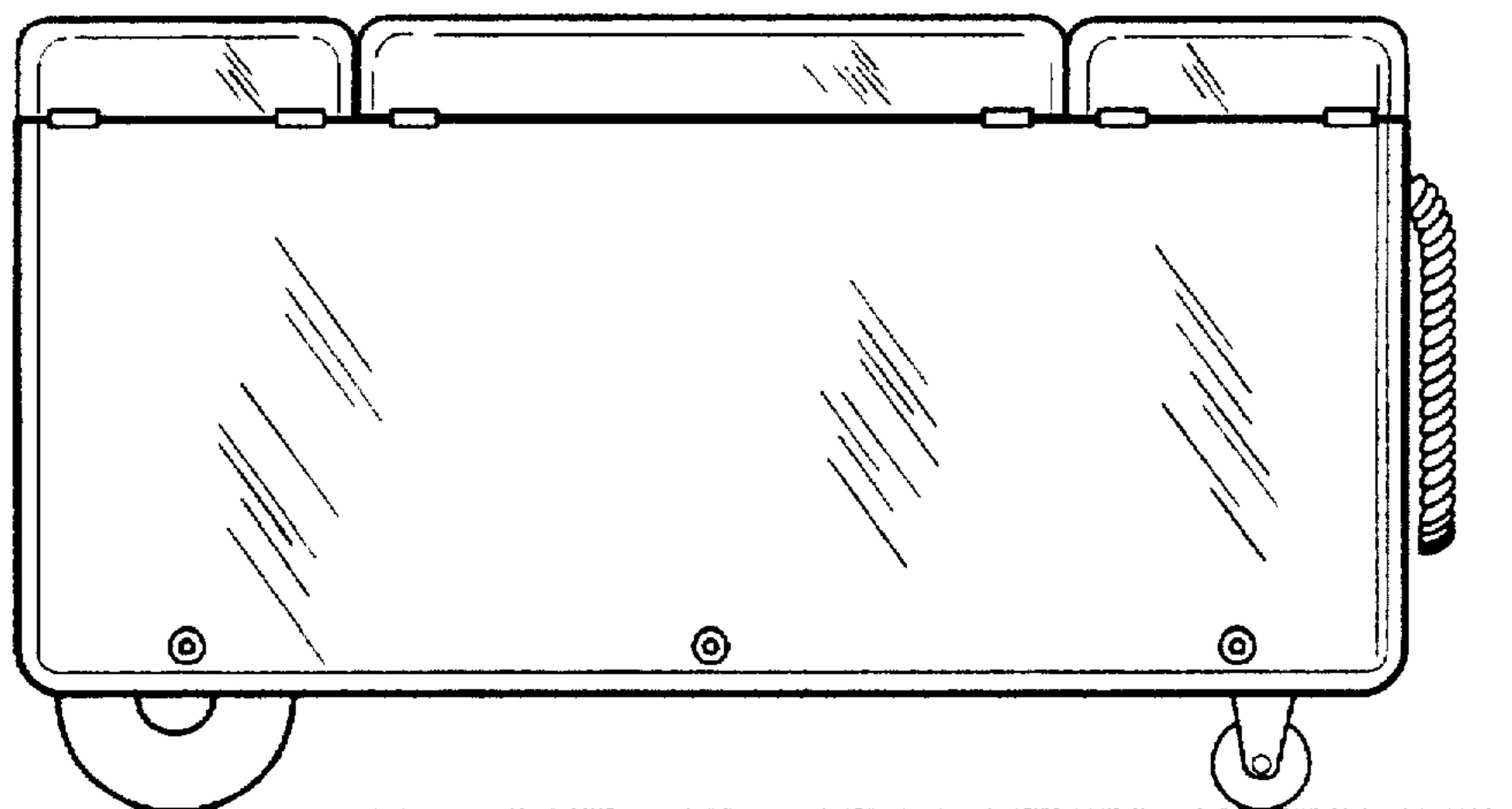


FIG. 5

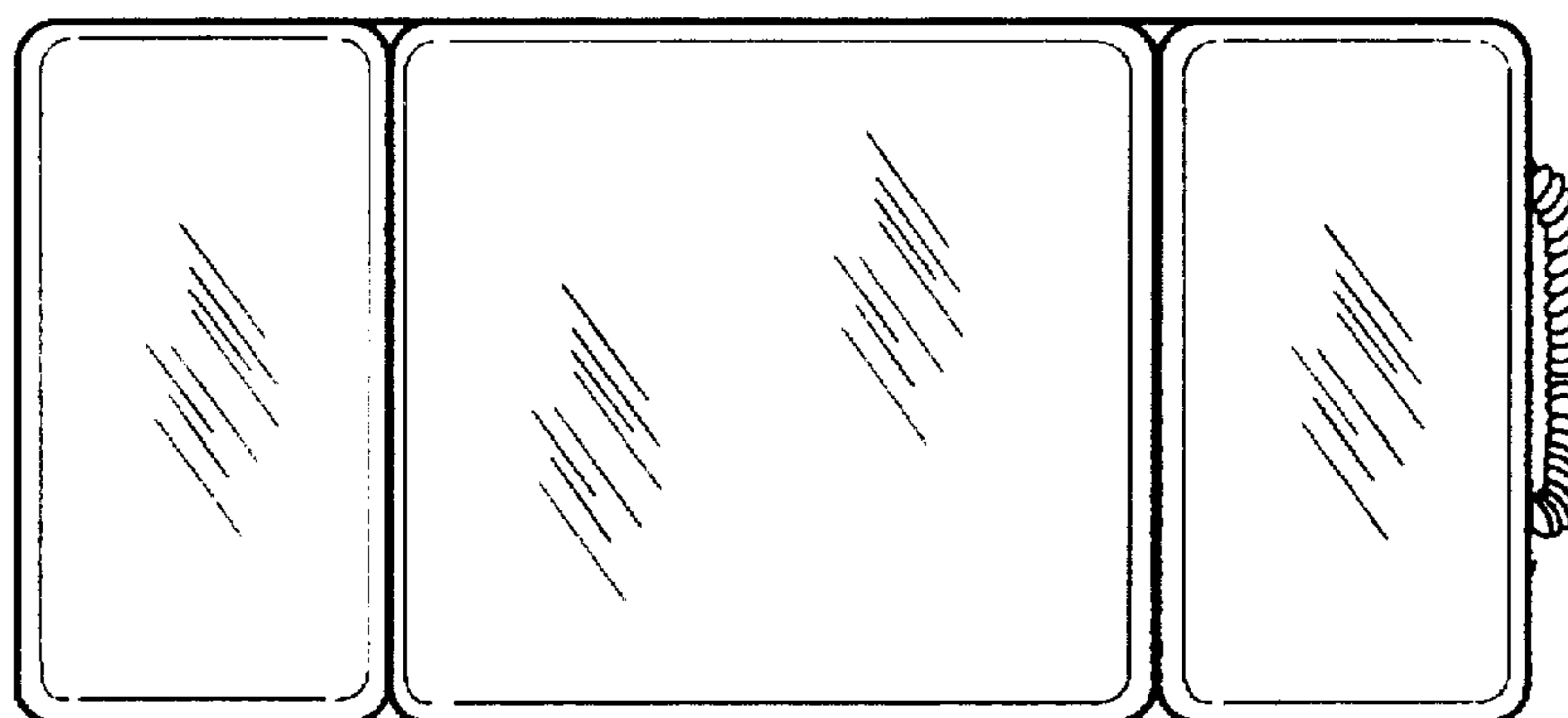


FIG. 6

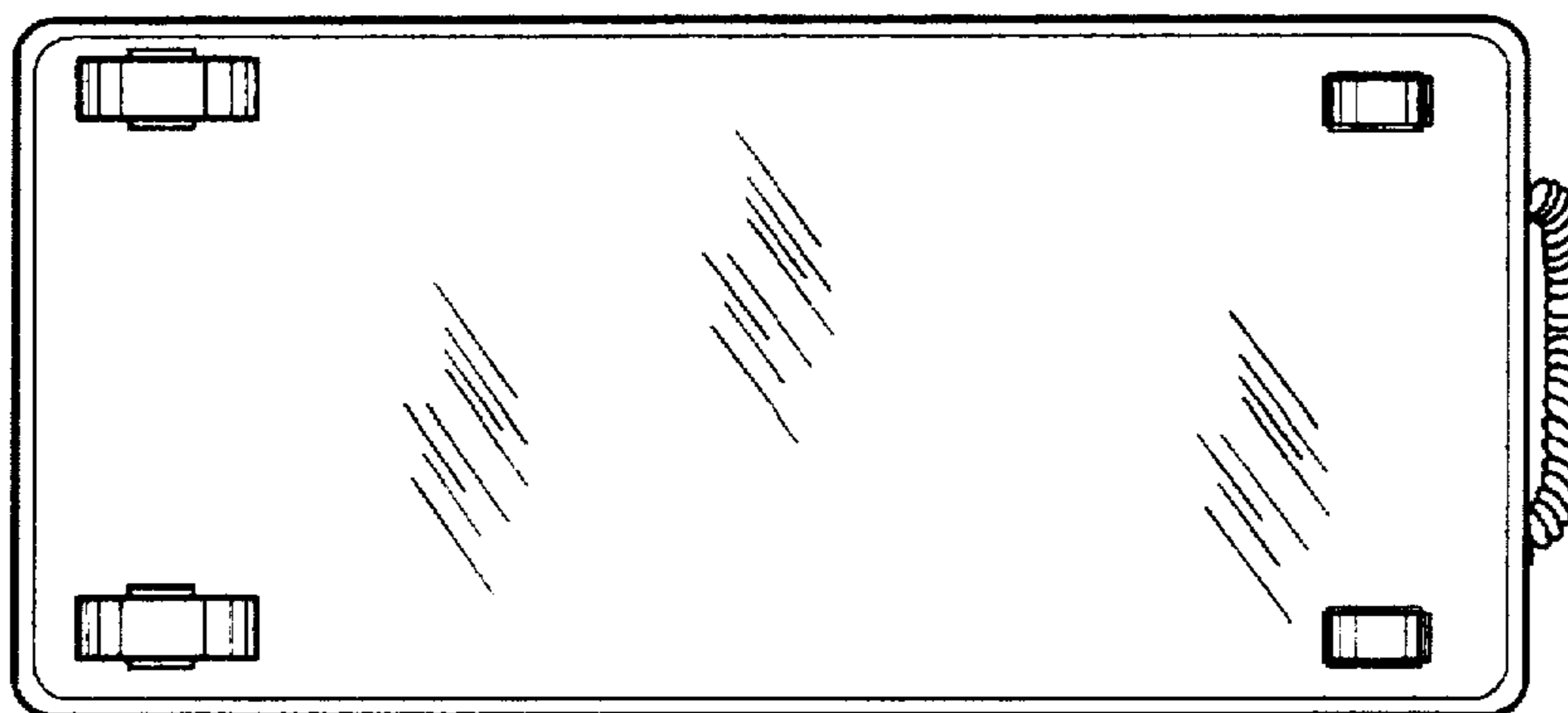


FIG. 7