

US00D396777S

United States Patent [19]

Inoue

[11] Patent Number: **Des. 396,777**

[45] Date of Patent: ****Aug. 11, 1998**

[54] **COVERED BEVERAGE MUG**

[75] Inventor: **Yoshimichi Inoue**, Osaka, Japan

[73] Assignee: **Zojirushi America Corporaiton**,
Commerce, Calif.

[**] Term: **14 Years**

[21] Appl. No.: **66,905**

[22] Filed: **Feb. 24, 1997**

[51] LOC (6) Cl. **07-01**

[52] U.S. Cl. **D7/511; D7/510; D7/536**

[58] Field of Search **D7/505, 507, 509,**
D7/510, 511, 515, 533, 536, 523, 300.1;
220/703, 705, 717, 709, 713, 737, 739,
625

[56] **References Cited**

U.S. PATENT DOCUMENTS

D. 214,458	6/1969	Riley	D7/510 X
D. 325,848	5/1992	Embree	D7/510
D. 326,586	6/1992	Embree	D7/510
D. 328,509	8/1992	Hollinger	D7/509 X

D. 356,004	3/1995	Van Valkenburg et al.	D7/316 X
D. 363,641	10/1995	Goto et al.	D7/511
D. 372,838	8/1996	Feltman et al.	D7/533 X
D. 372,839	8/1996	Laib	D7/511 X
D. 382,174	8/1997	Grimm	D7/511 X
3,847,311	11/1974	Flores et al.	220/713 X
4,276,992	7/1981	Susich	D7/510 X
5,036,993	8/1991	Ramsey	220/713 X
5,531,353	7/1996	Ward et al.	D7/511 X

Primary Examiner—M. N. Pandozzi

Attorney, Agent, or Firm—Christie, Parker & Hale, LLP

[57] **CLAIM**

The ornamental design for covered beverage mug, as shown and described.

DESCRIPTION

FIG. 1 is a front elevation view of a covered beverage mug showing my new design;
 FIG. 2 is a right side elevation view thereof;
 FIG. 3 is a left side elevation view thereof;
 FIG. 4 is a rear elevation view thereof;
 FIG. 5 is a top plan view thereof; and,
 FIG. 6 is a bottom plan view thereof.

1 Claim, 6 Drawing Sheets

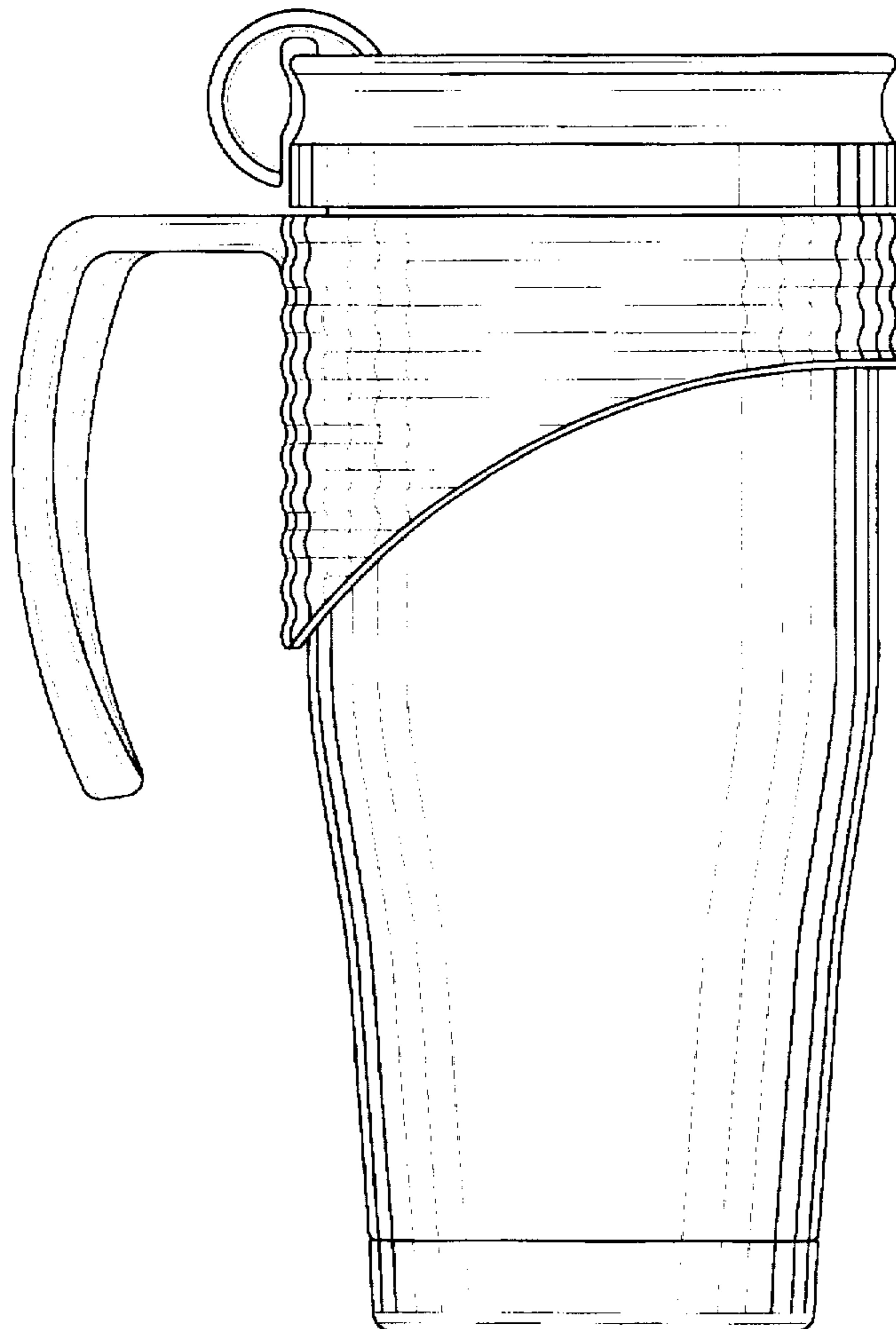


FIG. 1

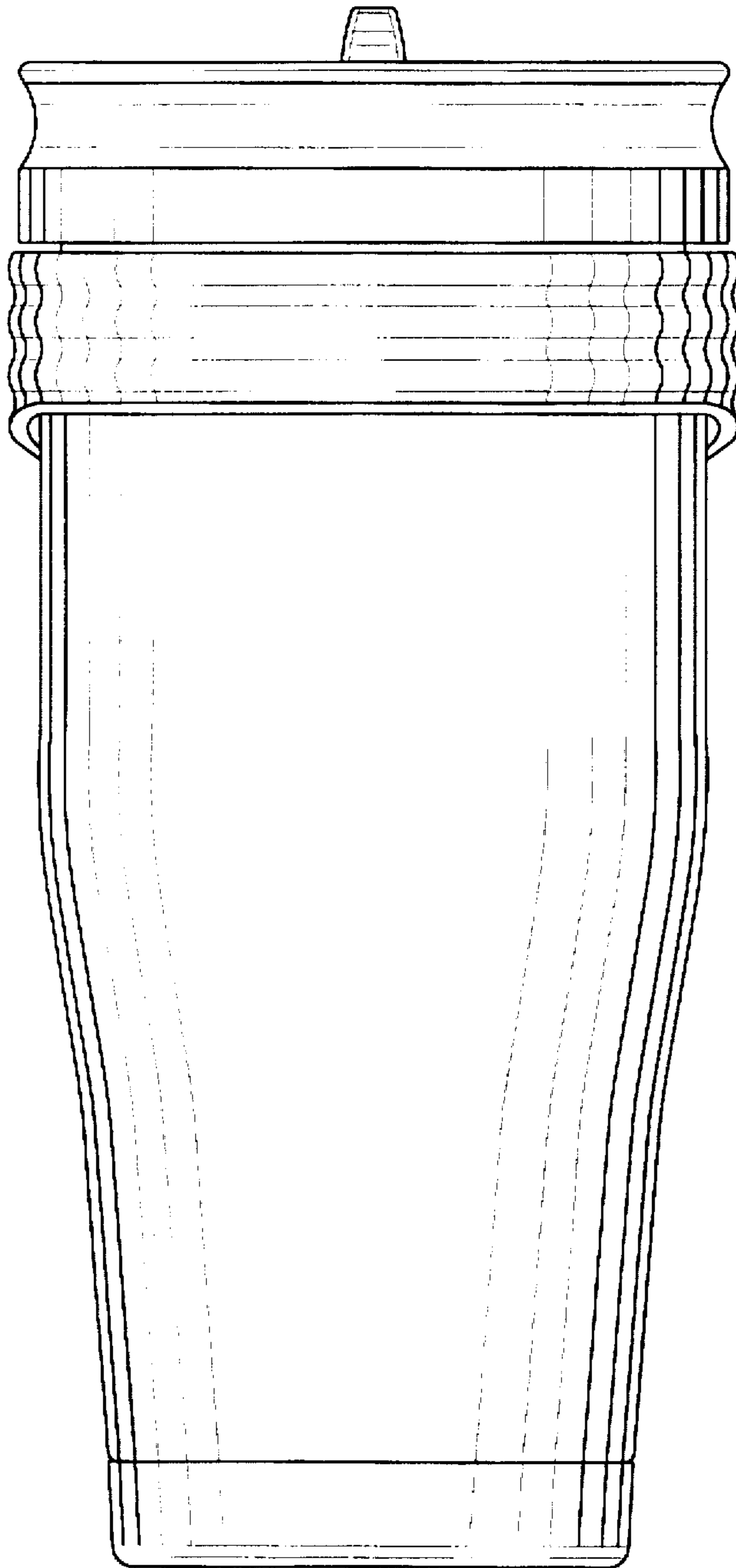


FIG. 2

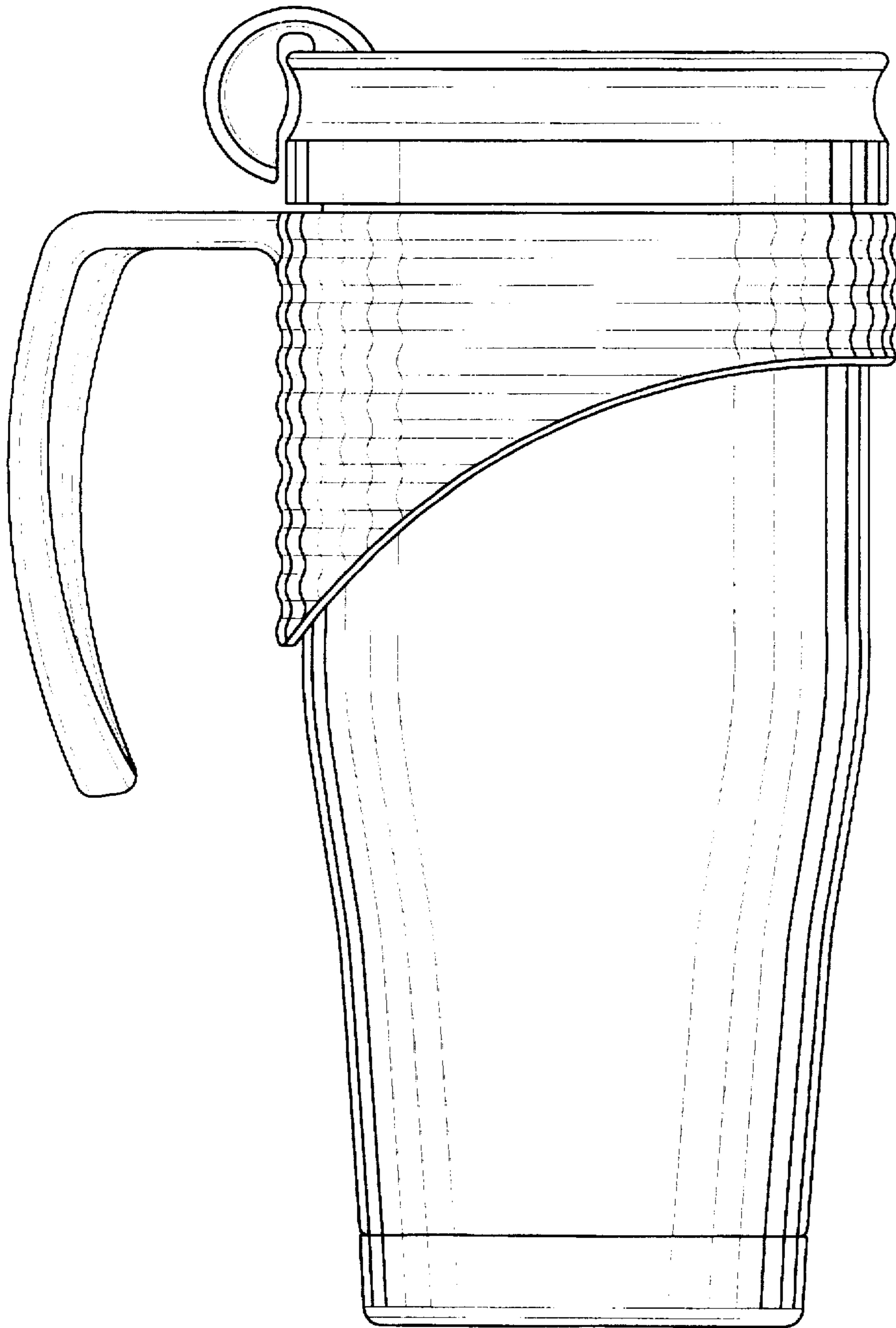


FIG. 3

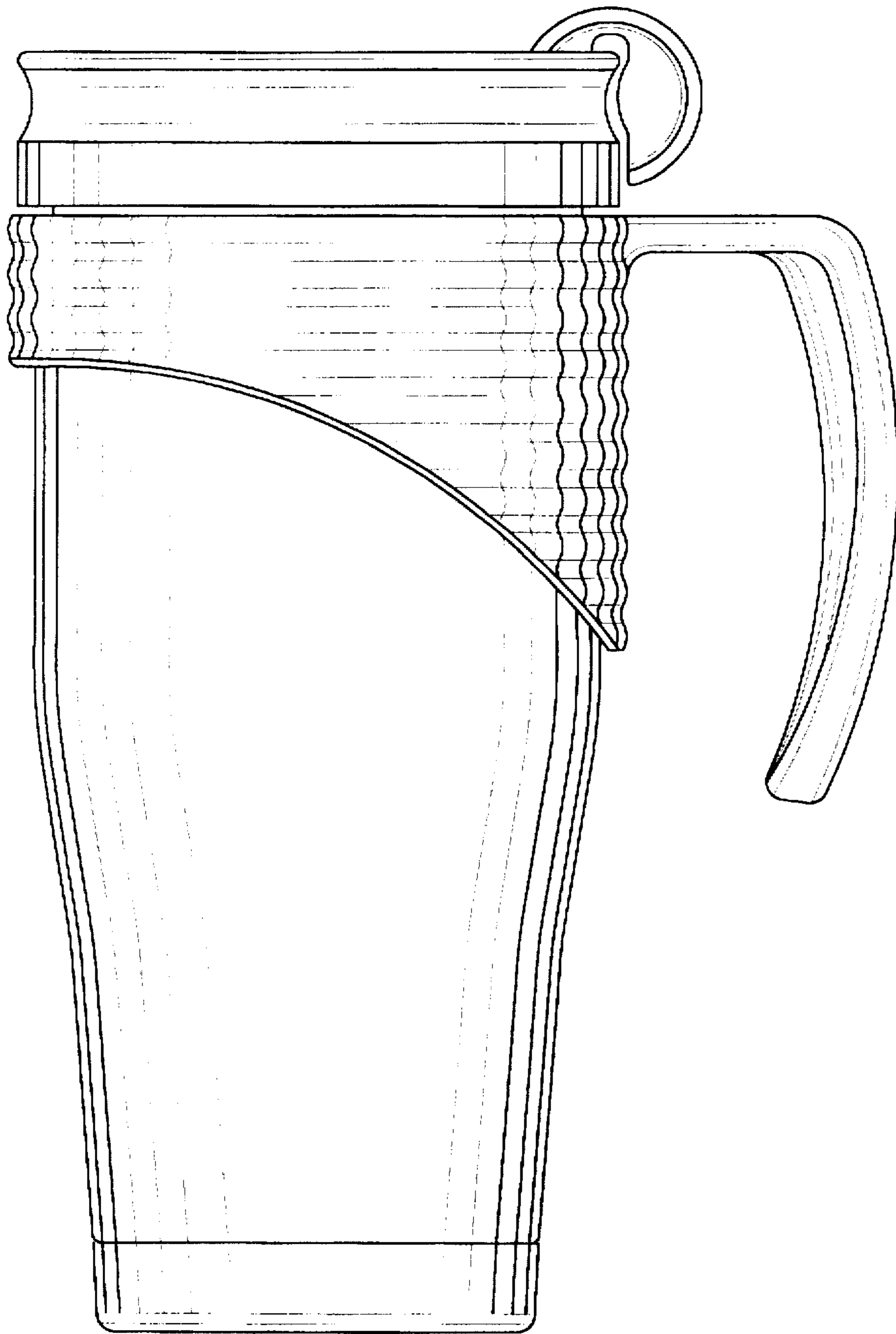


FIG. 4

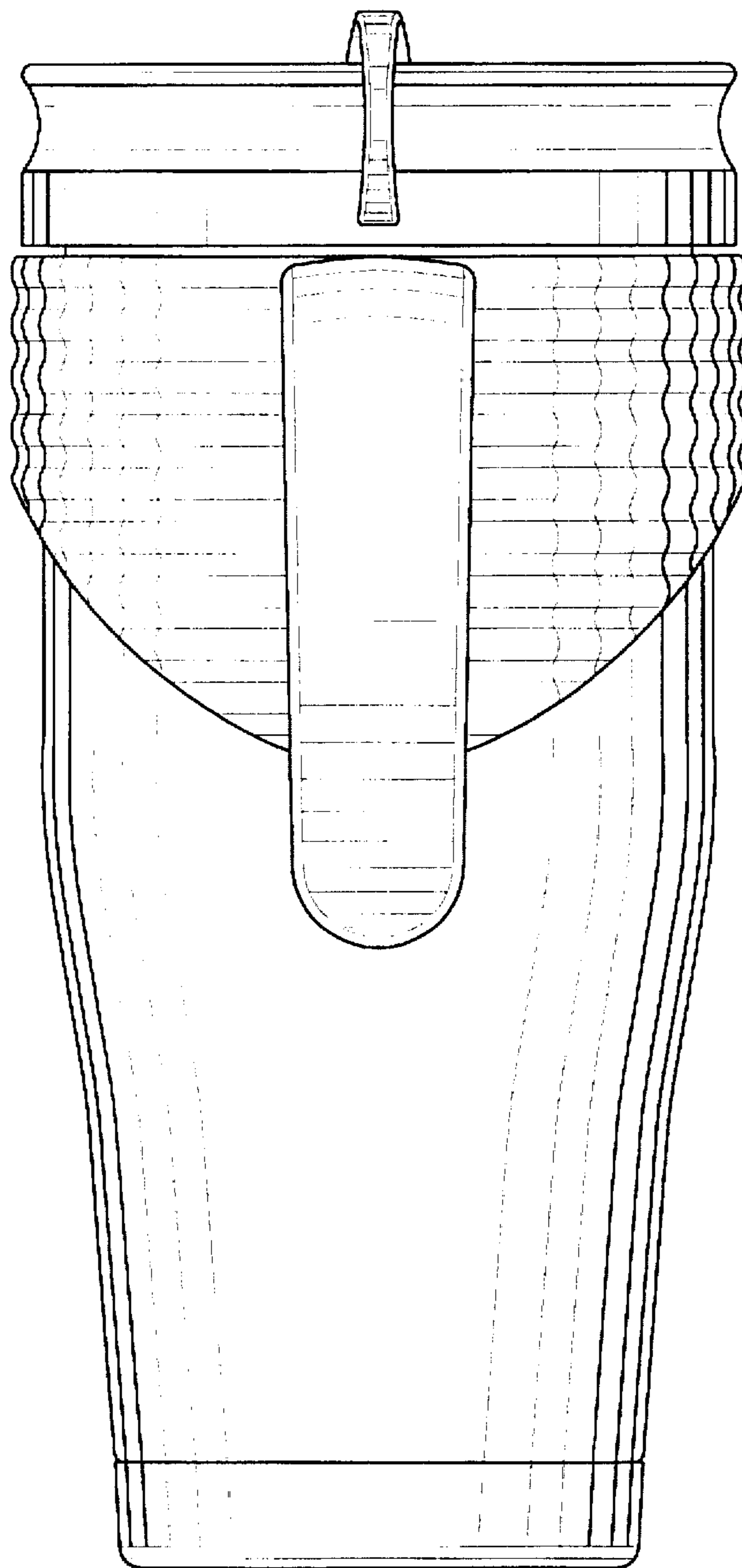


FIG. 5

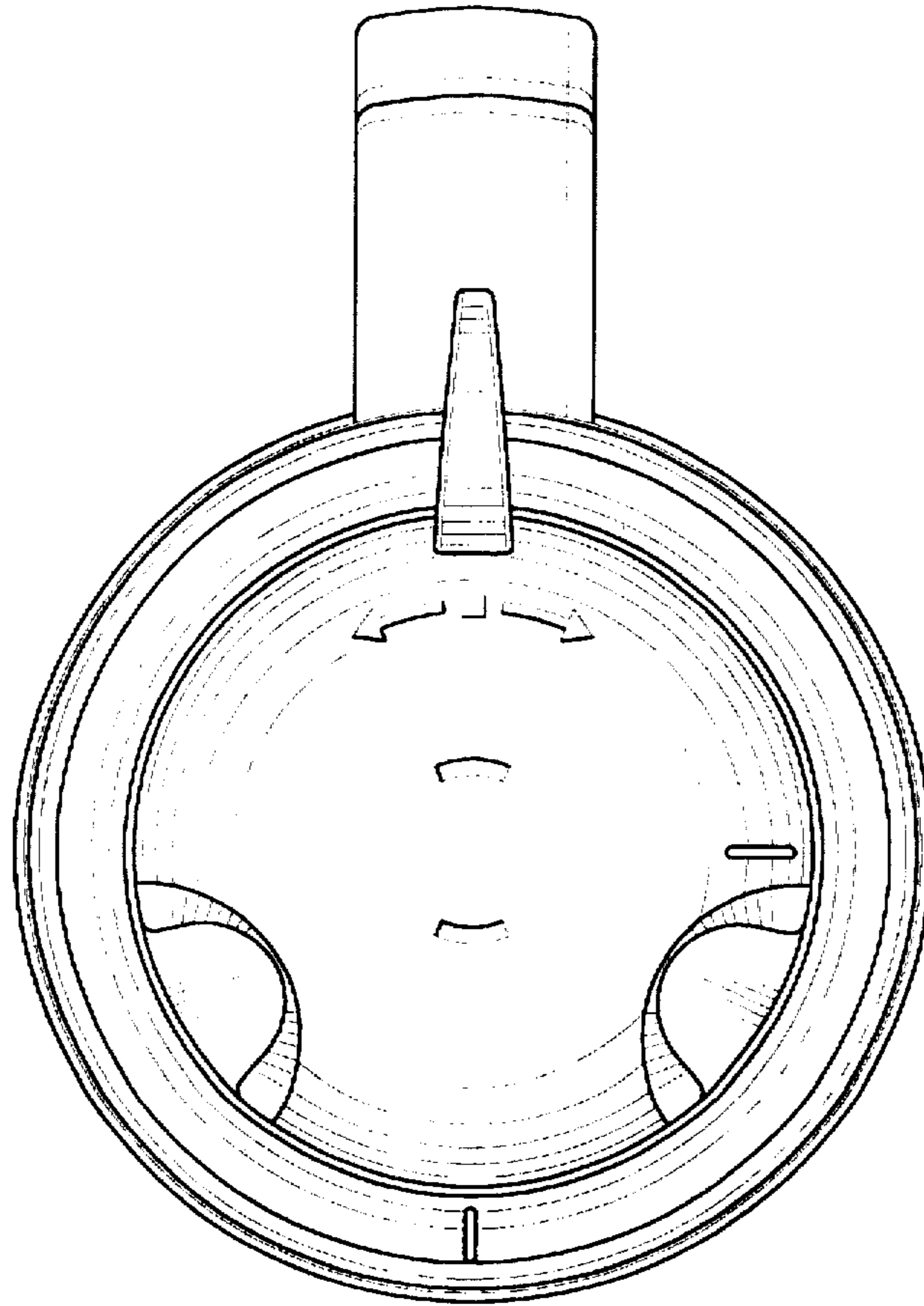


FIG. 6

