



US00D396774S

United States Patent [19]
Domenget

[11] **Patent Number: Des. 396,774**

[45] **Date of Patent: **Aug. 11, 1998**

[54] **SUPPORT STAND**

[75] **Inventor: Herve Domenget, Marcy L'Etoile, France**

[73] **Assignee: Merial, Lyons, France**

[**] **Term: 14 Years**

[21] **Appl. No.: 62,842**

[22] **Filed: Nov. 27, 1996**

[30] **Foreign Application Priority Data**

May 28, 1996 [WO] WIPO DM036514

[51] **LOC (6) Cl. 06-04**

[52] **U.S. Cl. D6/629; D6/467**

[58] **Field of Search** D6/407, 626-630, D6/462-468, 450, 457, 473-476, 556-567, 570, 572, 553; 312/9.1-9.64; D19/90; D32/55, 58; 211/40, 41.1, 41.2, 41.3, 41.4, 42, 41.12, 44, 41.18, 48, 181.1; 206/307.1, 307, 308.1, 445, 387.15, 454, 387.1, 425

[56] **References Cited**

U.S. PATENT DOCUMENTS

D. 247,646 3/1978 Woodhall D6/629
D. 283,957 5/1986 Stravitz D6/407
D. 326,569 6/1992 Stravitz D6/407
4,231,625 11/1980 Perez et al. 206/387.15 X

4,741,438 5/1988 Mastronardo et al. 211/40 X
4,819,802 4/1989 Gutierrez 206/308.1 X
4,889,244 12/1989 Hehn et al. 211/40 X
5,638,962 6/1997 Price, Jr. 211/41

OTHER PUBLICATIONS

Ikea catalog, rear cover TITA cd rack, 1994.

Primary Examiner—Jeffrey Asch
Attorney, Agent, or Firm—Larson & Taylor

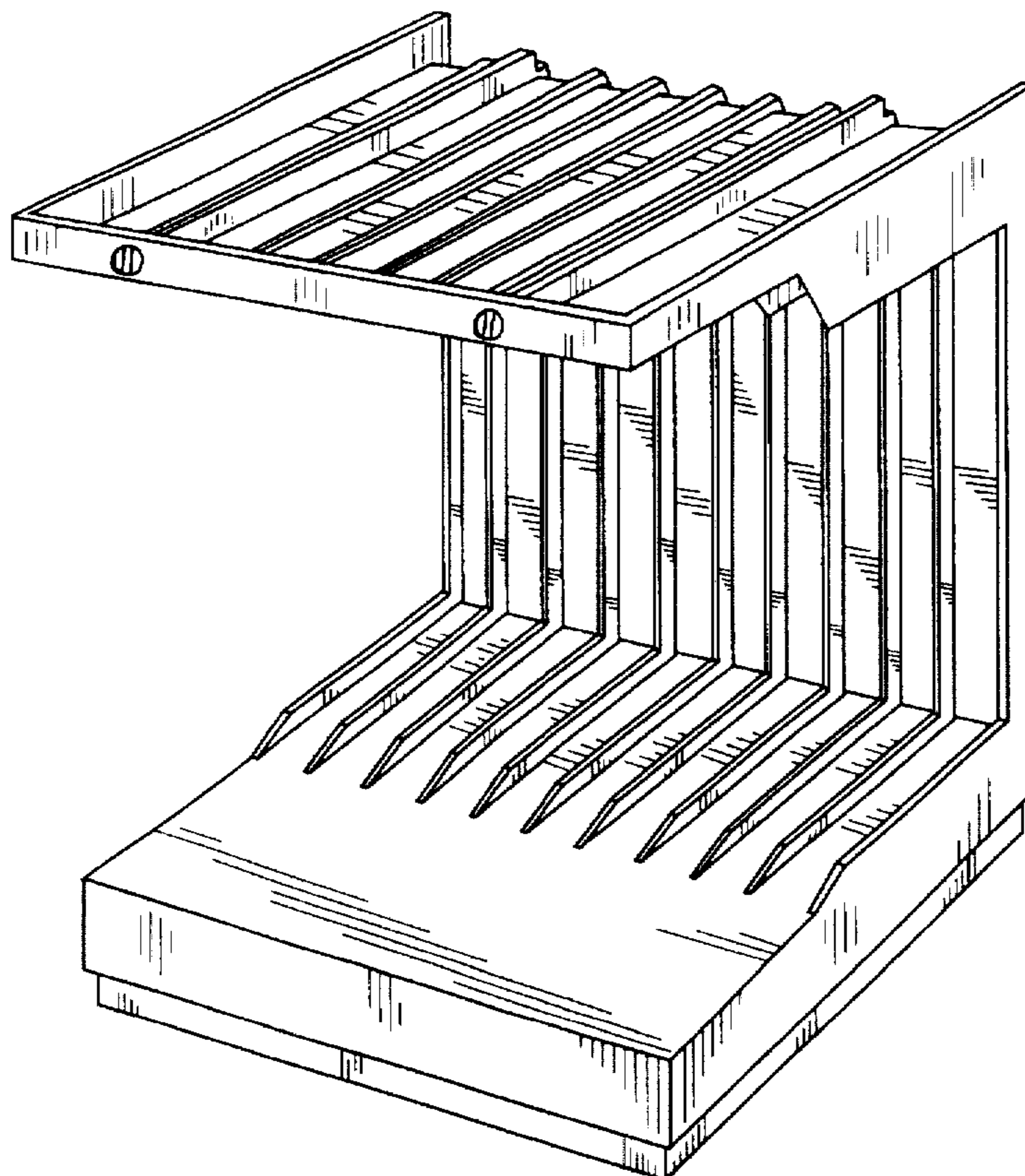
[57] **CLAIM**

The ornamental design for a support stand, as shown and described.

DESCRIPTION

FIG. 1 is a front perspective view of the support stand embodying my new design;
FIG. 2 is a right side elevational view of the support stand of FIG. 1;
FIG. 3 is a front elevational view of the support stand of FIG. 1;
FIG. 4 is a left side elevational view of the support stand of FIG. 1;
FIG. 5 is a rear elevational view of the support stand of FIG. 1;
FIG. 6 is a top plan view of the support stand of FIG. 1; and
FIG. 7 is a bottom plan view of the support stand of FIG. 1.

1 Claim, 3 Drawing Sheets



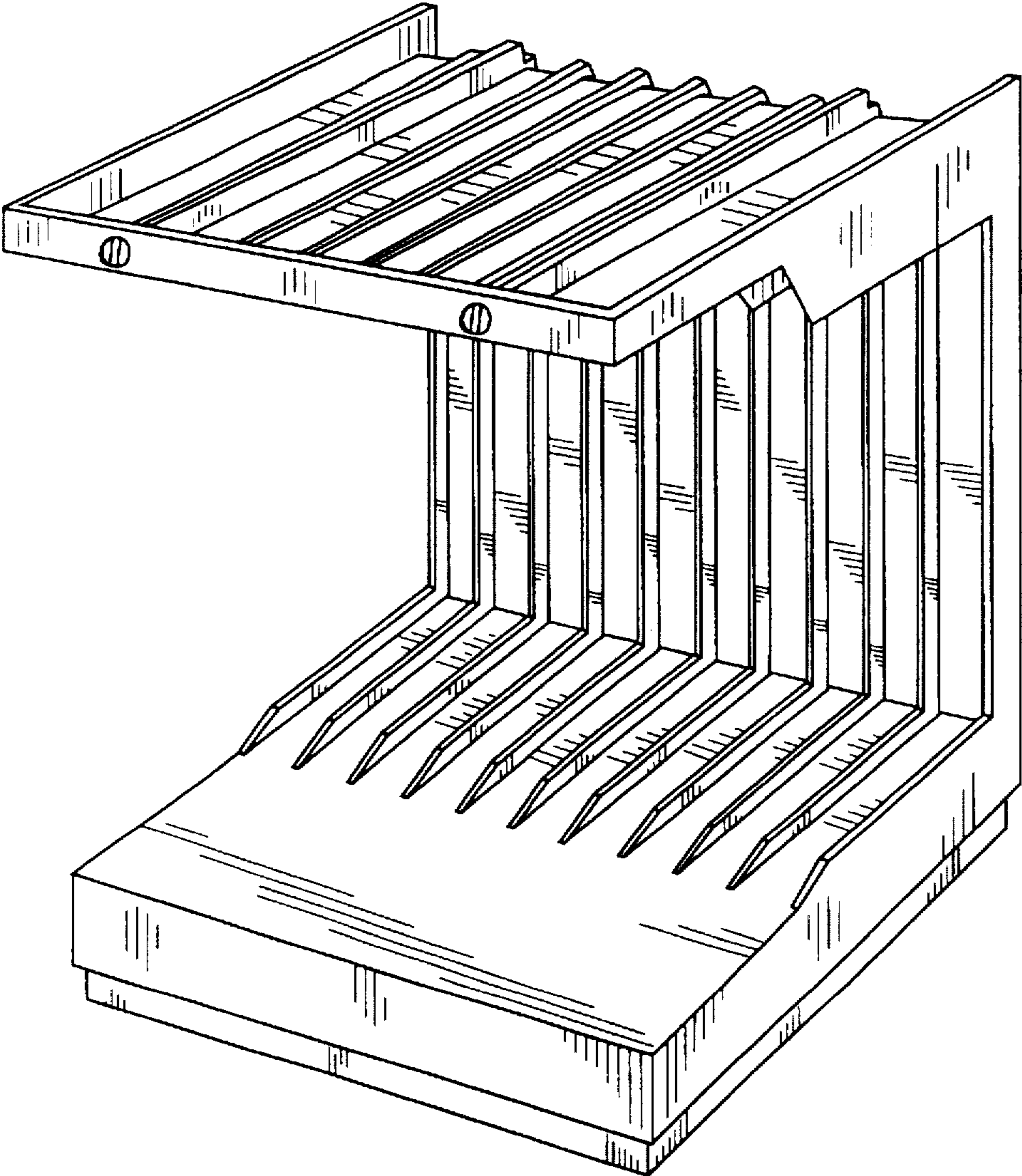


FIG. 1

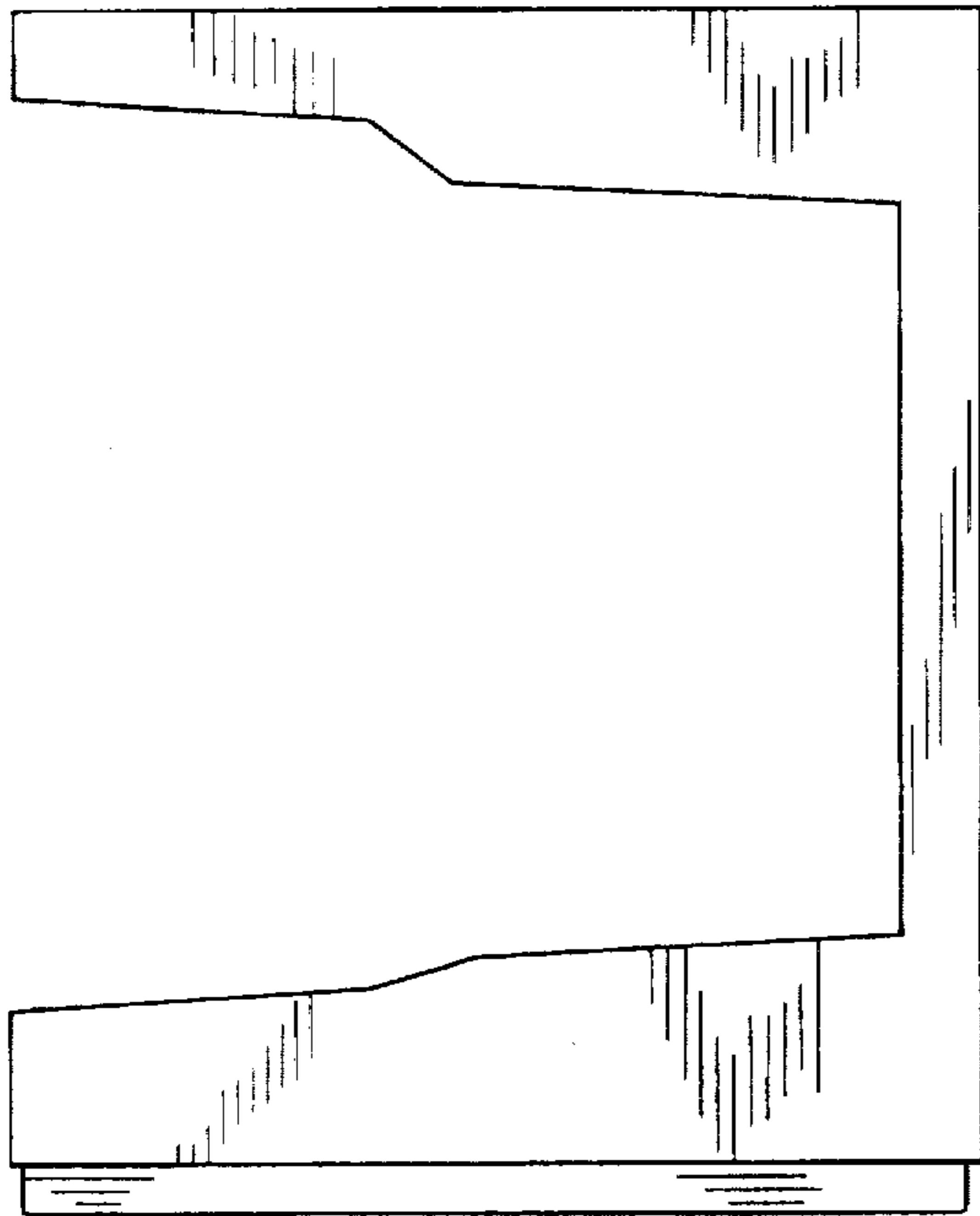


FIG. 2

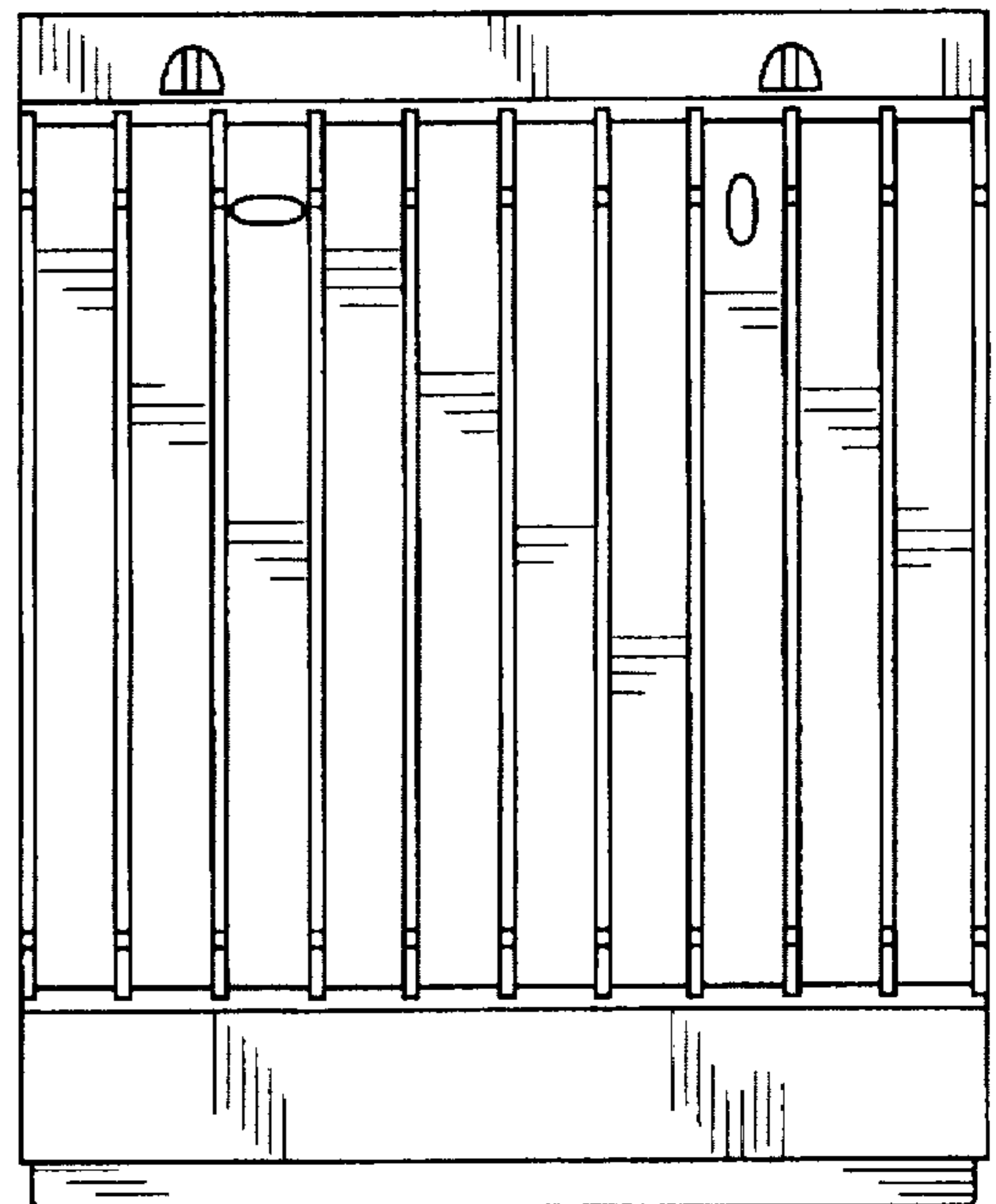


FIG. 3

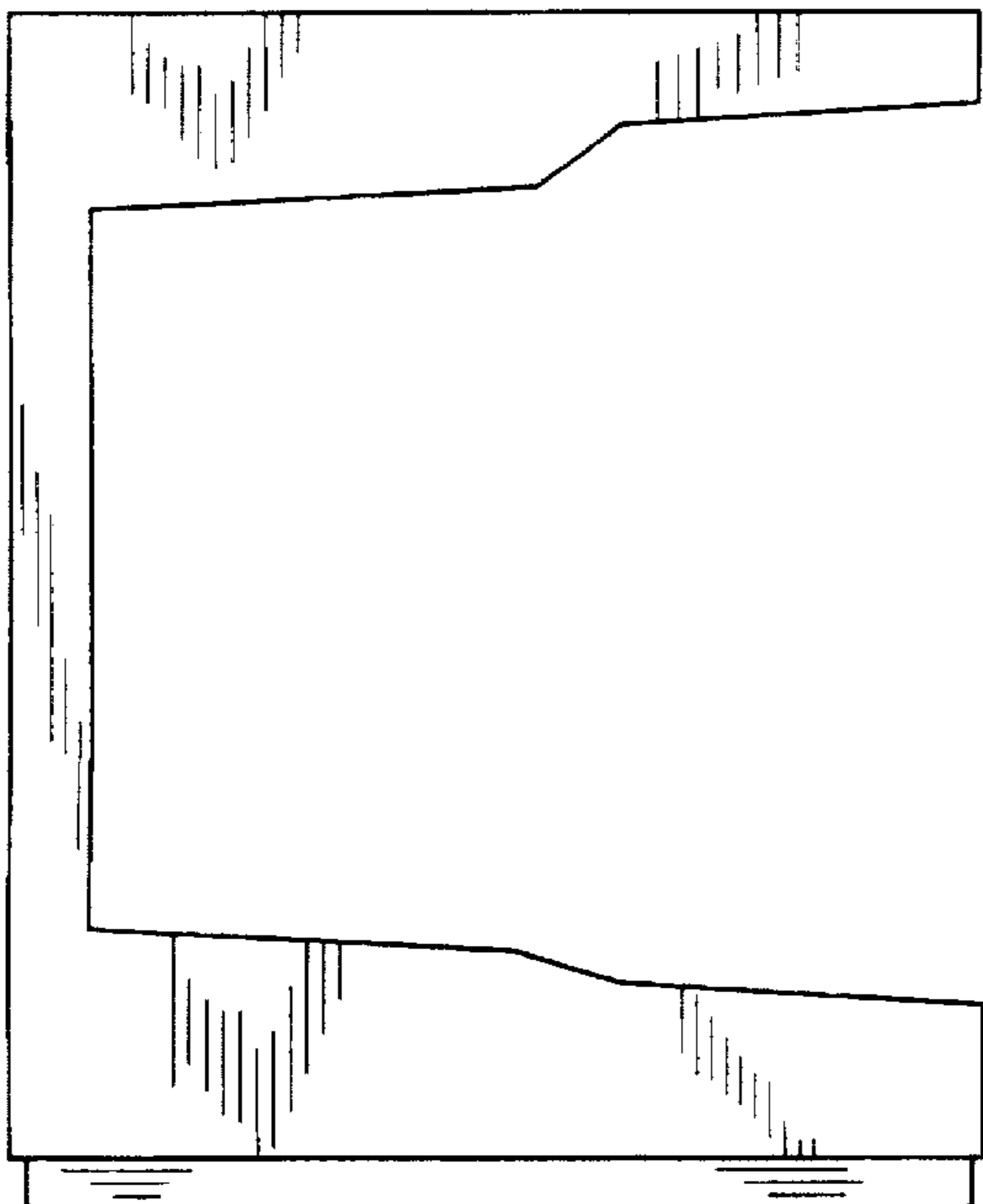


FIG. 4

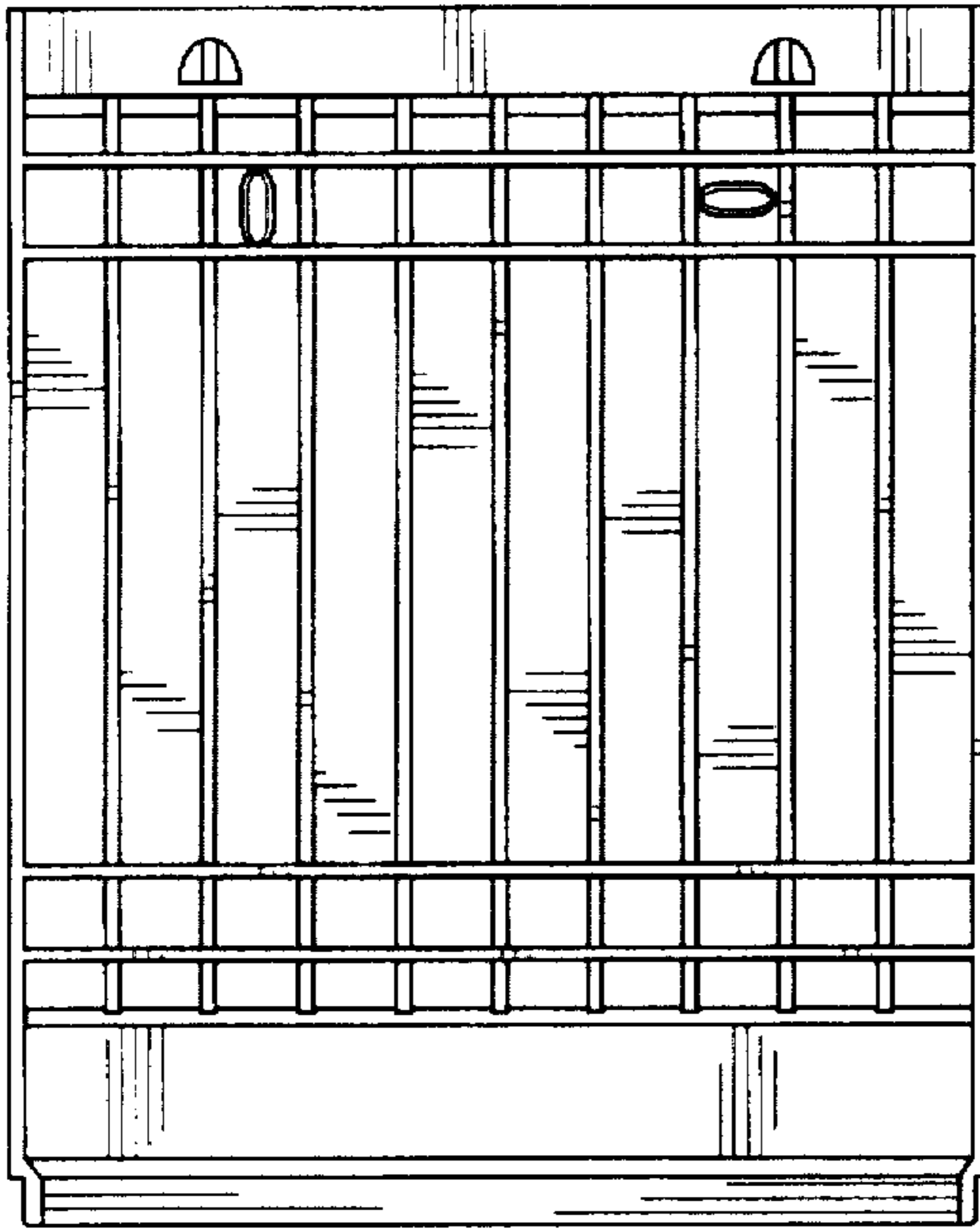


FIG. 5

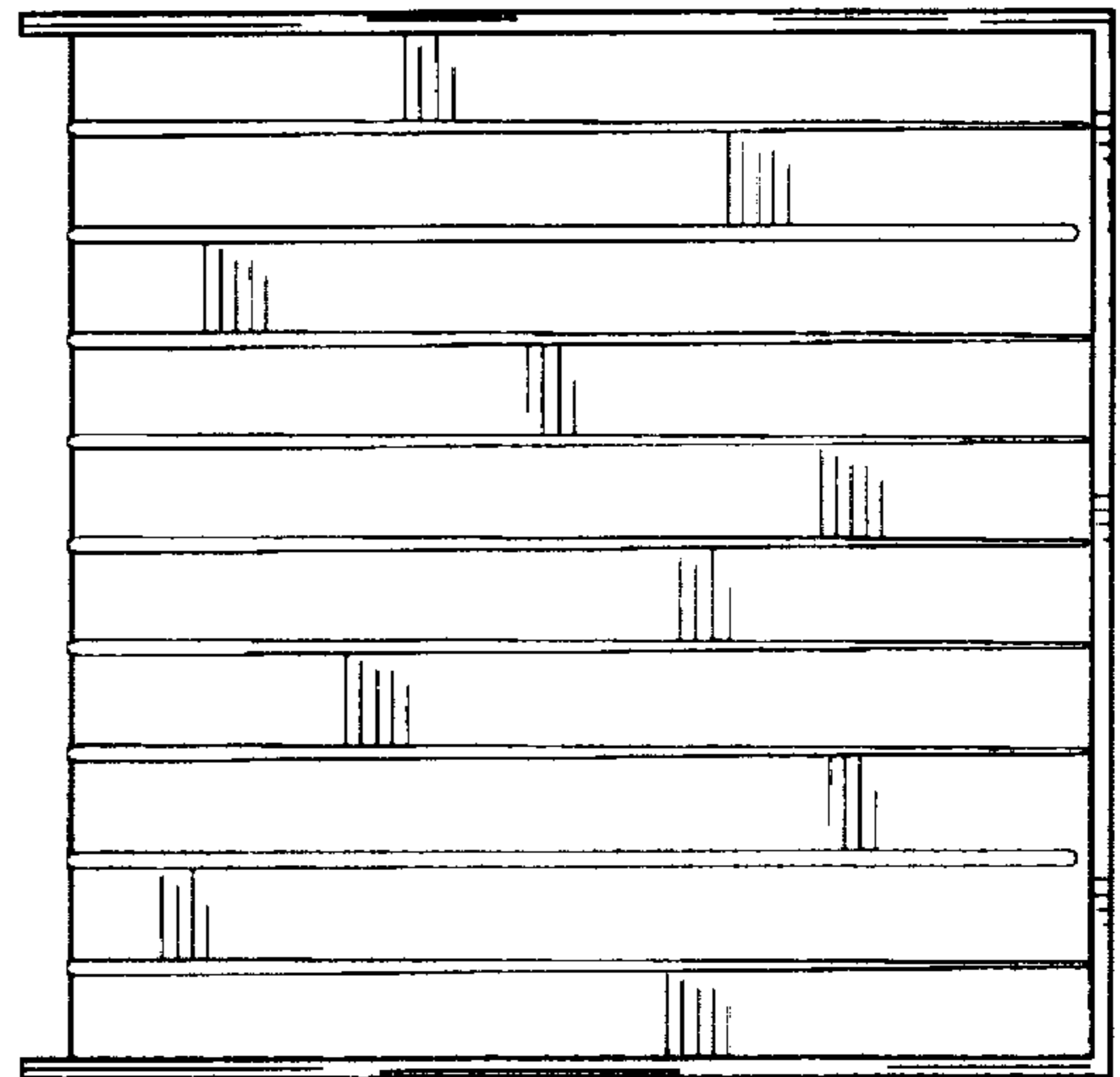


FIG. 6

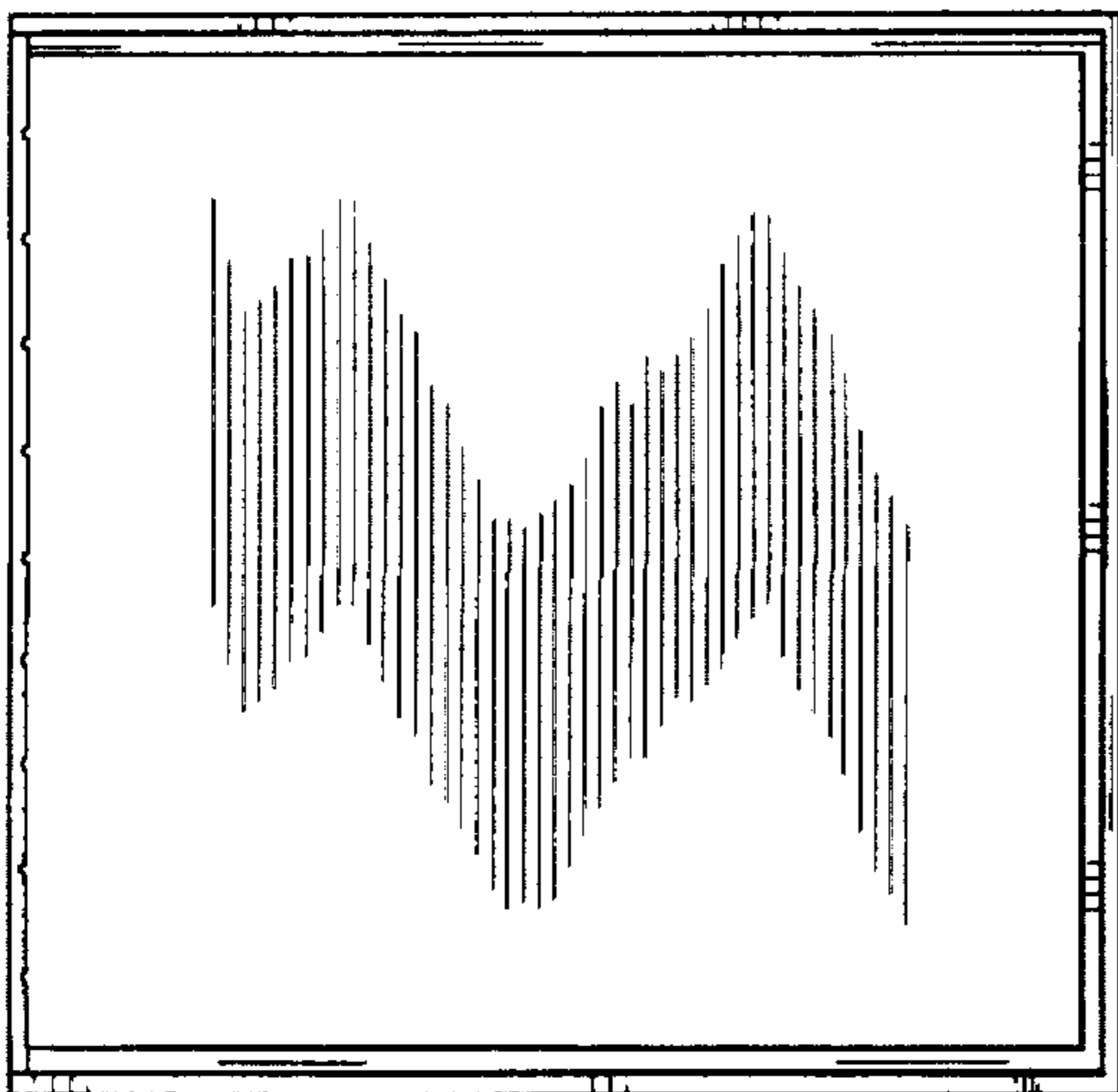


FIG. 7