



US00D396769S

United States Patent [19]

[11] Patent Number: Des. 396,769

Phipps et al.

[45] Date of Patent: **Aug. 11, 1998

[54] **SHOWER MISTER**

5,136,735 8/1992 Zimmerman .
5,390,852 2/1995 Schuenemann et al. .
5,460,192 10/1995 McClain .

[76] Inventors: **Tilda D. Phipps; Jeffrey L. Phipps**,
both of 3929 St. Christopher Way,
Dallas, Tex. 75287

Primary Examiner—Brian N. Vinson

[**] Term: **14 Years**

[57] **CLAIM**

[21] Appl. No.: **58,834**

The ornamental design for the shower mister, as shown and described.

[22] Filed: **Aug. 26, 1996**

DESCRIPTION

[51] LOC (6) Cl. **07-07**

FIG. 1 is a perspective view of the shower mister showing our new design;

[52] U.S. Cl. **D6/542**

FIG. 2 is a front elevational view thereof;

[58] Field of Search D6/542-545; 222/402.11.

FIG. 3 is a rear elevational view thereof;

222/173, 180, 181.1, 181.2, 257

FIG. 4 is a left side elevational view thereof;

[56] **References Cited**

FIG. 5 is a right side elevational view thereof;

U.S. PATENT DOCUMENTS

FIG. 6 is a top plan view thereof; and,

D. 371,479 7/1996 Hirst D6/542

FIG. 7 is a bottom plan view thereof.

4,967,935 11/1990 Celest .

5,044,522 9/1991 Roig et al. .

1 Claim, 3 Drawing Sheets

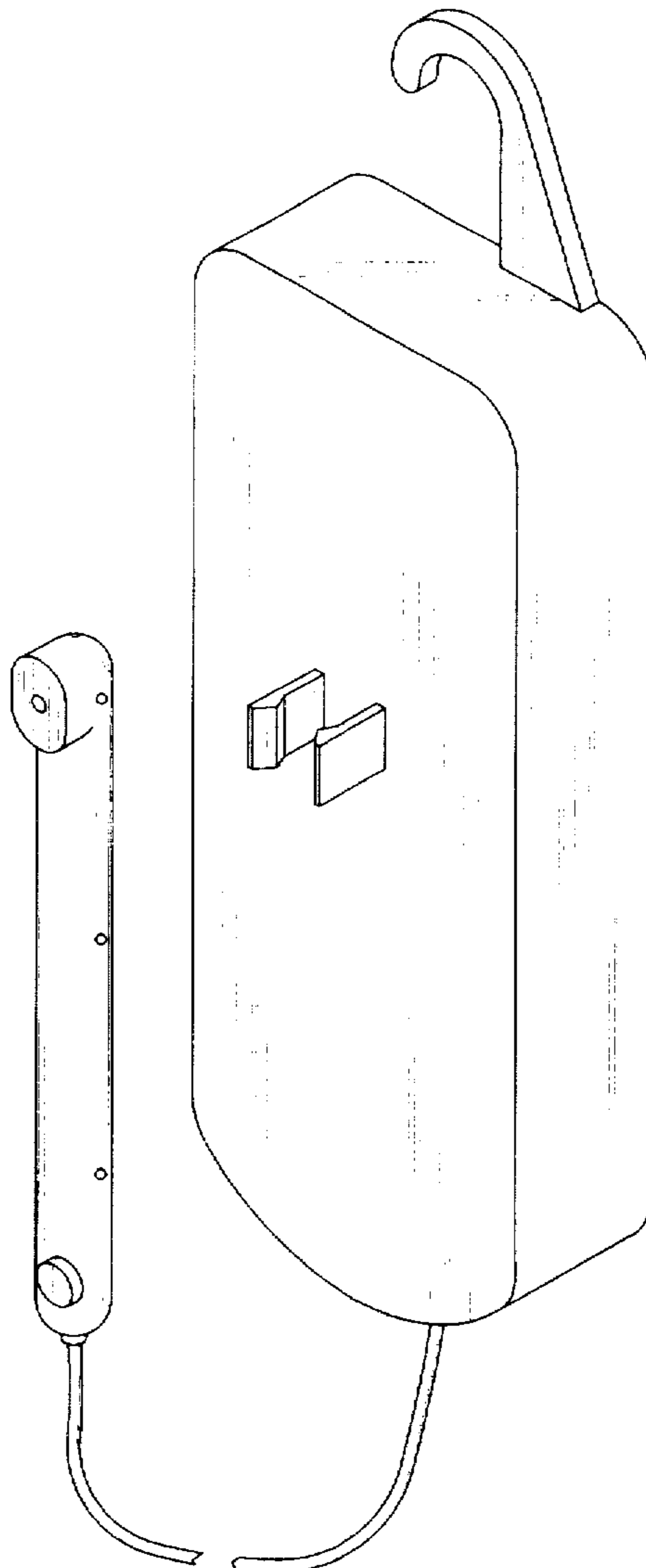


FIG. 1

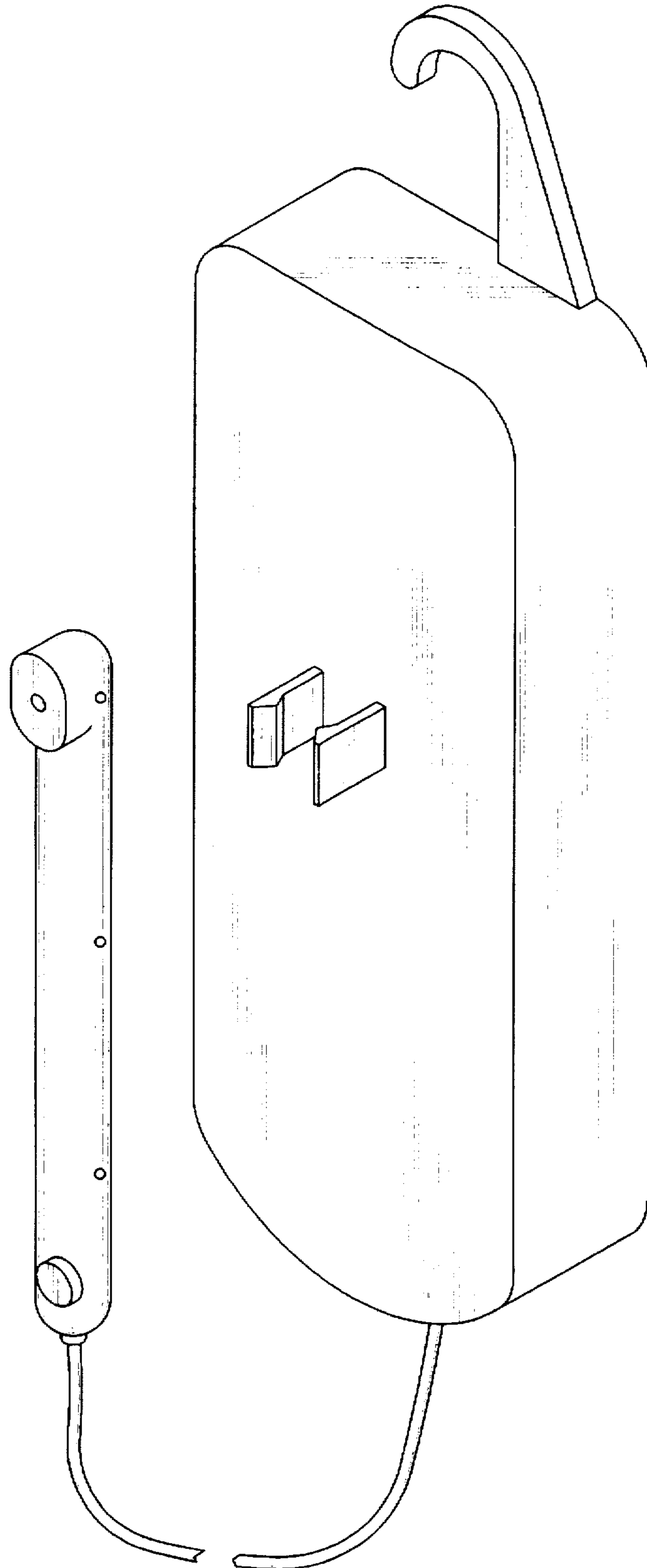


FIG. 2

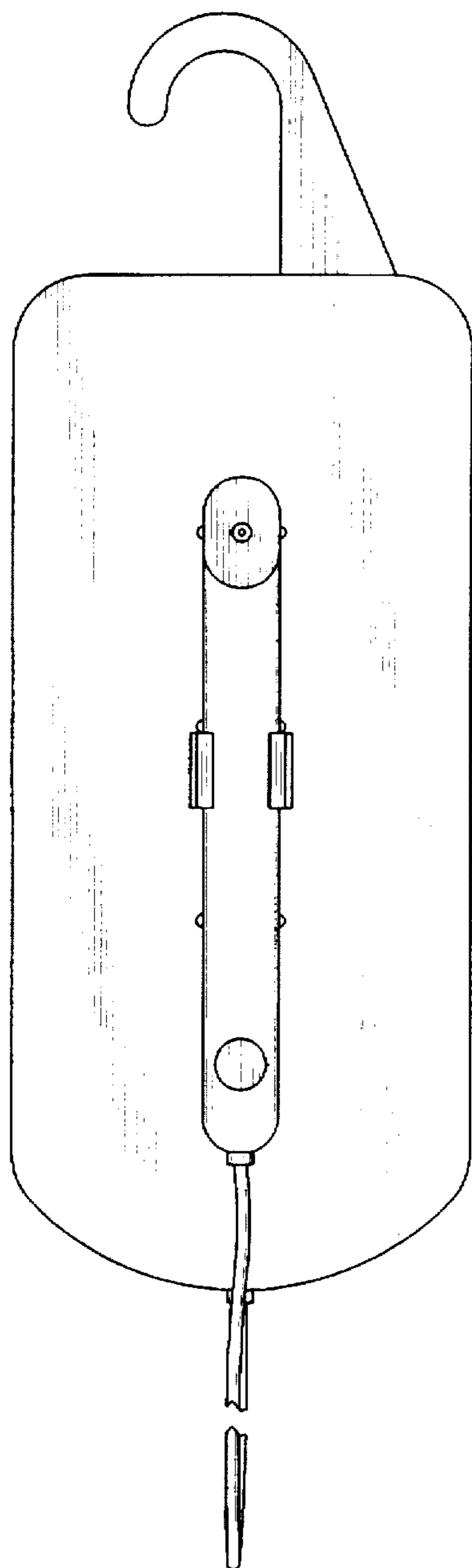


FIG. 3

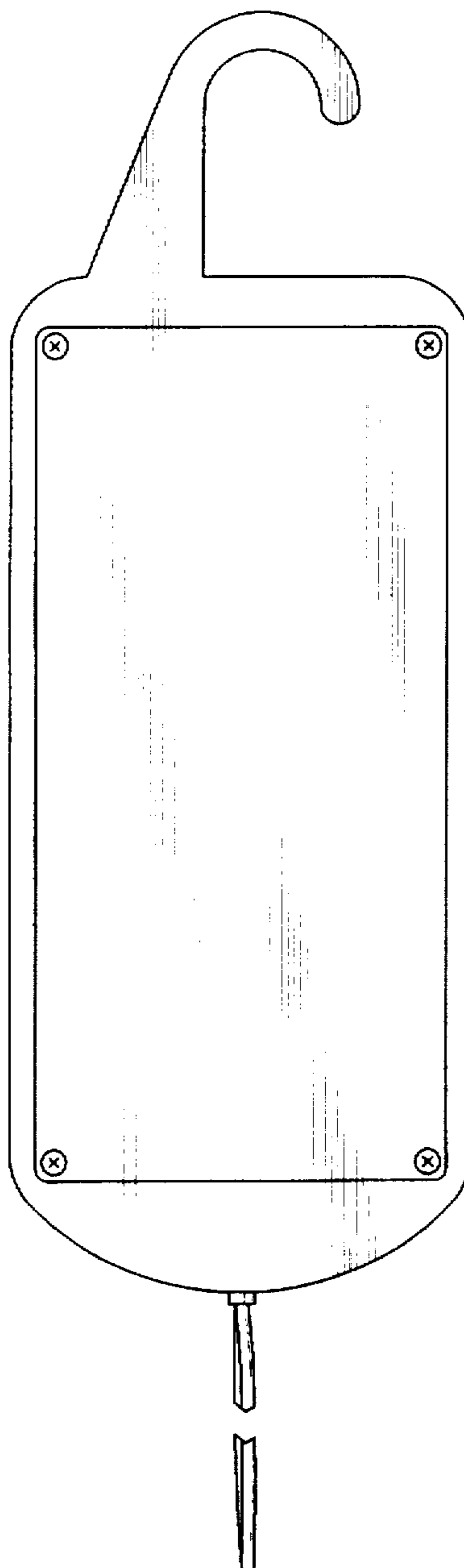


FIG. 4

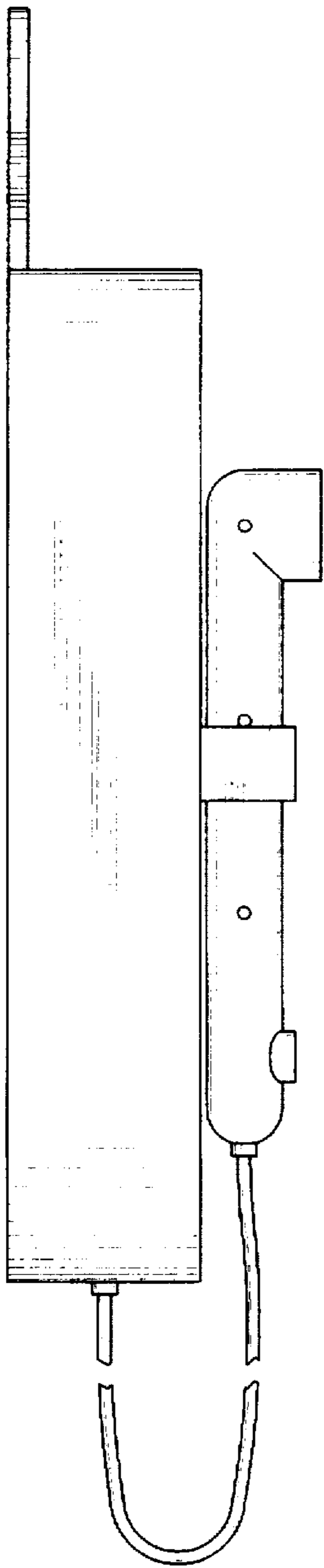


FIG. 5

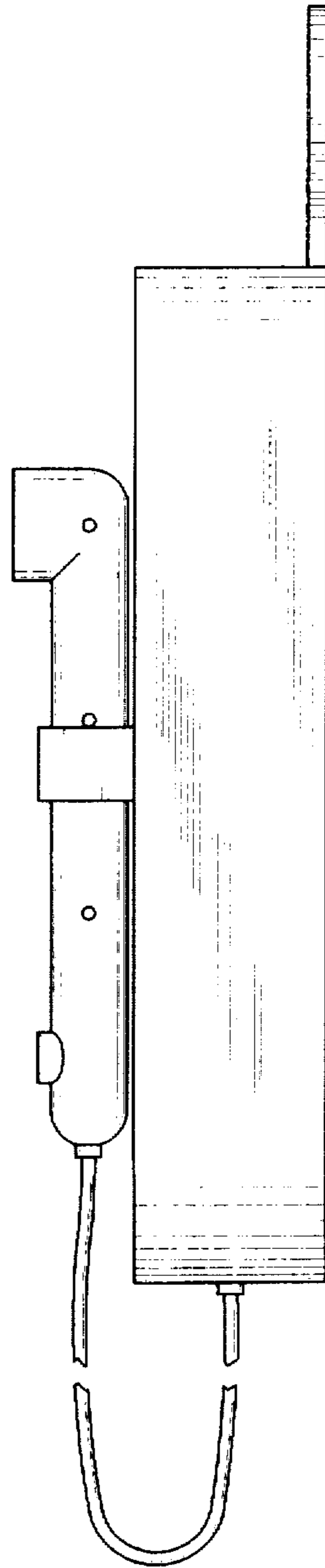


FIG. 6

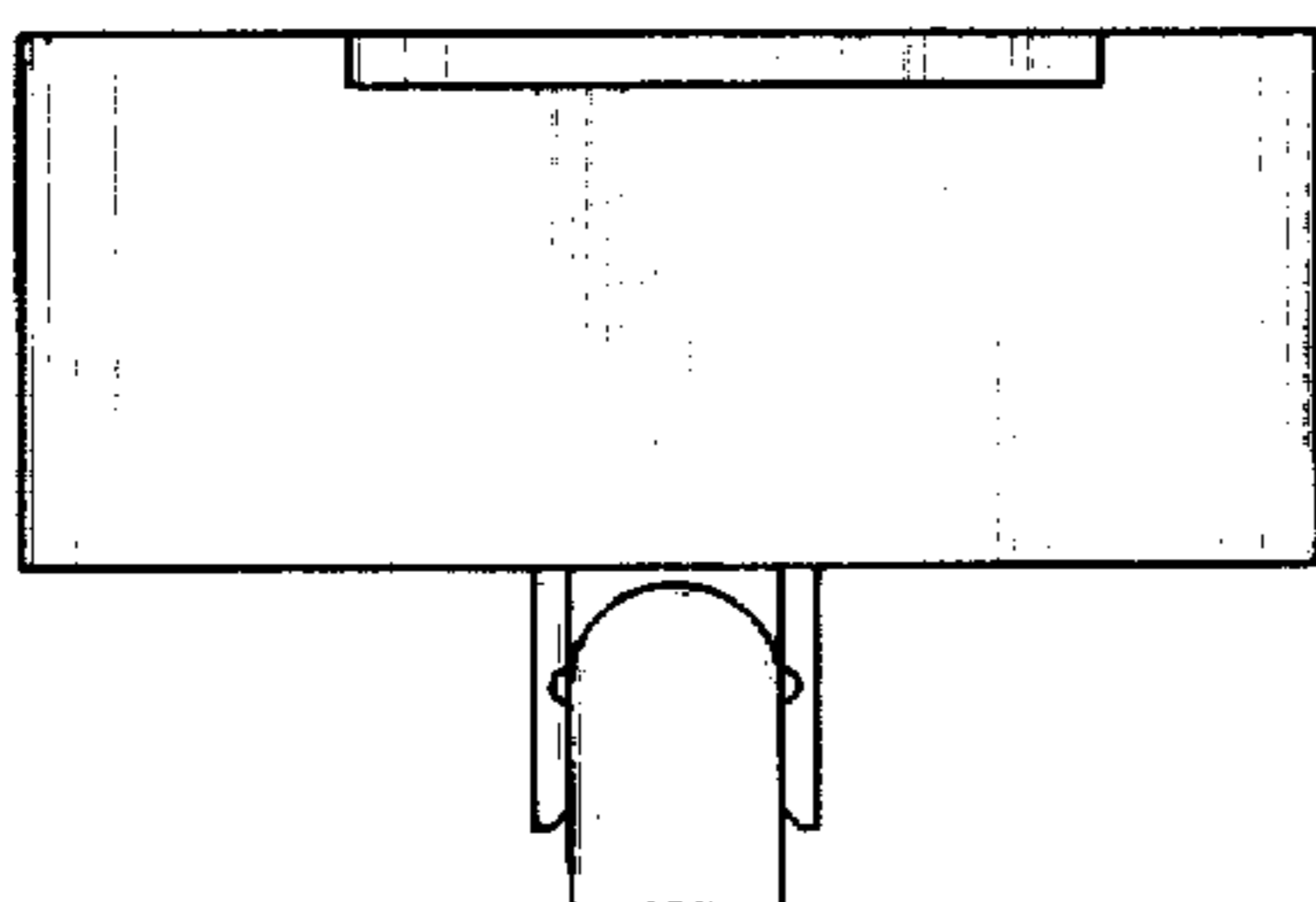


FIG. 7

