



US00D396768S

United States Patent [19]
Drake

[11] **Patent Number:** **Des. 396,768**

[45] **Date of Patent:** ****Aug. 11, 1998**

[54] **COMBINED ULTRAVIOLET LIGHT
TOOTHBRUSH HOLDER AND STAND
THEREFOR**

[75] **Inventor:** **Robert Drake**, 17918 Lull St., Reseda,
Calif. 91335

[73] **Assignee:** **Robert Drake**, Reseda, Calif.

[**] **Term:** **14 Years**

[21] **Appl. No.:** **69,141**

[22] **Filed:** **Mar. 20, 1997**

[51] **LOC (6) Cl.** **06-02**

[52] **U.S. Cl.** **D6/534; D24/210; D6/528**

[58] **Field of Search** **D6/524, 527, 528,
D6/534; 4/108, 110, 113; 250/422.24, 455.11,
492.1; 607/1; D24/209, 210**

[56] **References Cited**

U.S. PATENT DOCUMENTS

- D. 247,756 4/1978 Nagelkerke D24/210
- D. 310,724 9/1990 Jackson D24/210 X
- D. 318,191 7/1991 Sanchez D6/408

FOREIGN PATENT DOCUMENTS

- 2457517 8/1976 Germany 250/455.11

Primary Examiner—Pamela Burgess

[57] **CLAIM**

The ornamental design for a combined ultraviolet light toothbrush holder stand, therefor, as shown.

DESCRIPTION

FIG. 1 is a top perspective view of a combined ultraviolet light toothbrush holder and stand therefor showing my new design;

FIG. 2 is a right side elevational view thereof;

FIG. 3 is a bottom plan view thereof;

FIG. 4 is a top perspective view of the holder shown separately for clarity of illustration only;

FIG. 5 is a bottom perspective view thereof;

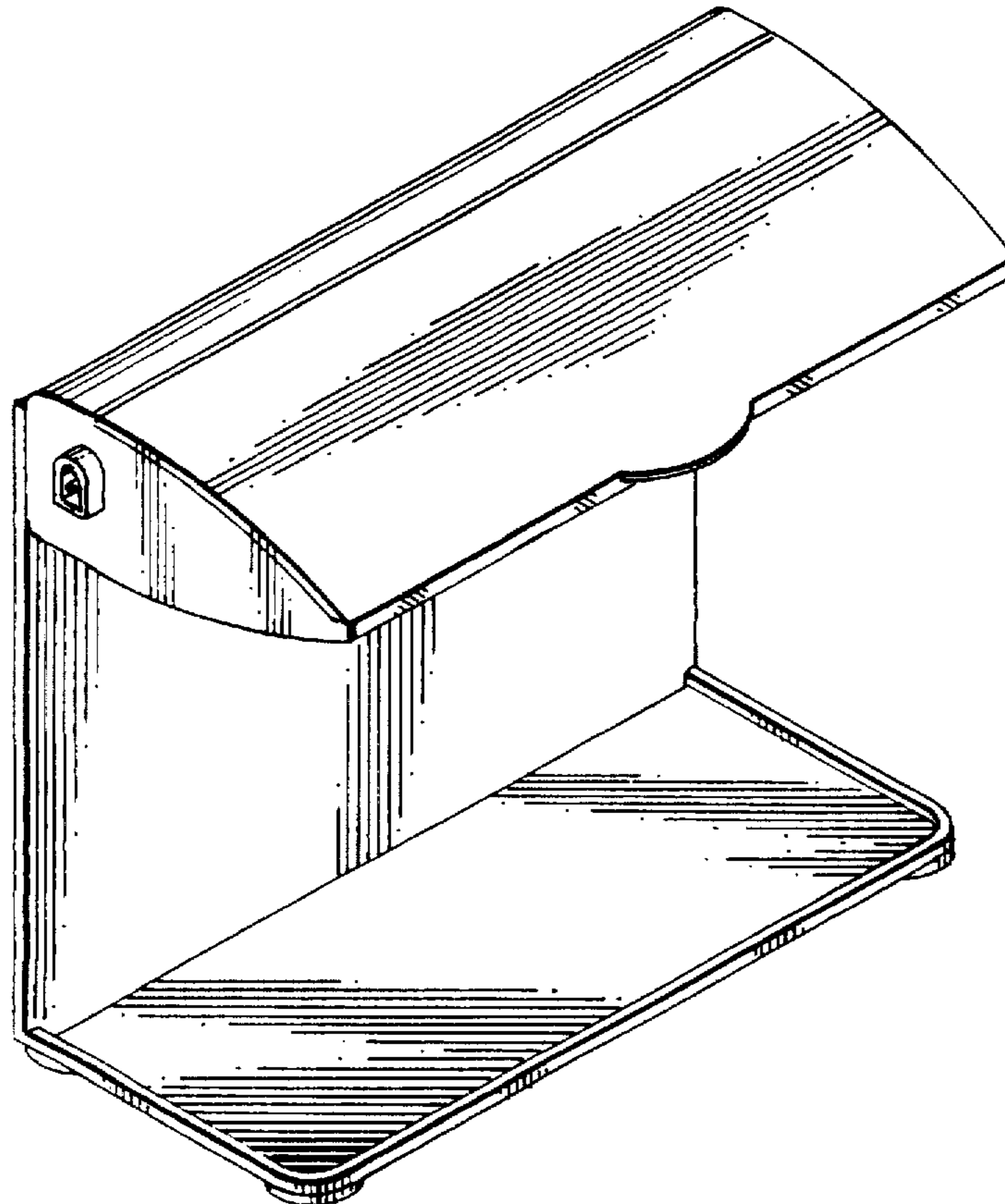
FIG. 6 is a left side elevational view thereof;

FIG. 7 is a right side elevational view thereof;

FIG. 8 is a bottom plan view thereof; and,

FIG. 9 is a bottom perspective view of a second embodiment thereof, shown separately from the stand for clarity of illustration only, the only difference from the first embodiment resides in the adhesive strip.

1 Claim, 2 Drawing Sheets



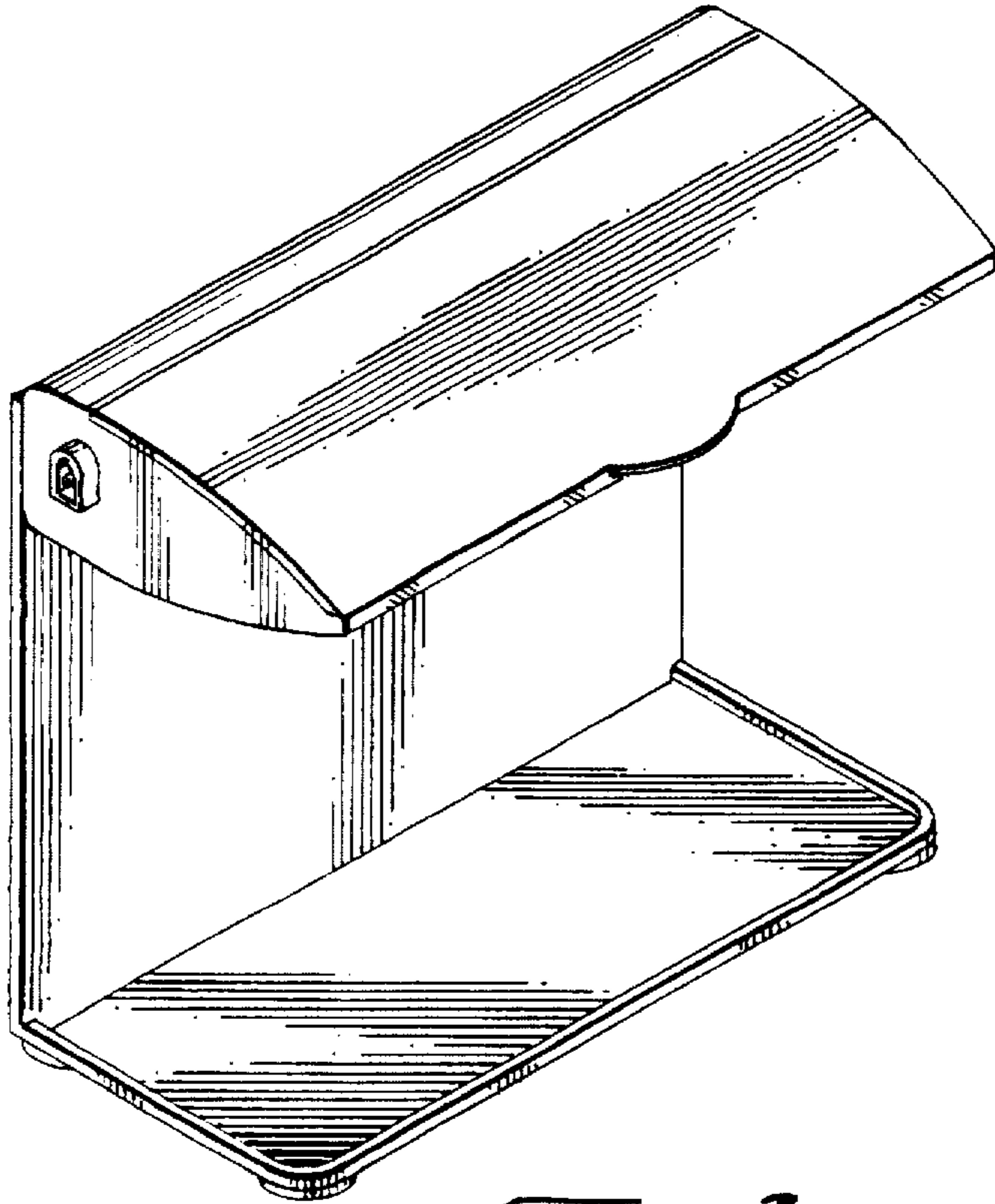


FIG. 1

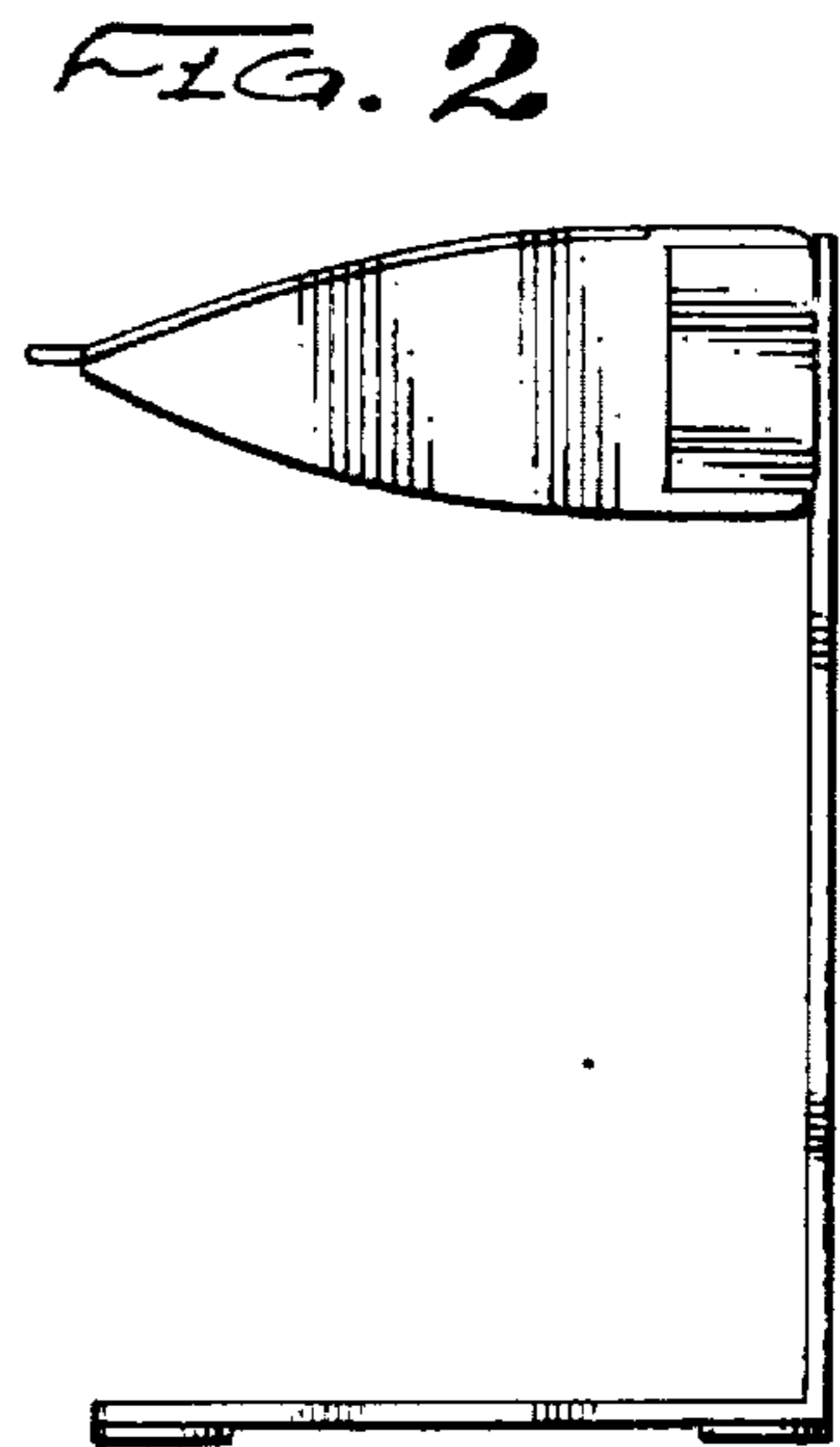


FIG. 2

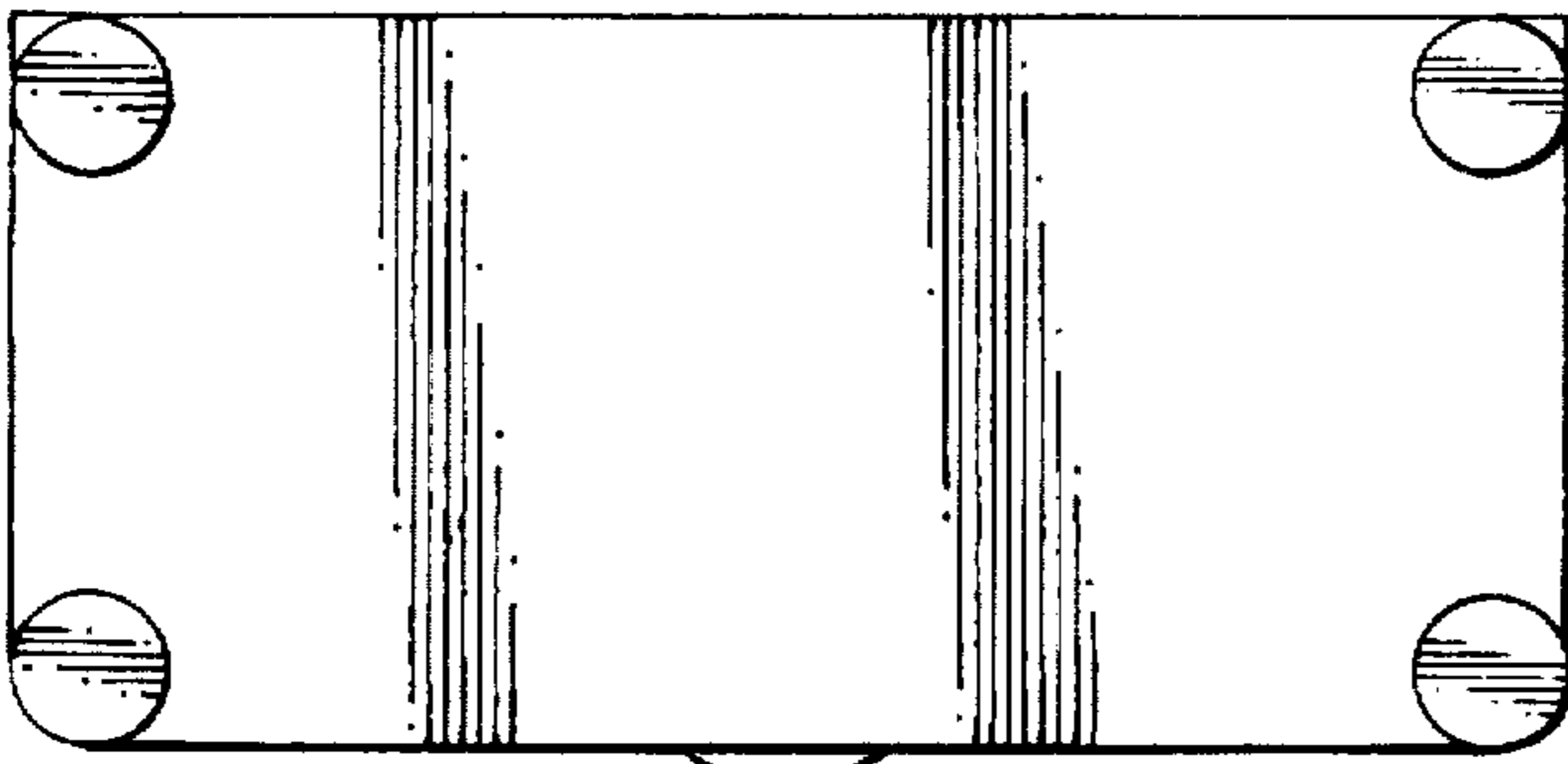


FIG. 3

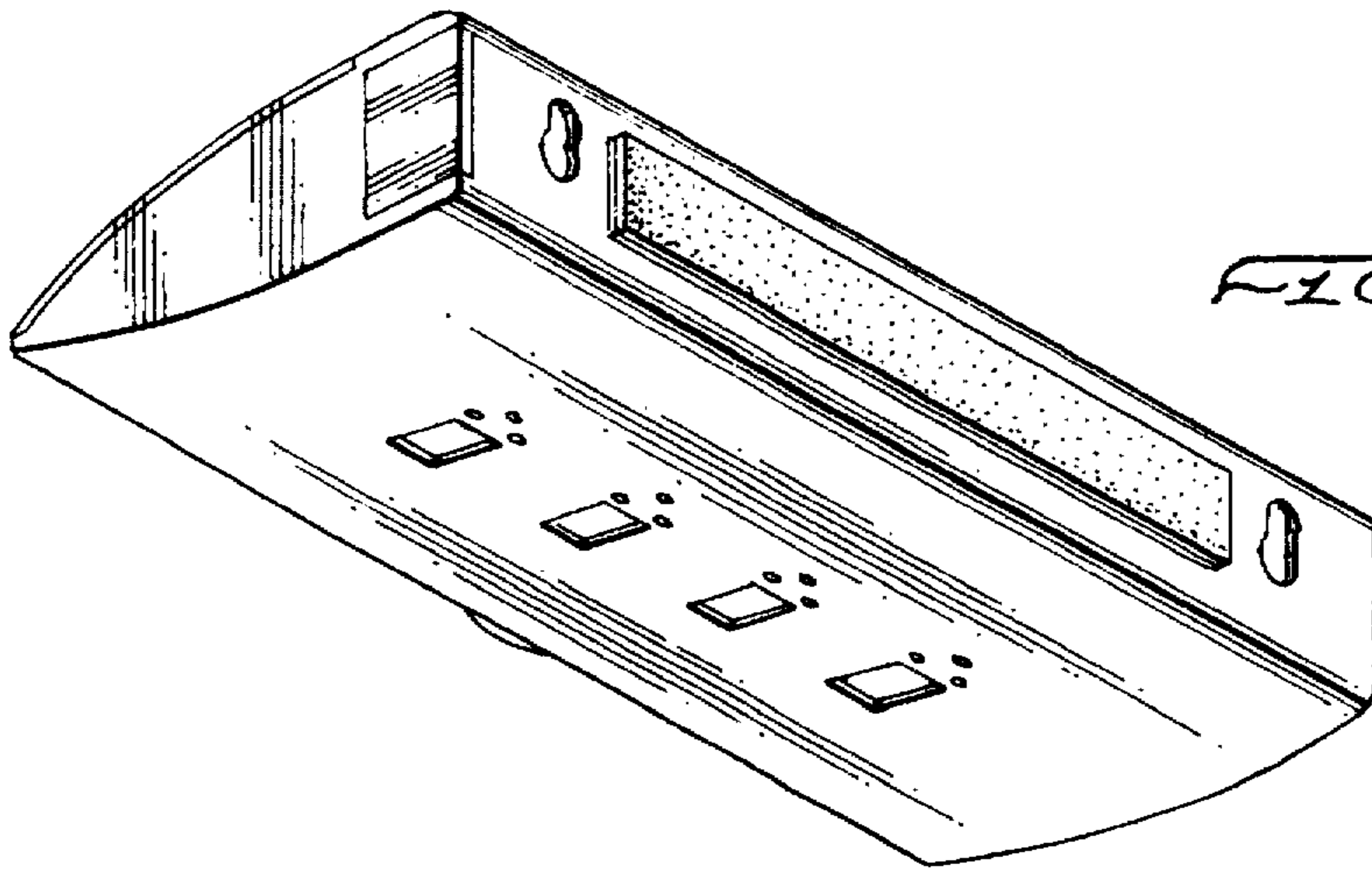


FIG. 9

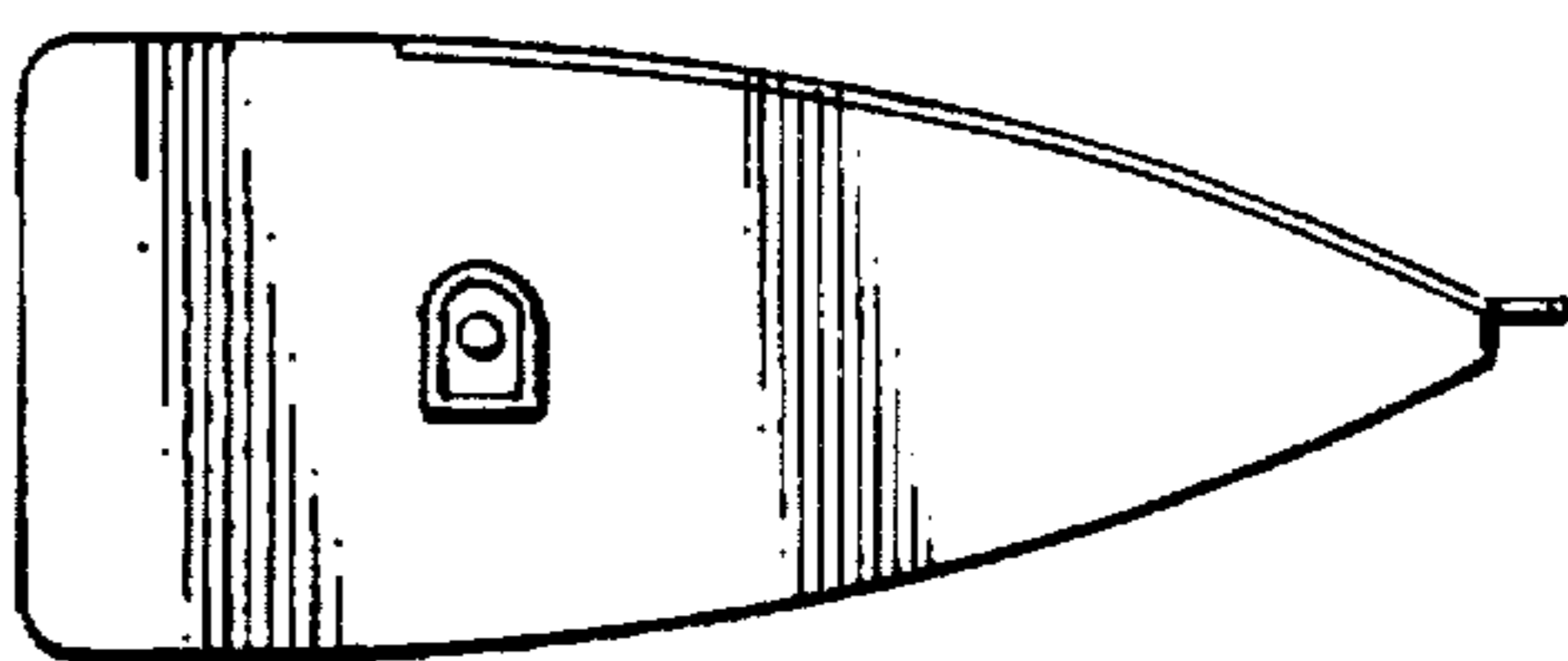
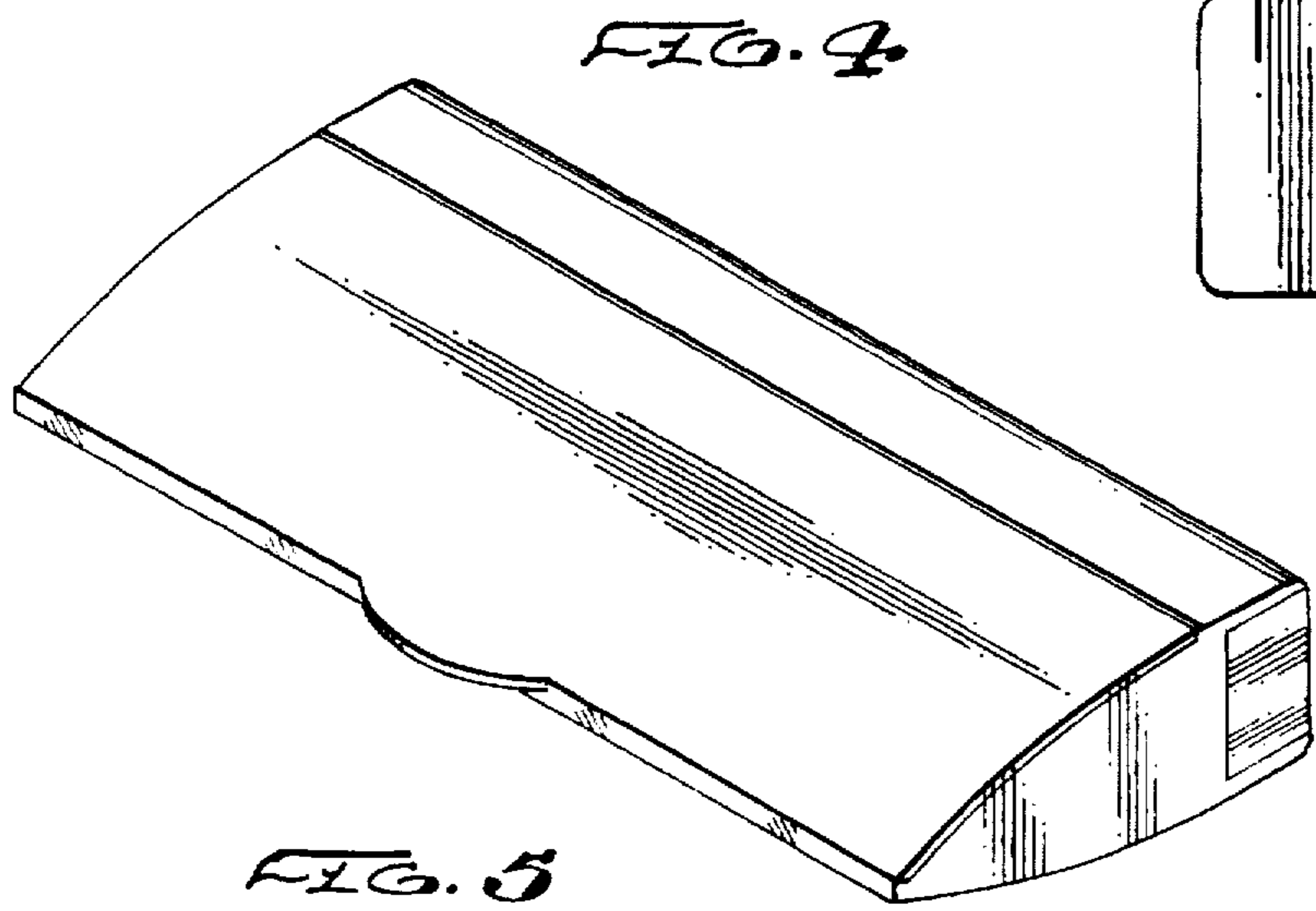


FIG. 6

FIG. 5

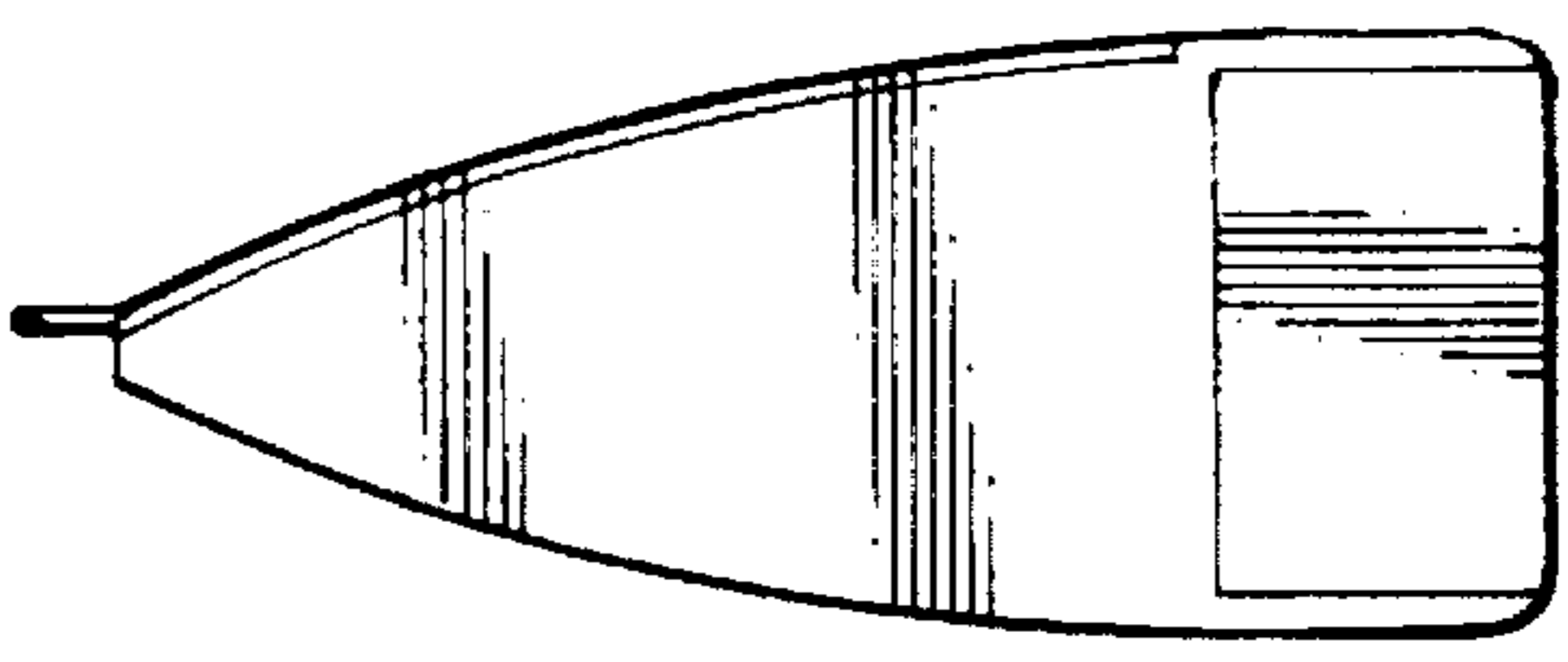
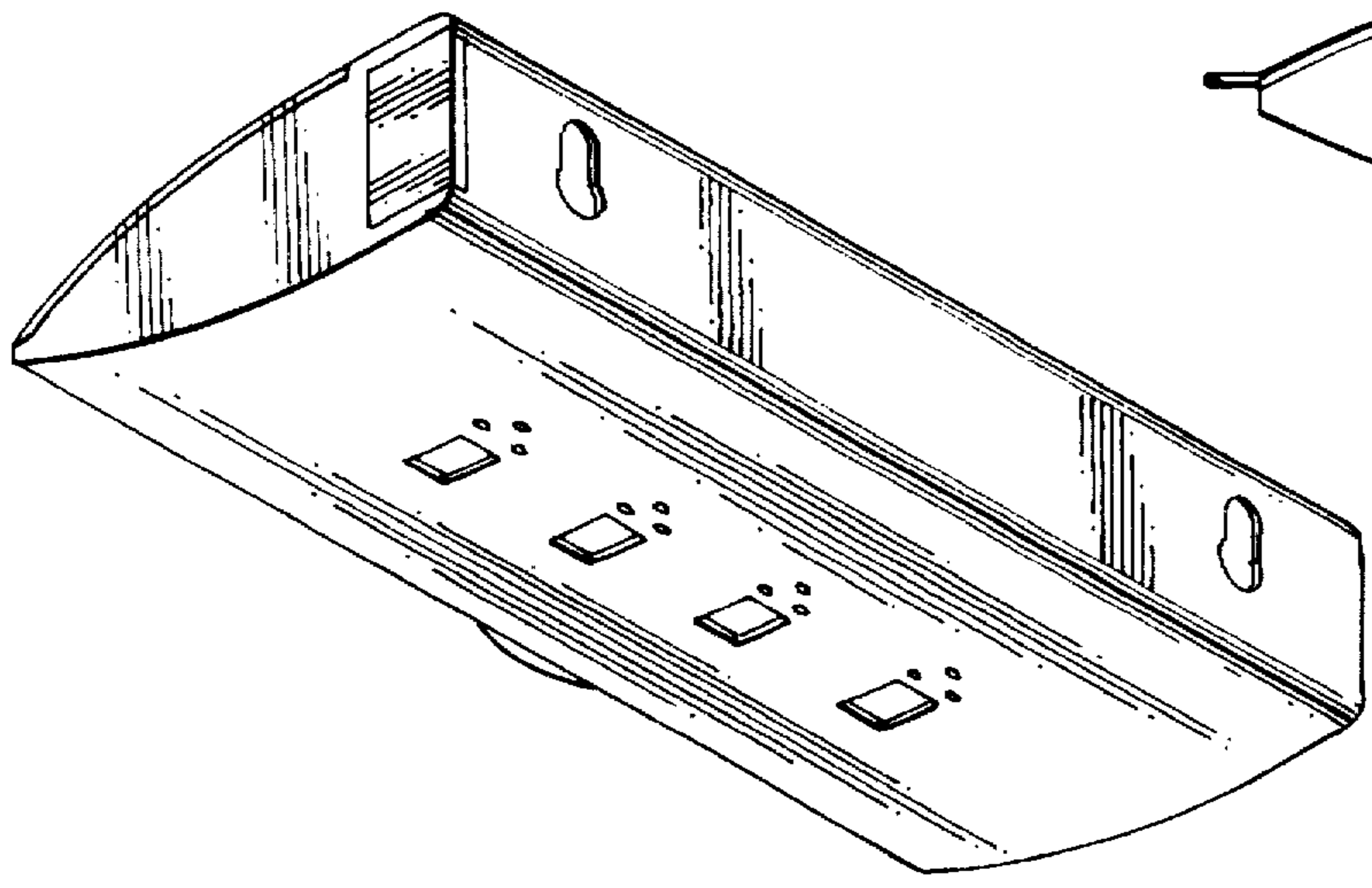


FIG. 7

FIG. 8

