

US00D396762S

United States Patent [19]
Bermillo

[11] **Patent Number: Des. 396,762**

[45] **Date of Patent: **Aug. 11, 1998**

[54] **TOOTHBRUSH HOLDER**

[76] **Inventor: Jeffrey C. Bermillo, 401 Gibbons Ct., Milpitas, Calif. 95035**

[**] **Term: 14 Years**

[21] **Appl. No.: 73,897**

[22] **Filed: Jul. 19, 1997**

[51] **LOC (6) Cl. 07-07**

[52] **U.S. Cl. D6/534**

[58] **Field of Search D6/534, 528, 524;
211/60.1, 70.6, 70.7; 206/209.1, 362.1,
362.2, 362.3**

[56] **References Cited**

U.S. PATENT DOCUMENTS

D. 147,771	10/1947	Wallack	D6/534
D. 253,736	12/1979	Guarino	D6/534
D. 283,961	5/1986	Doyle	D6/534
D. 327,194	6/1992	Merkel	D6/534
5,687,855	11/1997	Heller	211/70.7

Primary Examiner—Brian N. Vinson

[57] **CLAIM**

The ornamental design for a toothbrush holder, as shown and described.

DESCRIPTION

FIG. 1 is a perspective view of a first form of a toothbrush holder showing my new design, the broken-line disclosure of a toothbrush being for illustrative purposes only and forming no part of the claimed design;

FIG. 2 is a front elevation view thereof;

FIG. 3 is a left side elevational view thereof, the side opposite being identical in appearance thereof;

FIG. 4 is a top plan view thereof;

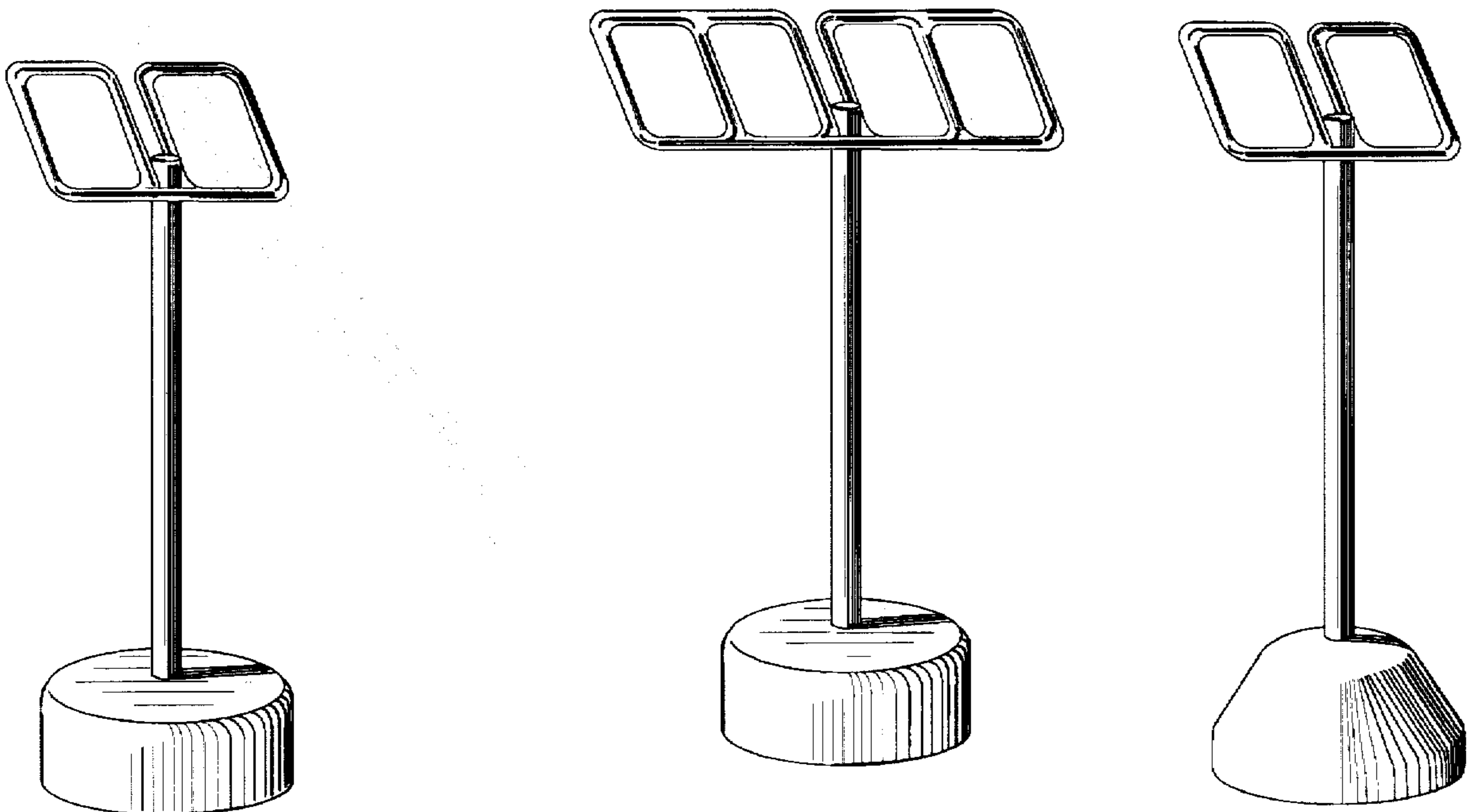
FIG. 5 is a rear elevational view thereof;

FIG. 6 is a bottom plan view thereof;

FIG. 7 is a perspective view of a second embodiment thereof; and,

FIG. 8 is a perspective view of a third embodiment thereof.

1 Claim, 5 Drawing Sheets



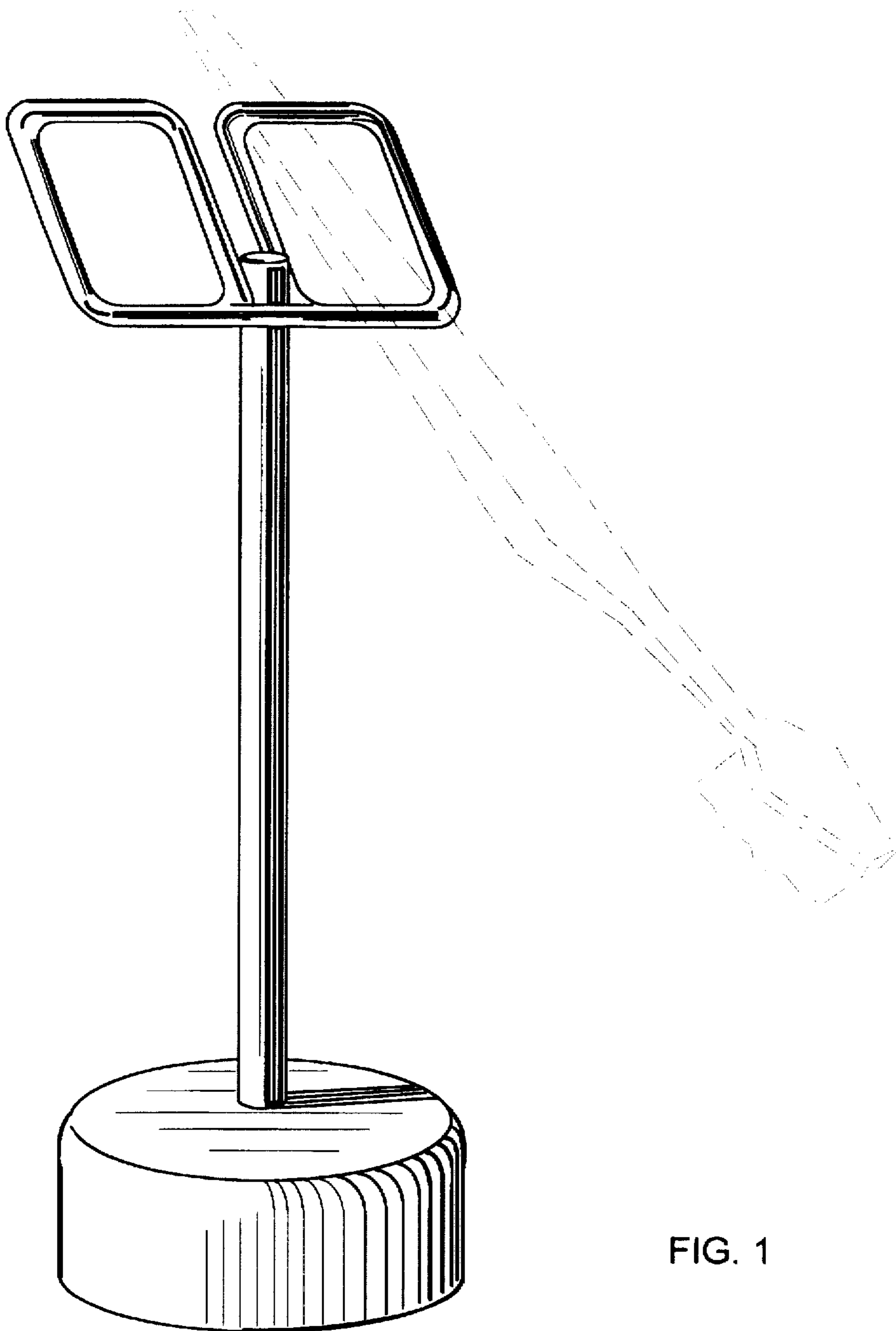


FIG. 1

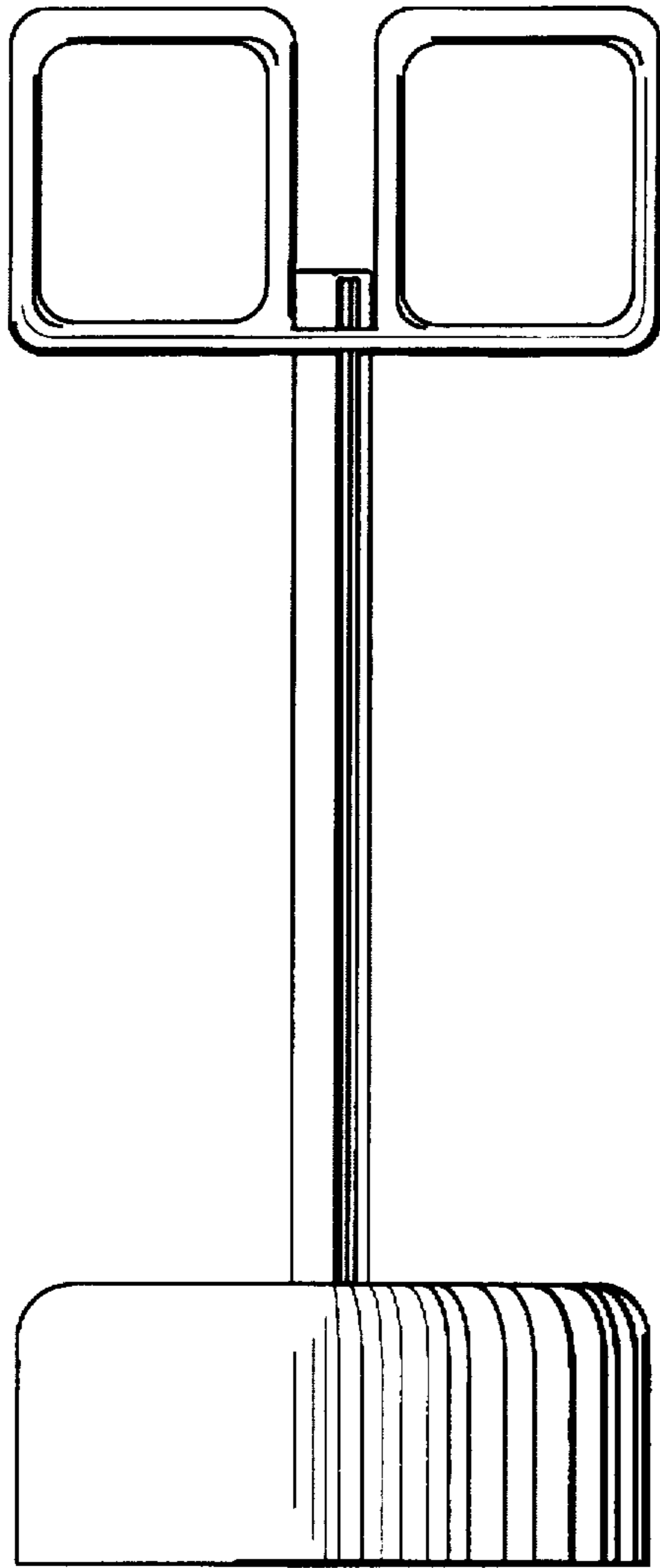


FIG. 2

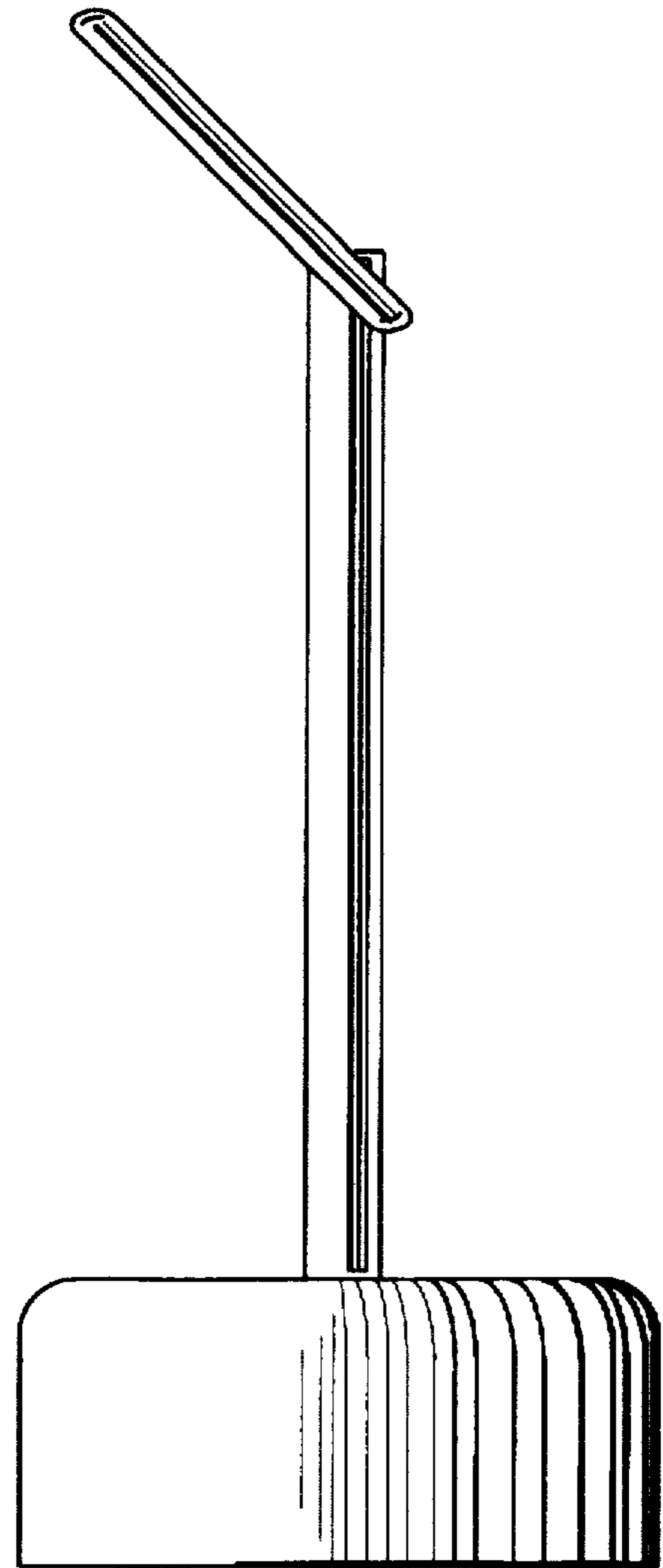


FIG. 3

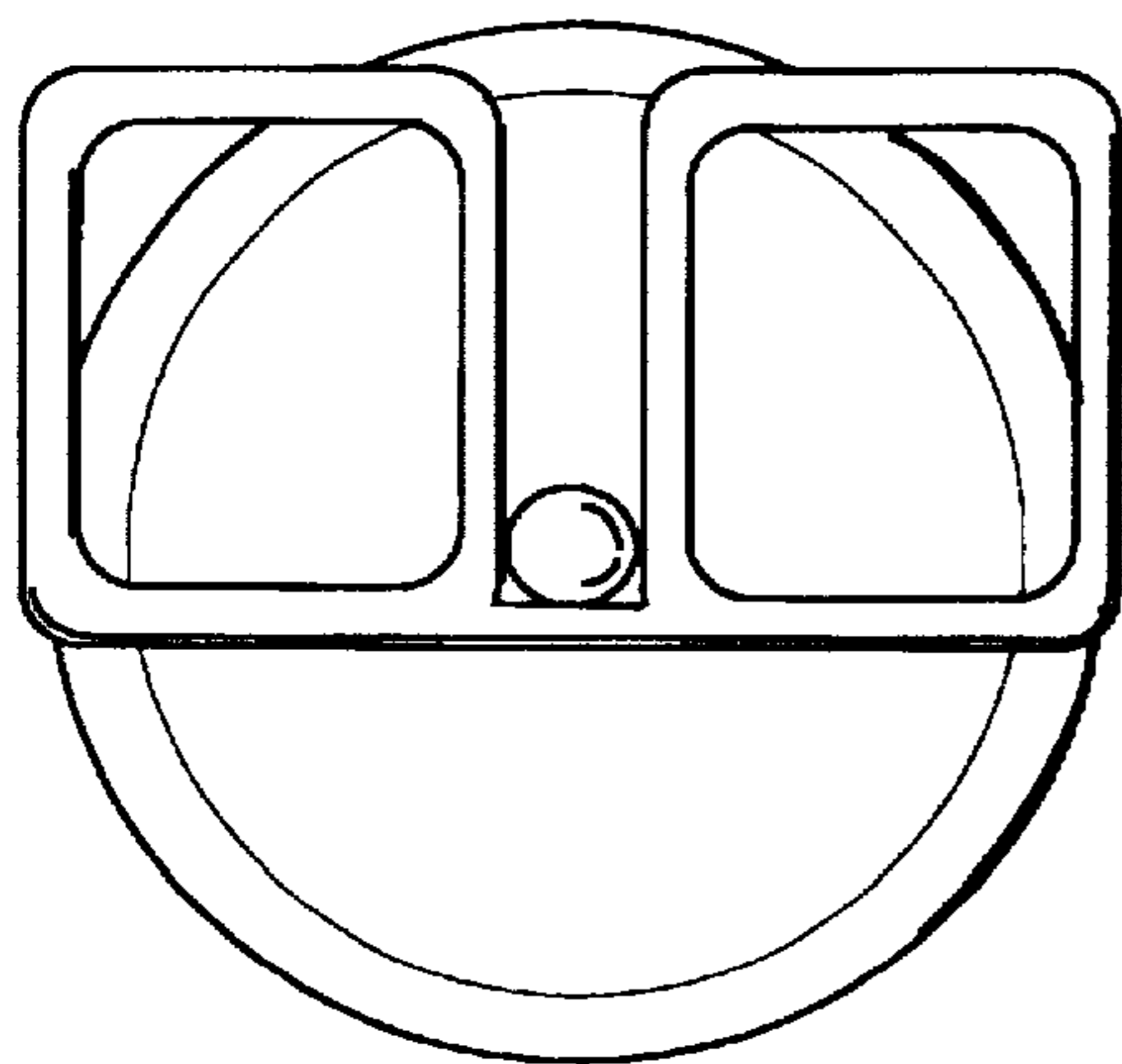


FIG. 4

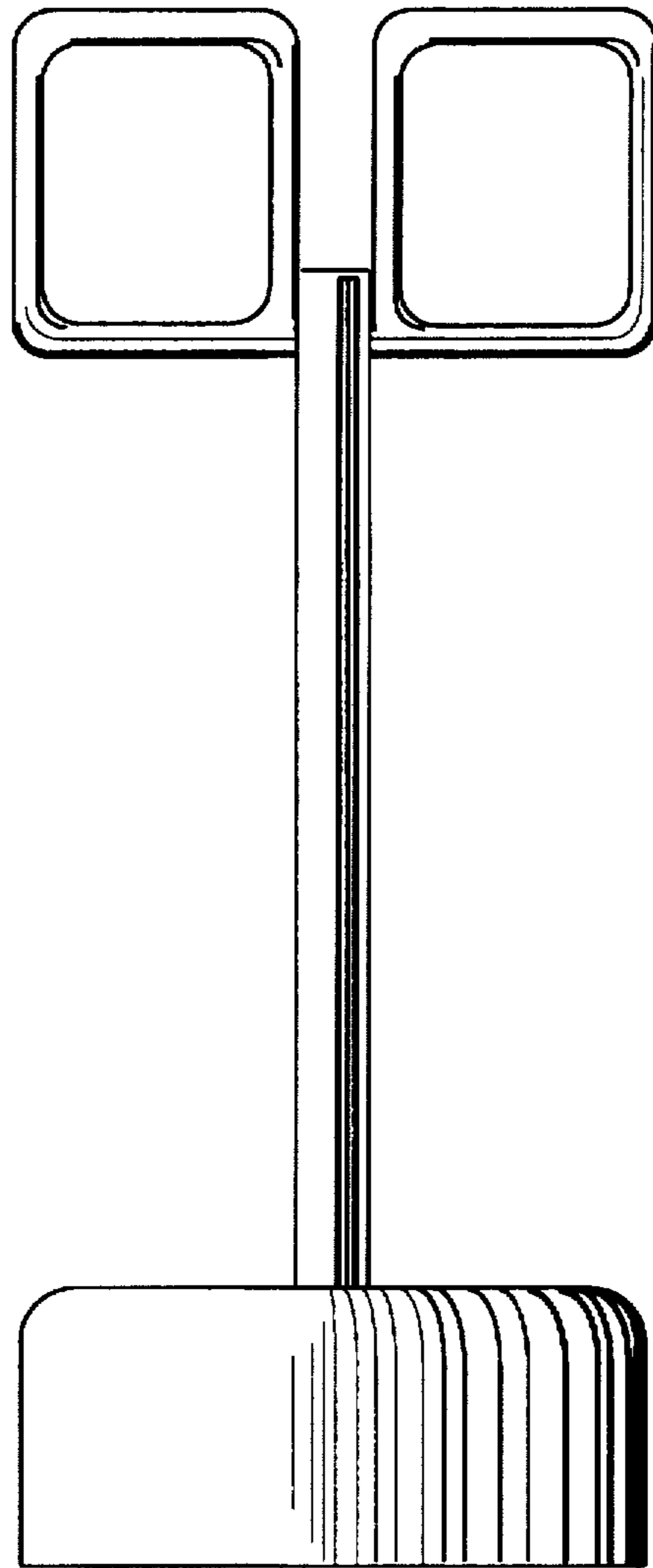


FIG. 5

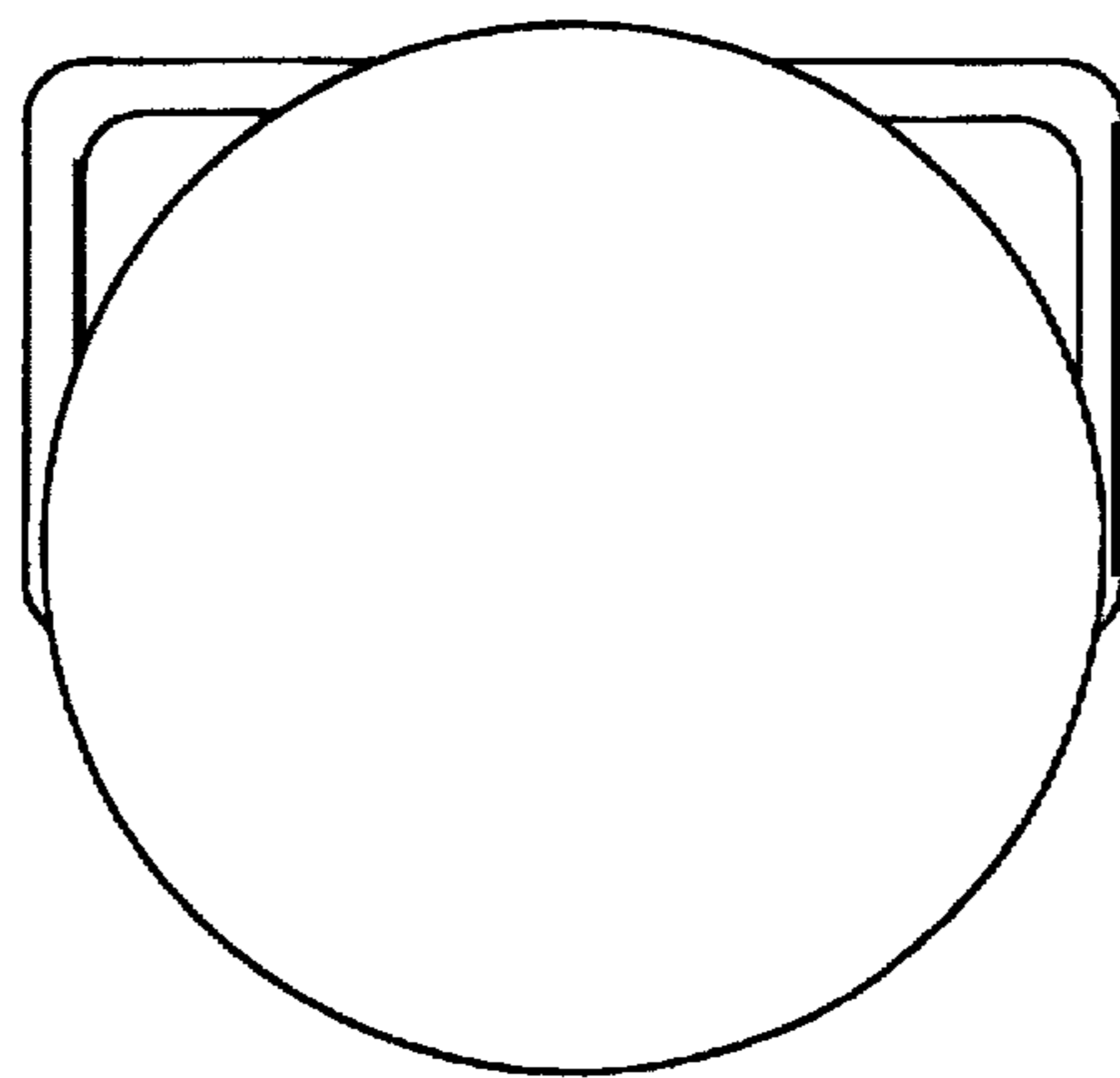


FIG. 6

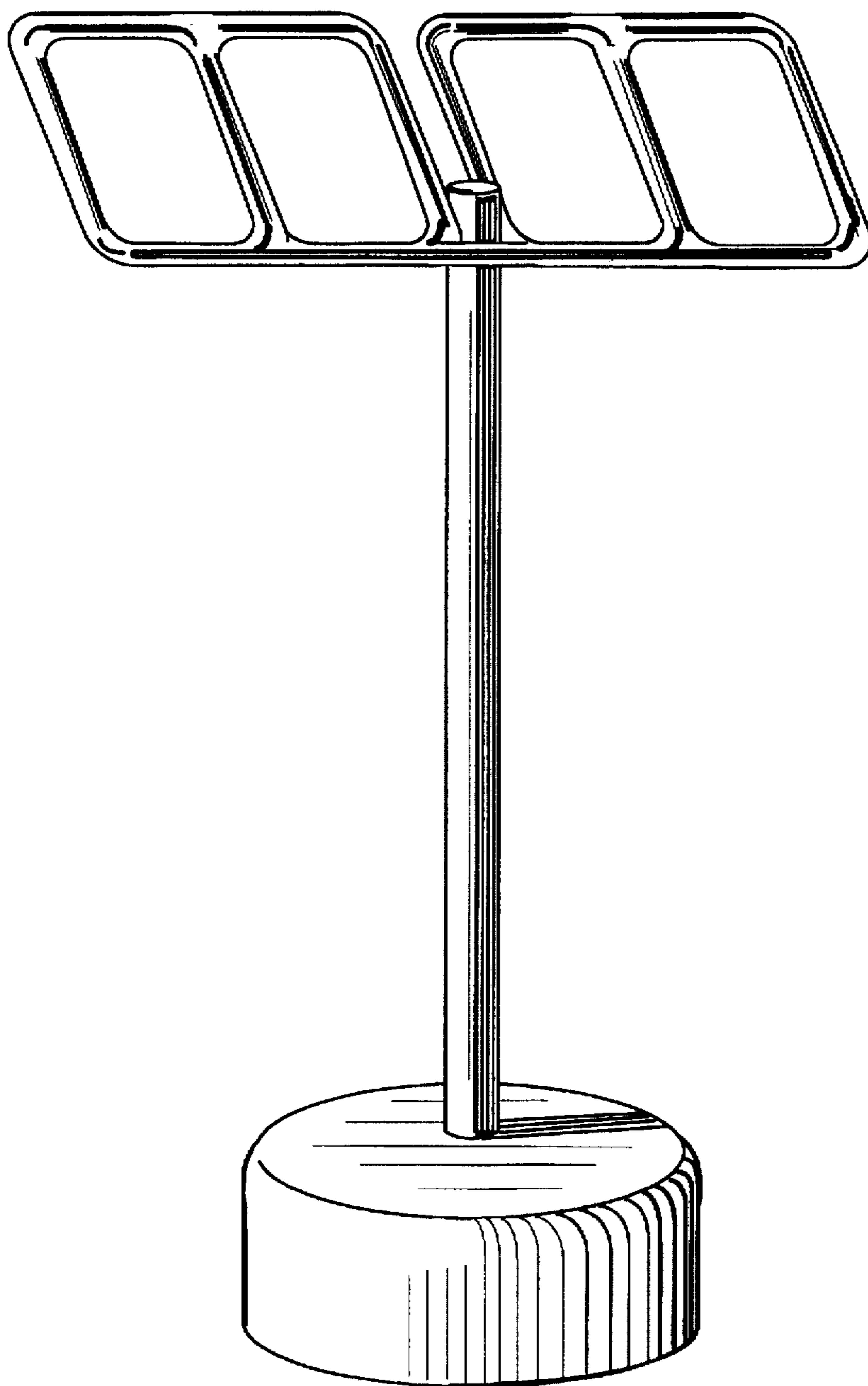


FIG. 7

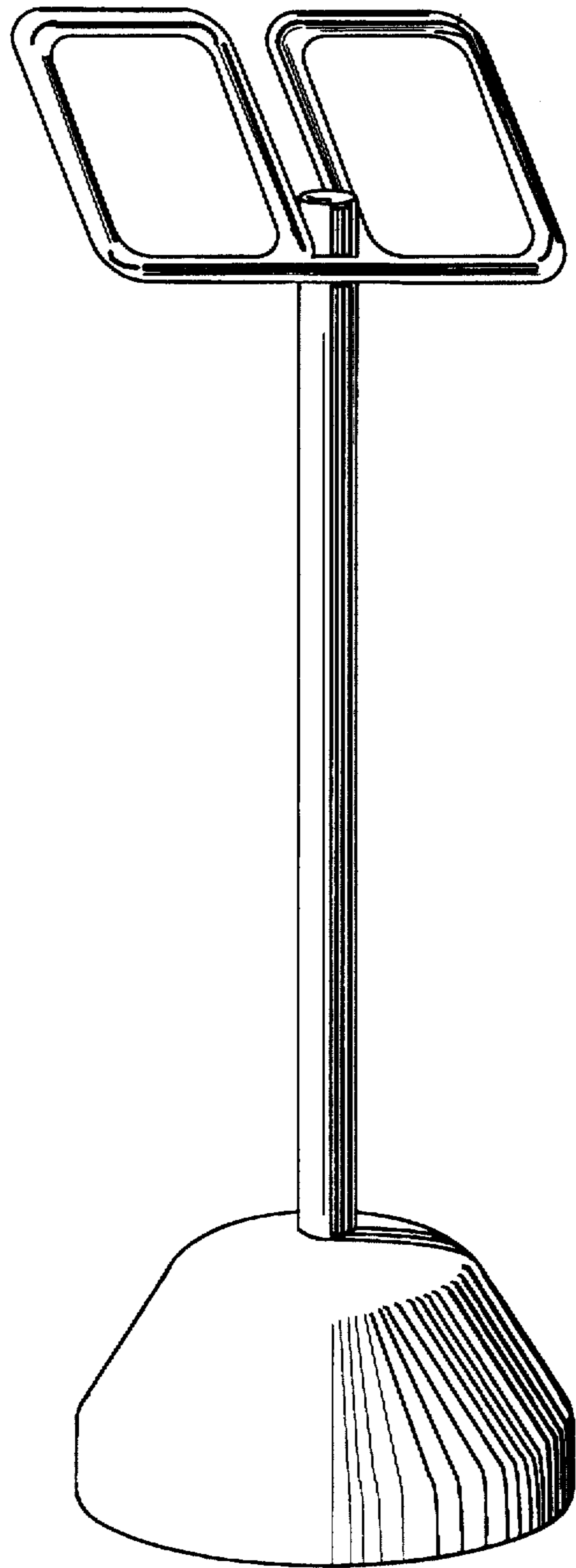


FIG. 8