

US00D396755S

# United States Patent [19]

Lennox

[11] Patent Number: **Des. 396,755**

[45] Date of Patent: **\*\*Aug. 11, 1998**

[54] **ADJUSTABLE PAINT BRUSH HOLDER DEVICE**

[76] Inventor: **Samuel E. Lennox**, 741 NW. 39th Ave., Fort Lauderdale, Fla. 33311

[\*\*] Term: **14 Years**

[21] Appl. No.: **46,002**

[22] Filed: **Nov. 3, 1995**

[51] LOC (6) Cl. .... **04-99**

[52] U.S. Cl. .... **D4/199**

[58] Field of Search ..... D4/199; D8/396, D8/394; 15/144.1, 146, 172, 246; 248/111; 403/58, 73

[56] **References Cited**

**U.S. PATENT DOCUMENTS**

D. 299,693 2/1989 Wick ..... D4/199 X  
936,150 10/1909 Nelson ..... 15/144.1 X

2,469,050 5/1949 Mygas ..... 15/144.1  
2,817,866 12/1957 Don ..... 15/146  
3,319,280 5/1967 Traschler ..... 15/146  
4,715,080 12/1987 Rydzicki ..... 15/146

*Primary Examiner*—Alan P. Douglas  
*Assistant Examiner*—Lavone D. Tabor

[57] **CLAIM**

The ornamental design for an adjustable paint brush holder device, as shown and described.

**DESCRIPTION**

FIG. 1 is a front elevational view of the adjustable paint brush holder device showing my new design; FIG. 2 is a rear elevational view thereof; FIG. 3 is a right view thereof; FIG. 4 is a left view thereof; FIG. 5 is a top plan view thereof; and, FIG. 6 is a bottom plan view thereof.

**1 Claim, 3 Drawing Sheets**

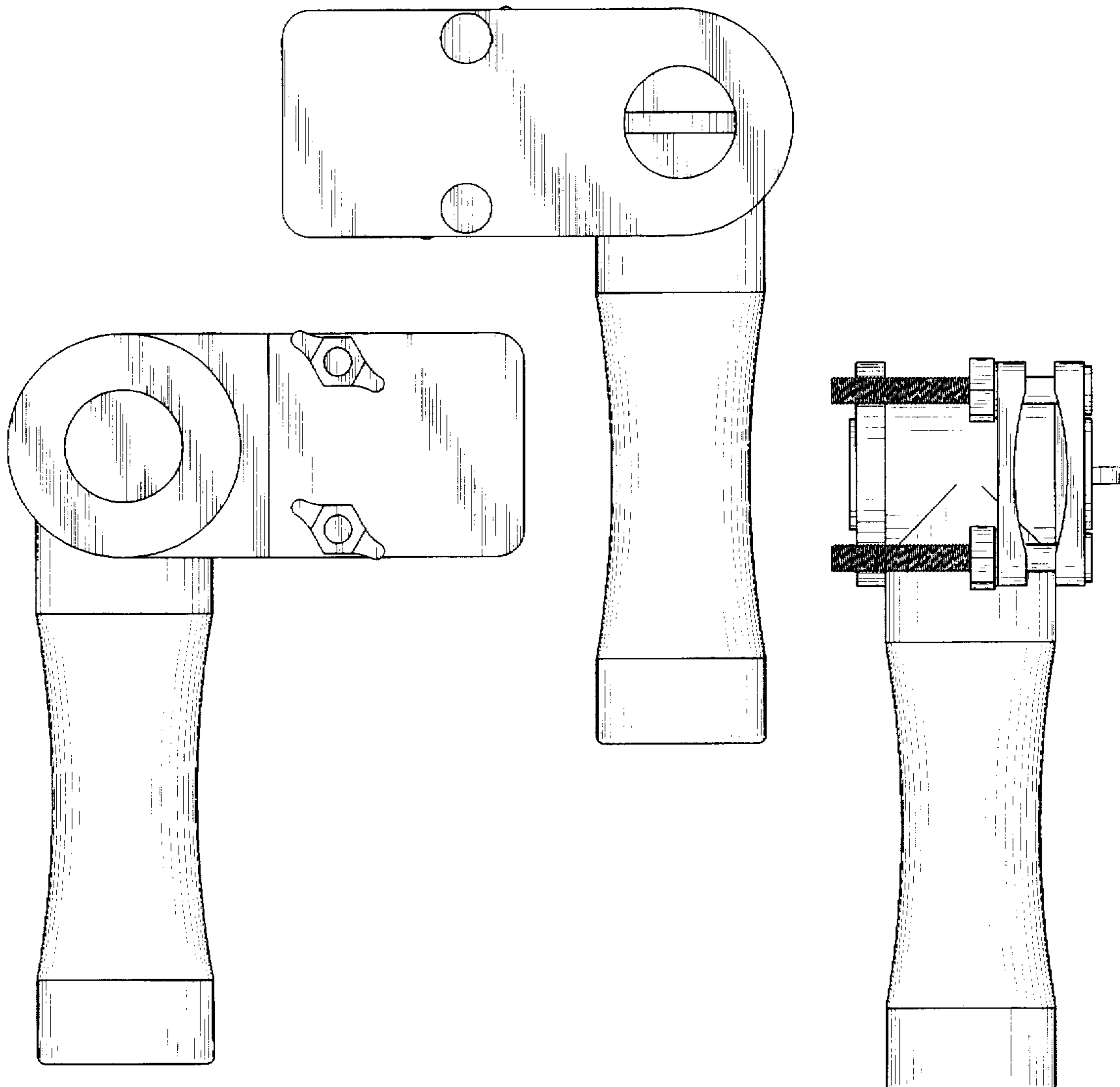


FIG. 1

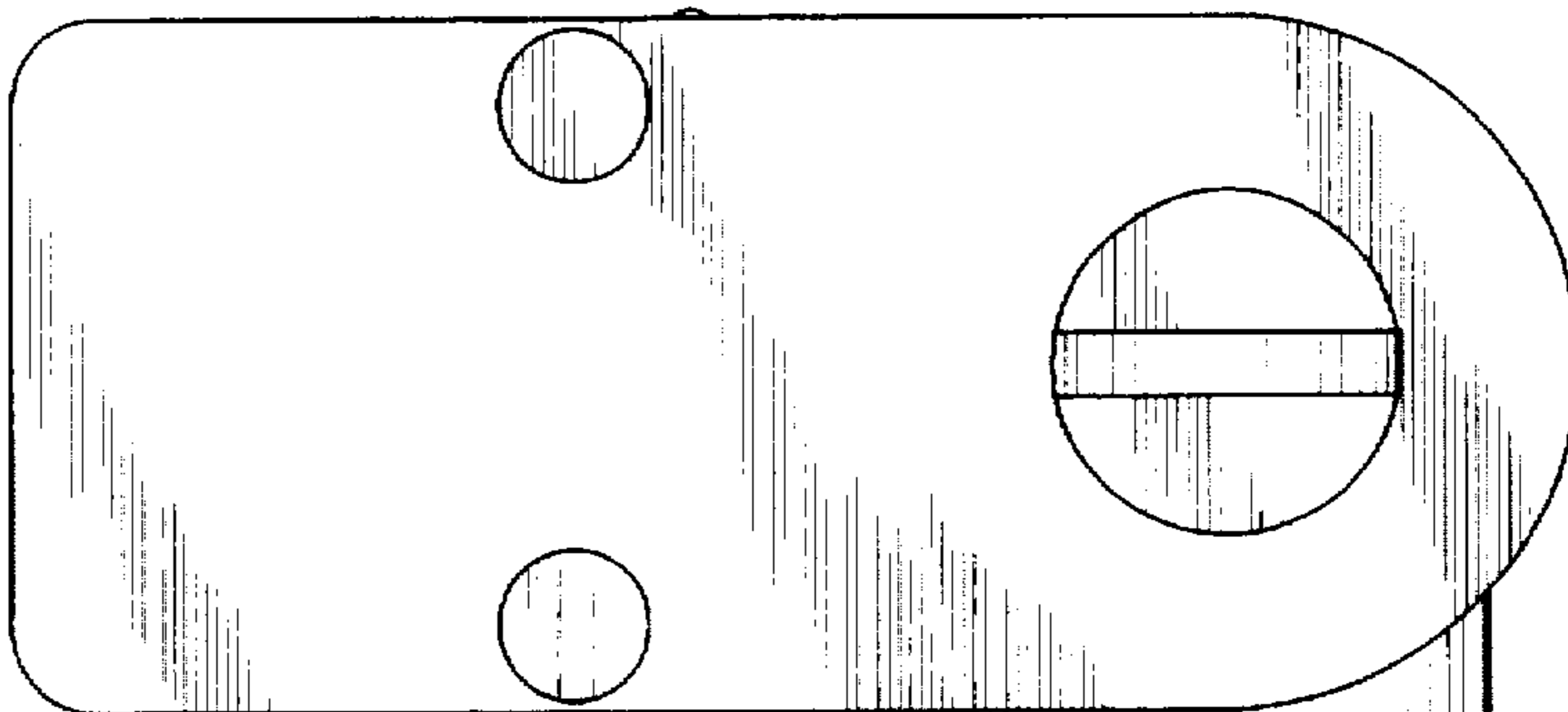


FIG. 2

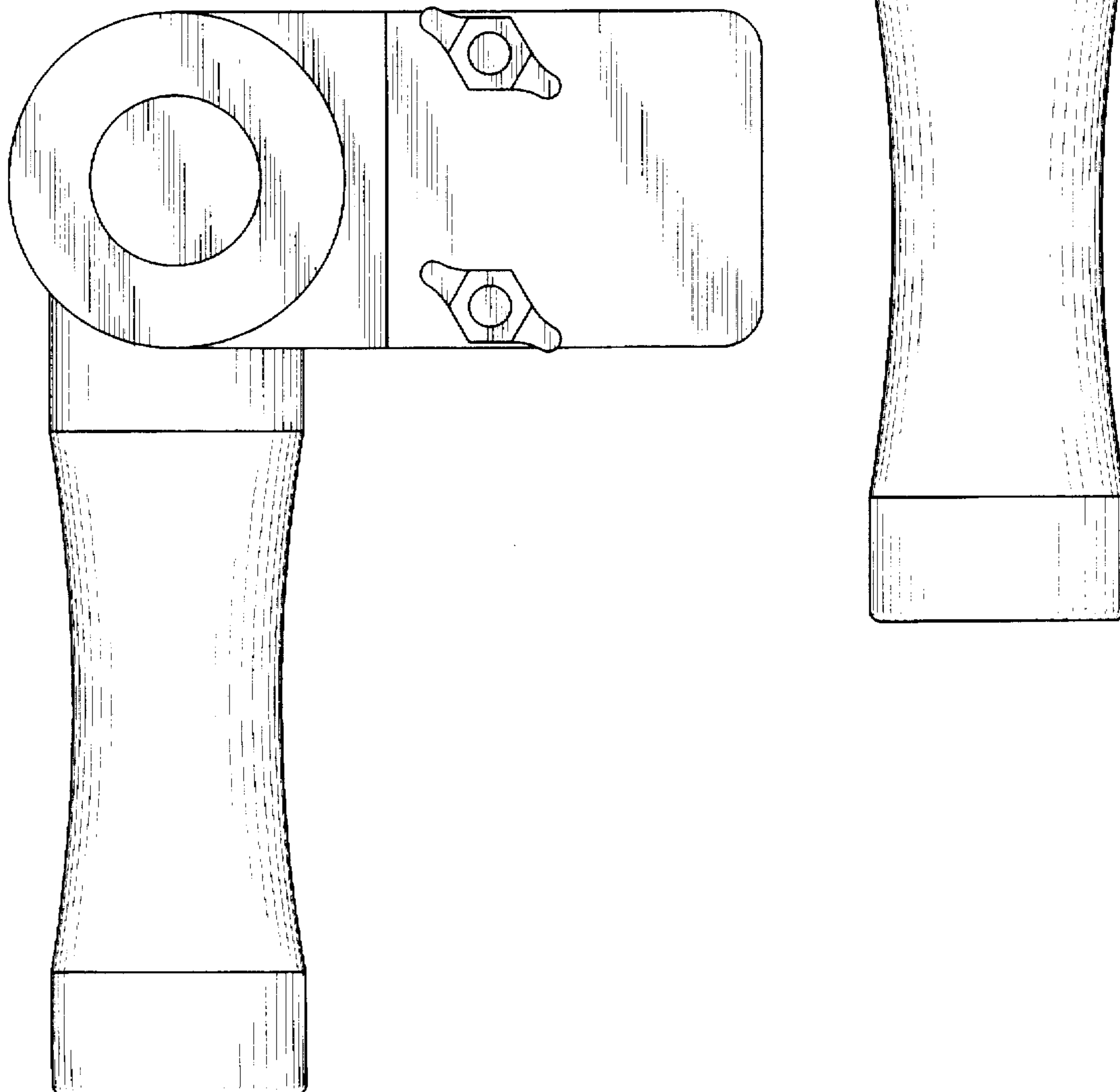


FIG. 3

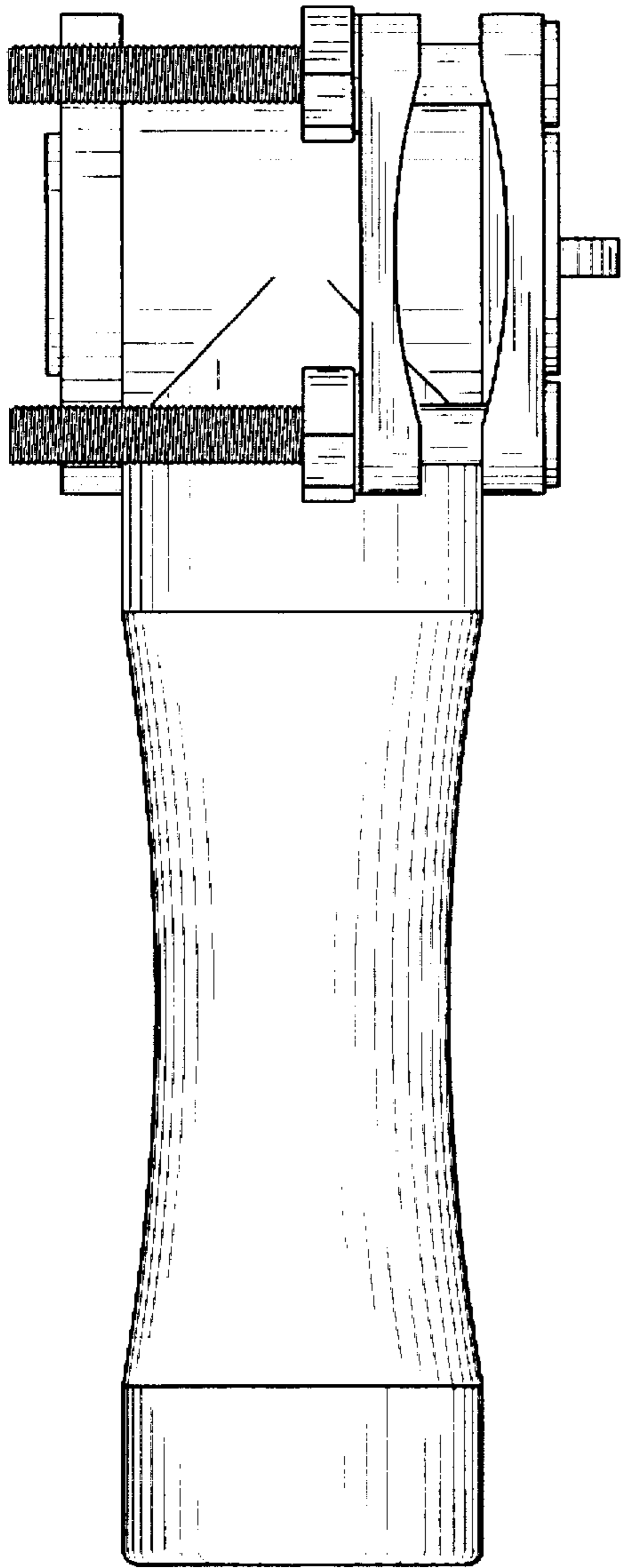


FIG. 4

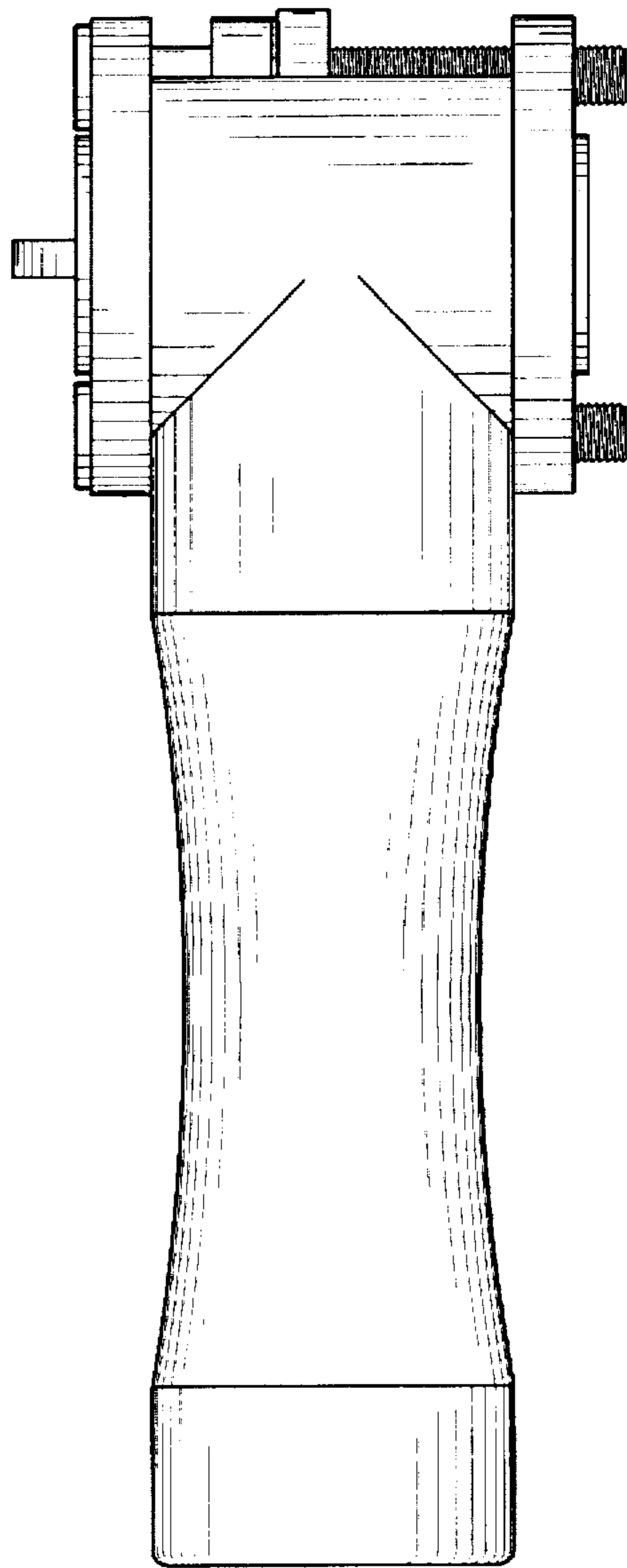


FIG. 5

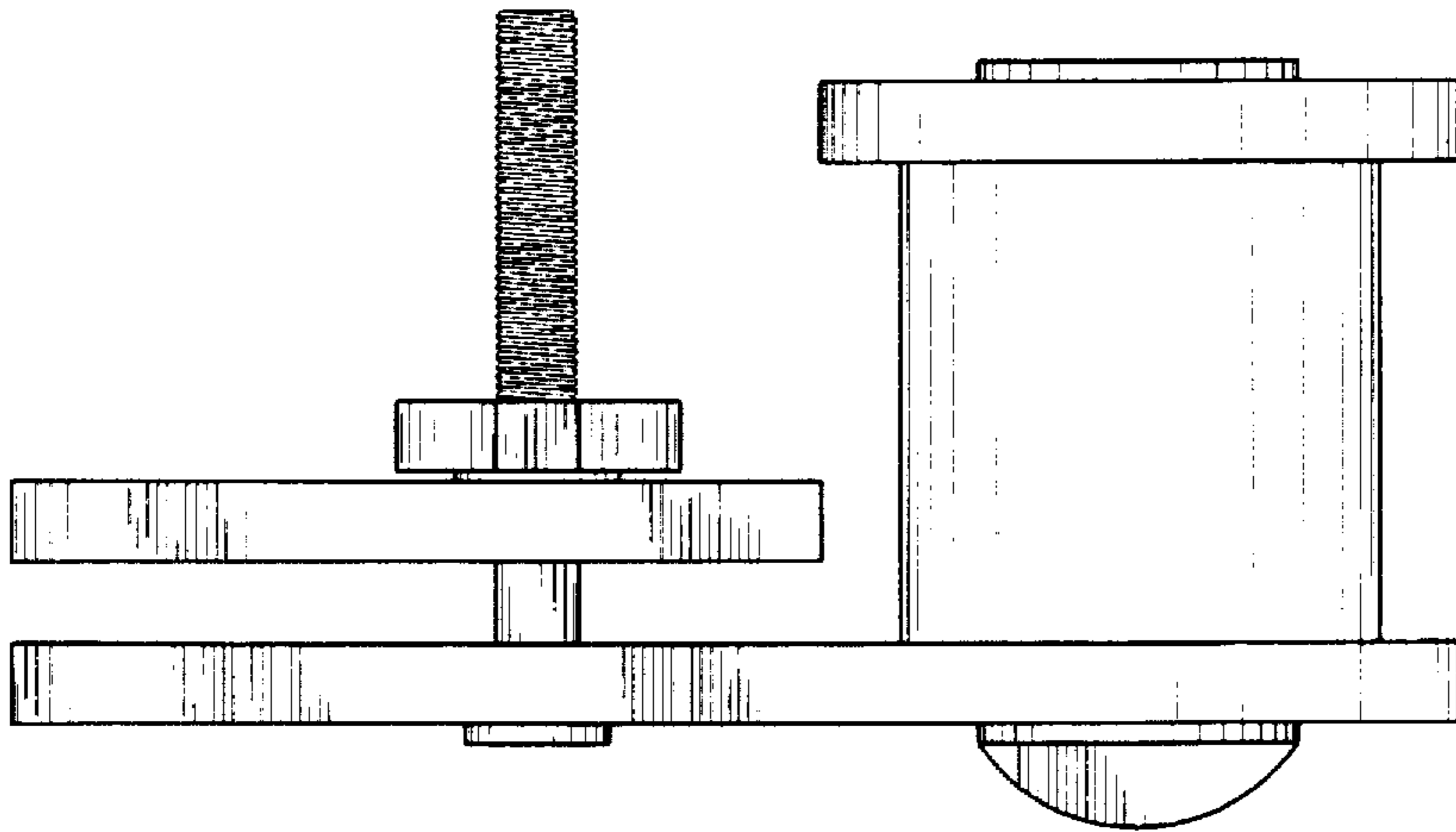


FIG. 6

